



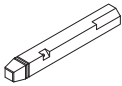





ASSEMBLY INSTRUCTIONS

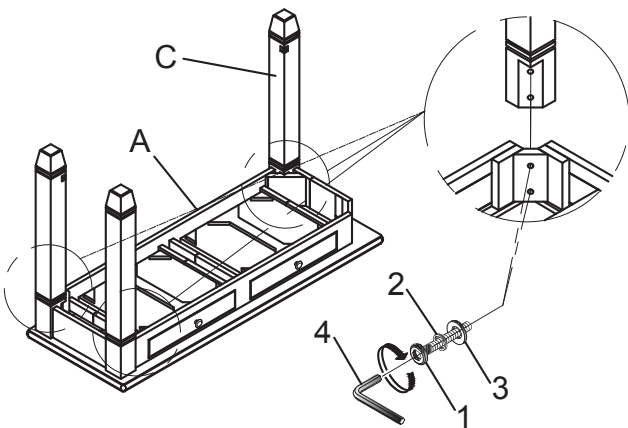
Thank you for purchasing this product. Please take time to read and follow the instructions below. Check that you have all parts and hardware before assembly. Parts apparently missing are often found in the packing materials. If you do not have all the parts listed, have your dealer contact us and they will be sent to you immediately.



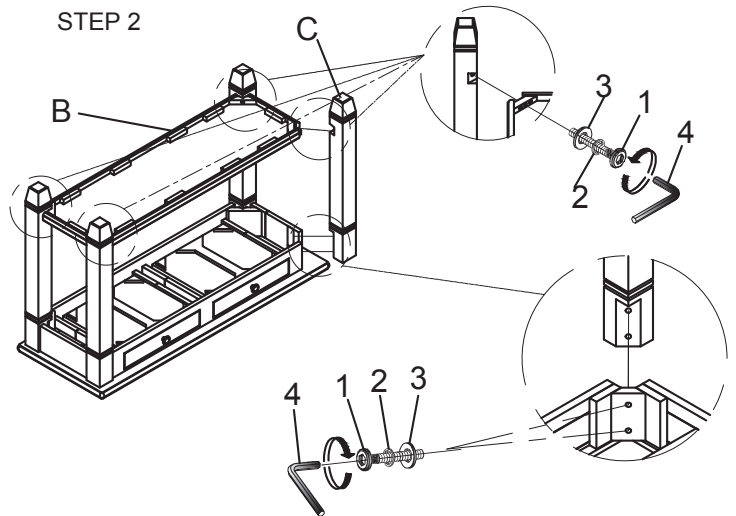
It is recommended to install protective pads under all legs and support to avoid damage or scratches when placing furniture on a wood floor or other hard surface, and to limit indentation and prevent discoloration if placing on carpet.

| PARTS LIST | | | | HARDWARE LIST | | | |
|------------|--|--------------|---|---------------|---|-------------------------------|----|
| A |  | Table Top | 1 | 1 |  | Bolt Ø5/16" x 64mm | 12 |
| B |  | Bottom Panel | 1 | 2 |  | Lock Washer 5/16" | 12 |
| C |  | Table Legs | 4 | 3 |  | Flat Washer Ø5/16" x Ø19mm | 12 |
| | | | | 4 |  | Allen Key 57mm x 4mm | 1 |
| | | | | 5 |  | Tipping restraint | 1 |

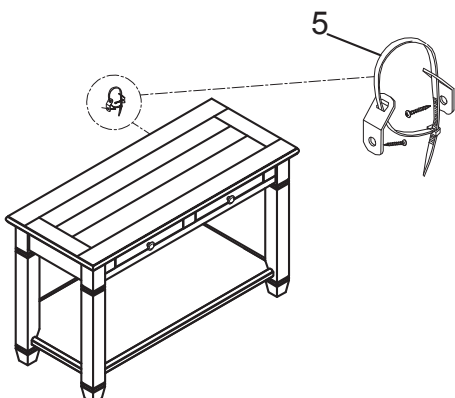
STEP 1



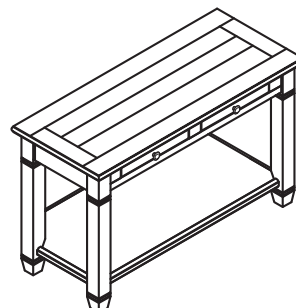
STEP 2



STEP 3



DO NOT TIGHTEN BOLTS UNTIL COMPLETELY ASSEMBLED.



Assembly completed