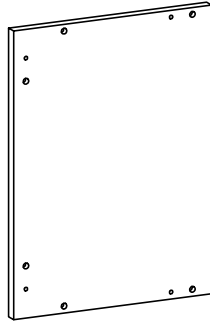
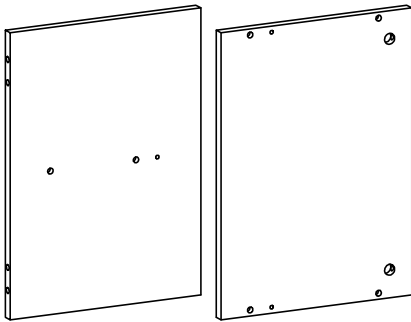


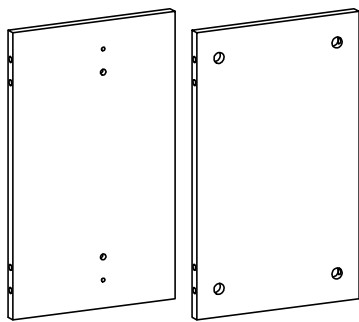
Ax1



Bx1



Cx1



Dx1



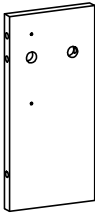
Ex1



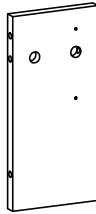
Fx1



Gx1



Hx1



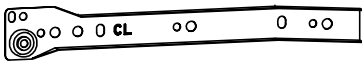
lx1



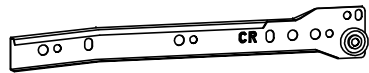
Jx1



Kx2



CLx1



CRx1



DLx1



DRx1



Lx20



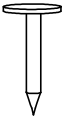
Mx18



Nx20



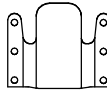
Ox20



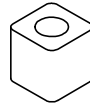
Px11



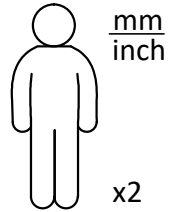
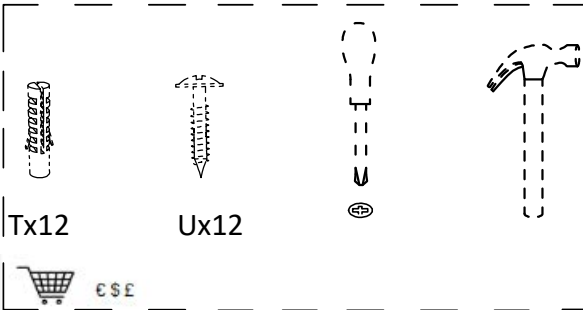
Qx1



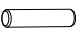
Rx4

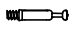


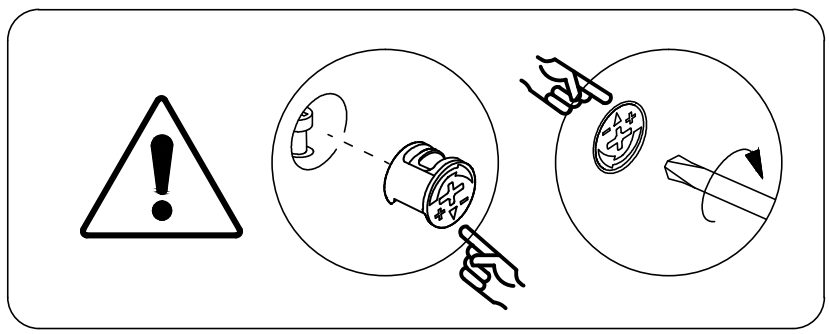
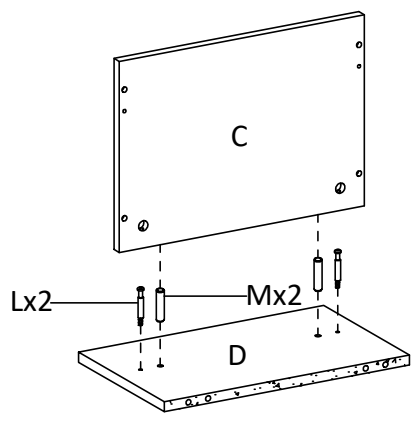
Sx1



①

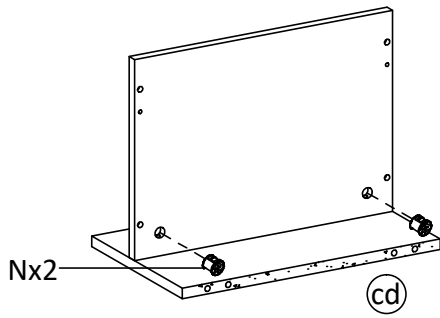
Mx2  


Lx2  




2

Nx2

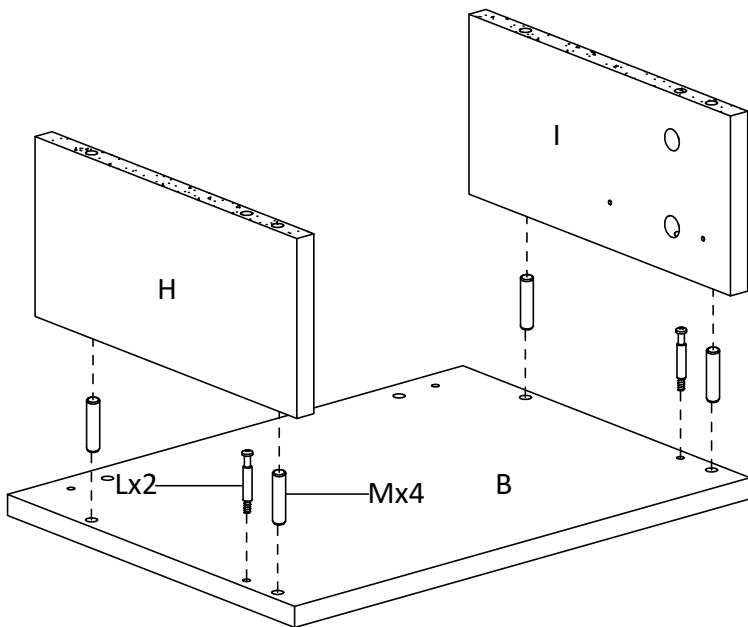


3

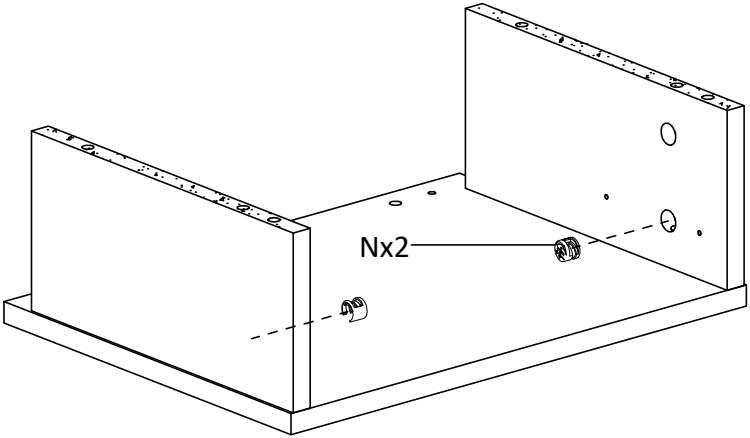
Mx4



Lx2



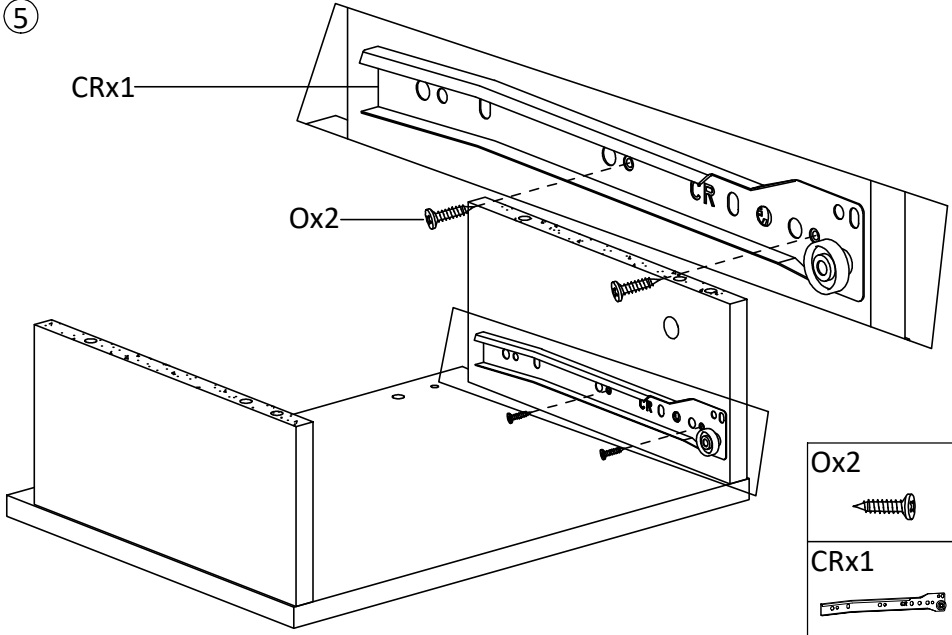
4



Nx2



5



CRx1

Ox2

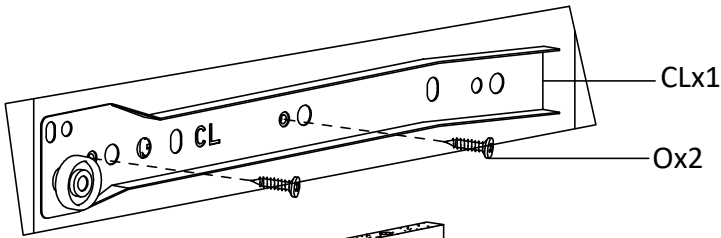
Ox2



CRx1



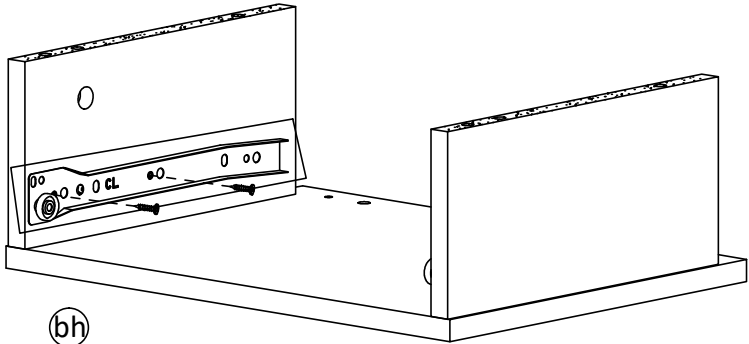
6



Ox2

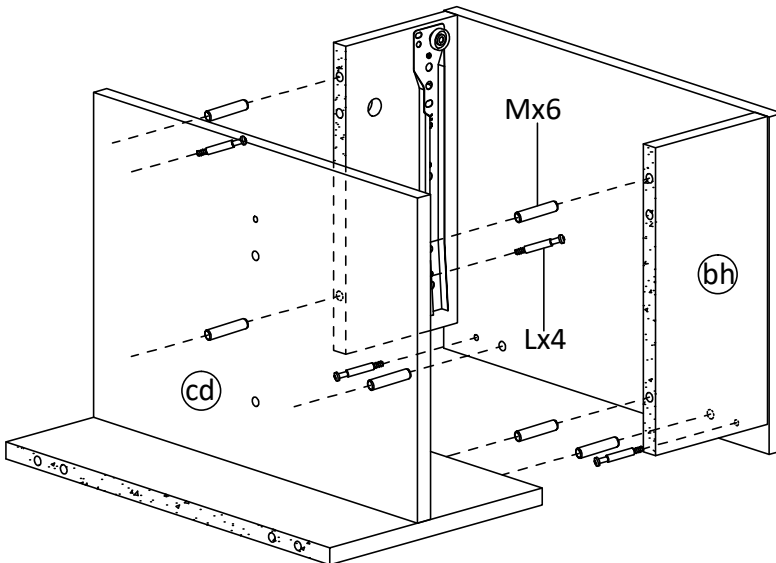


CLx1



bh

7



Mx6

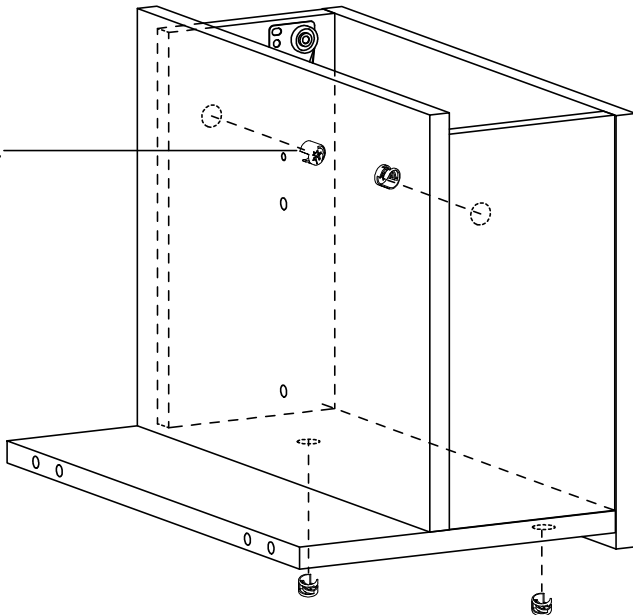


Lx4



8

Nx4



Nx4

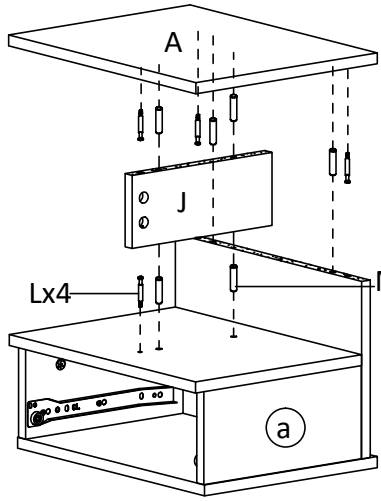


a

9

Lx4

Mx6



Mx6

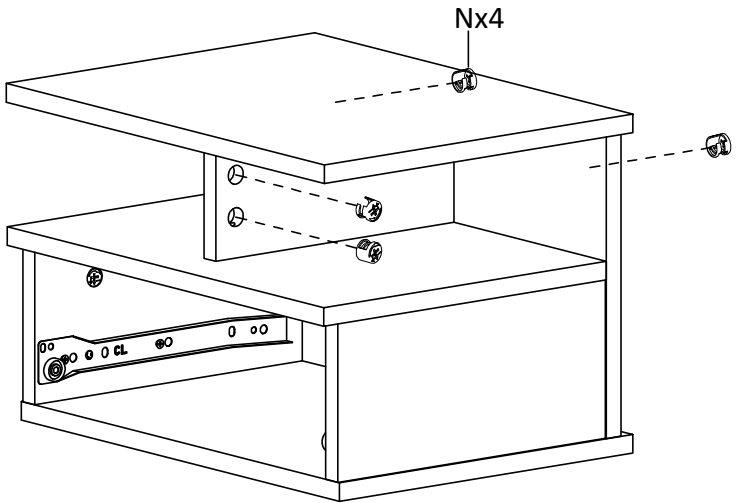


Lx4



a

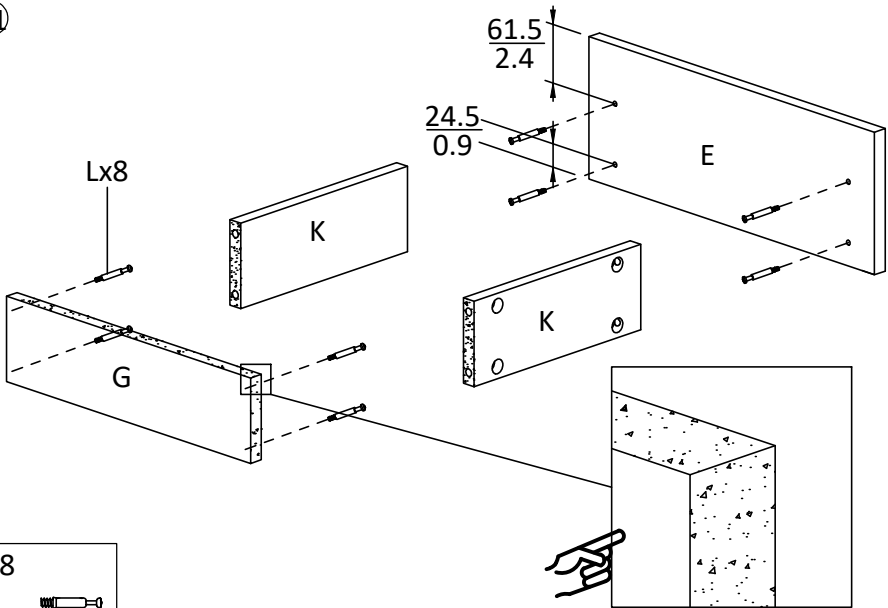
10



Nx4



11



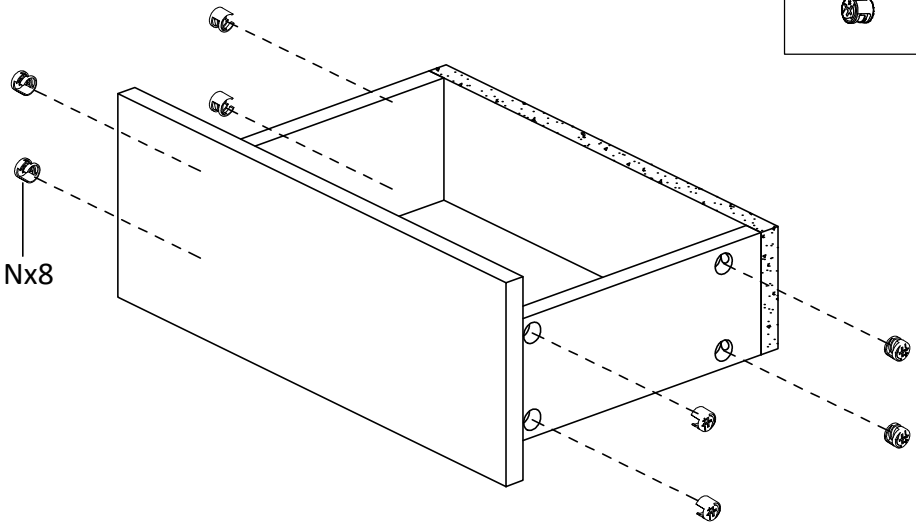
Lx8



Nx8



12

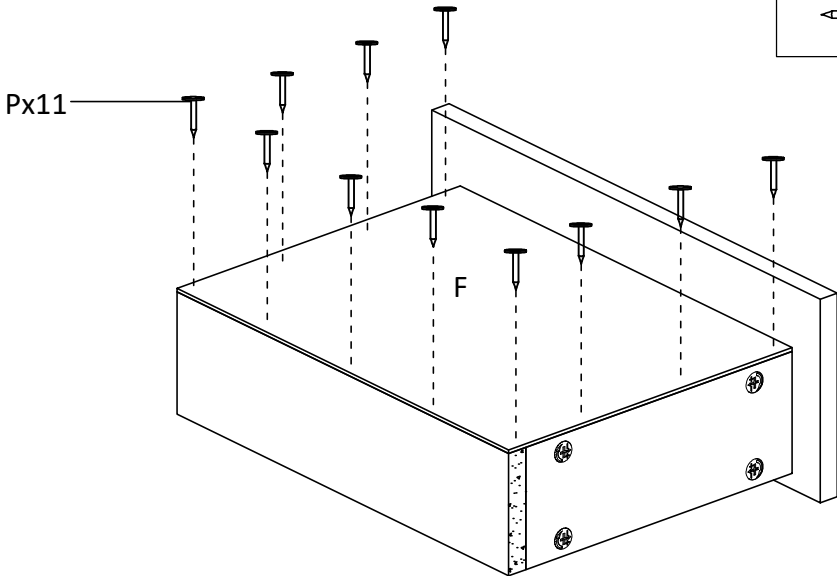


Nx8

Px11



13



Px11

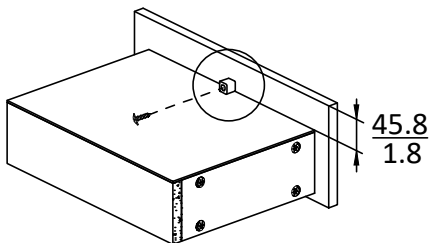
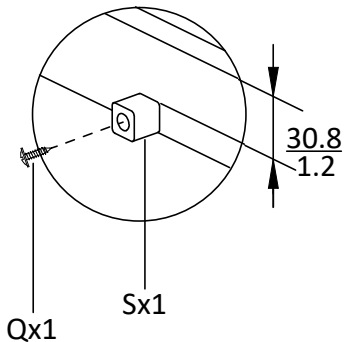
F

14

Sx1



Qx1

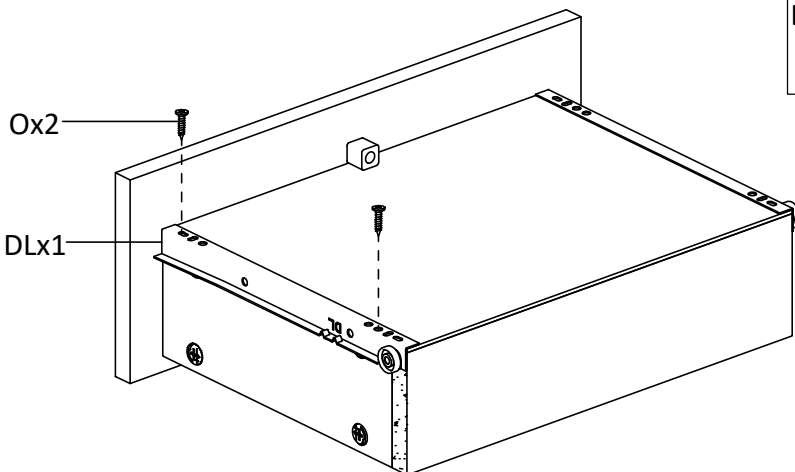


15



Ox2

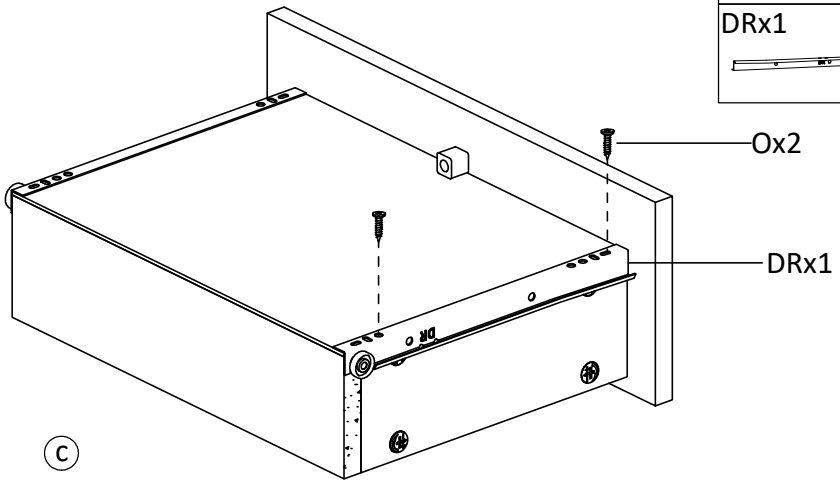


DLx1

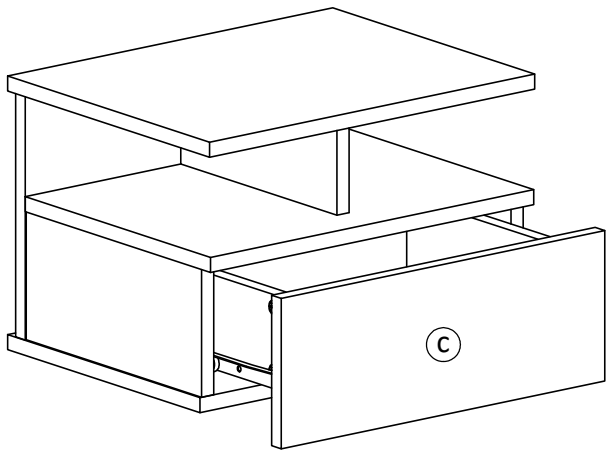


16

- Ox2 
- DRx1 



17

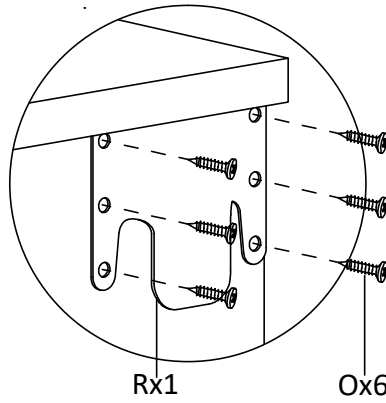


18

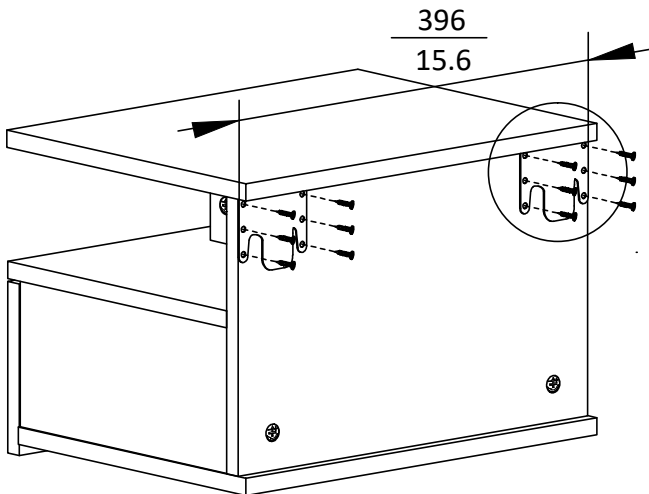
Ox12



Rx22



x2



19

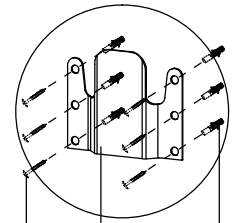
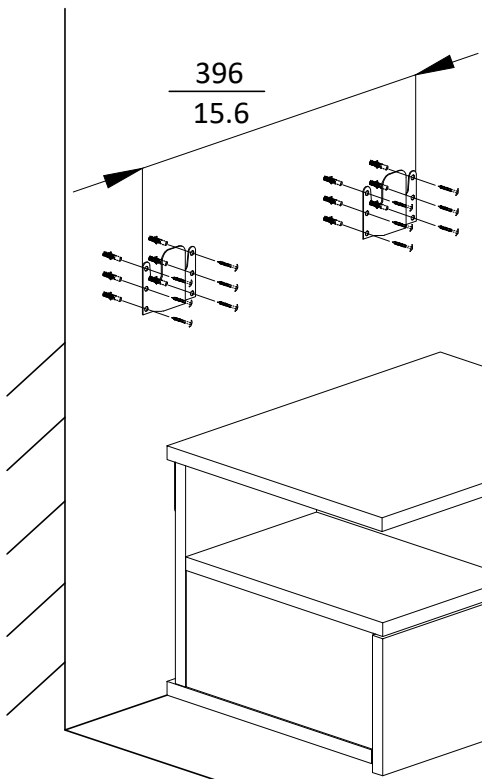
Ux12



Tx12



Rx2



Ux6 Rx1 Tx6

x2

20

