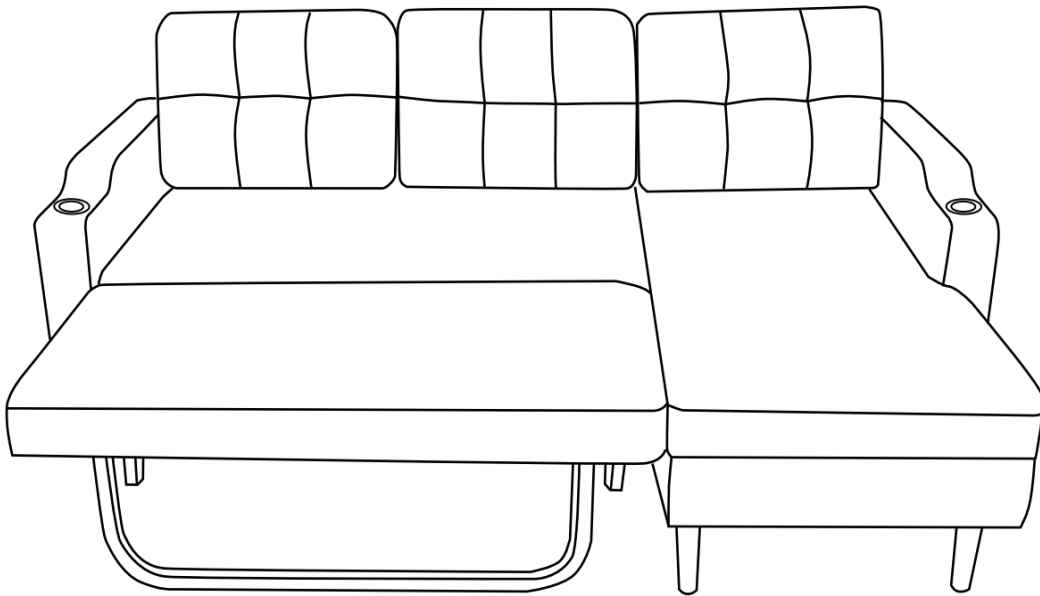


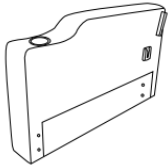
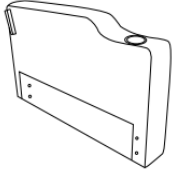
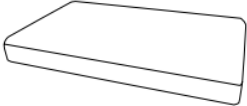
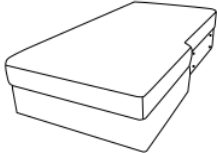
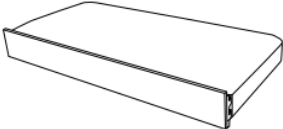





Assembly Instructions

Note: Please help to read my instruction before you ready to assemble.








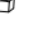

Sofa



Part List

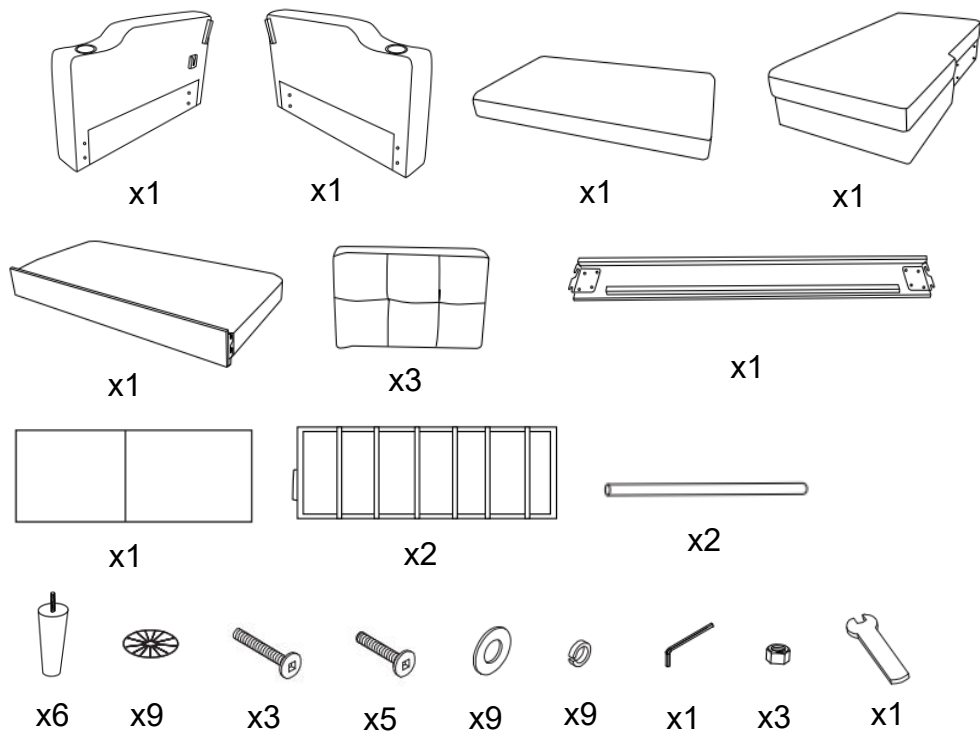
| Label | Picture | Description | QTY (PCS) |
|-------|---|-------------------|-----------|
| A |  | Left Armrest | 1 |
| B |  | Right Armrest | 1 |
| C |  | Loveseat Frame | 1 |
| D |  | Chaise Seat Frame | 1 |
| E |  | Footrest | 1 |
| F |  | Back Cushion | 3 |
| G |  | Back Rail | 1 |
| H |  | Back Fabric Cover | 1 |
| I |  | Back Frame | 2 |
| J |  | Connecting Pipe | 2 |

Hardware

| | | | |
|---|---|----------------|---|
| ① |  | Leg | 6 |
| ② |  | Plastic Washer | 9 |
| ③ |  | Bolt (M6*70mm) | 3 |
| ④ |  | Bolt (M6*50mm) | 5 |
| ⑤ |  | Flat Washer | 9 |
| ⑥ |  | Spring Washer | 9 |
| ⑦ |  | Allen Wrench | 1 |
| ⑧ |  | Nut | 3 |
| ⑨ |  | Spanner | 1 |

Assembly Preparation

All Including:

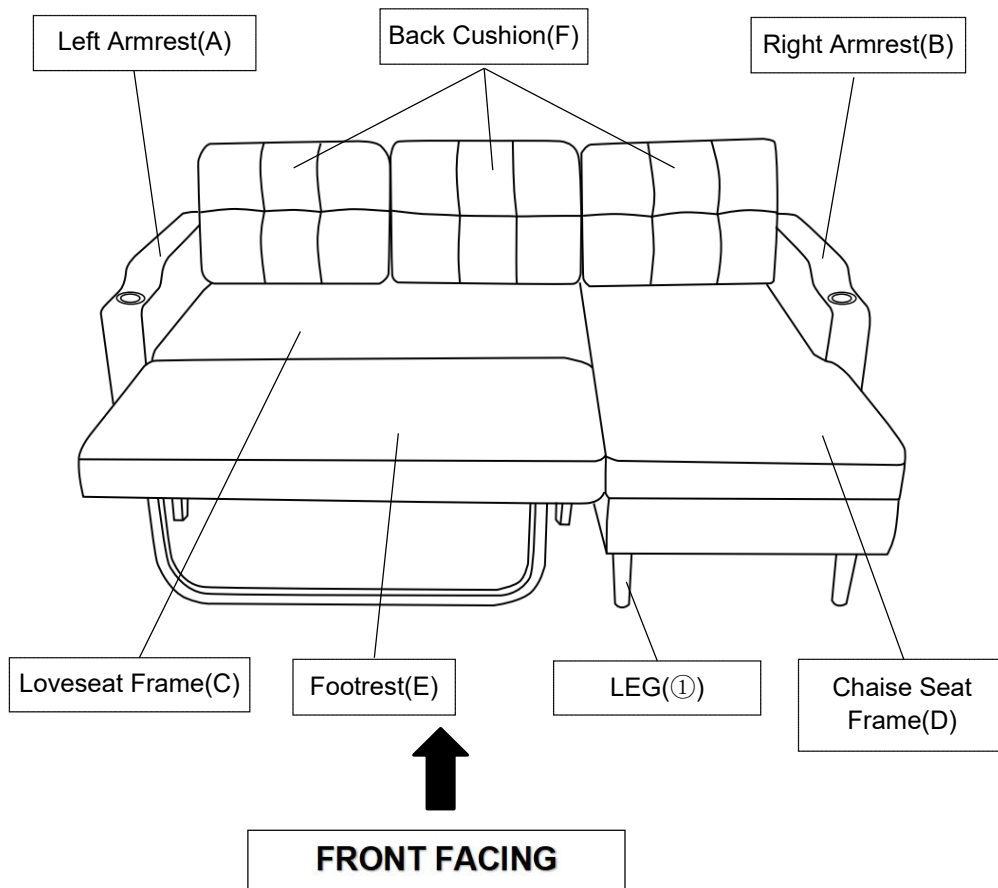


NOTICE:

- Please read the instruction from cover to cover in detail.Thanks.
- Installed by at least two adults
- To avoid damaging your furniture , Please don't assemble on flooring or carpet.
- Please assemble on a clean non-marring surface, example for packing foam.
- Saving all packaging until have finished.

Assembly Steps:

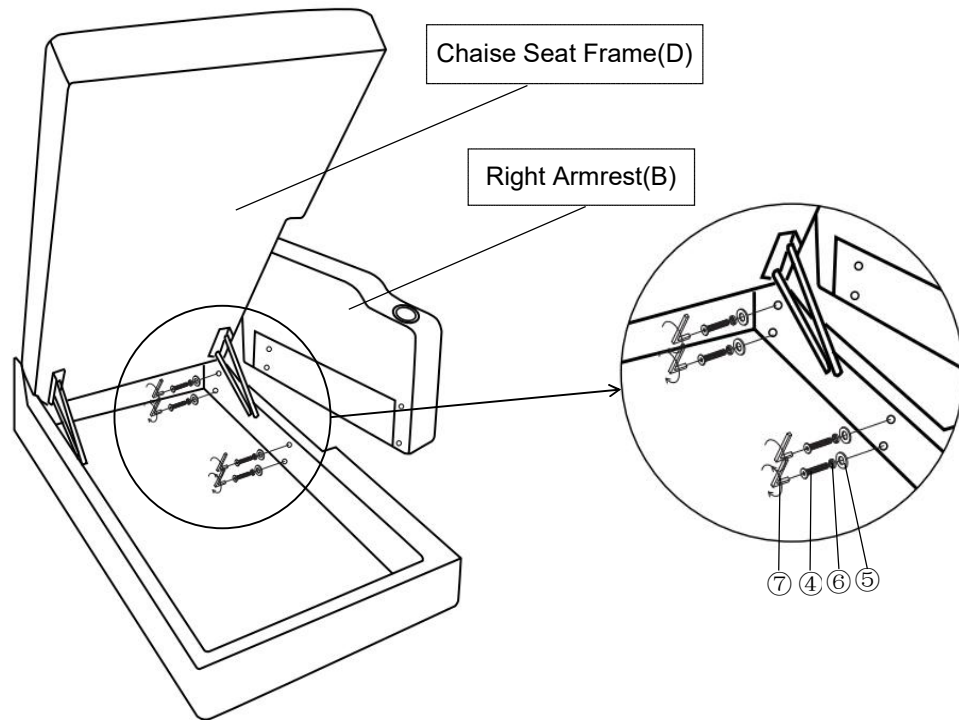
OVERVIEW



This Sofa has multiple parts and may require up to 60 minutes to assemble. To give you an overview of the Sofa parts, the above picture is to help you put the various parts into perspective. Please read through the instructions below to familiarise yourself with the parts and steps before assembly.

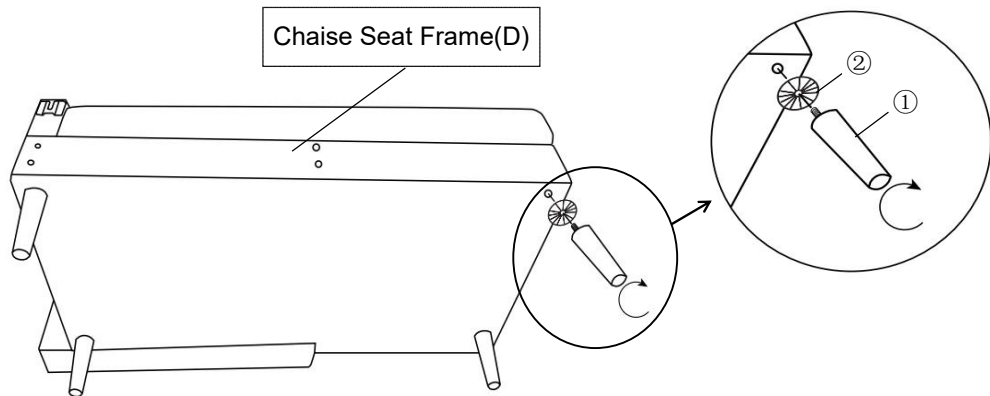
Note: It is recommended that you have an adult partner to assist during the entire assembly process.

Step 1



Open the carton and place all the parts on a clean, non-marring surface.
Open the lid of Chaise Seat Frame(D), attach the Right Armrest(B) to Chaise Seat Frame(D), using Bolt (4) Spring Washer(6), Flat Washer(5), with Allen Wrench(7), turning clockwise until tight.

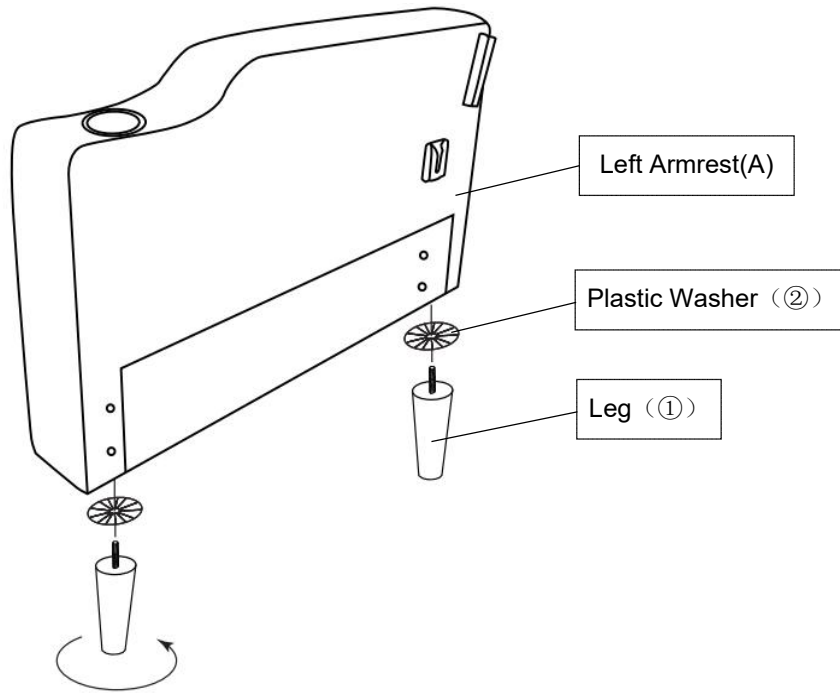
Step 2



Install the Leg(1) at the bottom of Chaise Seat Frame(D) by placing Plastic Washer(2) on the threaded stem. then insert threaded stem into the threaded mounting position at the bottom of Chaise Seat Frame(D) turning clockwise until tight. Repeat the same step to install the remaining three Legs(1).

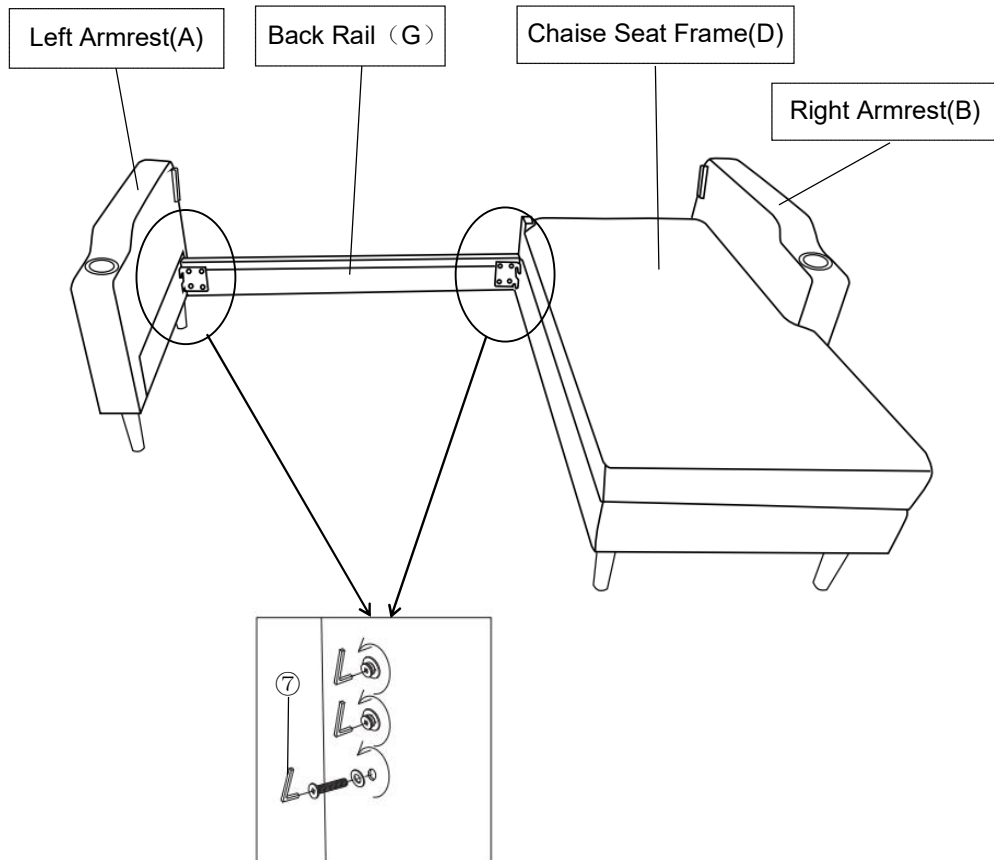
Note: The use of Plastic Washer(2) are OPTIONAL and are especially useful to help alleviate slight wobbleness. Some Legs may need more than one Plastic Washer(2) whilst some Legs may not need any.

Step 3



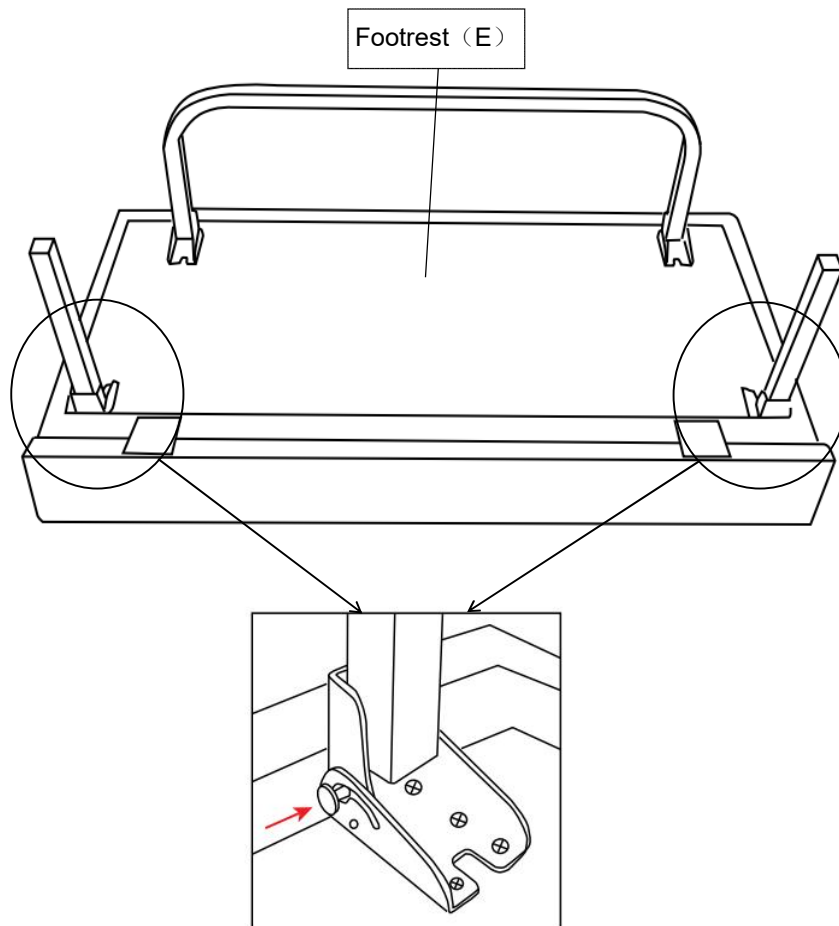
Install the Leg(1) at the bottom of Left Armrest(A) by placing Plastic Washer(2) on the threaded stem.then insert threaded stem into the threaded mounting position at the bottom of Left Armrest(A) .turning clockwise until tight.

Step 4



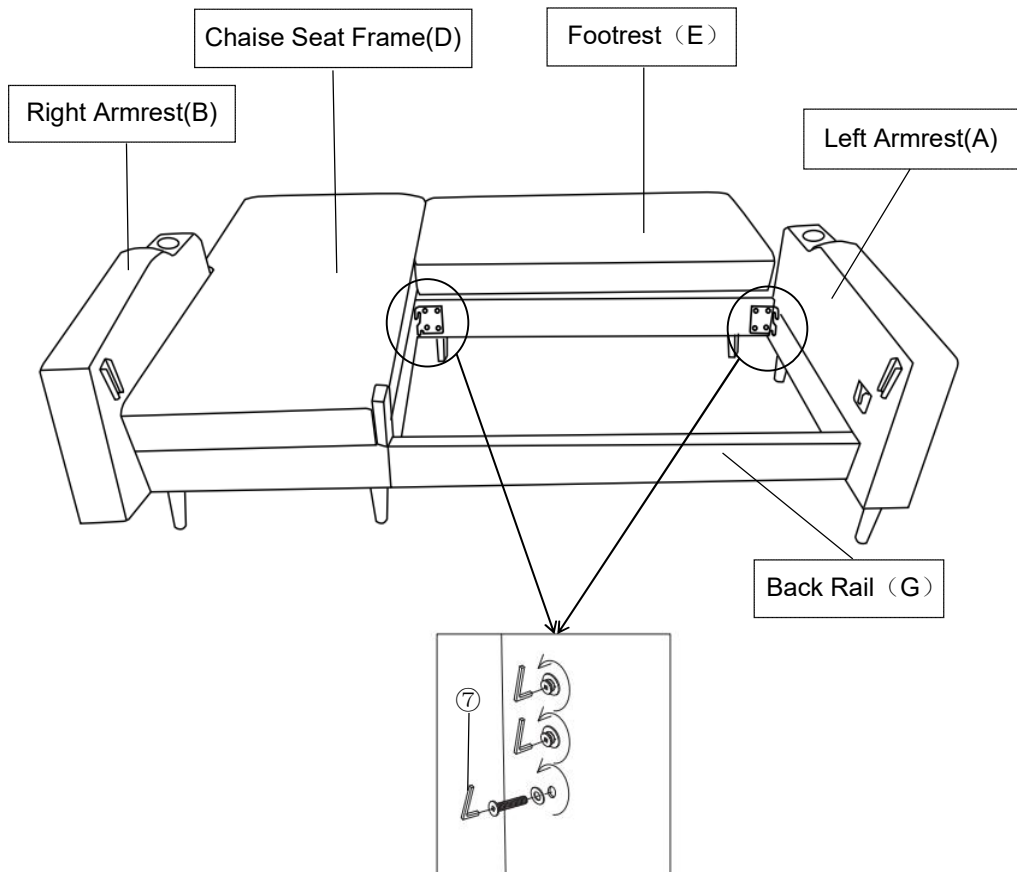
Loosen the bolts in Left Armrest(A) and Chaise Seat Frame(D) around half inch by Allen Wrench(7),With the assistance of your partner,slide the hook in the end of Back Rail(G) into the bolts on Left Armrest(A) and Chaise Seat Frame(D).do not tighten the Bolts at this step.

Step 5



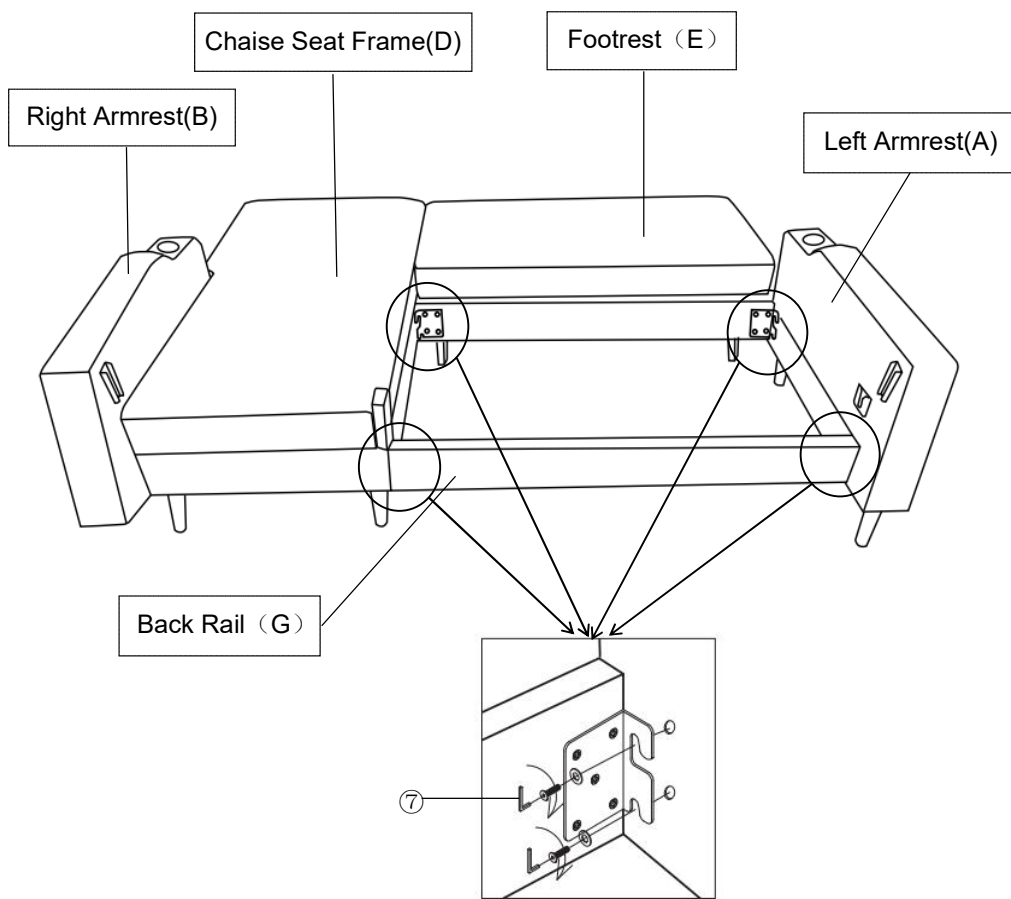
Open the iron leg on Footrest(E).
Notice: Press the button as red arrow showed.

Step 6



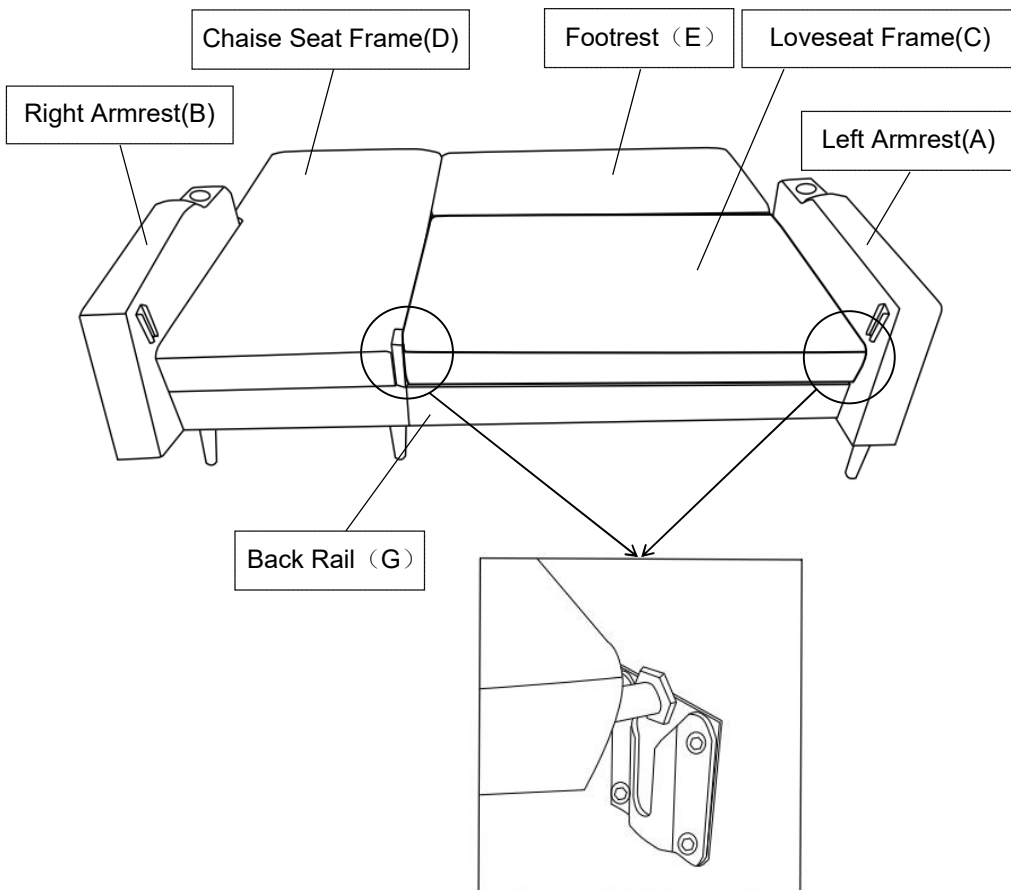
Loosen the bolts in Left Armrest(A) and Chaise Seat Frame(D) around half inch by Allen Wrench(⑦),With the assistance of your partner,slide the hook in the Footrest(E) into the bolts on Left Armrest(A) and Chaise Seat Frame(D).

Step 7



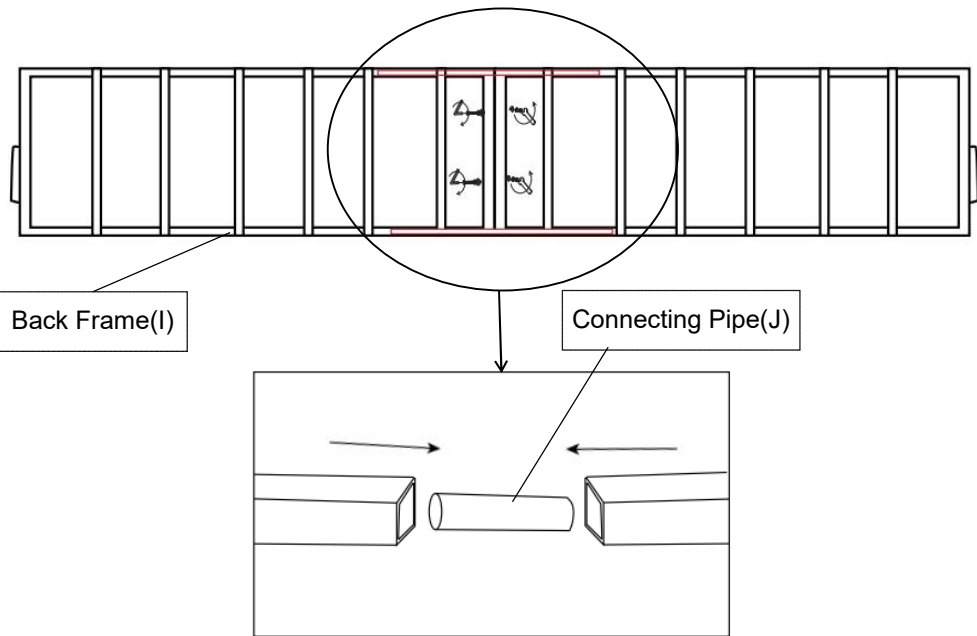
Tighten all bolts with Allen Wrench(7) at this step as picture showed.

Step 8



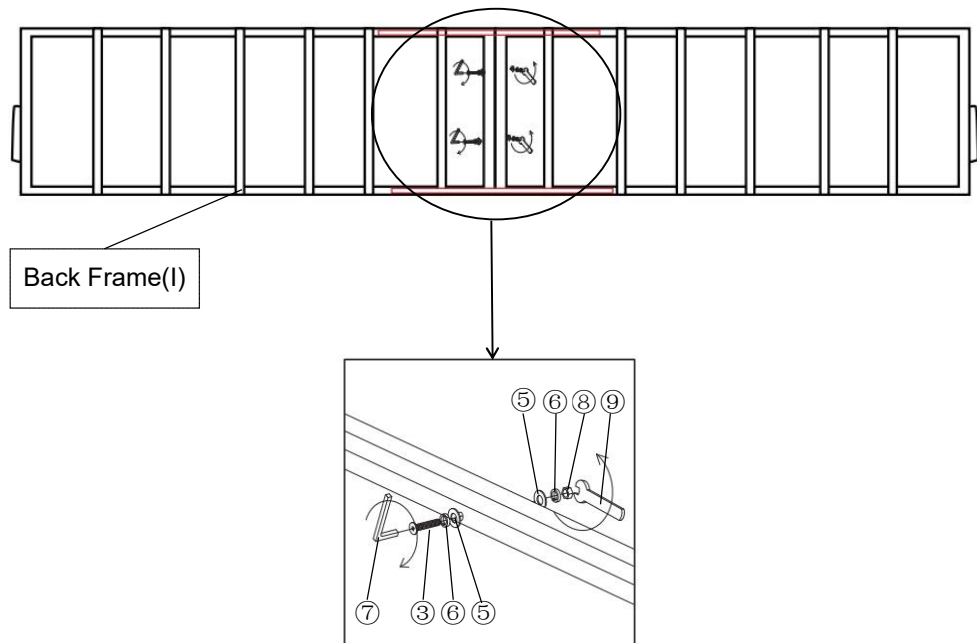
Put Loveseat Frame(C) on the sofa,the back need slip into the place.

Step 9



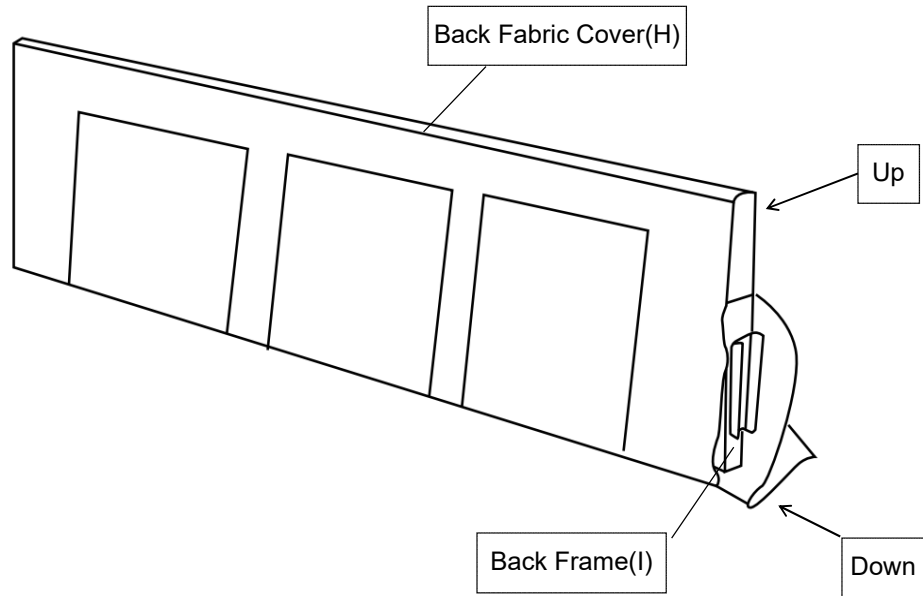
Install the Back Frame(I) by using Connecting Pipe(J) as picture above.

Step 10



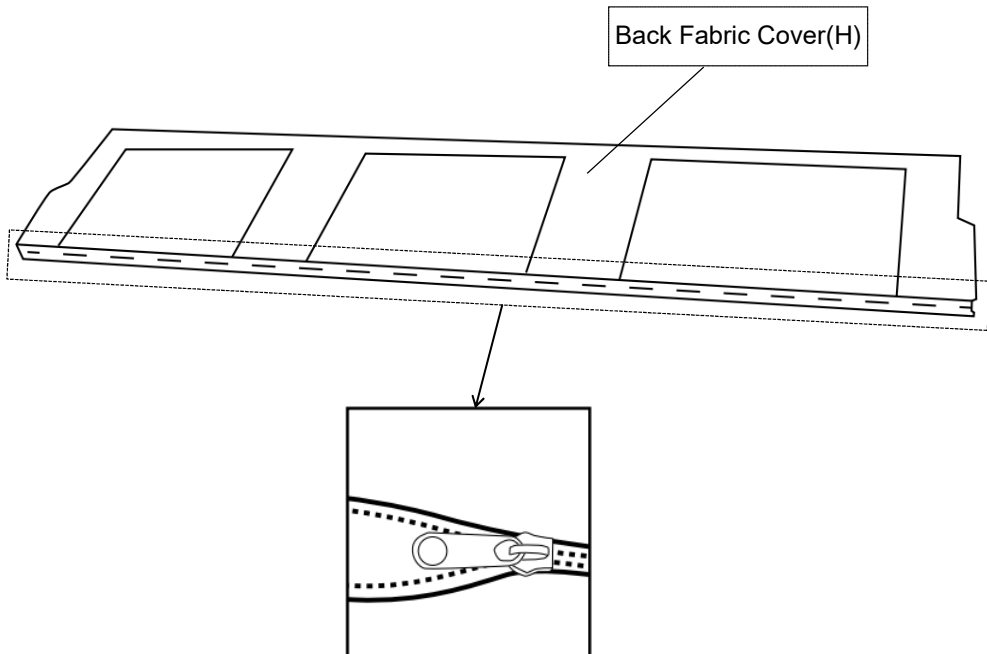
Tighten the Back Frame(I) by using Bolt(③), Spring Washer(⑥), Flat Washer(⑤) with Allen Wrench(⑦), and Nut(⑧), Spring Washer(⑥), Flat Washer(⑤) with Spanner (⑨) turning clockwise until tight.

Step 11



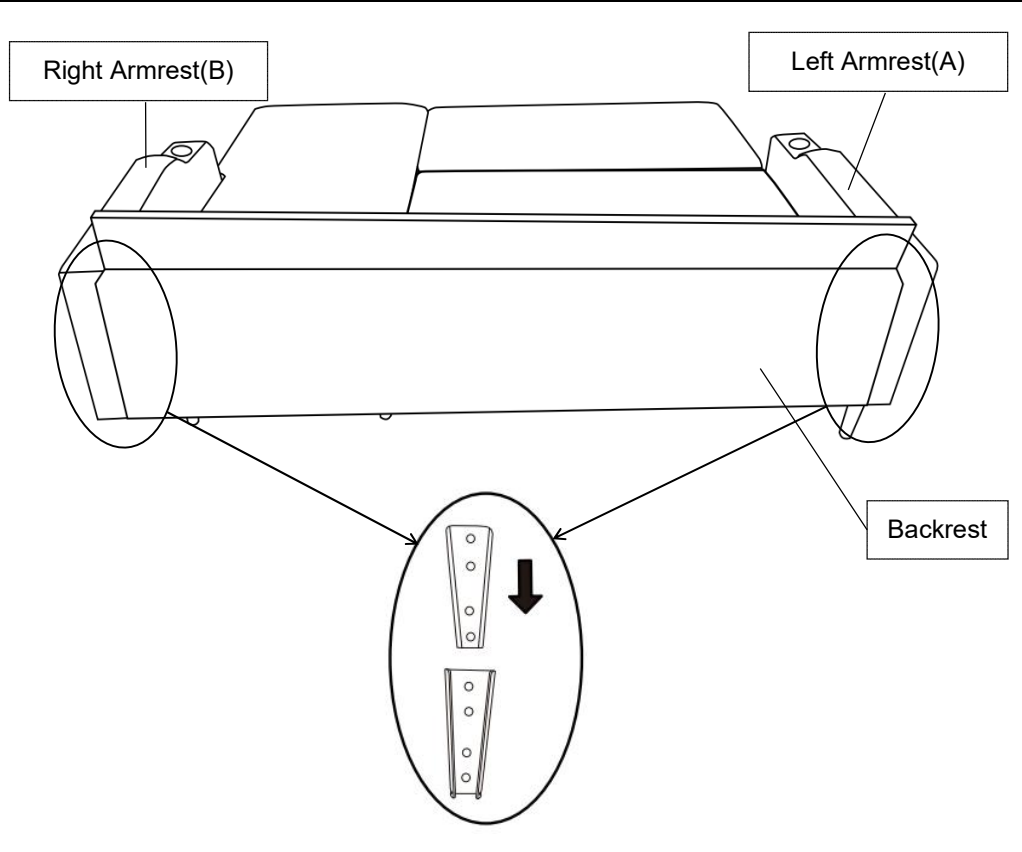
Put Back Fabric Cover(H) on the Back Frame(I).
Please notice the up and down.

Step 12



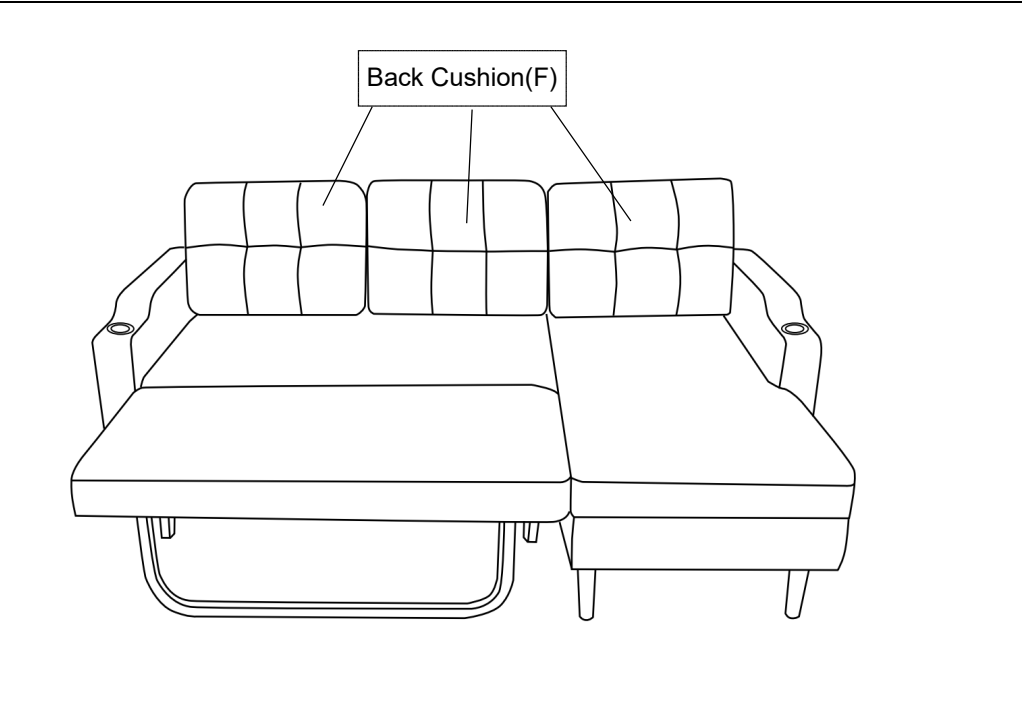
Close the zipper on Back Fabric Cover(H).

Step 13



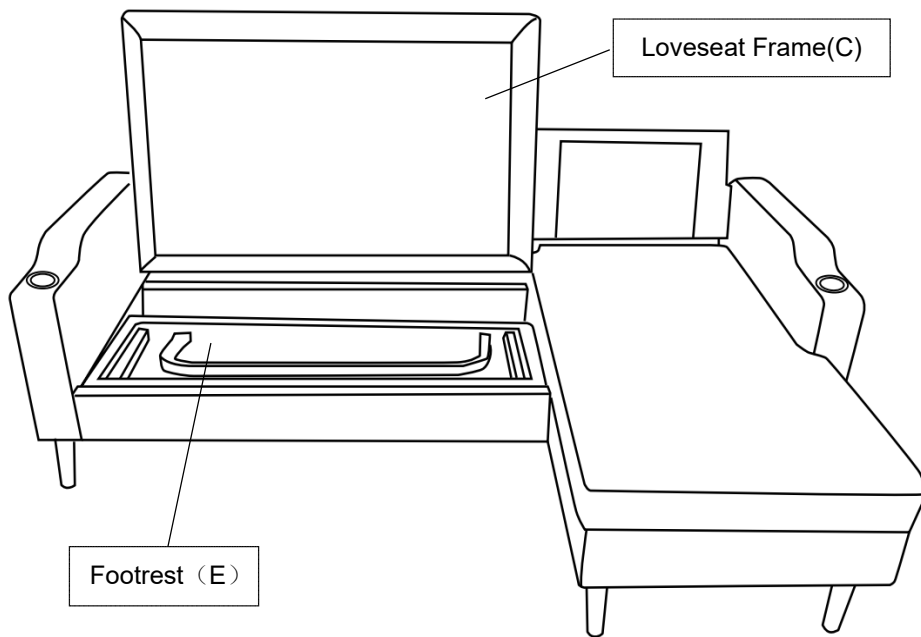
Slide the Tapered Connectors on the Backrest into the Tapered Connectors on the Left Armrest(A) and Right Armrest(B) as shown in the picture.

Step 14



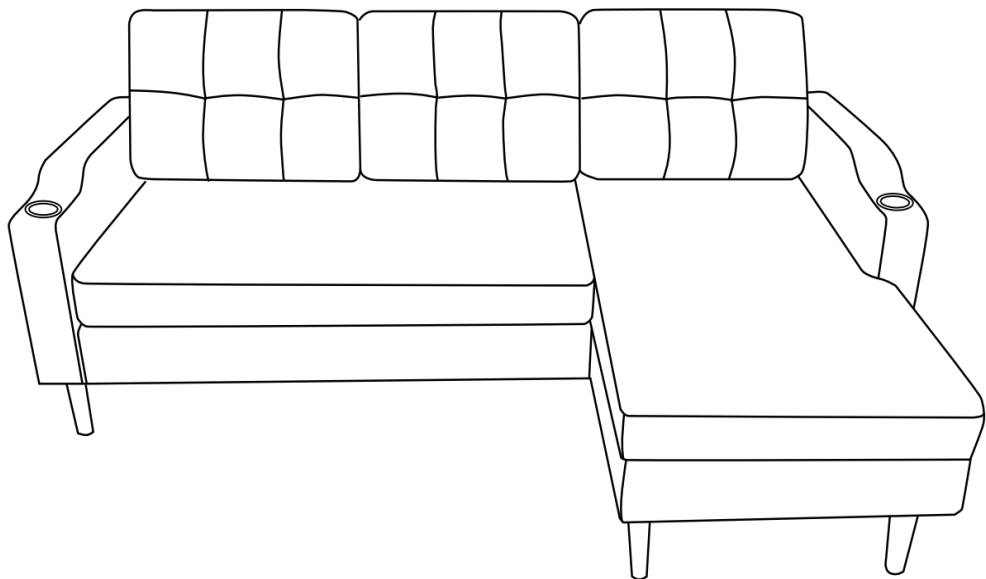
Put the Back Cushion(F) on the sofa.

Step 15



Lift the Loveseat Frame(C),Hiding the Footrest(E).

Step 16



Your sectional sofa is ready to use.

Care & Maintenance



- Furniture may scratch floors. We recommend using furniture pads to protect your floors.



- Do not put hot items directly on furniture surface.



- Do not clean furniture with harsh cleansers or polish.



- Do not place furniture under direct sunlight.



- Do not place furniture near heating or cooling vents.



- Do not write on furniture without a padded barrier to protect the surface.



- Do not place furniture outside . For indoor use only.



- Not for commercial use. For residential use only.



- Stains may be removed with mild soap solution and damp cloth.



- Children should not climb or jump on the furniture.



- Dust and pick-up spills using a clean, non-colored, lint-free cloth.