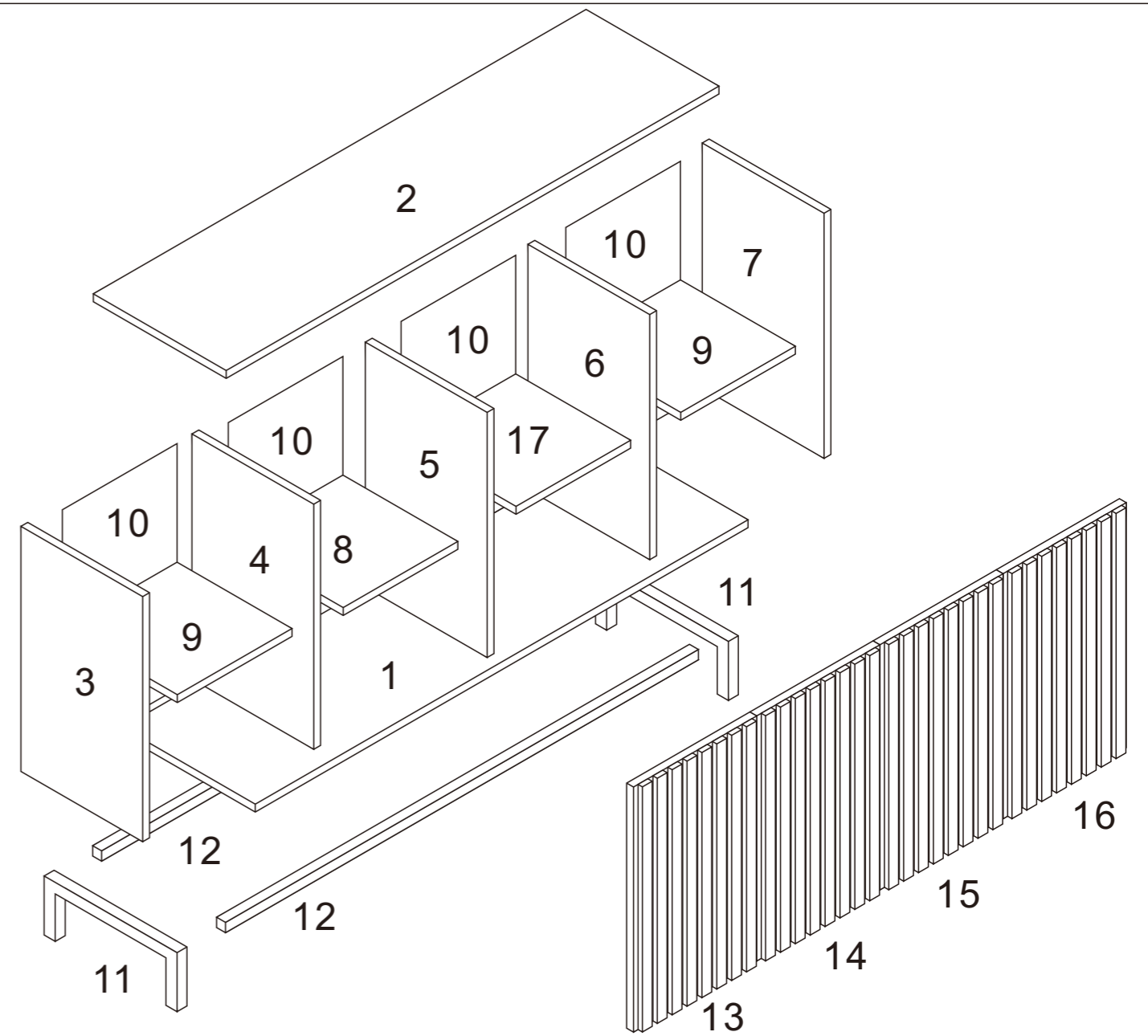
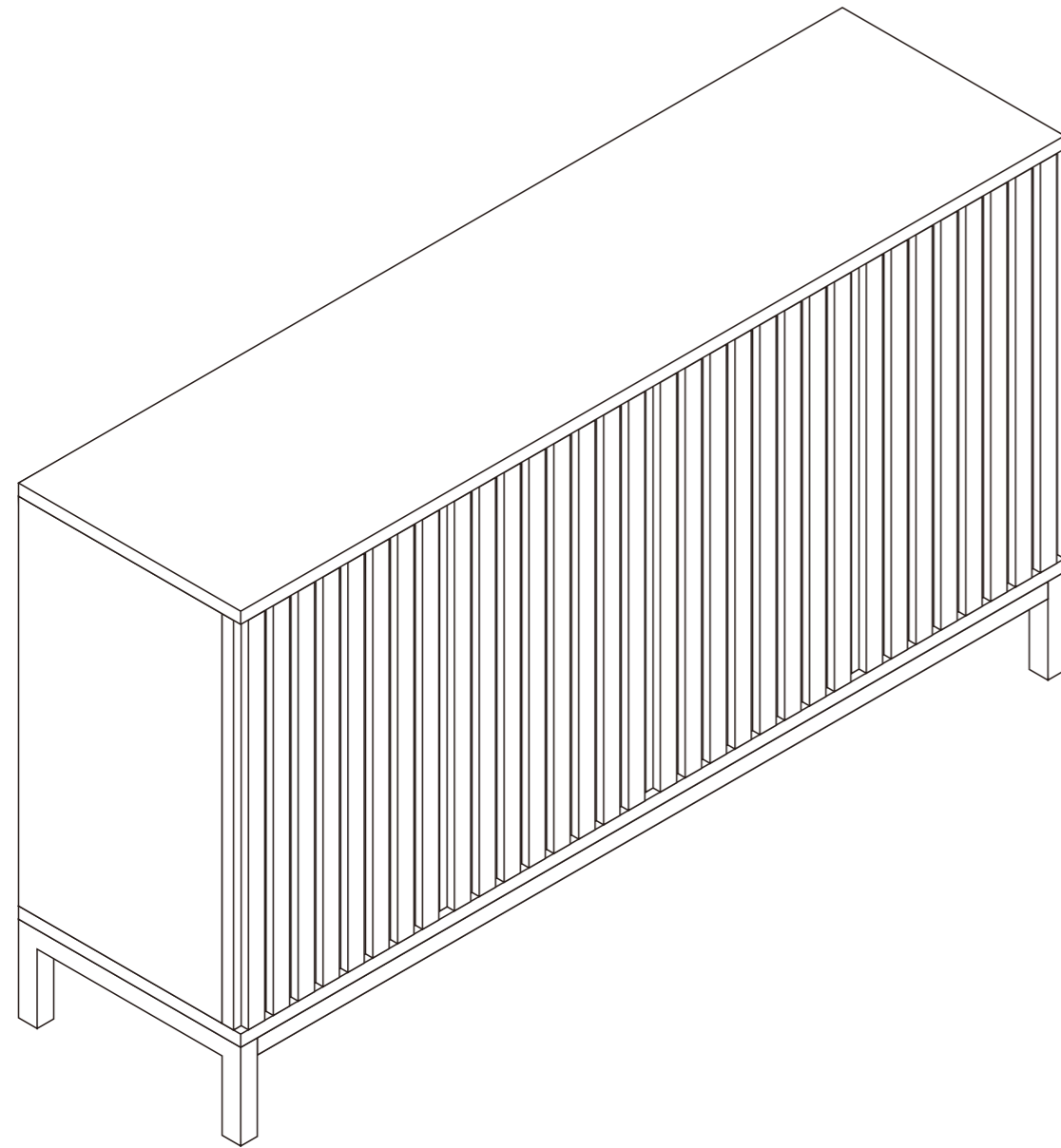
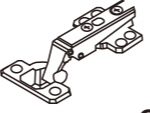
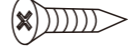
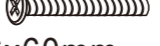
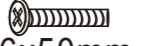
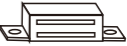







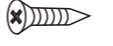






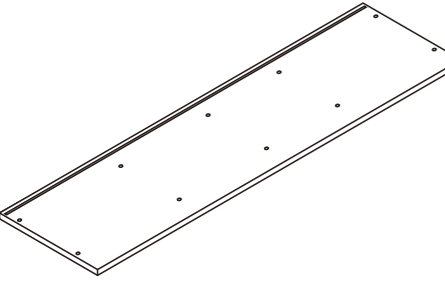
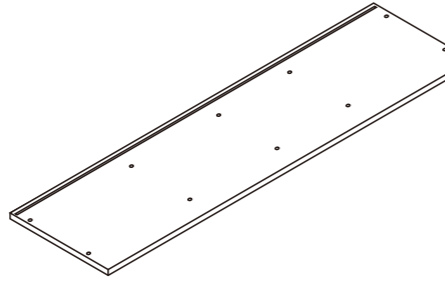
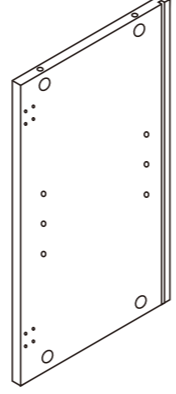
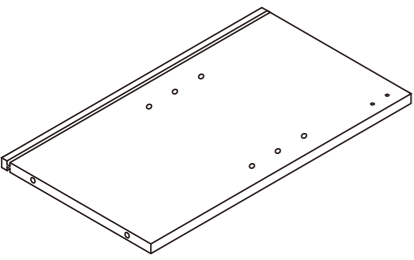
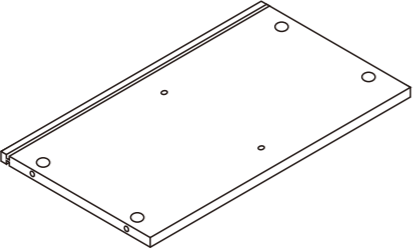
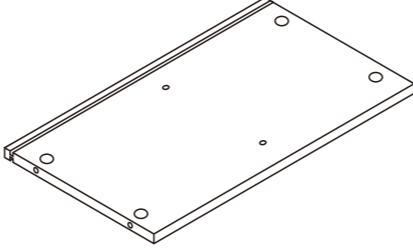
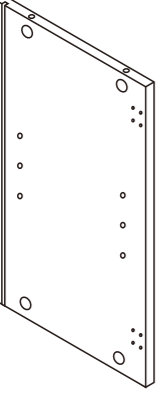
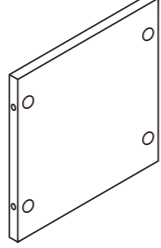
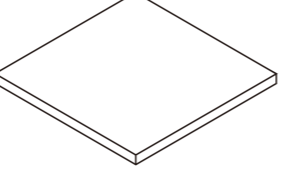
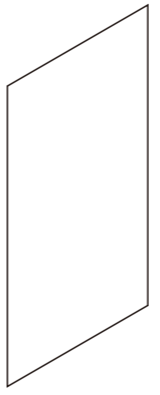
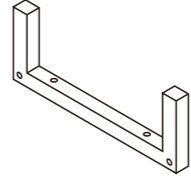
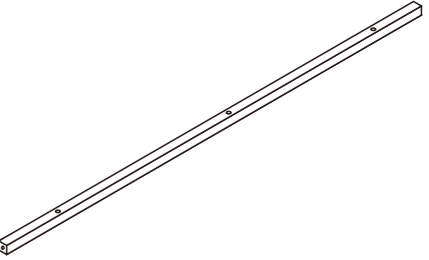
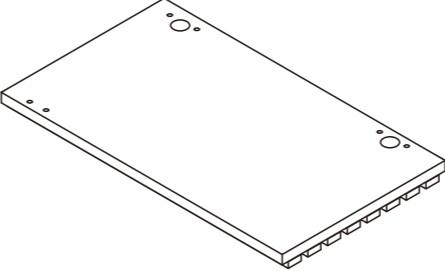
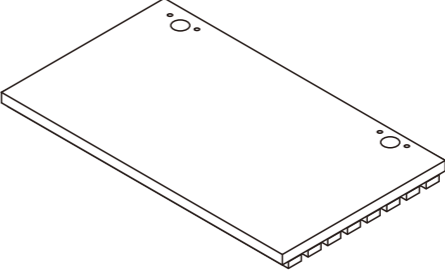
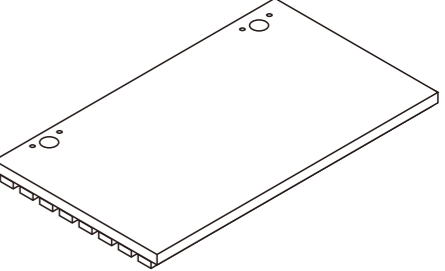
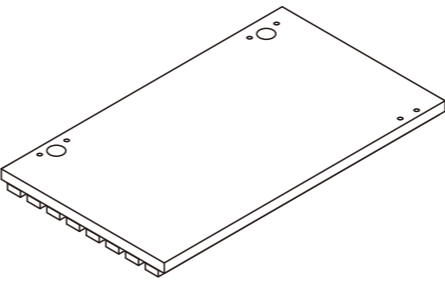
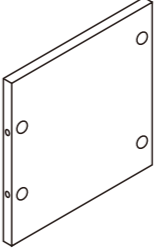


Assembly Instructions



A  x8	B  3.5x16mm x48(+2)	C  6x60mm x4	D  6x50mm x10	E  x2	F  x2
G  15mm x28(+1)	H  40mm x28(+1)	I  3x12mm x4	J  3x12mm x4	K  x8	L  x16
M  3x14mm x16(+1)	KK  x2	LL  x2	OO  x2	NN  x4	MM  x2
N  x1					

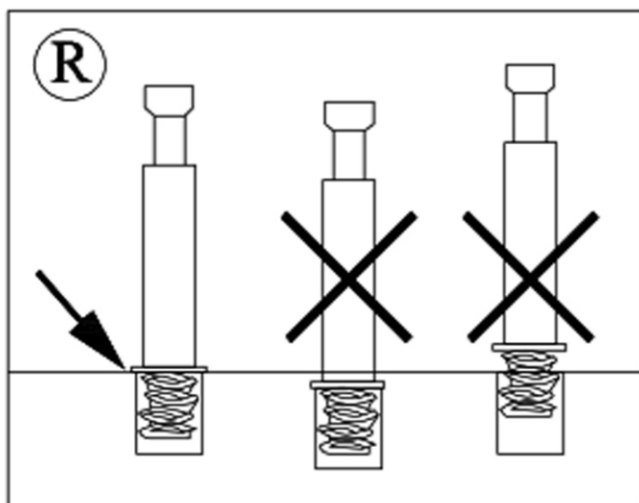
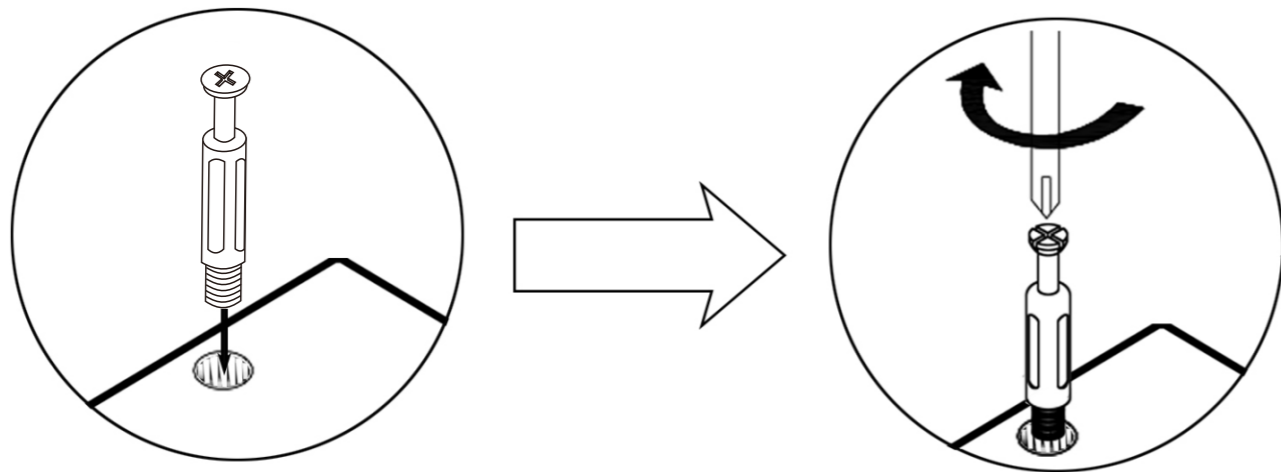
<p>1</p>  <p>x1</p>	<p>2</p>  <p>x1</p>	<p>3</p>  <p>x1</p>
<p>4</p>  <p>x1</p>	<p>5</p>  <p>x1</p>	<p>6</p>  <p>x1</p>
<p>7</p>  <p>x1</p>	<p>8</p>  <p>x1</p>	<p>9</p>  <p>x2</p>

<p>10</p>  <p>x4</p>	<p>11</p>  <p>x2</p>	<p>12</p>  <p>x2</p>
<p>13</p>  <p>x1</p>	<p>14</p>  <p>x1</p>	<p>15</p>  <p>x1</p>
<p>16</p>  <p>x1</p>	<p>17</p>  <p>x1</p>	



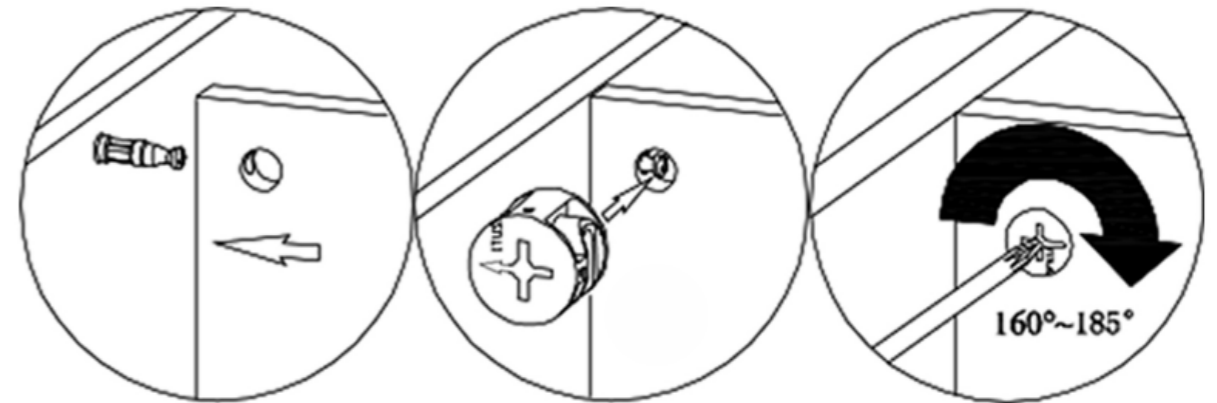
Hardware installation demonstration

- Please make sure H hardware tightened and can't be pulled out

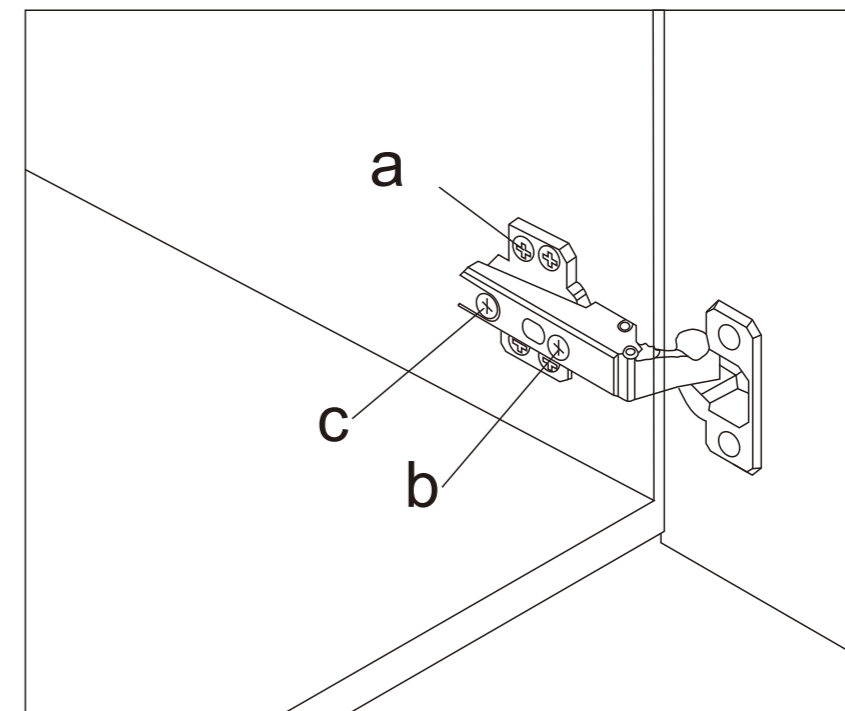


Hardware installation demonstration

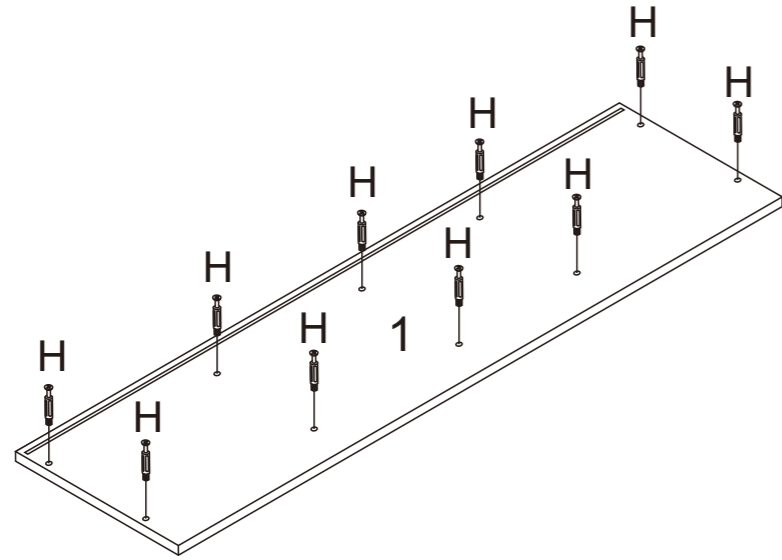
- When inserting cam ensure arrowhead on cam points toward to the hole on the panel edge




How TO ADJUST THE EUROPEAN ADJUSTABLE HINGES ON DOOR
If the doors require adjustment, follow the below options as needed: To adjust door up or down, loosen screws (a), adjust door and retighten screws. To adjust door left and right, turn screw (b) in or out. To adjust door in and out, loosen screw (c), adjust door and retighten screw.

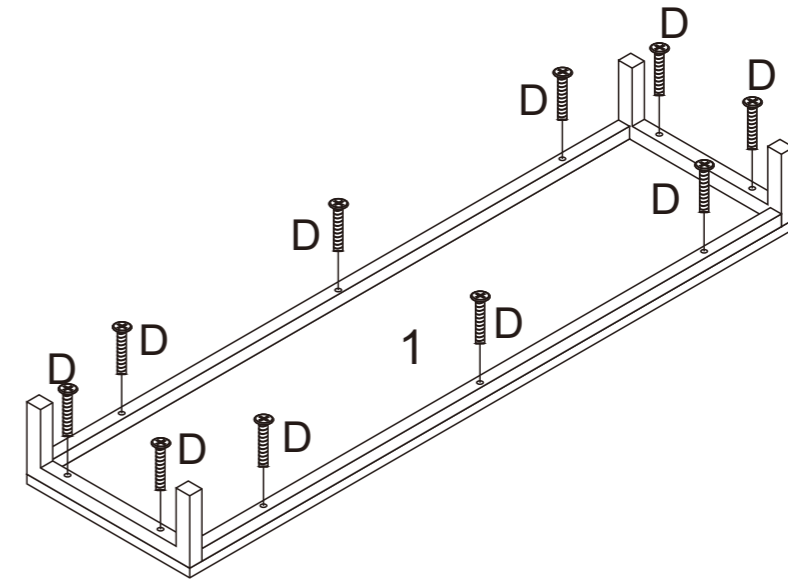



01



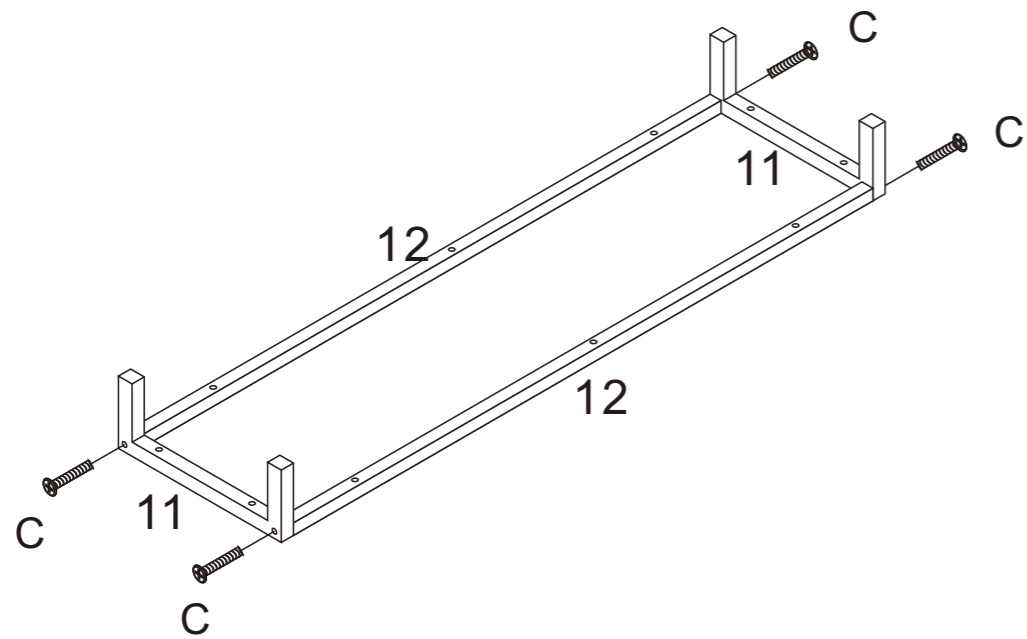
H

 40mm
 x10


03



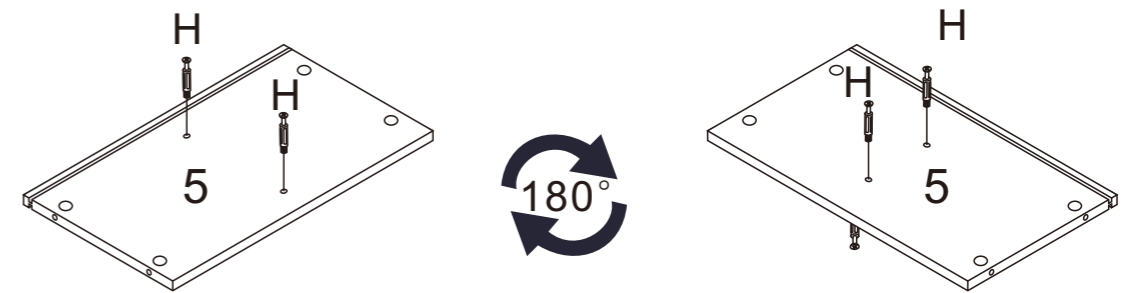
D

 6x50mm
 x10

02



C

 6x60mm
 x4

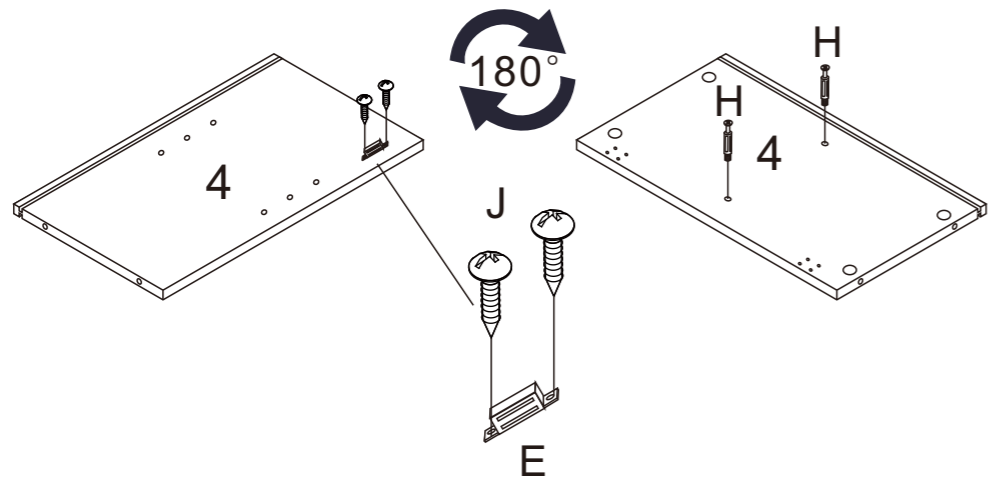
04


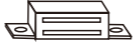



H

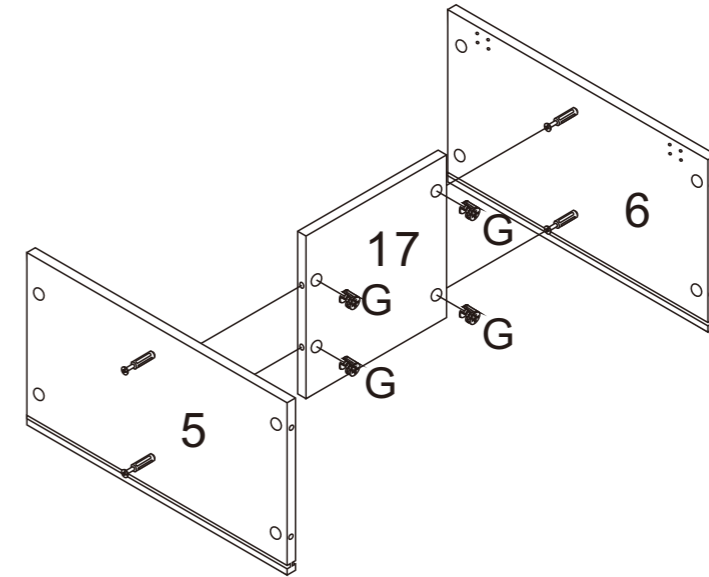
 40mm
 x4


05



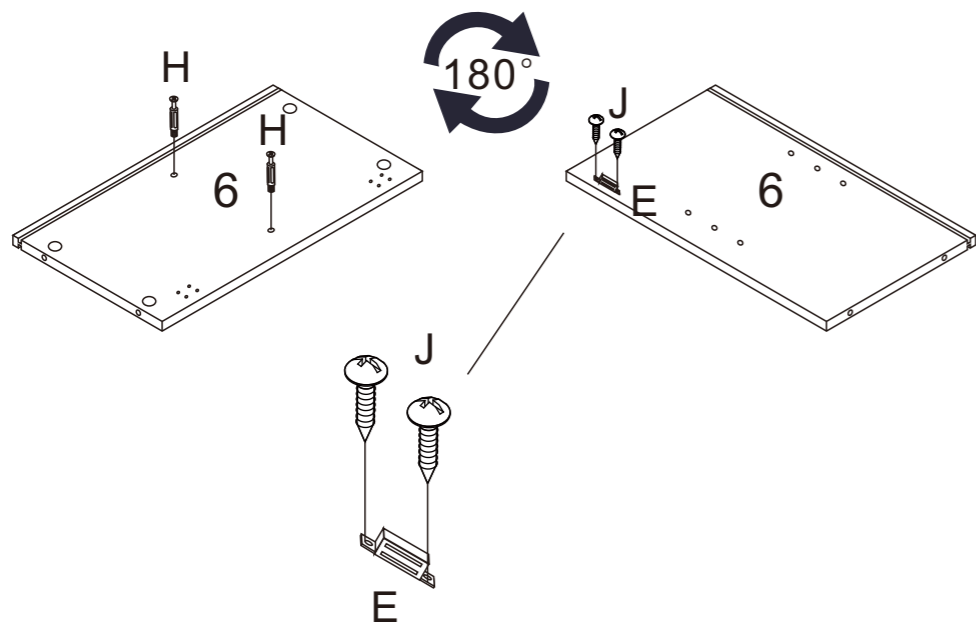
J	E	H
		
3x12mm		40mm
x2	x1	x2


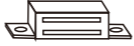

07



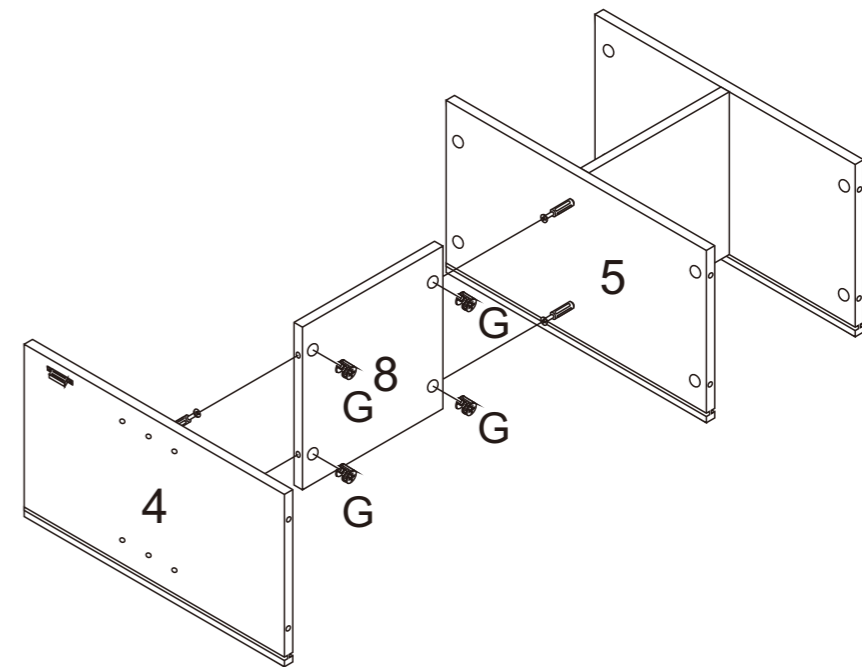
G

15mm
x4


06



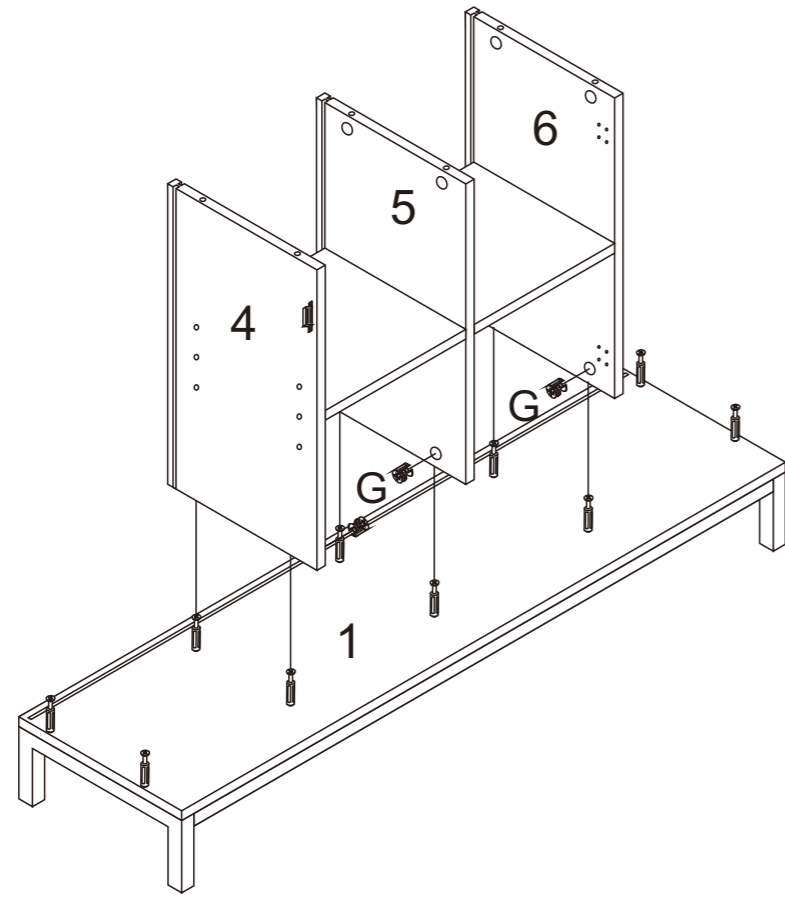
J	E	H
		
3x12mm		40mm
x2	x1	x2


08



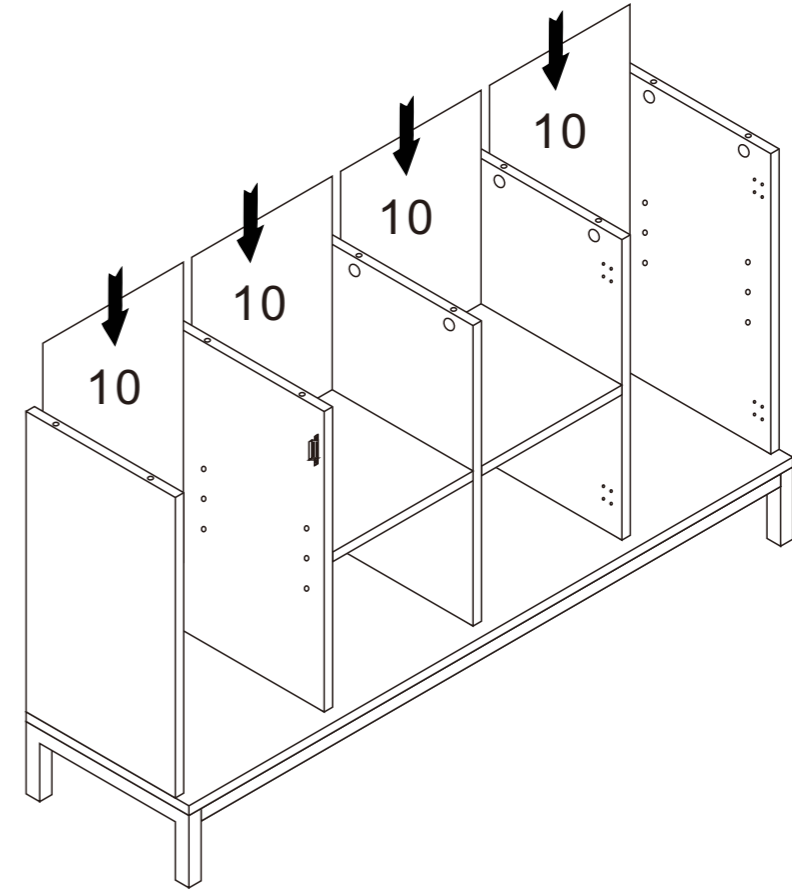
G

15mm
x4

09

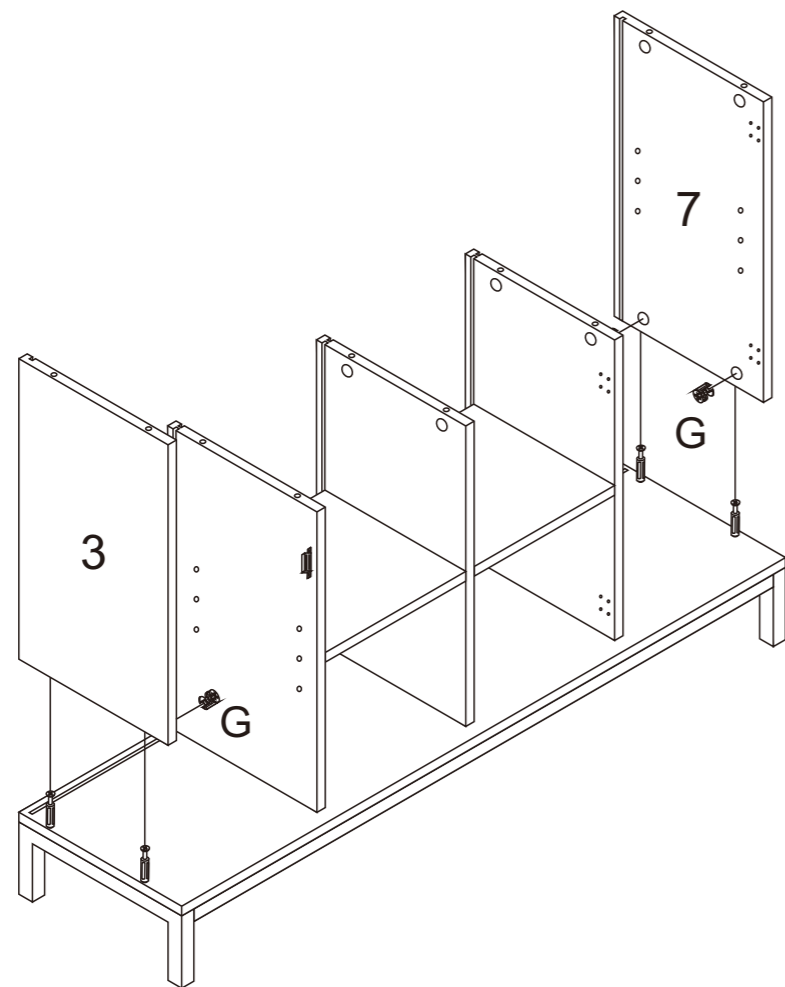



G

 15mm
 x6

11

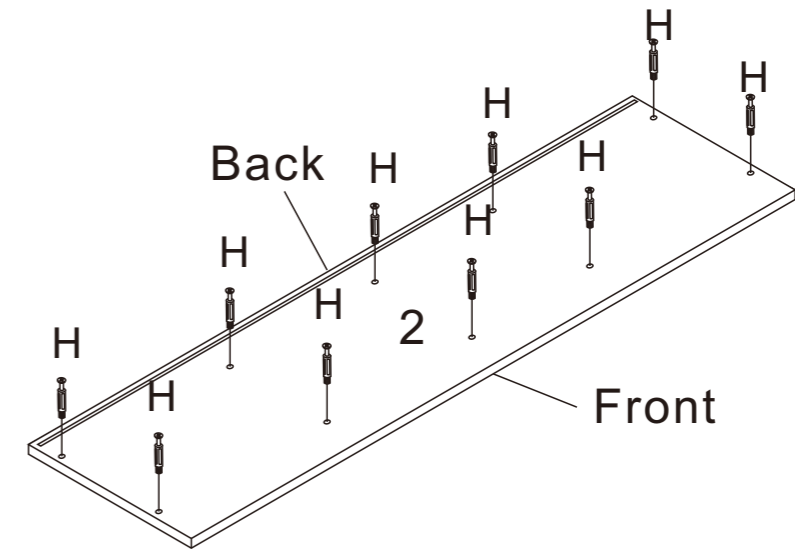



10



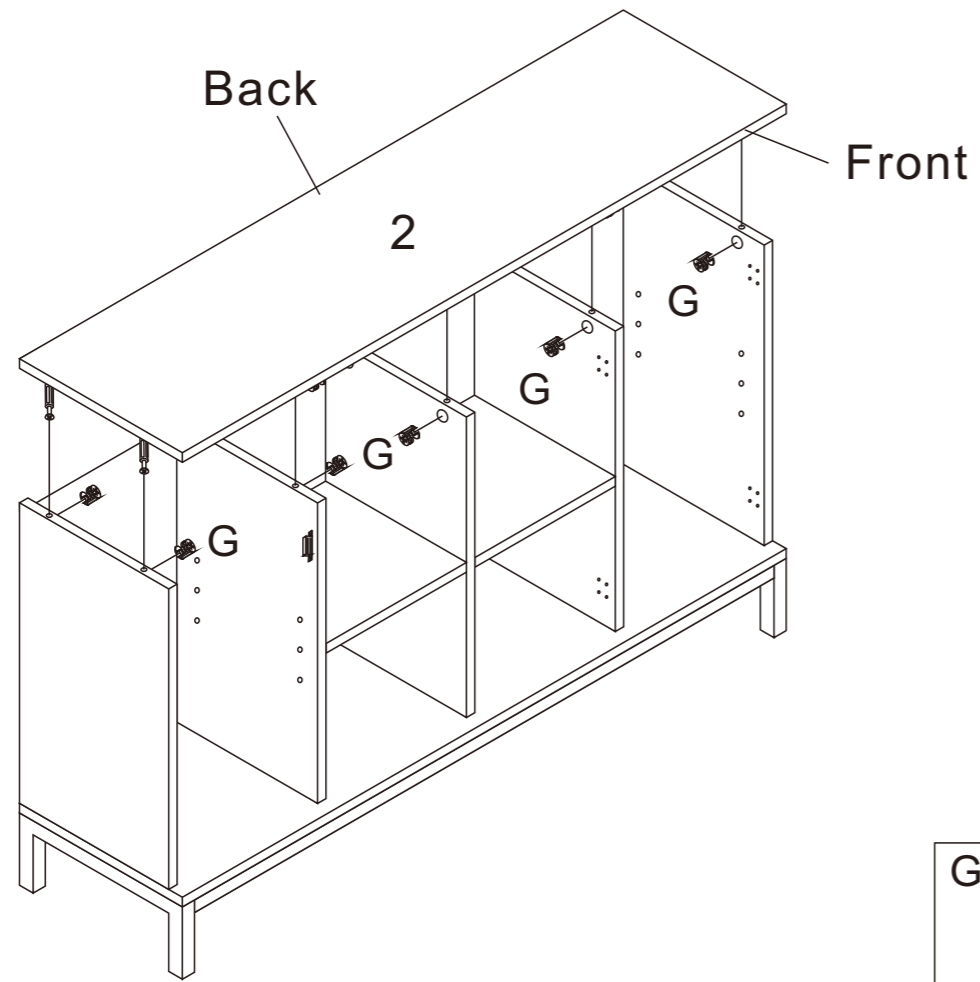
G

 15mm
 x4


12



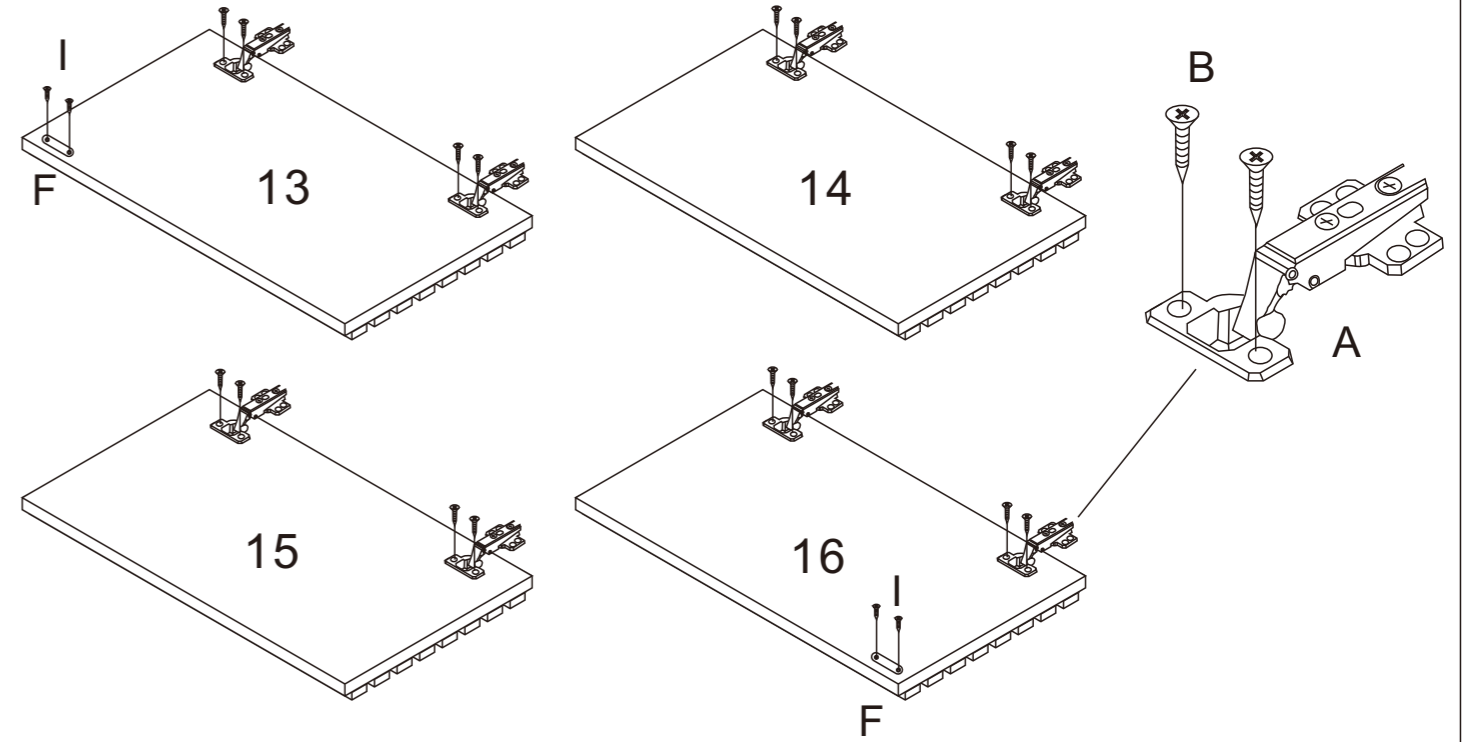
H

 40mm
 x10

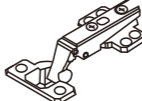
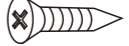
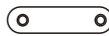

13



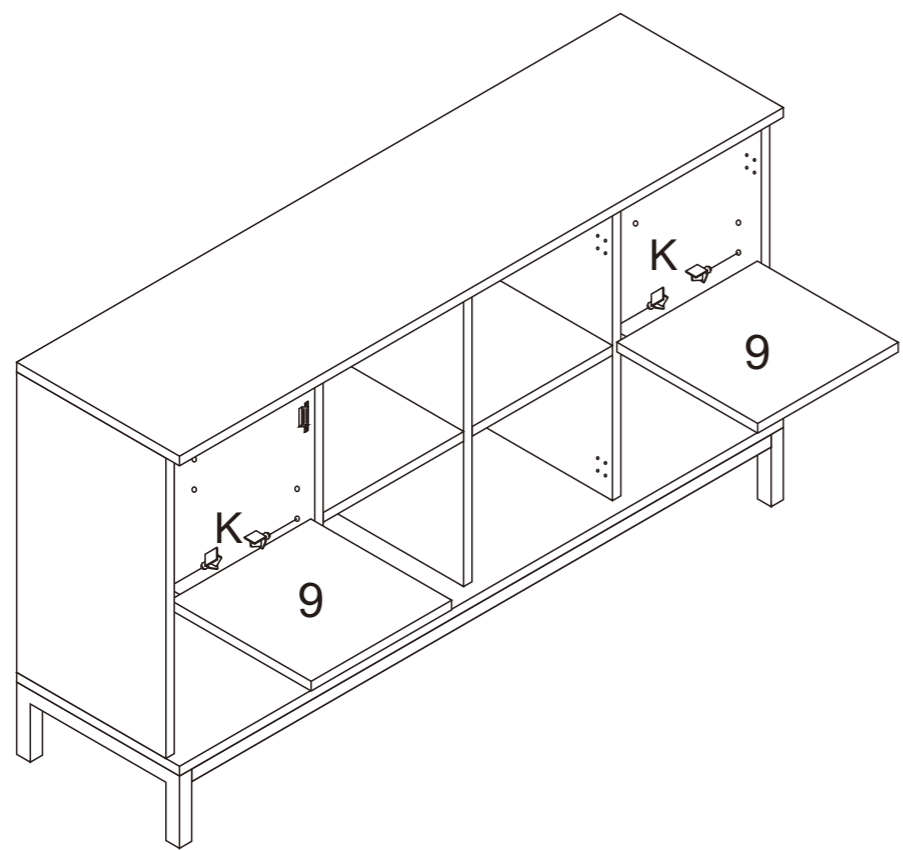
G

 15mm
 x10


15



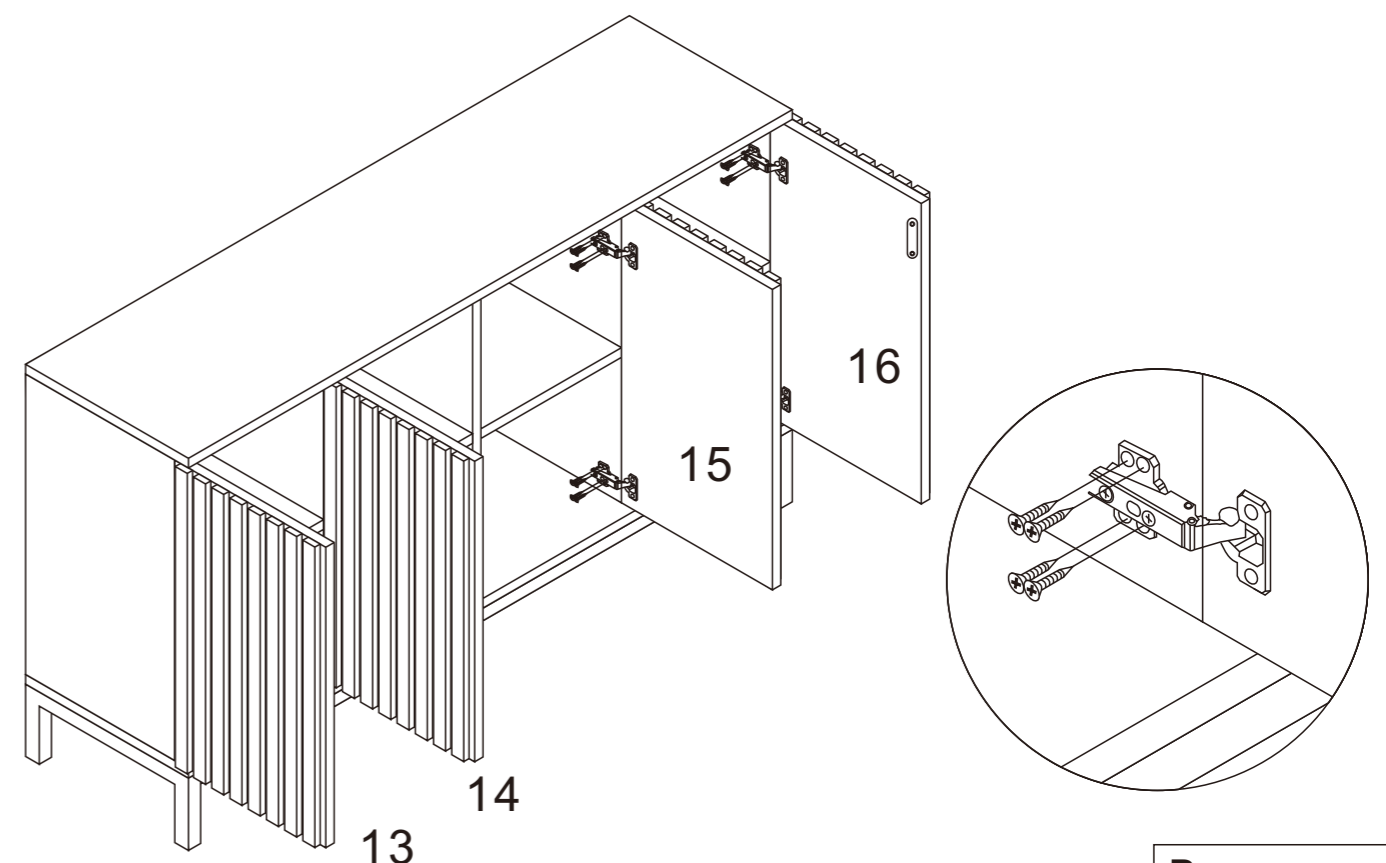
<p>A  x8</p>	<p>B  3.5x16mm x16</p>	<p>F  x2</p>	<p>I  3x12mm x4</p>
---	--	---	---

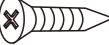
14



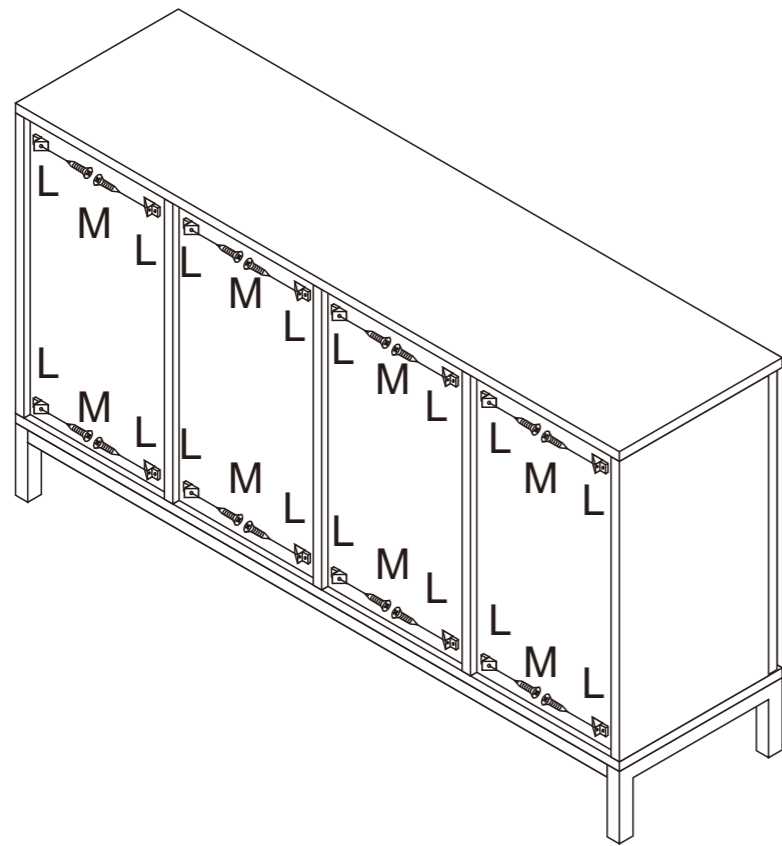
K

 x8

16



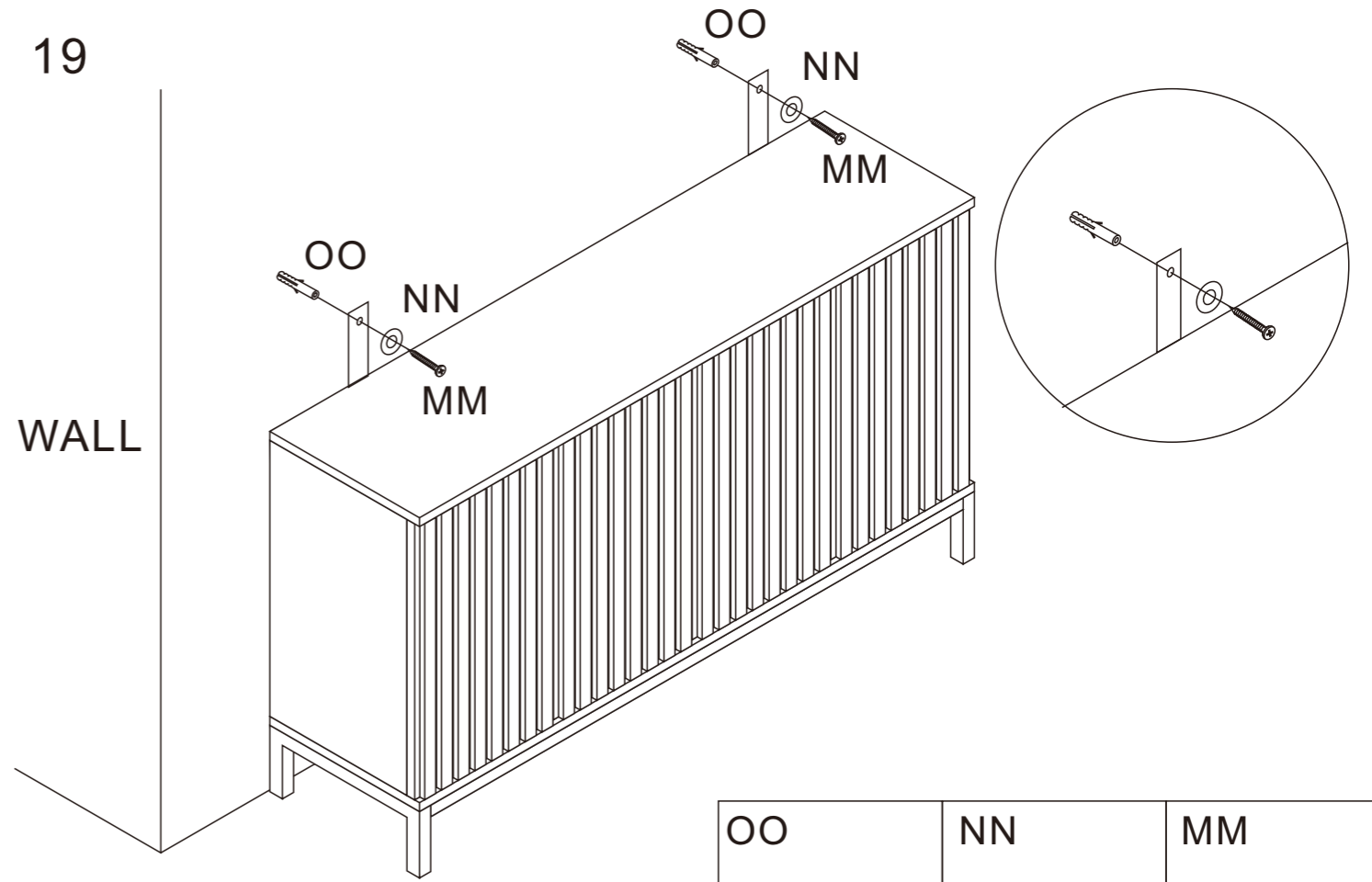
B

 3.5x16mm
 x32

17



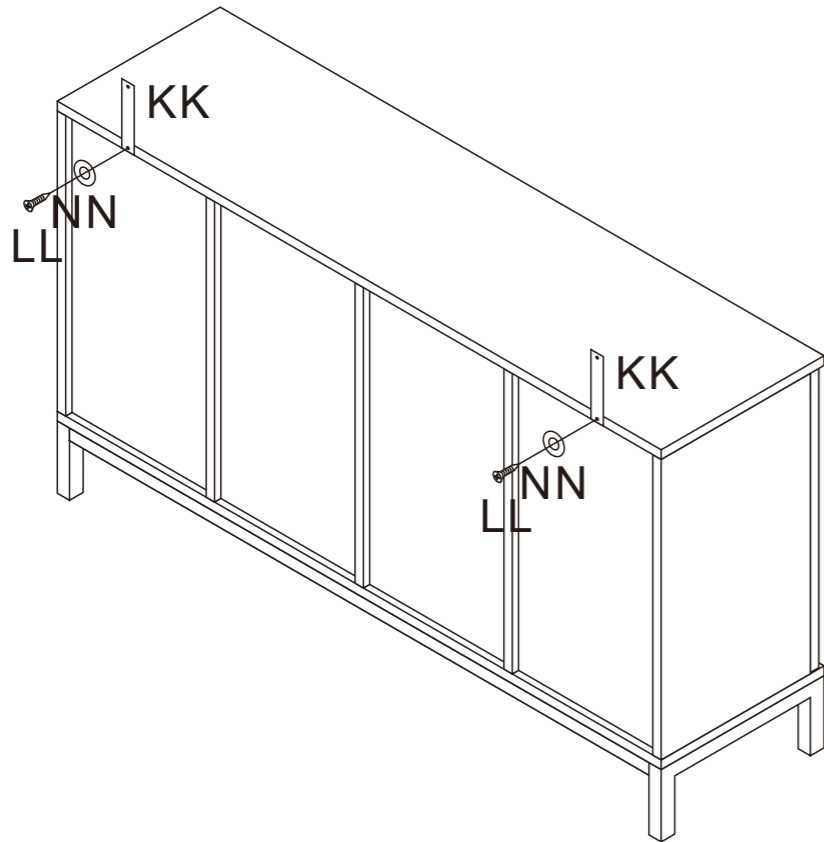
L	M
x16	3x14mm x16

19



OO	NN	MM
x2	x2	x2

18



KK	LL	NN
x2	x2	x2

20

