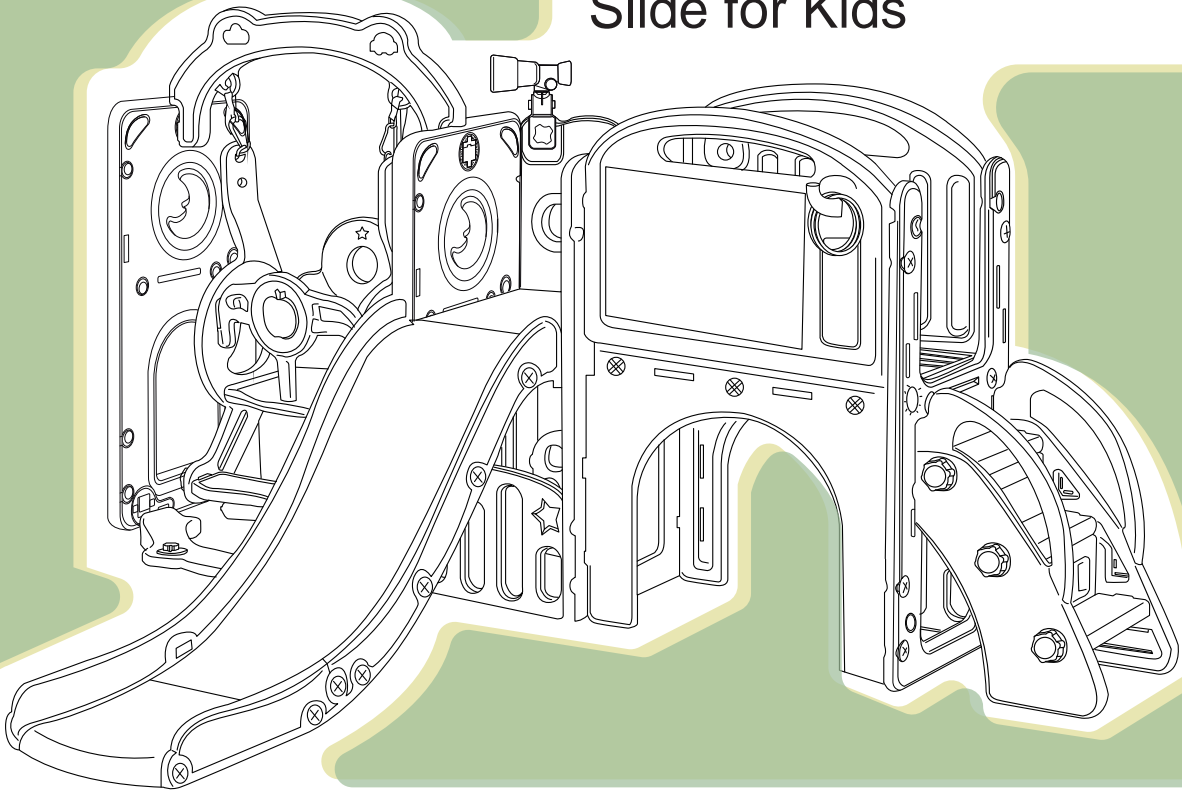


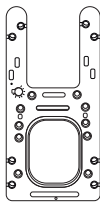
User Manual for Multifunctional Slide for Kids



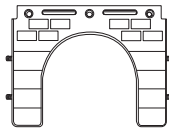
Part description display



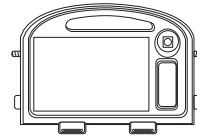
A*2



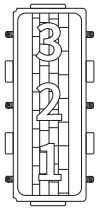
B*2



C*2



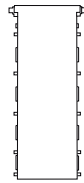
D*2



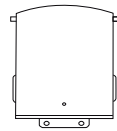
E*1



G*1



H*1



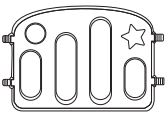
I*1



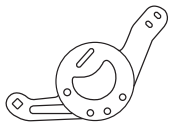
J*2/a*1 b*1



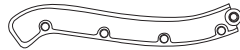
K*1



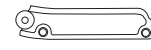
L*2



M*2



N*2/a*1 b*1



O*2/a*1 b*1



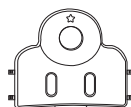
P*3



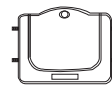
Q*2



R*1



S*1



T*1



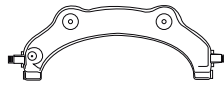
U*1



V*1



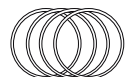
W*1



X*2



Y*1



Z*4



a*1



b*1



c*2



d*4



e*2



f*15



j*35



h*15



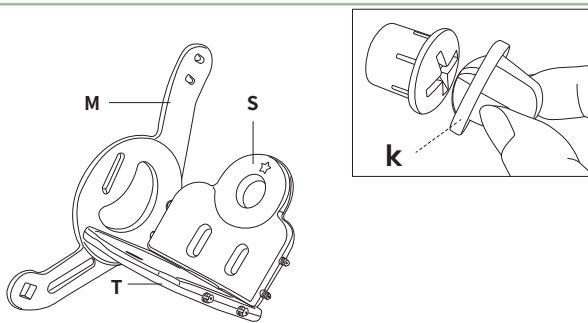
i*9



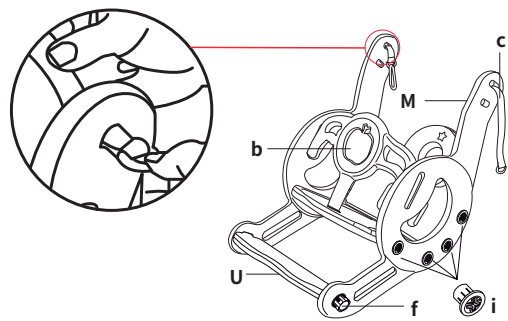
j*2



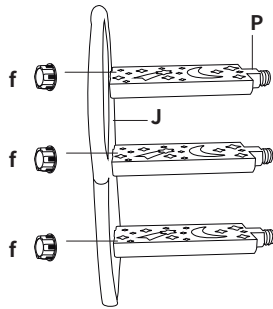
k*1

1

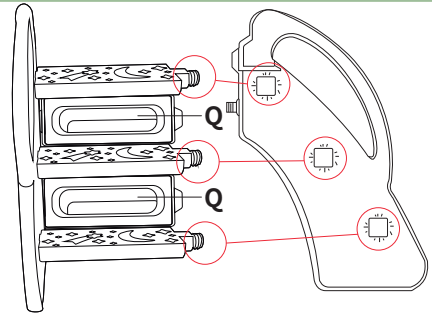
1. Take out panels M, S, and T. Use nut tool K and nuts i to connect the three boards as shown in the diagram.

2

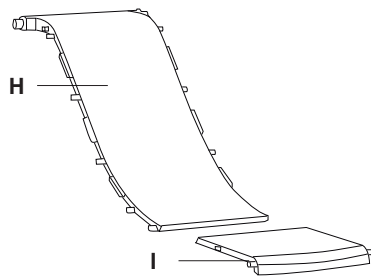
2. Use nuts f and i to connect the other swing side board panel M to the base board U. Install the story machine b and attach the swing buckle C as shown in the small diagram.

3

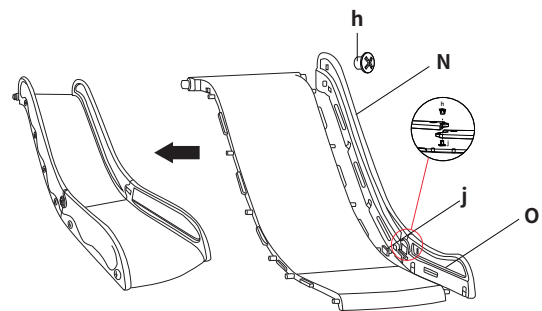
3. Take the stair side board J and stair support panel p, then connect them using nut f.

4

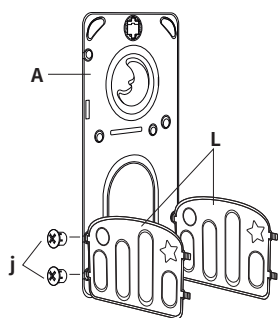
4. Insert stair guard panel Q between the three p boards. Repeat the process for the other side board J.

5

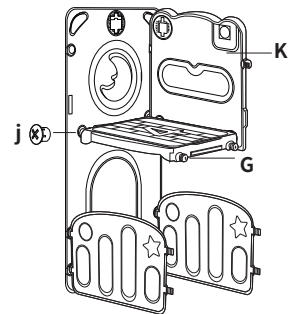
5. Connect the slide baseboards H and I.

6

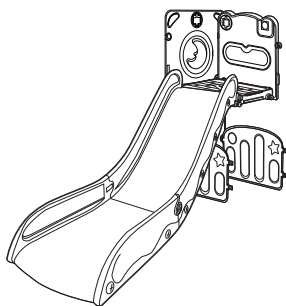
6. As shown, use nuts j and h to attach the two slide side boards (repeat for the other side). Finally, secure the slide track to the side boards with nut h.

7

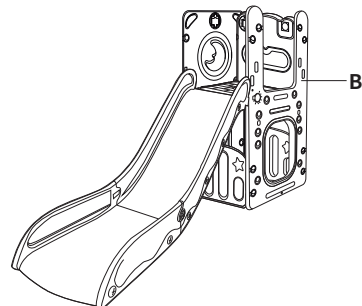
7. Take broad A and two broads L, then connect them using nut j.

8

8. Place broads K and G as shown and secure with nut j.

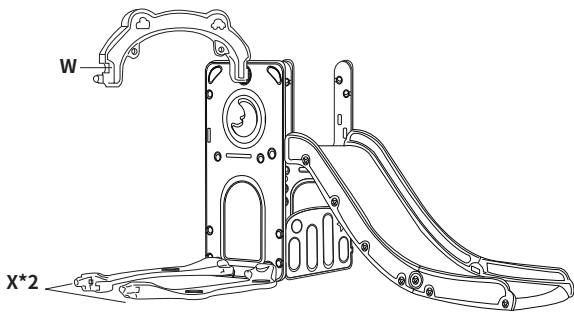
9

9. Connect the assembled slide and platform using nut e.

10

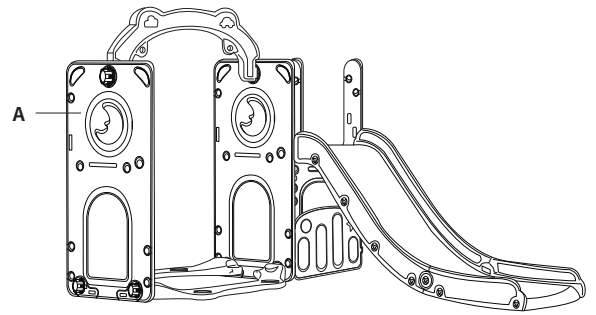
10. Use nut h to attach the newly assembled slide track to the platform.

11



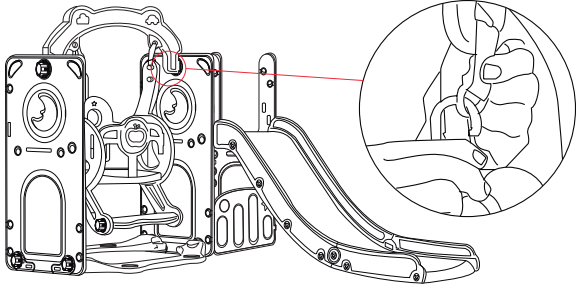
11. Use nut f to connect two swing fixing broads X and one swing hanging broad W as shown.

12



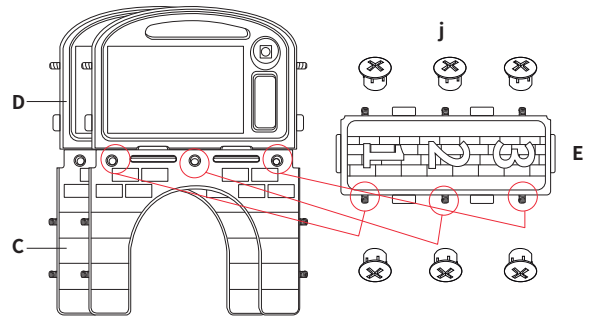
12. Similarly, use nut f to connect the other side broad A.

13



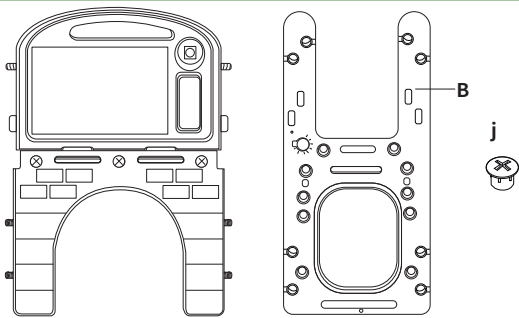
13. Hang the assembled swing part onto the swing hanging panel.

14



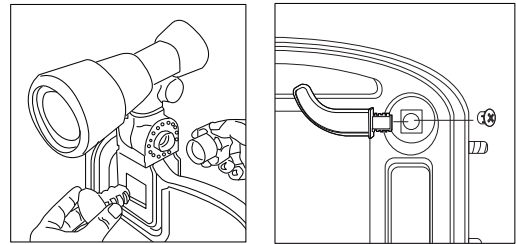
14. Take walkway panels D, C, and E. First, connect C and D together (repeat twice), then attach walkwaypanel E using nut j as shown.

15



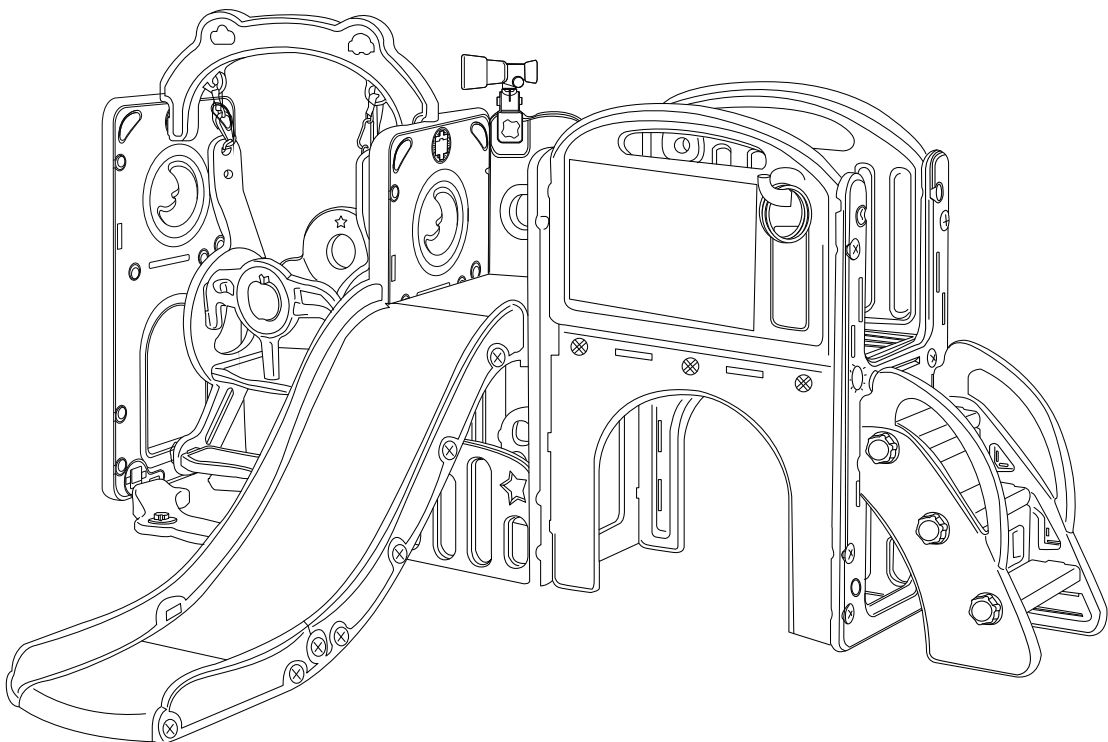
15. Connect the installed walkway to sidepanel B using nut j.

16



16. Insert the telescope Y into the side panel. Finally, use nut j and J to secure the hoop onto panel D, then hang the hoop.

17



17. Finally, use nut j to connect the walkway, platform, stairs, and previously assembled parts to complete the installation.

Warnings: Please read carefully.

- 1.This product contains small parts. Adults must assemble it. Keep away from children to prevent choking hazards.
- 2.Read the manual carefully before installation and use.
- 3.Children must use the product under adult supervision.
- 4.Dispose of or store packaging materials properly to avoid suffocation risks.
- 5.Do not place the product in water or on wet surfaces.
- 6.Keep away from fire or extreme heat sources.
- 7.Before use, inspect the surroundings for hazards and keep dangerous items out of children's reach.
- 8.Ensure all parts are securely fastened before use.

Maintenance

Clean regularly with non-corrosive materials(e.g. sponge and soapy water).

Inspect periodically for damage to ensure a safeplay environment.

Avoid prolonged exposure to direct sunlight.

Enjoy safe and fun playtime!

If you have any problems or missing parts? Please let us know.We are here to help you 24/7

Email us: info@buywayus.com