

## Under-Mounted Installation Instructions

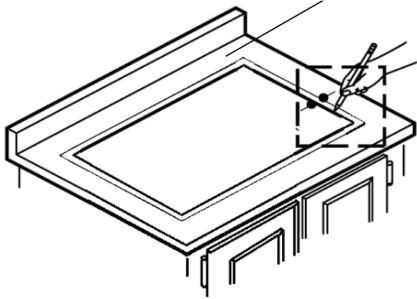
297 Anna St. | Watsonville, CA 95076  
831.724.7300  
www.SantaCruzSinks.com

### Read before installing

- Due to the nature of under-mount installations, we recommend that under-mount sink installations be performed by trained and experienced installers.
- Sink edge may be sharp; handle with caution
- Inspect sink surface with a soft towel to prevent scratch on product
- This template is only a guide. Actual sink should be present to ensure perfect cut out.

1

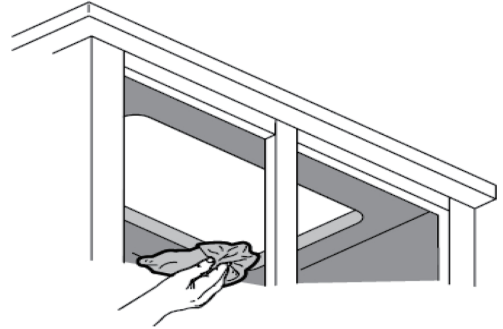
Ensure sufficient clearance for faucet installation



-Ensure sufficient clearance for faucet installation with provided template on counter top. Locate the template front to rear, so that sink will not interfere with the cabinet.

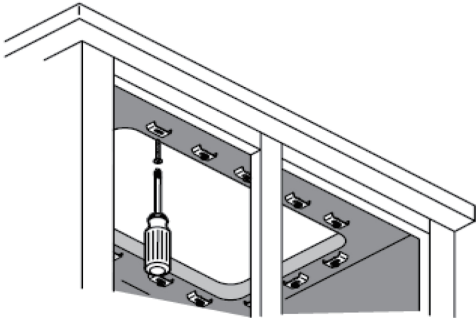
-Trace a line around the template. Cut along the inside of this line to provide opening. Please ensure all measurements are accurate and precise before cutting or drilling.

2



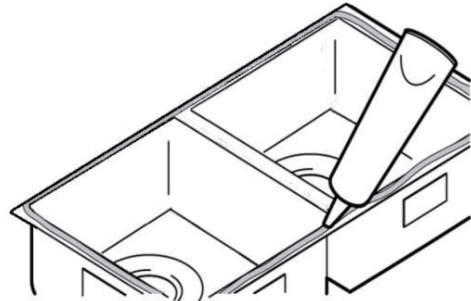
Clean the top and underside of the counter and the rim of the sink

3



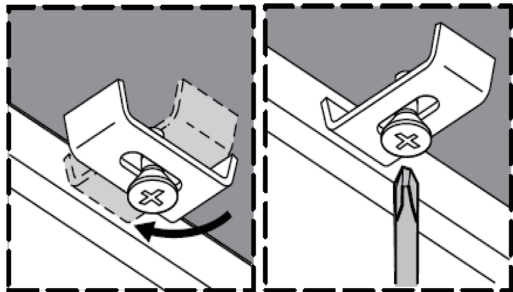
Determine placement of clip brackets as indicated by template. Pre-drill holes according to method desired based on counter top material.

4



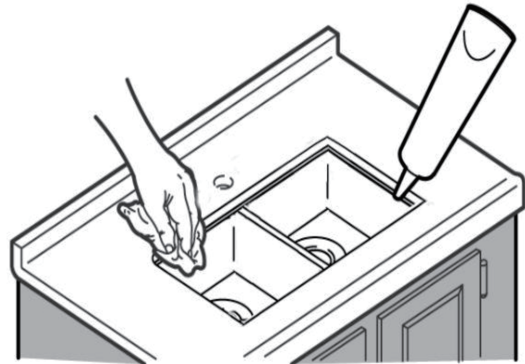
-Apply a bead of silicone evenly along the edge on underside of counter top.  
-Position and align sink over opening. Press sink onto silicone seal.

5



After re-checking alignment, install the clips to the counter top, ensure each clip engages the rim. Tightly and evenly.

6



Remove excess sealant and dry for at least 24 hours before use.

### Tools Needed

Tape Measure  
Safety Glasses  
Saw  
Construction Glue

Screwdriver  
Gloves  
Pencil



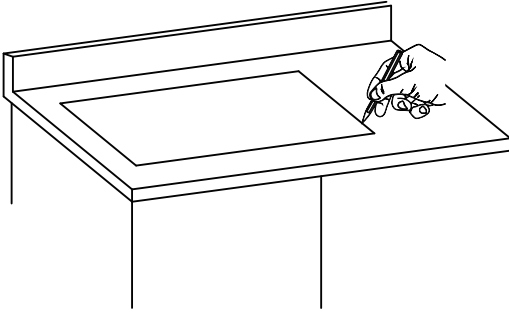
For specs and more information visit [www.SantaCruzSinks.com](http://www.SantaCruzSinks.com)

## Top-Mounted Installation Instructions

### Read before installing

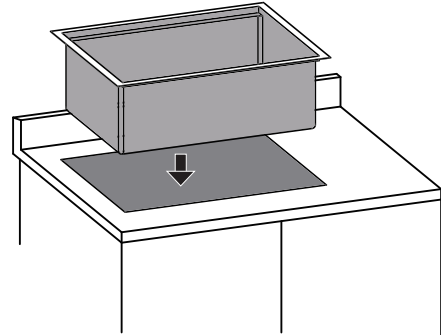
- Due to the nature of top-mount installations, we recommend that top-mount sink installations be performed by trained and experienced installers.
- Sink edge may be sharp; handle with caution
- Inspect sink surface with a soft towel to prevent scratch on product
- This template is only a guide. Actual sink should be present to ensure perfect cut out.

1



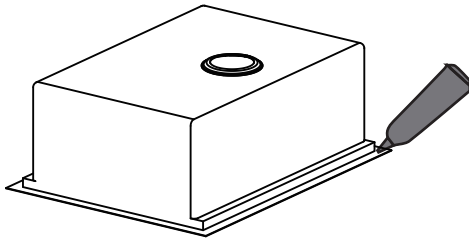
- Ensure sufficient clearance for faucet installation with provided template on counter top. Locate the template front to rear, so that sink will not interfere with the cabinet.
- Trace a line around the template. Cut along the inside of this line to provide opening. Please ensure all measurements are accurate and precise before cutting.

2



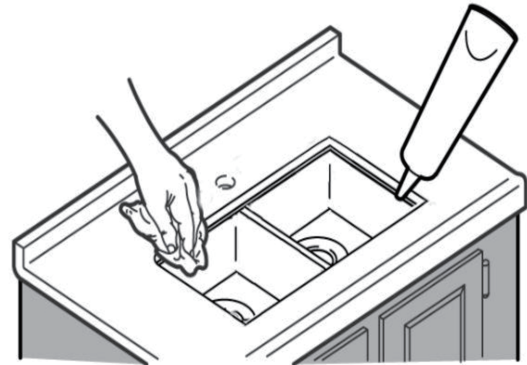
- With the opening now complete, drop the sink in the space created.
- Check for any issue with the fit and alignment
- Make any necessary adjustments. Ensure the sink is level with the countertop.

3



Apply a bead of silicone sealant to the edge of the sink

4



- Position and align sink over opening. Press sink onto silicone seal.
- Remove excess sealant and dry for at least 24 hours before use.

#### Tools Needed

Tape Measure  
Safety Glasses  
Saw  
Construction Glue

Screwdriver  
Gloves  
Pencil



For specs and more information visit [www.SantaCruzSinks.com](http://www.SantaCruzSinks.com)