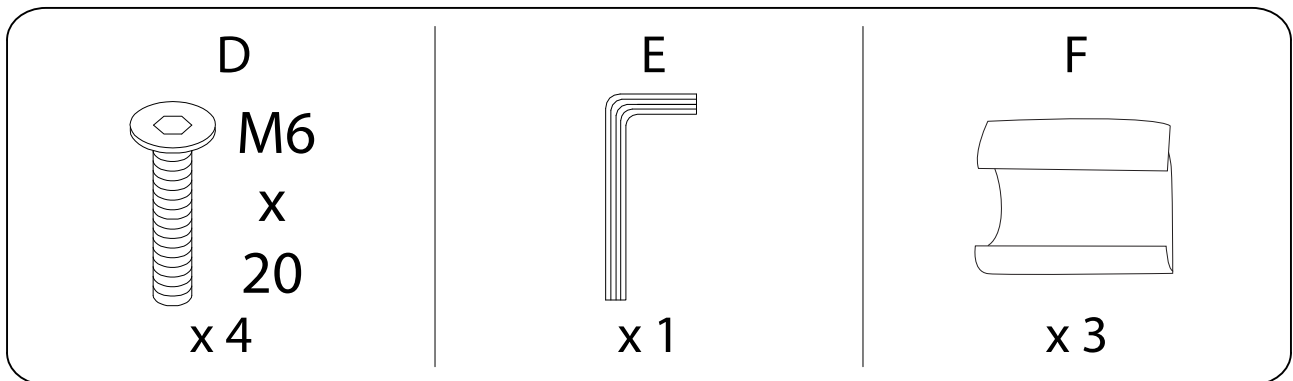
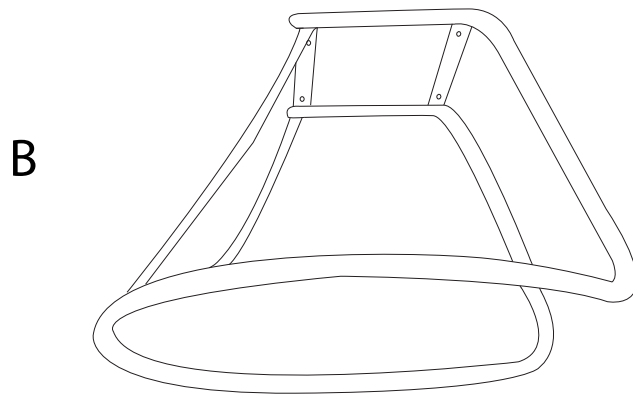
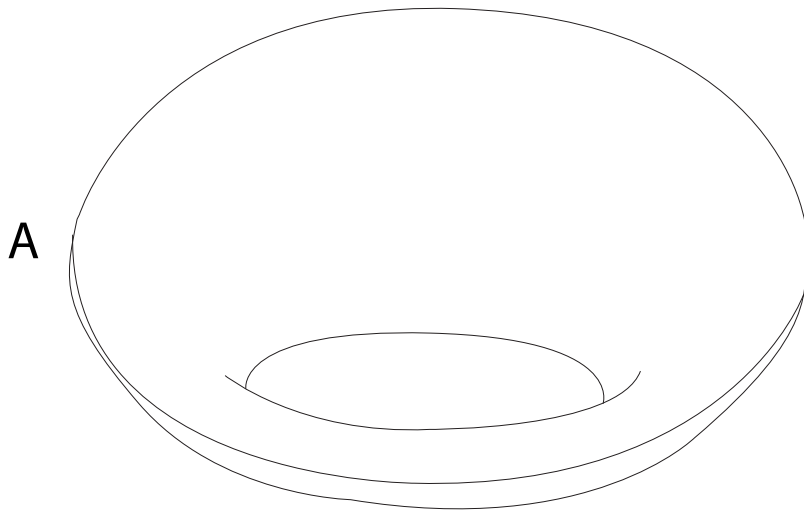
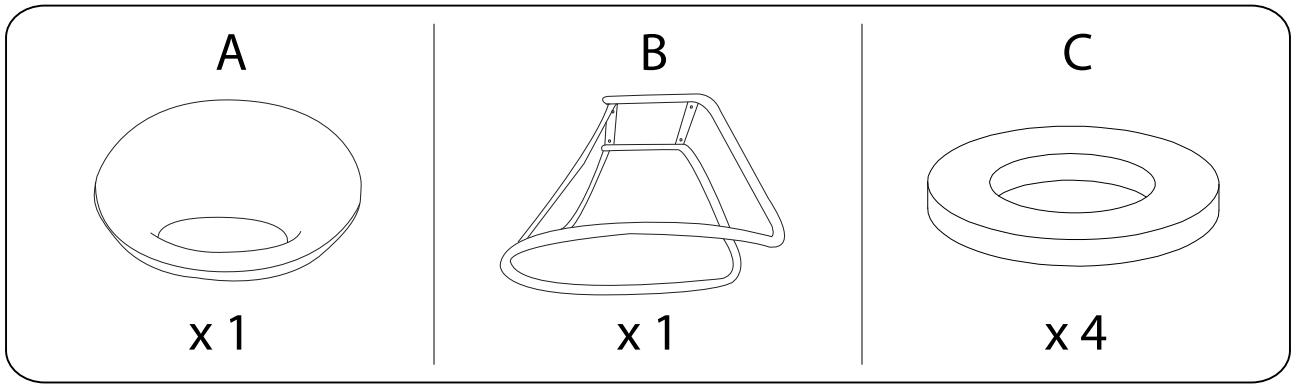
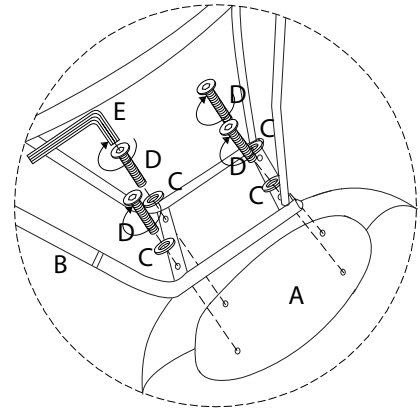
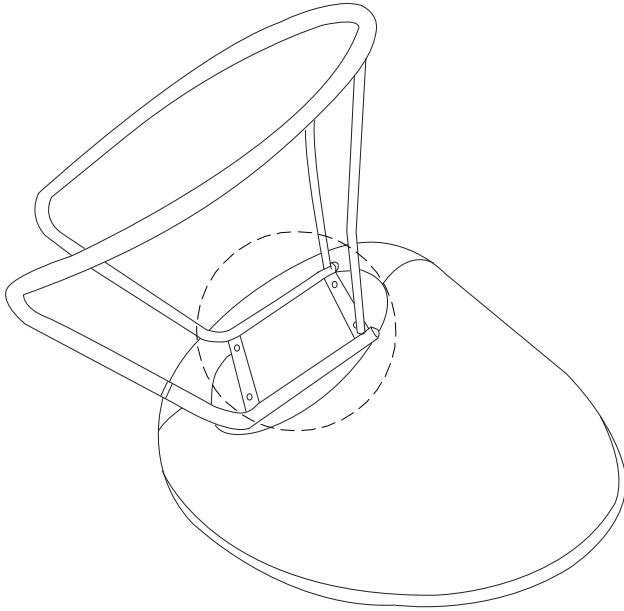
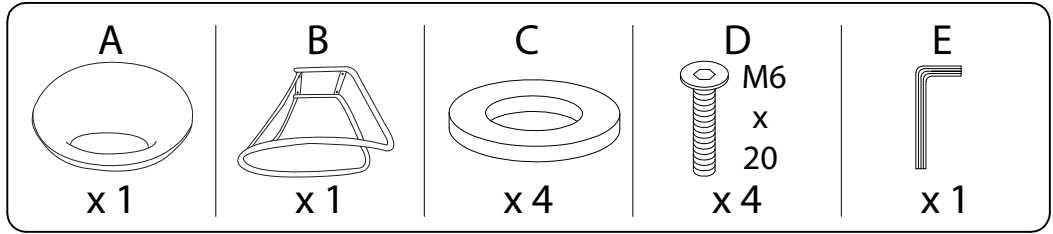


Diagram illustrating assembly steps and safety warnings:

- Step 1:** Shows an L-shaped bracket being inserted into a hole. A power drill is shown with a diagonal line through it, indicating it should not be used. A warning triangle with an exclamation mark is positioned to the right.
- Step 2:** Shows a rectangular block being placed on a surface. A power drill is shown with a diagonal line through it, indicating it should not be used. A warning triangle with an exclamation mark is positioned to the right.
- Time:** A clock icon is shown with the text "10'" below it, indicating a 10-minute assembly time.
- Person:** A stick figure icon is shown with the text "1" below it, indicating that one person is required for assembly.



1



2

