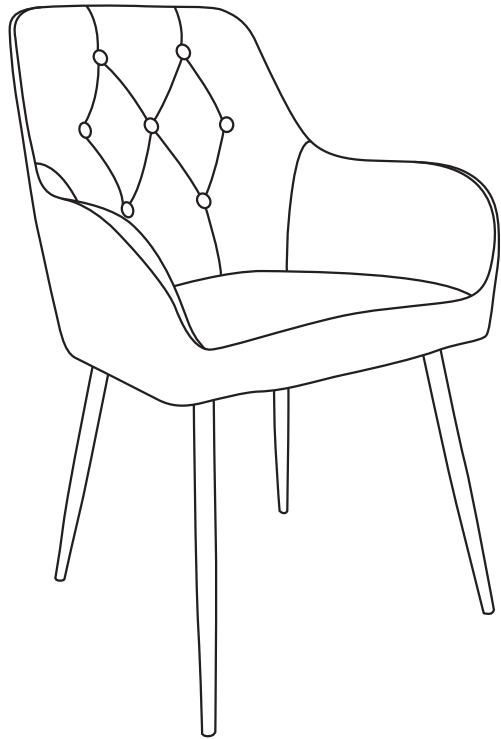
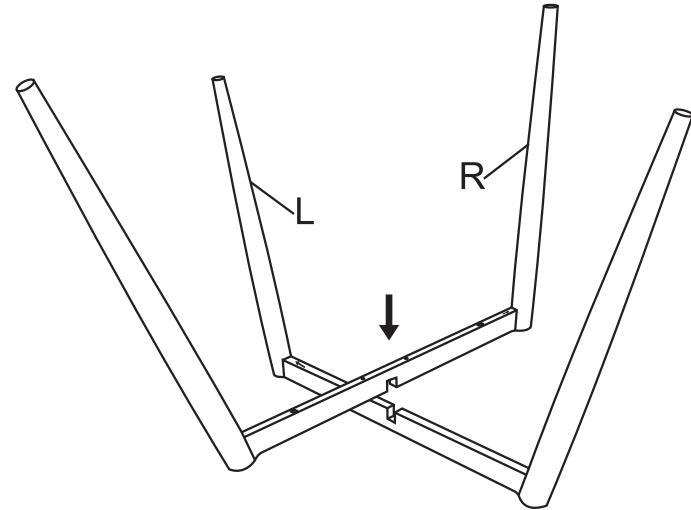


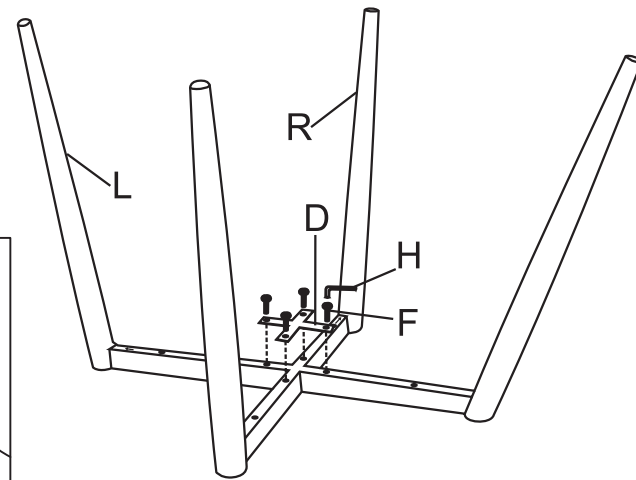
INSTRUCTIONS D ASSEMBLAGE


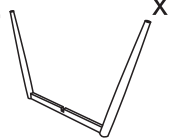
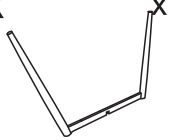







1

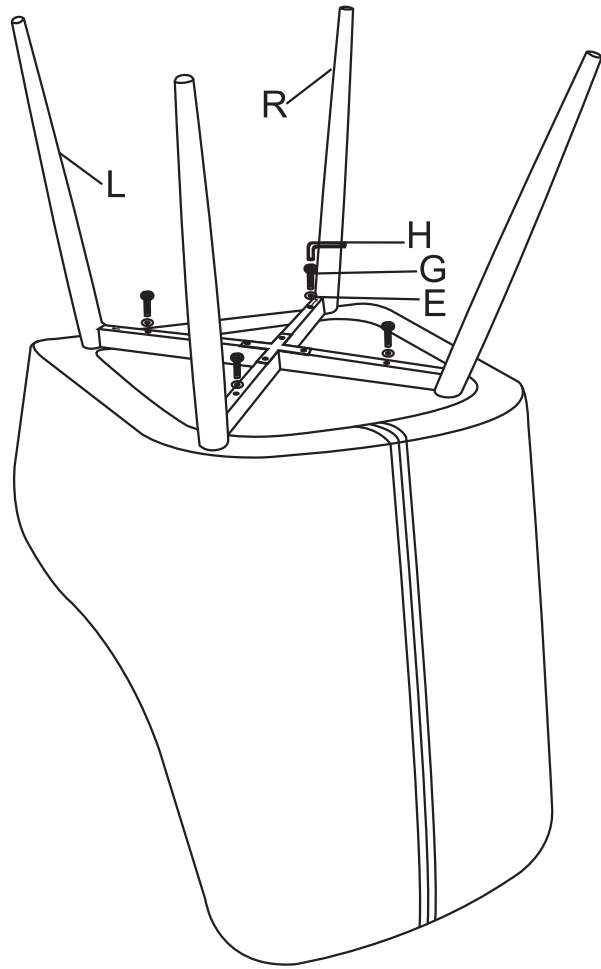


2



A  x1	L  x1	R  x1	D  x1
E  x4 $\varnothing 18 \times \varnothing 6 \times 1.5 \text{ mm}$	F  x4 M6x16mm	G  x4 M6x40mm	H  x1 M4

3



4

