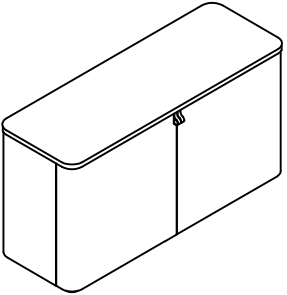


# WRC61020

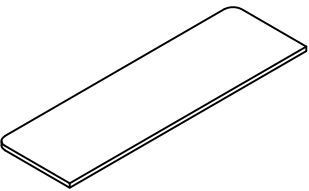
## ASSEMBLY INSTRUCTION

**P1 Cabinet**



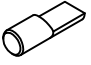
x 1

**P2 Shelf Panel**

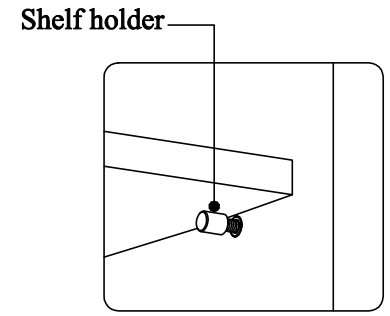
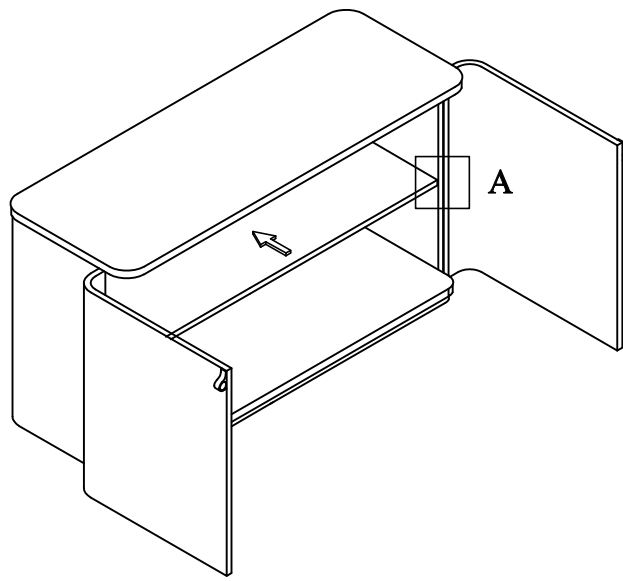


x 1

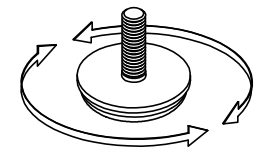
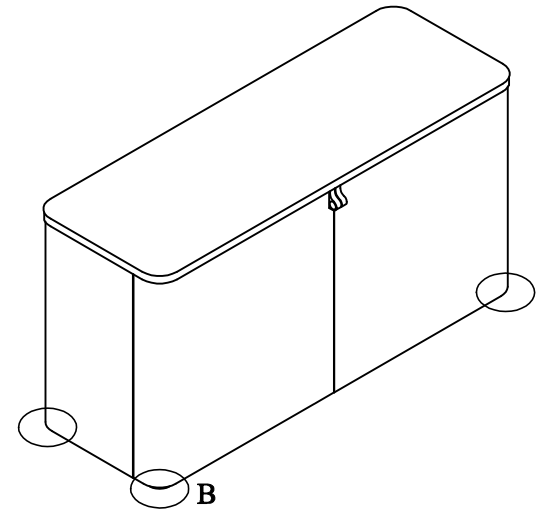
**01 Shelf Holder**



x 4



Detail 'A'



Detail 'B'