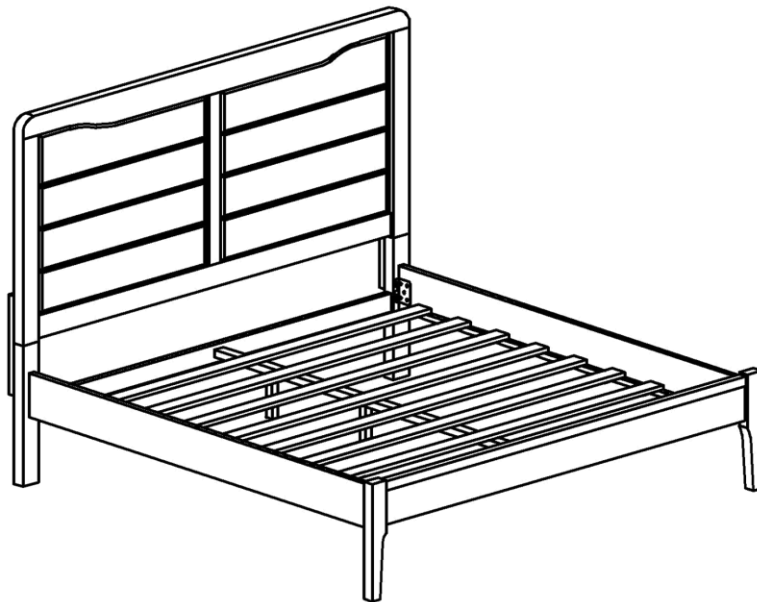


Assembly Instructions

Caution: You must read this before you proceed

Bed



WARNING

STRANGULATION HAZARD.

NEVER place bed near windows where cords from blinds or drapes may strangle a child.

NEVER suspend strings over bed.

NEVER place items with a string, cord, or ribbon, such as hood strings or pacifier cords, around a child's neck. These items may catch on bed parts.

ALWAYS follow assembly instructions.



WARNING!

Not intended for children under the age of six. **INFANTS HAVE DIED FROM BECOMING ENTRAPPED IN BEDS.** Openings in and between bed parts can entrap the neck and head of a small child. NEVER use bed for child under the age of six.

The mattress must be appropriately sized for the bed. If the mattress is undersized, dangerous gaps can exist and a person can become entrapped or entangled in the frame and suffocate.

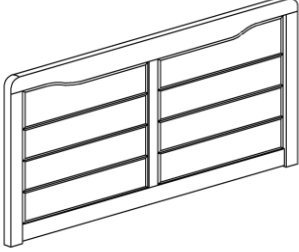
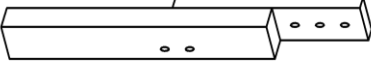
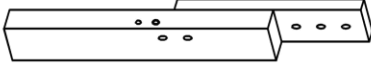
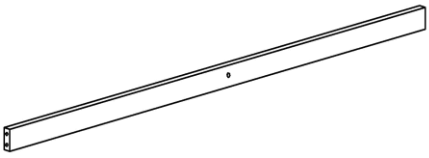
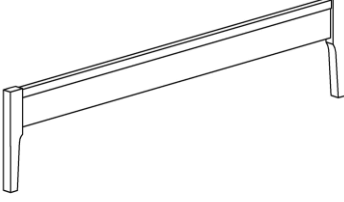
Note: This Bed is NOT a TOY.

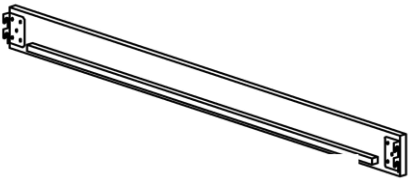
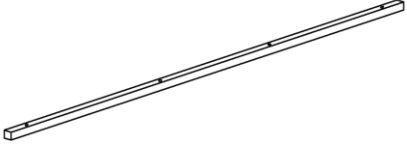
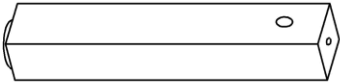
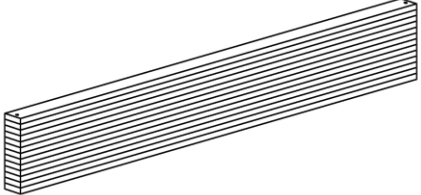
Keep your child/children at bay during the assembly process.

The BED is HEAVY.


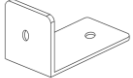
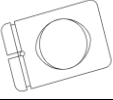
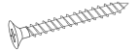
To prevent injury to yourself or damage to the product a minimum of two adults are required whenever moving or lifting it.

Part List

Label	Picture	Description	QTY
A	 A perspective drawing of a rectangular headboard panel with a decorative, slightly curved top edge and horizontal slats.	Headboard Panel	1
B	 A perspective drawing of a rectangular headboard post with a decorative top edge and two small circular holes on its side.	Headboard Post Left	1
C	 A perspective drawing of a rectangular headboard post, similar to B but with four small circular holes on its side.	Headboard Post Right	1
D	 A perspective drawing of a long, thin rectangular headboard support rail with a decorative top edge and a small circular hole on its side.	Headboard Support	1
E	 A perspective drawing of a rectangular footboard panel with a decorative top edge and a vertical support leg on one end.	Footboard Panel	1

F		Side Rail	2
G		Center Support	1
H		Support Post	3
I		Bed Slats	1

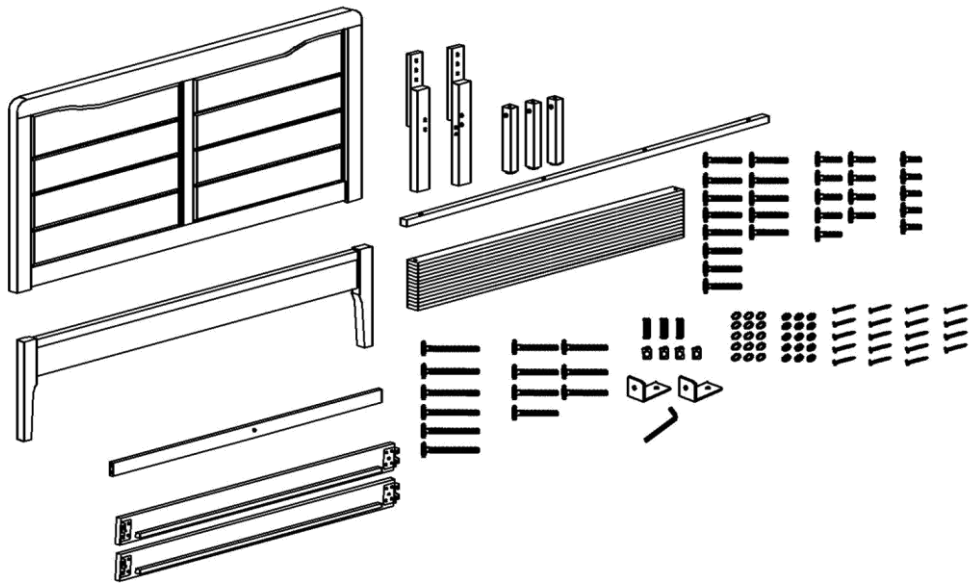
Hardware

Label	Picture	Description	QTY
①		JCBC Bolt (M6x90mm)	6
②		L Bracket	2
③		B/Nut (M6x13mm)	4
④		CSK Screw (M4x32mm)	19

⑤		JCBC Bolt (M6x40mm)	13
⑥		Allen Key (M4)	1
⑦		JCBC Bolt (M6x20mm)	9
⑧		JCBC Bolt (M6x15mm)	5
⑨		JCBC Bolt (M6x50mm)	7
⑩		Spring Washer (M6)	15
⑪		Washer (M6)	15
⑫		Wood Dowel (Φ 10 x 40mm)	3

Assembly Preparation

Before
Beginning
Assembly:



- Read instructions, cover to cover-



- Have 2 adults on hand for assembly-



- Do not assemble on flooring or carpet-



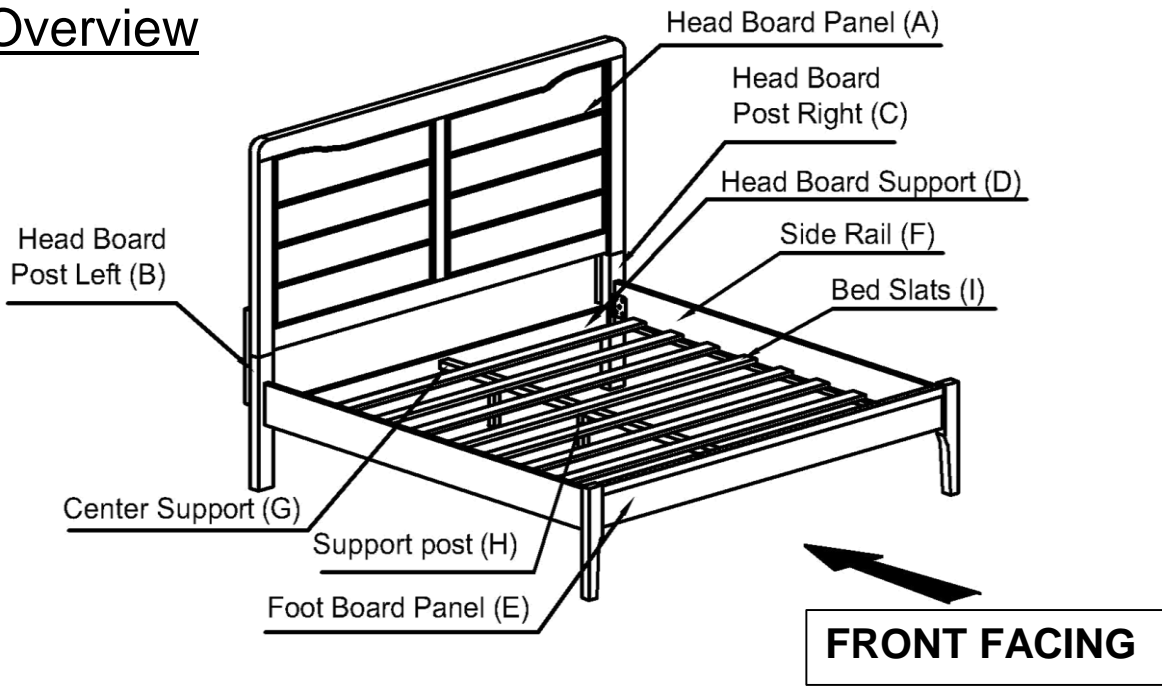
- Assemble on a clean non-marring surface (packing foam)-



- Save all packaging until finished-

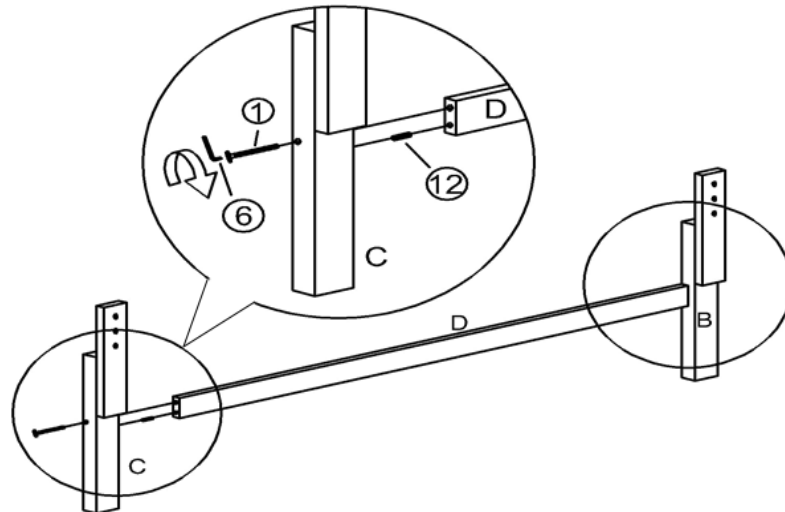
Assembly Steps

Overview



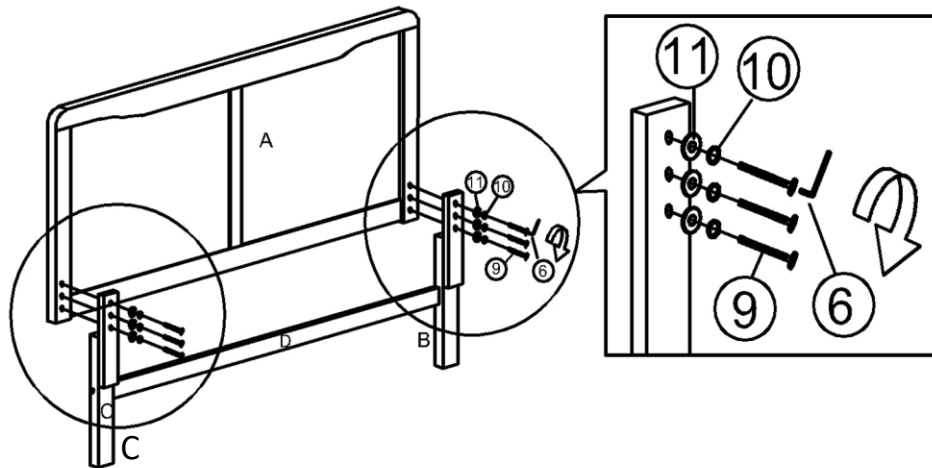
This Queen Bed has multiple parts and may require up to 60 minutes to assemble. To give you an overview of the Queen Bed parts, the above picture is to help you put the various parts into perspective. Please read through the instructions below to familiarise yourself with the parts and steps before assembly.

Step 1



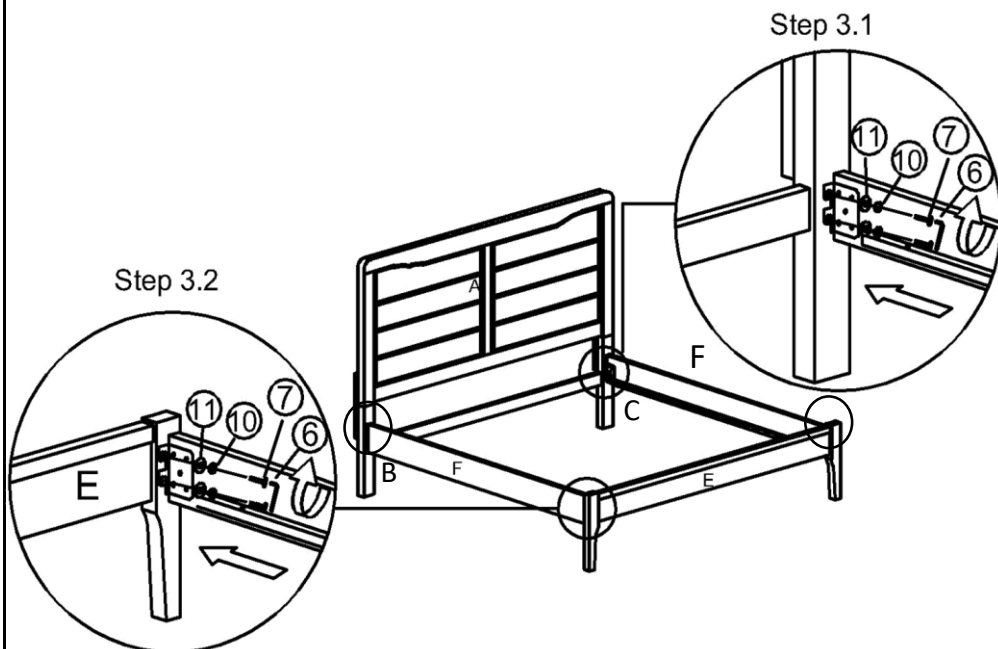
Attach Headboard Post Left(B) and Headboard Post Right(C) to Headboard Support(D) using Wood Dowels(12) and JCBC Bolts(1) with Allen Key(6).

Step 2



With the help of another adult, attach Headboard Panel(A) to Headboard Post Left(B) and Headboard Post Right(C) using JCBC Bolts(9), Spring Washers(10) and Washers(11) with Allen Key(6).

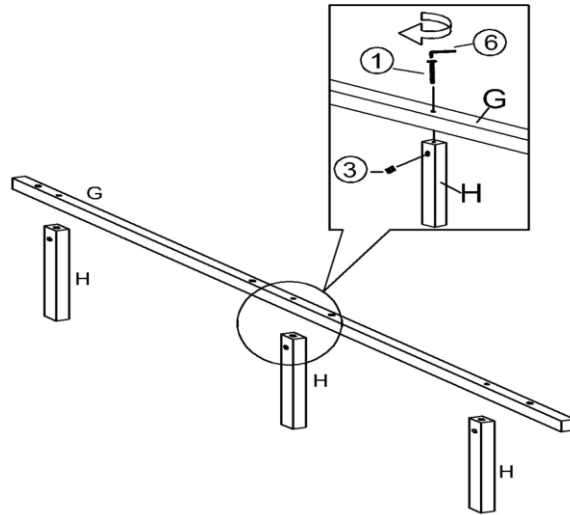
Step 3



3.1) Attach Side Rails(F) to Headboard Post Left(B) and Headboard Post Right(C) using JCBC Bolts(7), Spring Washers(10), and Washers(11) with Allen Key(6).

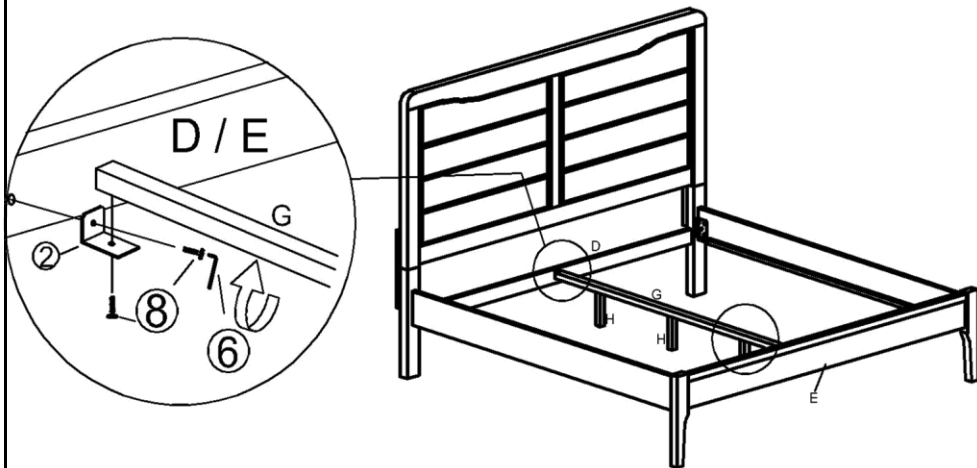
3.2) Attach Side Rails(F) to Footboard Panel(E) using JCBC Bolts(7), Spring Washers(10), and Washers(11) with Allen Key(6).

Step 4



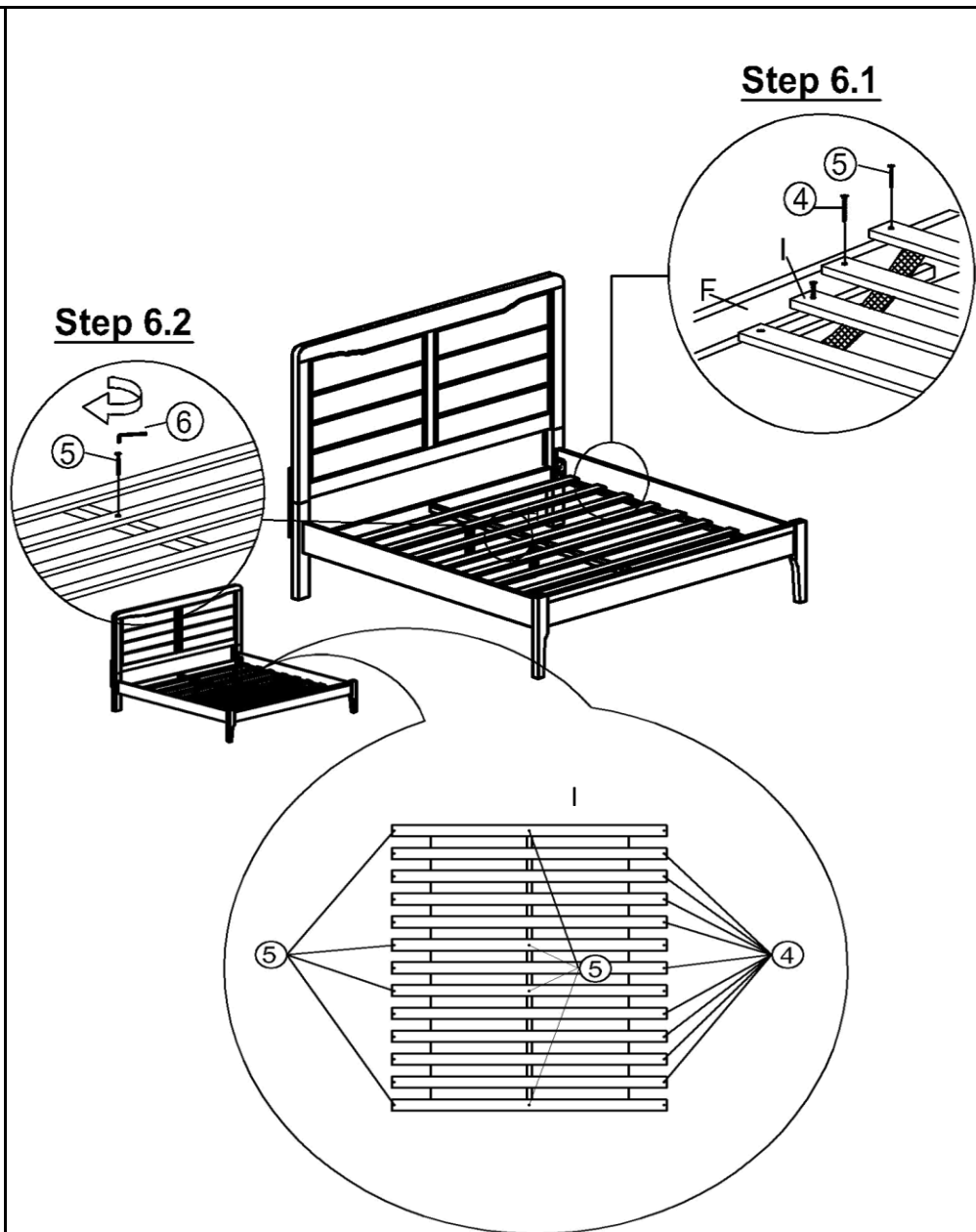
Attach Center Support(G) to Support Posts(H) using JCBC Bolts(①) and B/Nuts(③) with Allen Key(⑥).

Step 5



Attach Center Support(G) to Headboard Support(D) and Footboard Panel(E) using L/Brackets(②), and JCBC Bolts(⑧) with Allen Key(⑥).

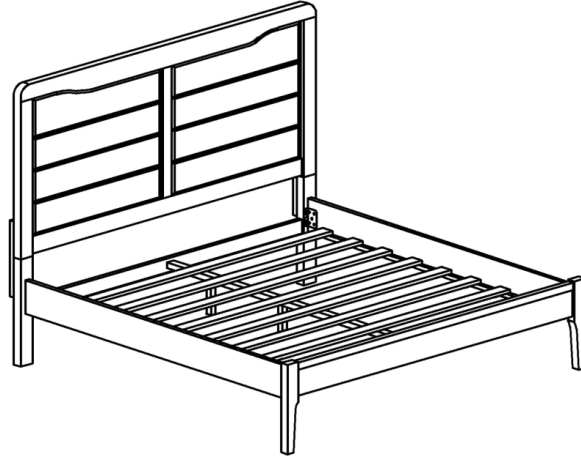
Step 6



6.1) Attach Bed Slats(I) to Side Rails(F) using CSK Screws(4) and JCBC Bolts(5) with Allen Key(6), where indicated on the diagram above.

6.2) Attach Bed Slats(I) to Center Support(G) using JCBC Bolts(5) with Allen Key(6), where indicated on the diagram above.

Step 7



Your Queen Bed is ready to use.

This Queen Bed can only be used on a flat, level surface.

Care & Maintenance

- ⊘  ● Do not put hot items directly on furniture surface
 - ⊘  ● Do not clean furniture with harsh cleansers or polish.
 - ⊘  ● Do not place furniture under direct sunlight.
 - ⊘  ● Do not place furniture near heating or cooling vents.
 - ⊘  ● Do not write on furniture without a padded barrier to protect the surface.
 - ⊘  ● Do not place furniture outside . For indoor use only .
 - ⊘  ● Not for commercial use. For residential use only .
 - ⊘  ● Stains may be removed with mild soap solution and damp cloth.
 - ⊘  ● Children should not climb or jump on the furniture.
-
- ✓  ● Dust and pick-up spills using a clean, non-colored, lint-free cloth .