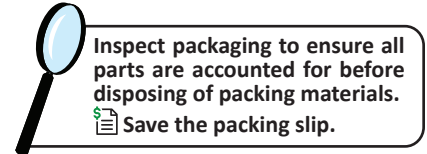
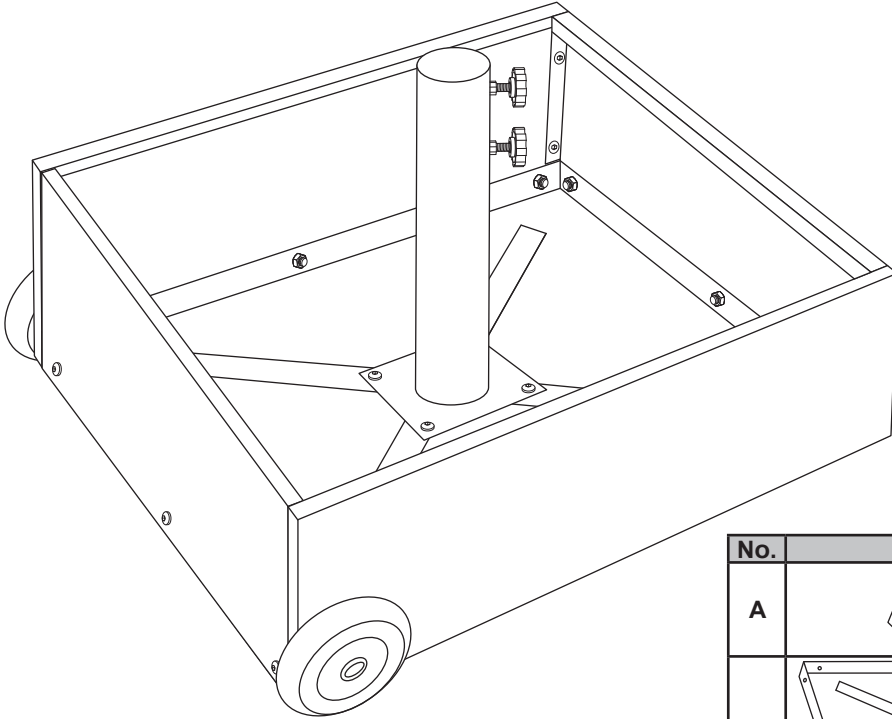


Thank you for choosing . We stand behind our brand and the quality of the items we sell. Replacement parts or products will be sent at our discretion within the 1-year warranty period. Proof of purchase, with the date of purchase as well as photos of the merchandise defect, must be provided. Photos are used to determine the cause of defects and for future quality control.

UMBRELLA BASE PLANTER

Review all assembly and care information before using this product. Save this manual for future reference.

Assemble components on a soft, clean surface to avoid damaging the finish.

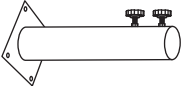
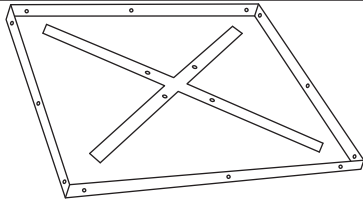
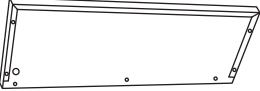
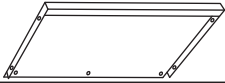








INCLUDED TOOLS	
	Spanner

RECOMMENDED TOOLS (NOT INCLUDED)	
	Phillips Screwdriver

⚠ WARNING ⚠

CHOKING HAZARD — This item contains small parts that can be swallowed. Keep children and pets away during assembly.

No.	PARTS		QTY.
A		Umbrella Pole	1
B		Base Plate	1
C		Wheel Side Panel (L/R)	2
D		Side Panel (F/B)	2
E		Axle	1
F		Wheel	2
G		Spacer	2
H		Axle Cap	2
I		M6x12mm Bolt Set	20
J		M8x25mm Bolt Set	4

⚠ WARNING:
 Manufacturer and seller expressly disclaim any and all liability from personal injury, property damage or loss, whether direct or indirect, or incidental, resulting from the incorrect attachment, improper use, inadequate maintenance, or neglect of this product.

ASSEMBLY

Review all steps and understand assembly before beginning.

Do not fully tighten hardware until instructed to do so.

NOTE: Use the flat washer next to the bolt head and the split washer next to the nut.

1. Align two Wheel Side Panels (C) and two Side Panels (D) with Base (B) and loosely secure the bottom of each side panel to the base using three M6x12mm Bolt Sets (I).

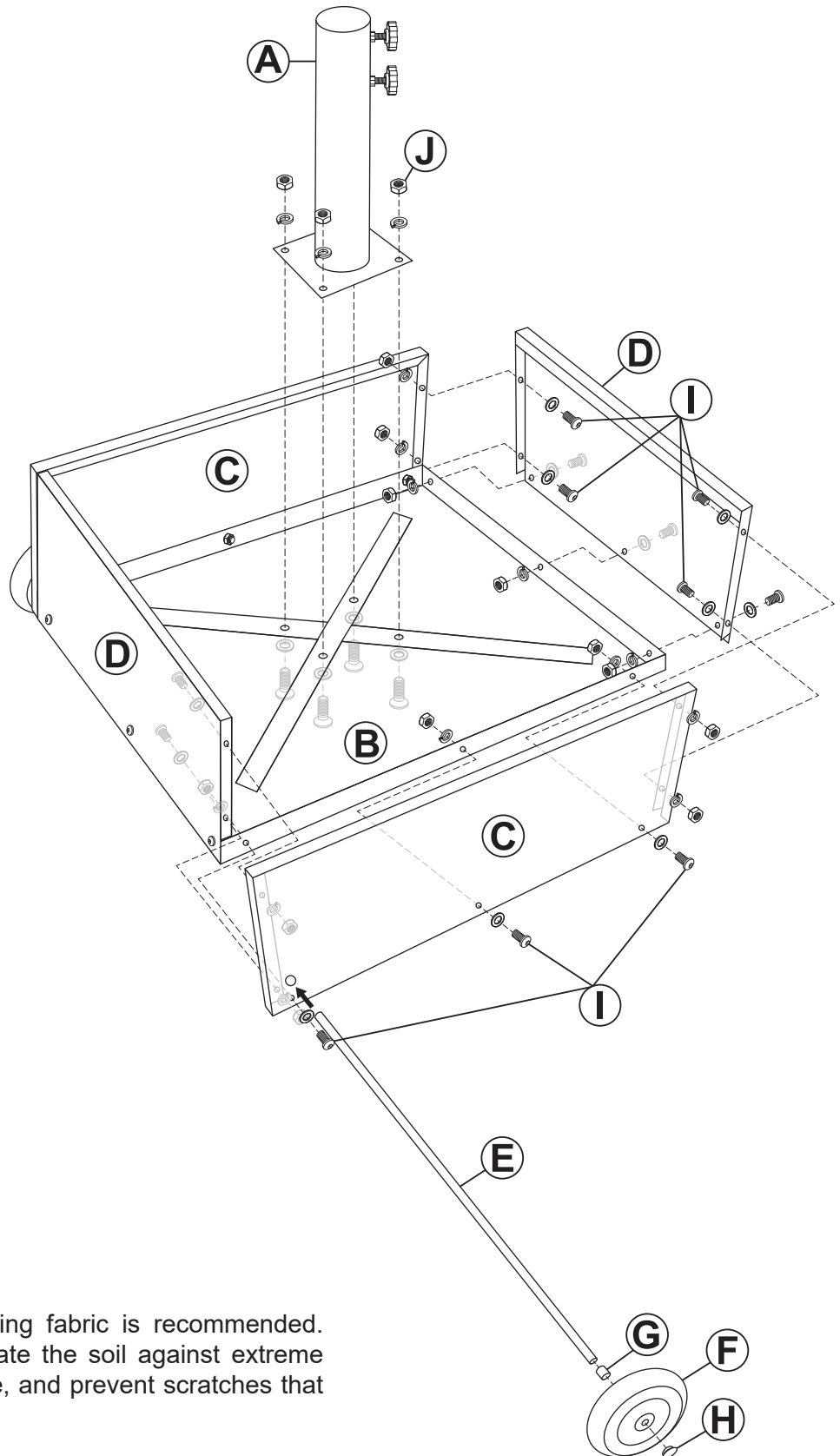
NOTE: Use the flat washer next to the bolt head and the split washer next to the nut.

2. Loosely secure the edges of the side panels using two M6x12mm Bolt Sets (I).

3. Slide Axle (E) through the hole in the wheel side panels. Place Spacer (G) and Wheel (F) on the axle and firmly press Axle Cap (H) into the axle. Repeat on the opposite side.

4. Fully tighten all bolts.

5. Secure Umbrella Pole (A) to the base using four M8x25mm Bolt Sets (J).



! HELPFUL HINT

Lining the planter box with landscaping fabric is recommended. Lining the planter box can help insulate the soil against extreme temperatures, help retain soil moisture, and prevent scratches that could lead to rust.



IMPORTANT SAFETY INFORMATION



This base must be weighted down before use with an umbrella.

◀ **Manufacturer is not liable for any damage associated with improper use of this product.** ▶

TIP: To add weight to the base, line the bottom of the planter with rocks or stones.

USE & CARE

LEVEL SURFACE: Select a flat, level surface to place this item before filling and using it.

INSPECT: Periodically check the hardware and tighten as necessary.

WATERING: Take care when watering. Overwatering may lead to hardscape and surface damage due to leaks and/or run-off.

MOVING: Remove your umbrella before moving this base. Do not allow the metal to drag on the ground while moving as doing so will scratch the powder coating, leading to rust.

CLEANING: Wipe surfaces with a damp cloth. Do not use chemicals, polish or abrasive materials when cleaning.

WINTER CARE & STORAGE: To prevent damage, empty and/or store indoors during freezing temperatures.

SCRATCHES: The powder coating is tough and durable, but some scratching is inevitable. To prevent rust, wipe scratched areas to remove moisture. Scratches can be repaired with rust-resistant paint (not included); consult an expert at your local hardware store.

WARNING: THE ONE-YEAR WARRANTY DOES NOT COVER DAMAGES OR DEFECTS CAUSED BY THE APPLICATION OF CHEMICAL TREATMENTS, PROTECTIVE COATINGS, TOUCH-UP PAINT, OR CLEANING PRODUCTS.



SAFETY STATEMENTS & WARNINGS



- Close patio umbrellas when not in use. Always remove and store umbrellas during high-wind conditions; the base is designed for supporting an umbrella during calm weather conditions only, it will not protect your umbrella from wind damage.
- Do not over-tighten the threaded knobs as it may damage your umbrella pole.
- Never stand on any part of the base.

Any modification to the product or failure to follow recommended care will void the product warranty.

If you experience issues with assembly or the product was damaged during shipping, please contact our customer service team through one of the methods mentioned at the top of page 1.

Please have the item number and order information ready to expedite response time.



WARNING:

Manufacturer and seller expressly disclaim any and all liability from personal injury, property damage or loss, whether direct or indirect, or incidental, resulting from the incorrect attachment, improper use, inadequate maintenance, or neglect of this product.