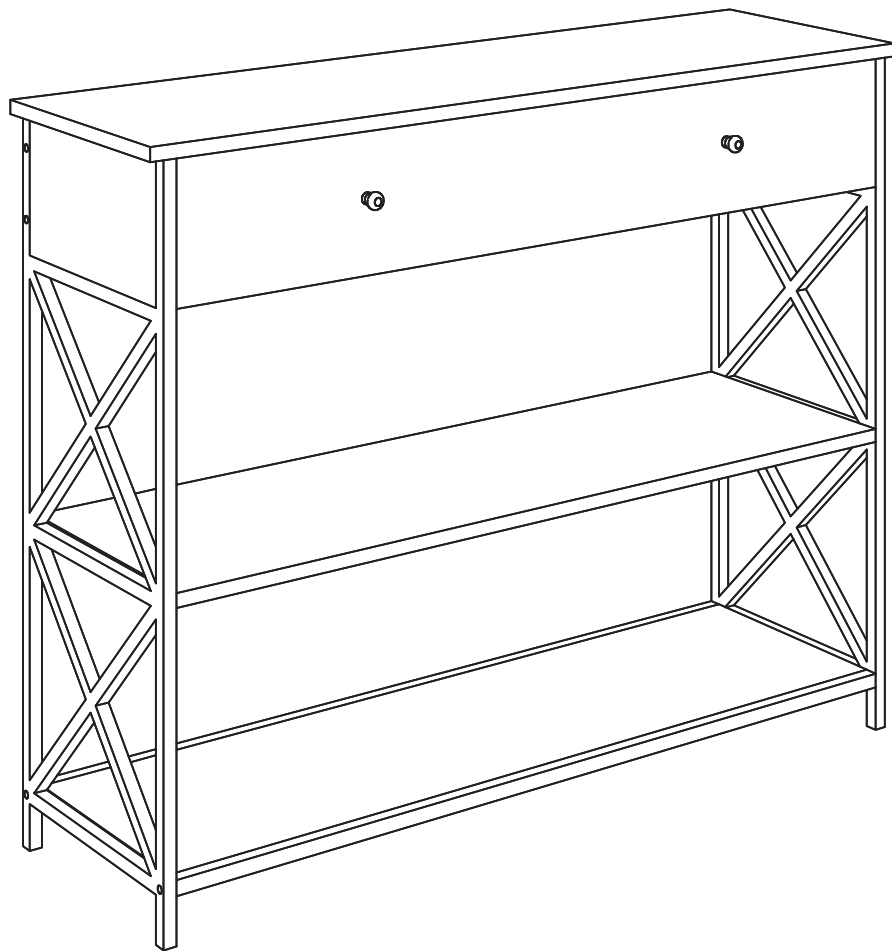


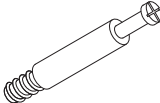

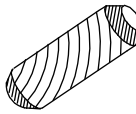
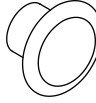

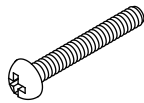

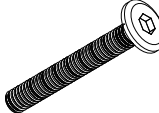






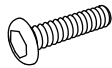
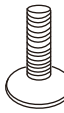
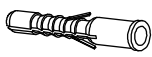
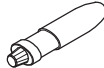
ONE DRAWER CONSOLE TABLE



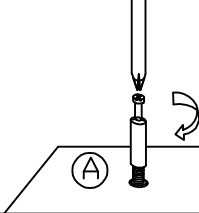
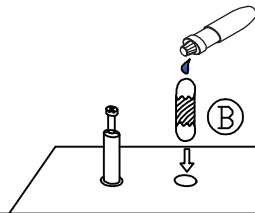
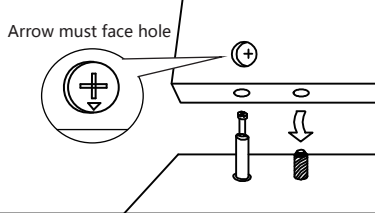
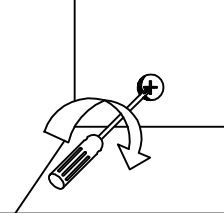
ASSEMBLY INSTRUCTIONS

We have designed our furniture with you , the customer in mind . Our clear , easy to follow , step by step instructions will guide you through the project from start to finish .
Feel confident that this will be a fun and rewarding project . The final product will be a quality piece of furniture that will go together smoothly and give years of enjoyment .

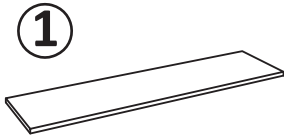
Hardware List

A 	B 	C 	D 
Cambolt (17pcs)	Camlock (17pcs)	Wood dowel (8pcs)	Handle (2pcs)
E 	F 	G 	H 
Drawer screw (4pcs)	Handle screw (2pcs)	Locking nut (4pcs)	Allen Bolt (4pcs)
I 	J 	K 	L 
Cable tie (2pcs)	Eyelet screw (2pcs)	Short screw (2pcs)	Bracket (2pcs)
M 	N 	O 	P 
Allen Screw (4pcs)	Allen Wrench(1pcs)	Short Allen Screw (12pcs)	Foot (4pcs)
Q 	R 	Glue : For securing please apply to wood dowel first before inserting into panel .	
Plastic anchor (2pcs)	Glue (1pc)		

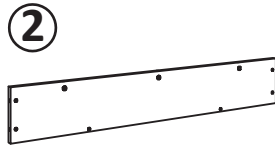
Assembling the unit with camlocks and wood dowels.

			
Gently screw cambolt into the threaded anchor.	Lightly glue one end of the wood dowel and tap halfway into hole.	Lightly glue wood dowel and connect to second panel by inserting dowels into holes.	Screw the camlock firmly into locked position.

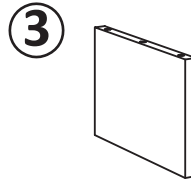
Panel List



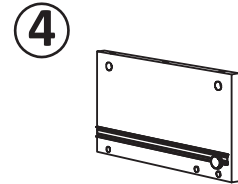
Top panel (1pc)



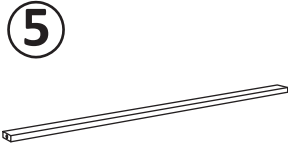
Back panel (1pc)



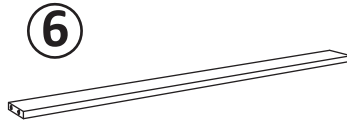
Left panel (1pc)



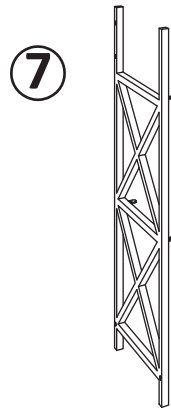
Right panel (1pc)



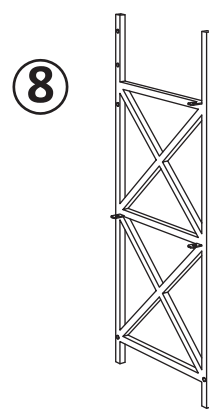
Support bar A (1pc)



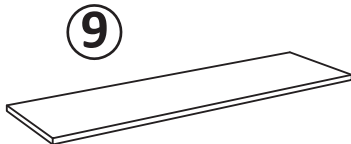
Support bar B (1pc)



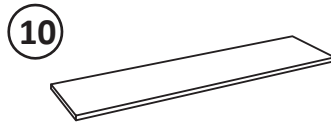
Left frame (1pc)



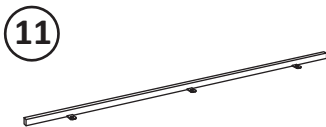
Right frame (1pc)



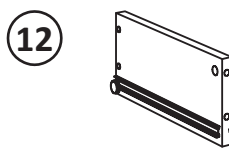
Middle panel (1pc)



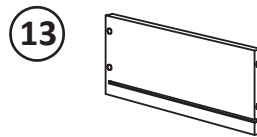
Bottom panel (1pc)



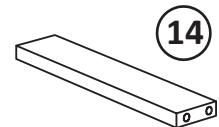
Metal tube (2pcs)



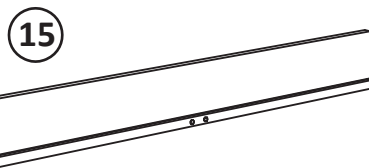
Drawer left panel (1pc)



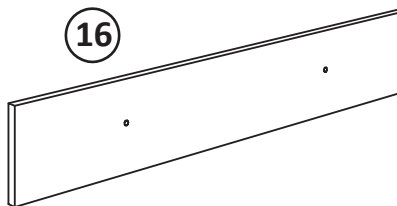
Drawer right panel (1pc)



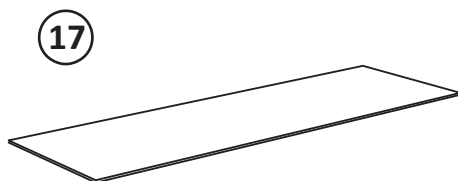
Drawer support bar (1pc)



Drawer back panel (1pc)



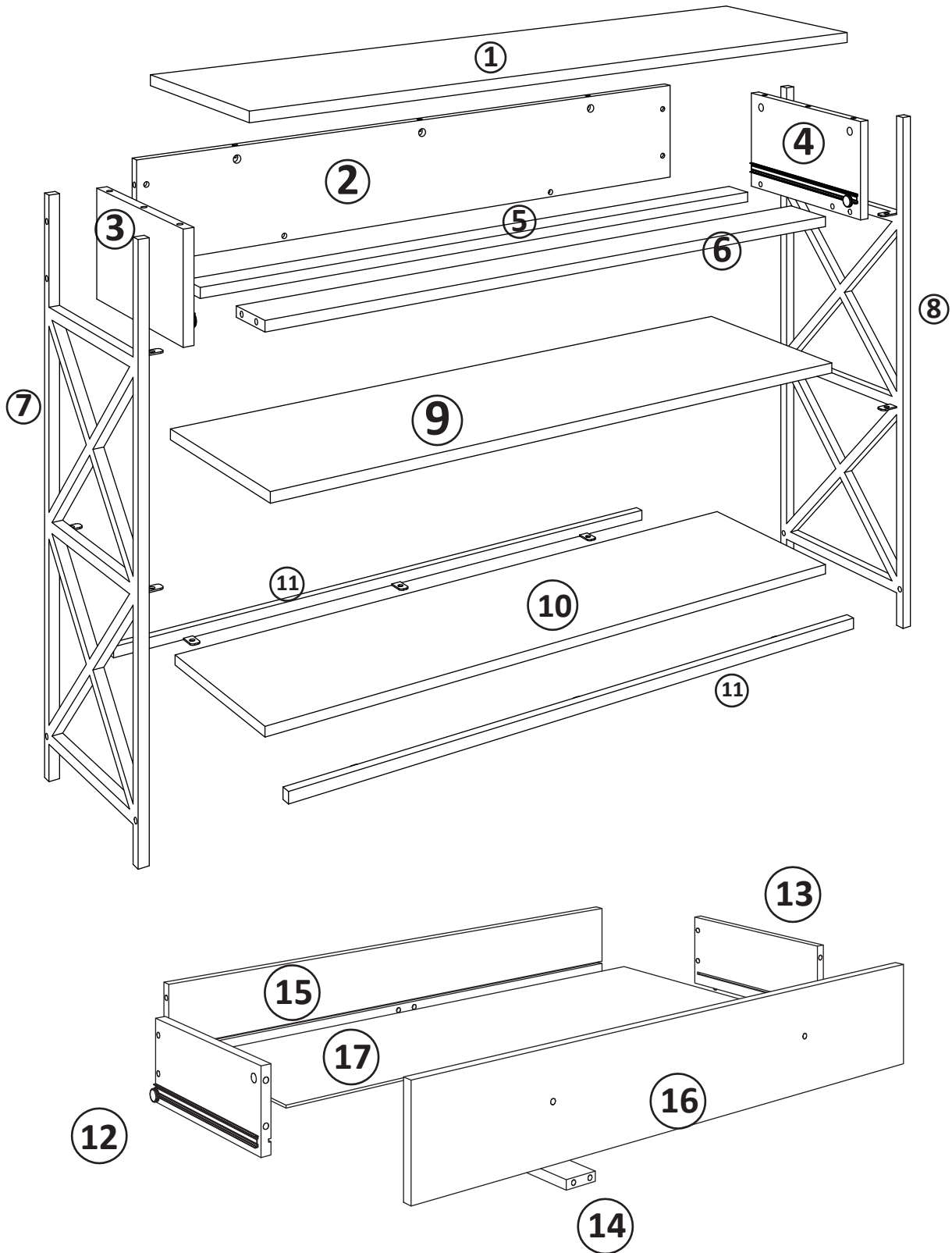
Drawer front panel (1pc)



Drawer bottom panel (1pc)

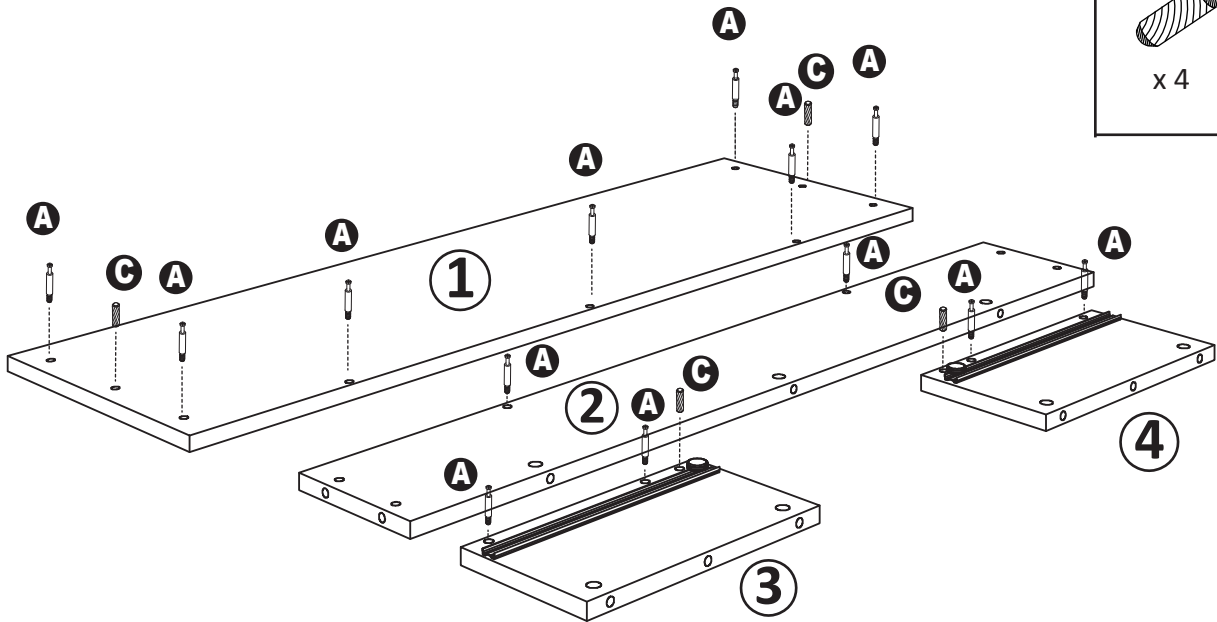
Please count and verify all parts before assembly.

Exploded Views



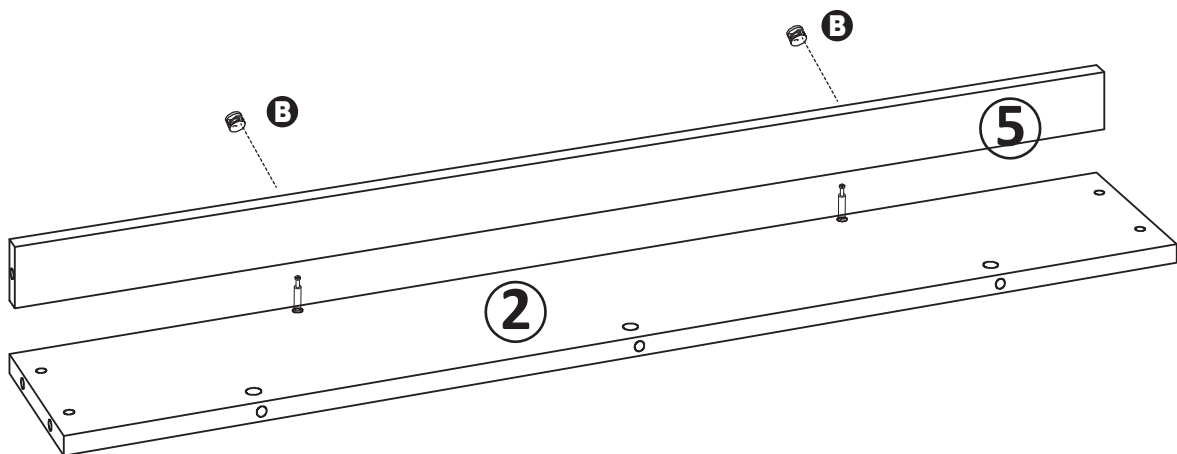
Step 1

1. Gently screw cambolts (A) and insert wooden dowels (C) into top panel ① back panel ② left panel ③ and right panel ④ as shown.



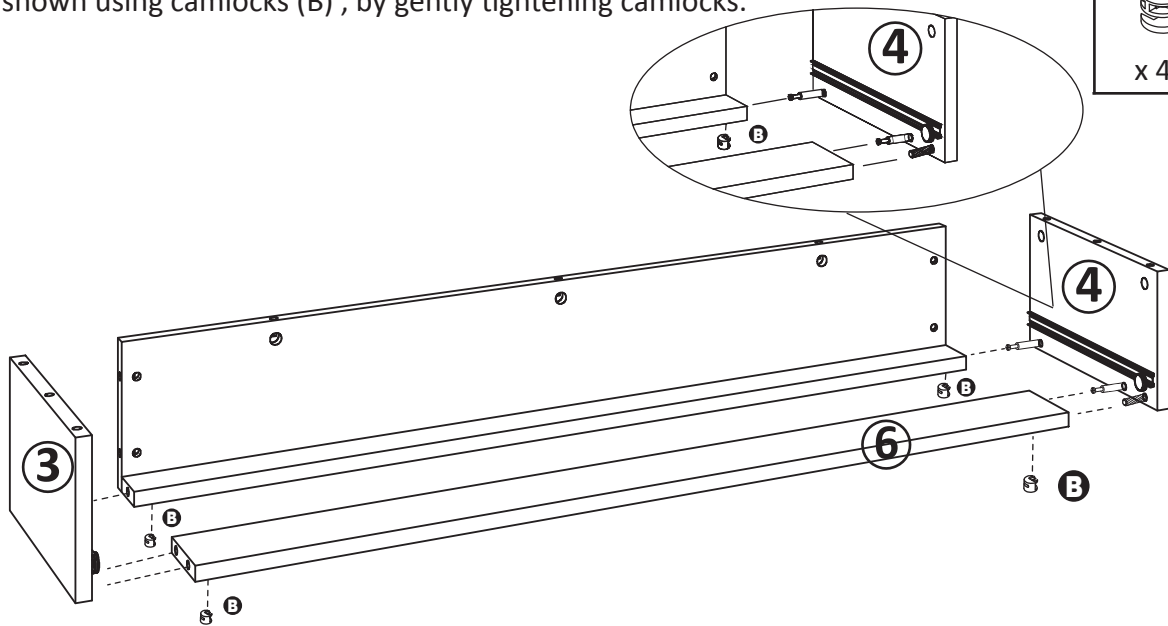
Step 2

1. Attach support bar A (5) to back panel (2) using Camlocks (B) by gently tightening camlocks.



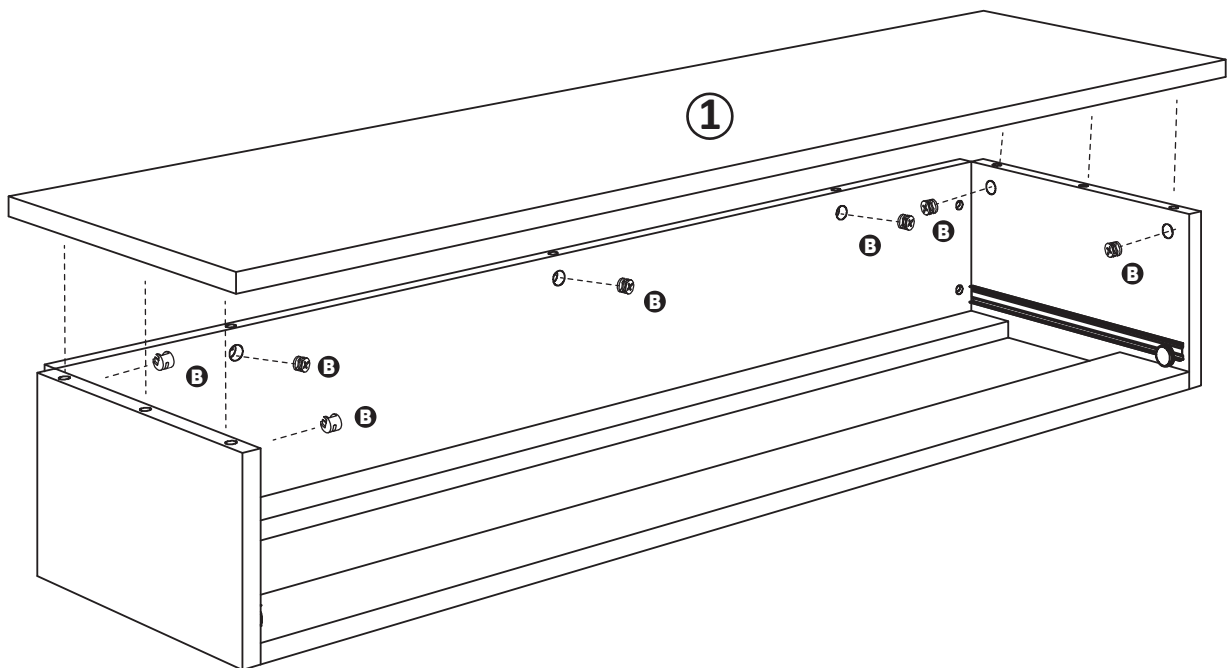
Step 3

1. Connect left panel ③ and right panel ④ to unit and support bar ⑥ as shown using camlocks (B), by gently tightening camlocks.



Step 4

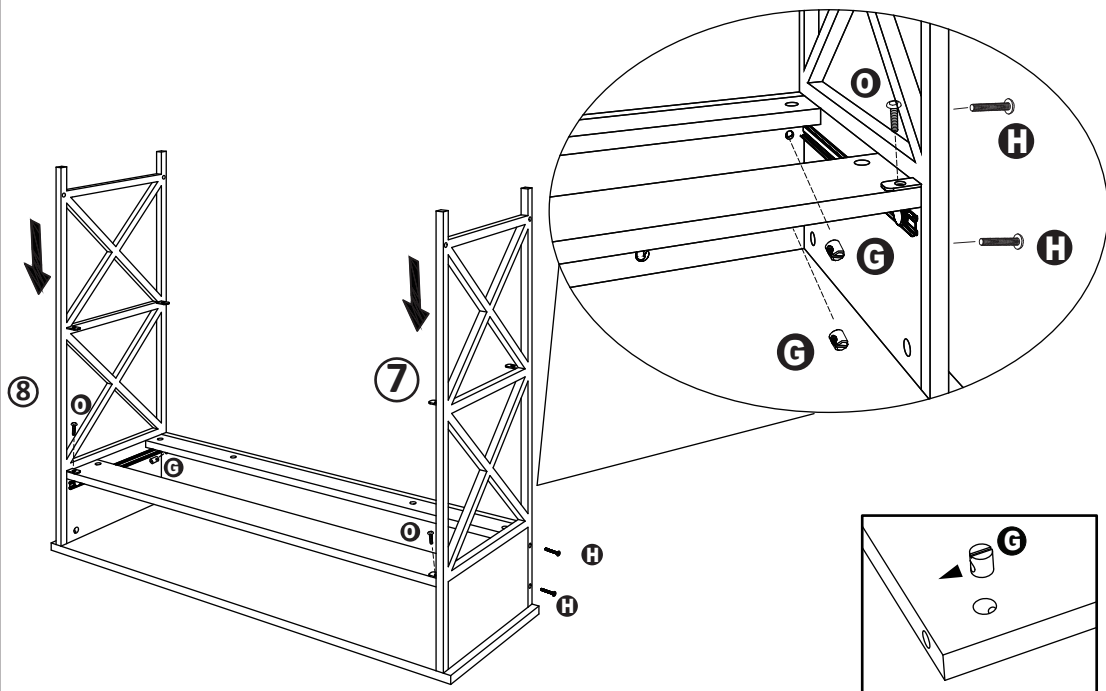
1. Connect top panel ① to assembly as shown using camlocks (B), by gently tightening camlocks.



Step 5

*Assemble unit on carpet or flat surface.

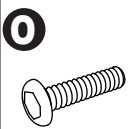
1. Connect the frame ⑦ & ⑧ to unit as shown using allen bolts (H) locking nuts (G) short allen screws (O) and allen wrench (N).



x 4



x 1



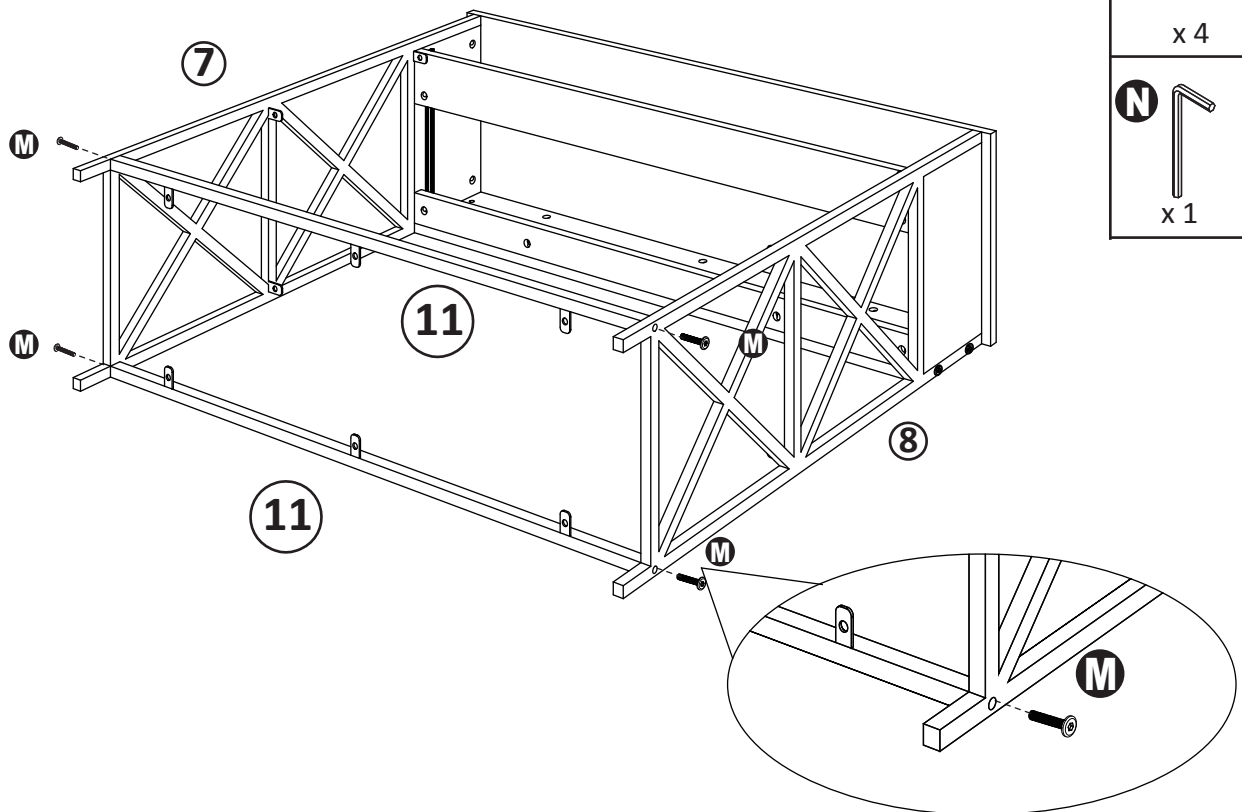
x 2



x 4

Step 6

1. Connect left frame ⑦ and right frame ⑧ to metal tubes ⑪ using allen screws (M) and allen wrench (N).



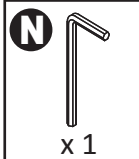
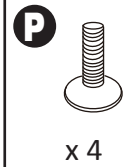
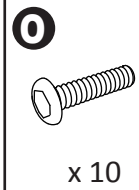
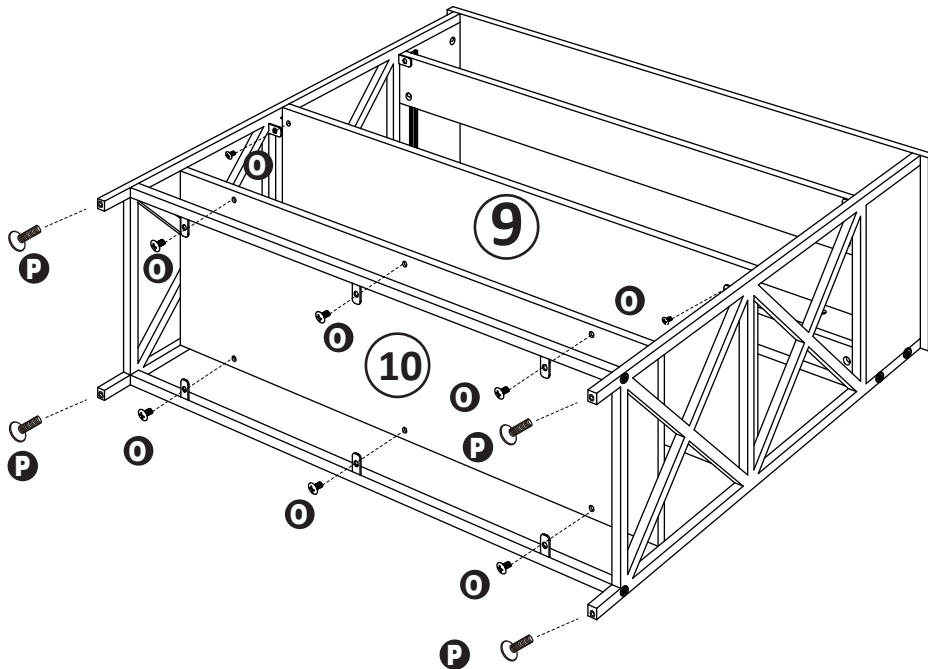
x 4



x 1

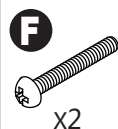
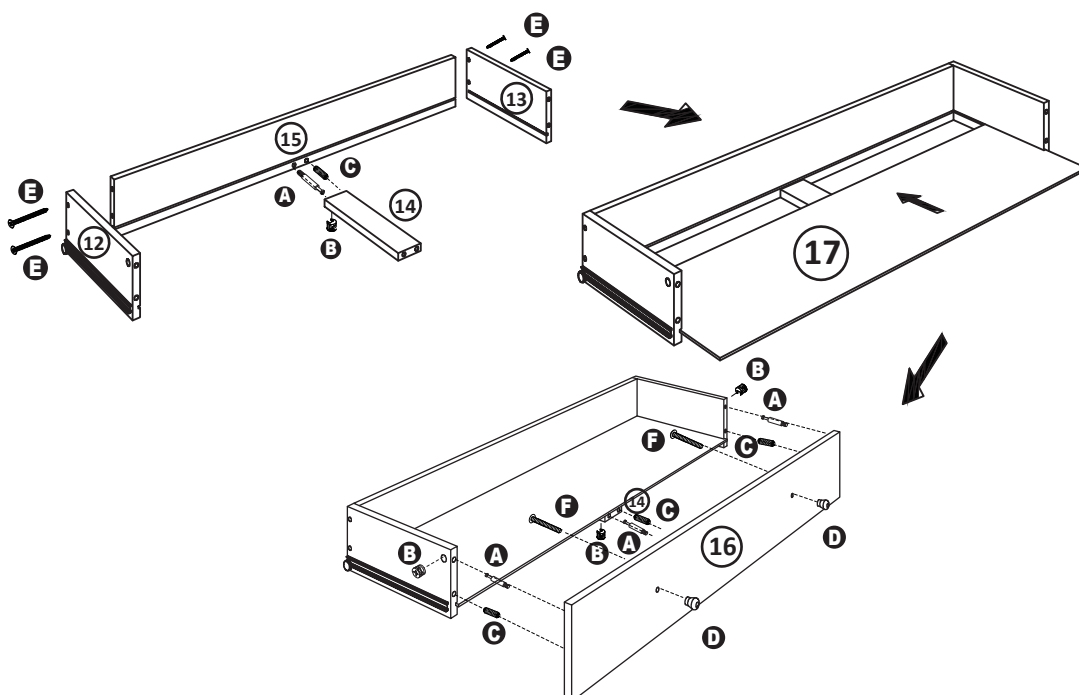
Step 7

1. Connect the bottom panel (10) and middle panel (9) to frame assembly as shown using short allen screws (O) and allen wrench (N).
2. Screw feet (P) into frame assembly as shown.



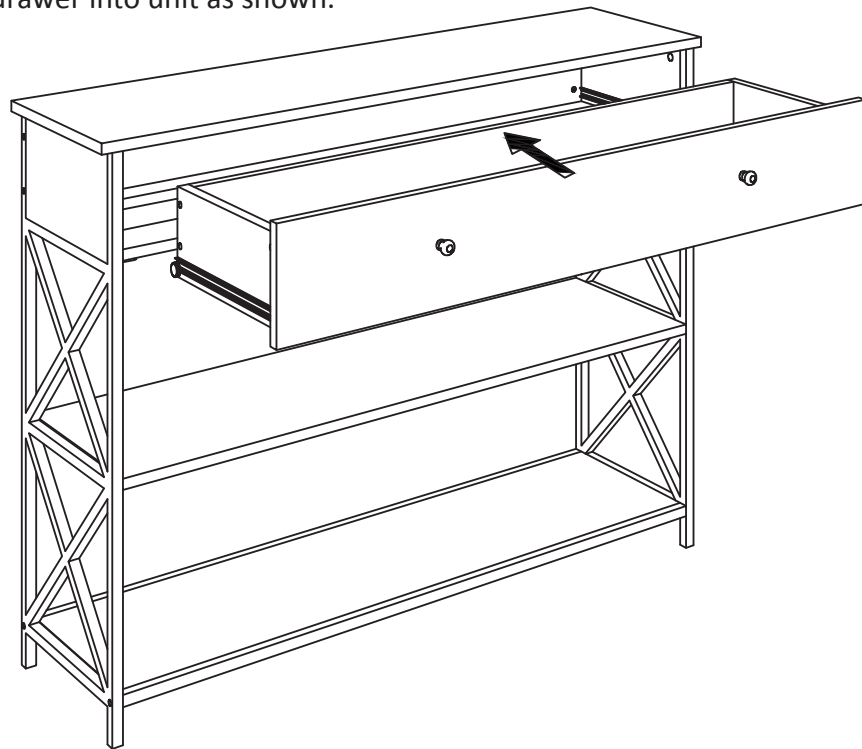
Step 8

1. Attach drawer side panels (12) & (13) and drawer bottom support bar (14) to drawer back panel (15) using drawer screws (E), cambolt (A), camlock (B) and wood dowel (C).
2. Insert drawer bottom panel (17) into grooves of drawer assembly.
3. Connect drawer front (16) to assembly by using camlocks (B)
4. Attach handles (D) to drawer front (16) by using handle screws (F).



Step 9

1. Carefully place drawer into unit as shown.



Step 10

1. Connect bracket (L) to unit as shown using short screw (K).
2. Drill hole slightly smaller than plastic anchor (Q) into drywall and gently tap plastic anchor into hole.
3. Gently screw eyelet screw (J) into plastic anchor (Q) and fasten unit to wall using cable tie (I).

