

WARNING!!

Children have died from furniture tipover.
Tip restraints have been included with this product;
you must install the tip restraints according to these instructions in order to
minimize the risk of furniture tipping.

NEVER allow children to climb or hang on furniture, including drawers or cabinet doors.

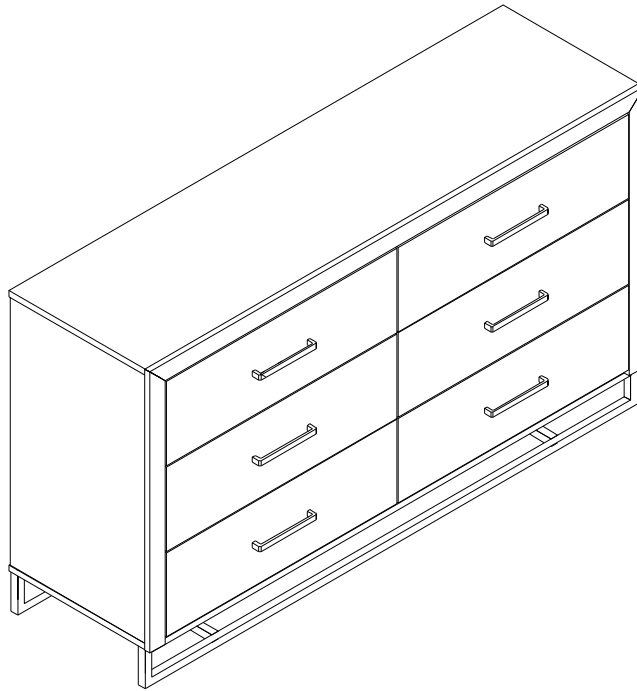
In addition to installing the restrains ,to help prevent tipover.
1. **NEVER** put a TV or other heavy objects on top of this product.
2. Do not stand on the product.

 WARNING	
	<p>Children have died from furniture tipover. To reduce the risk of furniture tipover:</p> <ul style="list-style-type: none">• ALWAYS install tipover restraint provided.• NEVER put a TV on this product.• NEVER allow children to stand, climb or hang on drawers, doors, or shelves.• NEVER open more than one drawer at a time.• Place heaviest items in the lowest drawers.• Do not defeat or remove the drawer interlock system.
	<p><i>This is a permanent label. Do not remove!</i></p>

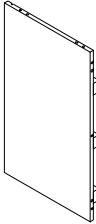
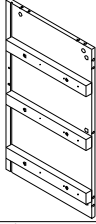
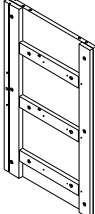
Assembly Instructions

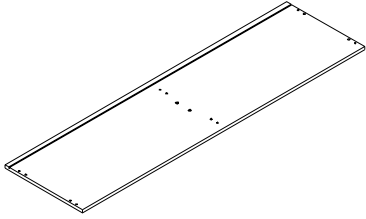
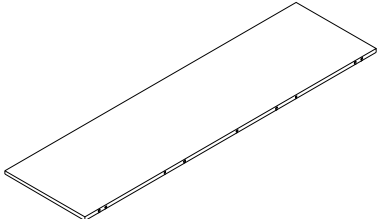
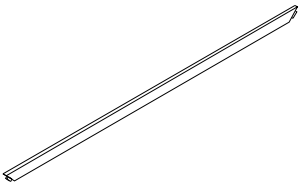


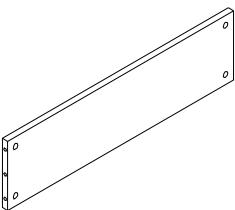
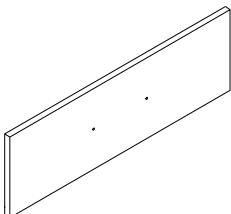
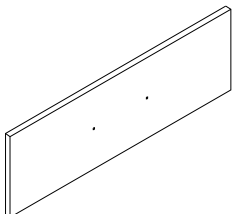
Caution : You must read this before you proceed

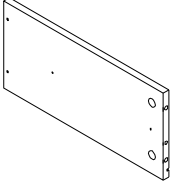
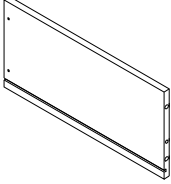
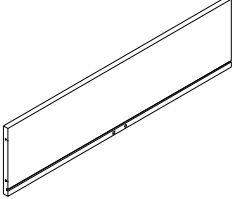
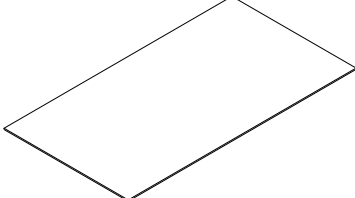
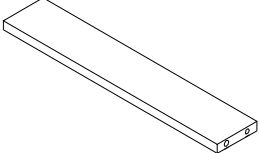
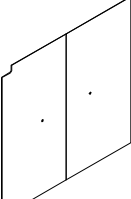
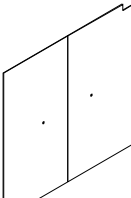
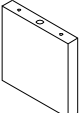
6 DRAWER CHEST



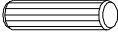

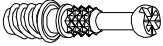





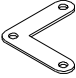
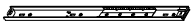

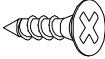
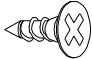
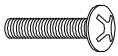
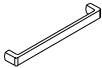
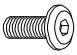
Part List


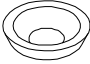

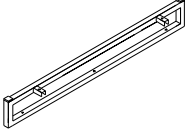
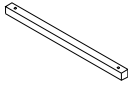

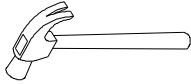
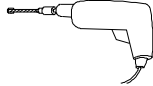



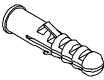
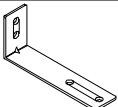
Label	Picture	Description	QTY
①		Left Side Panel	1
②		Right Side Panel	1
③		Center Panel	1

<p>④</p>		<p>Bottom Panel</p>	<p>1</p>
<p>⑤</p>		<p>Top Panel</p>	<p>1</p>
<p>⑥</p>		<p>Top Frame</p>	<p>1</p>
<p>⑦</p>		<p>Left Side Frame</p>	<p>1</p>
<p>⑧</p>		<p>Right Side Frame</p>	<p>1</p>
<p>⑨</p>		<p>Back Support Panel</p>	<p>2</p>
<p>⑩</p>		<p>Left Drawer Front</p>	<p>3</p>
<p>⑪</p>		<p>Right Drawer Front</p>	<p>3</p>

<p>12</p>		<p>Drawer Left Side Panel</p>	<p>6</p>
<p>13</p>		<p>Drawer Right Side Panel</p>	<p>6</p>
<p>14</p>		<p>Drawer Back Panel</p>	<p>6</p>
<p>15</p>		<p>Drawer Panel</p>	<p>6</p>
<p>16</p>		<p>Drawer Support Panel</p>	<p>6</p>
<p>17</p>		<p>Left Back Panel</p>	<p>1</p>
<p>18</p>		<p>Right Back Panel</p>	<p>1</p>
<p>19</p>		<p>Support Panel</p>	<p>1</p>

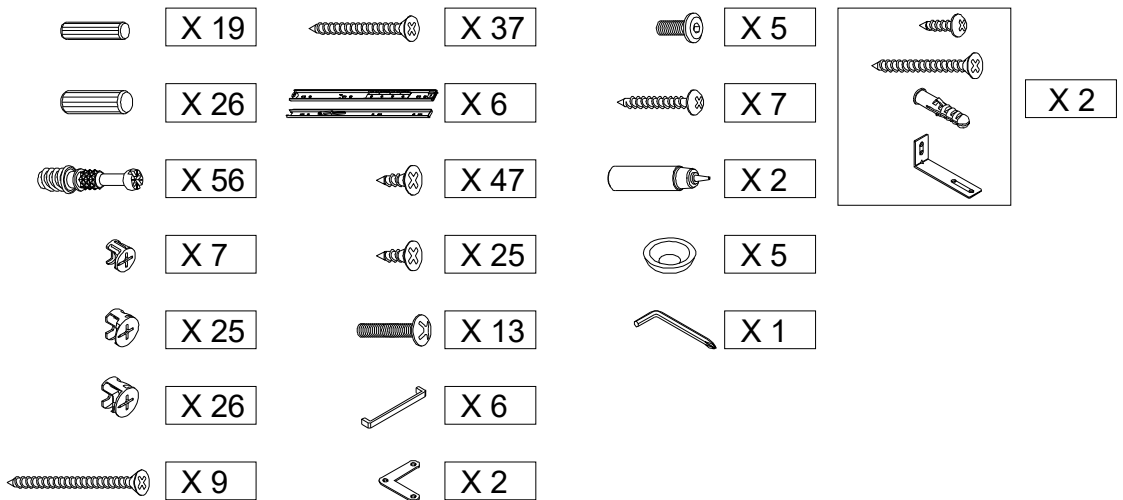
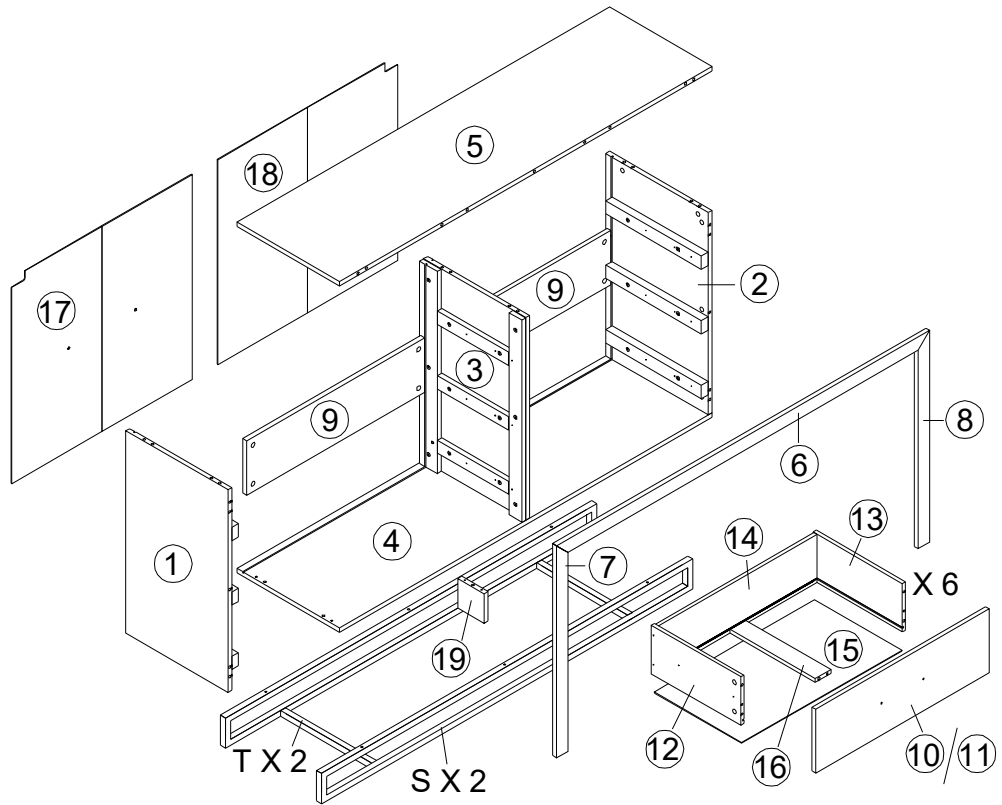
Hardware

Label	Picture	Description	QTY
A		Wood Dowel M6 x 25mm	19
B		Wood Dowel M8 x 25mm	26
C		Cam Bolt	56
D		Cam Lock (12/9.5mm)	7
E		Cam Lock (15/9.5mm)	25
F		Cam Lock (15/12.5mm)	26
G		Screw M4.5 x 50mm	9
H		Screw M4.5 x 38mm	37
I		Metal Plate	2
J	 	Slide	6
K		Screw M4 x 14mm	47
L		Screw M4 x 12mm	25
M		Truss Head Screw M4 x 22mm	13
N		Handle	6
O		Screw JCBC M6 x 10mm	5

P		Screw Pan Head M4 x 30mm	7
Q		Screw Spacer	5
R		Glue	2
S		Metal Leg	2
T		Metal Leg	2
U		Allen Wrench	1
V		Hammer (not provided)	1
W		Power Drill (not provided)	1
X		Screwdriver (not provided)	1
Restraint Device Hardware			
Y		Screw M3.5 x 12mm	2
		Screw M3.5 x 38mm	2
		Wall Plug	2
		Metal Bracket	2

Assembly Preparation

Before Beginning Assembly:



- Read instructions, cover to cover-



- Have 2 adults on hand for assembly-



- Do not assemble on flooring or carpet-



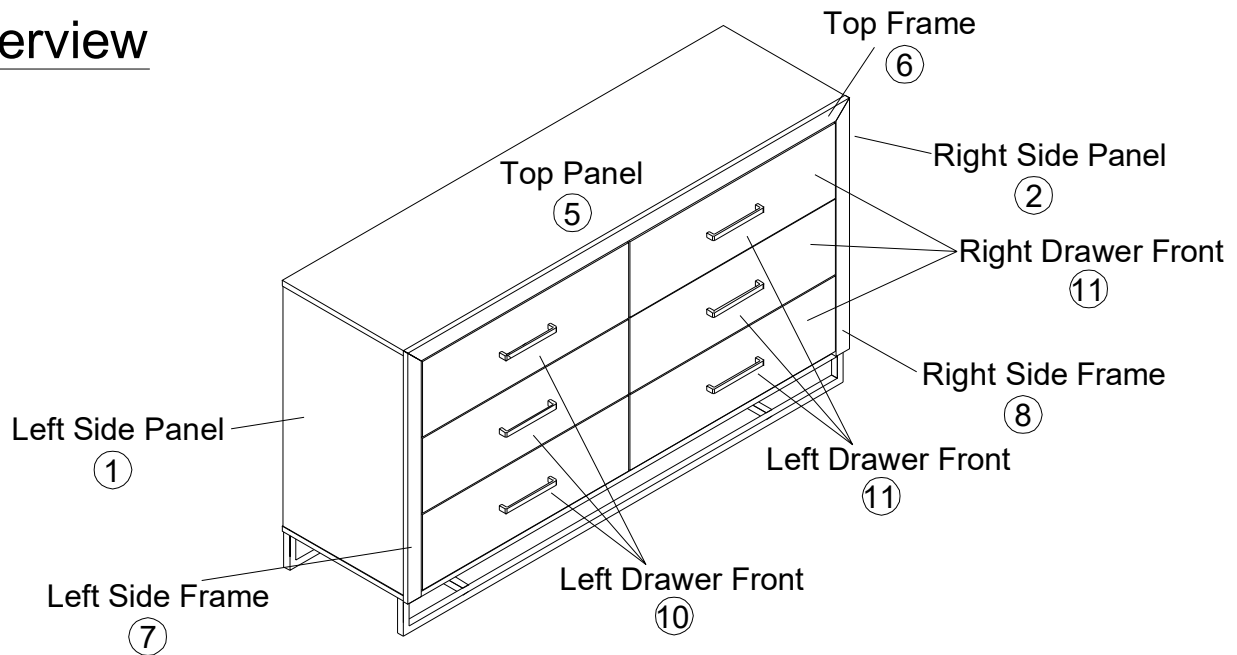
- Assemble on a clean non-marring surface (packing foam)-



- Save all packaging until finished-

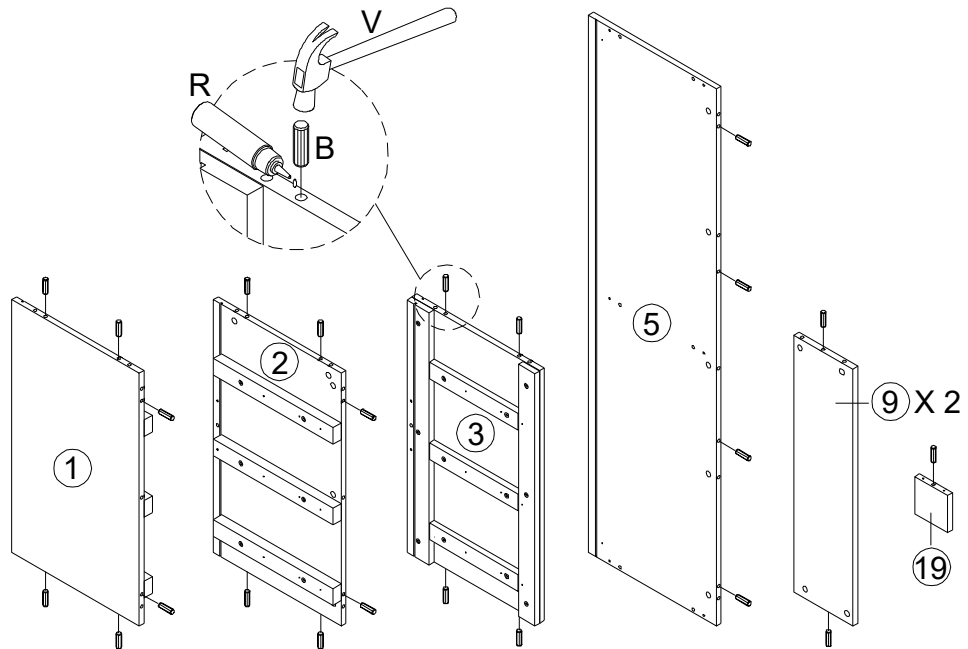
Assembly Steps

Overview



This 6 Drawer Chest has multiple parts and may require up to 60 minutes to assemble. To give you an overview of the 6 Drawer Chest parts, the above picture is to help you put the various part into perspective. Please read through the instructions below to familiarise yourself with the parts and steps before assembly.

Step 1

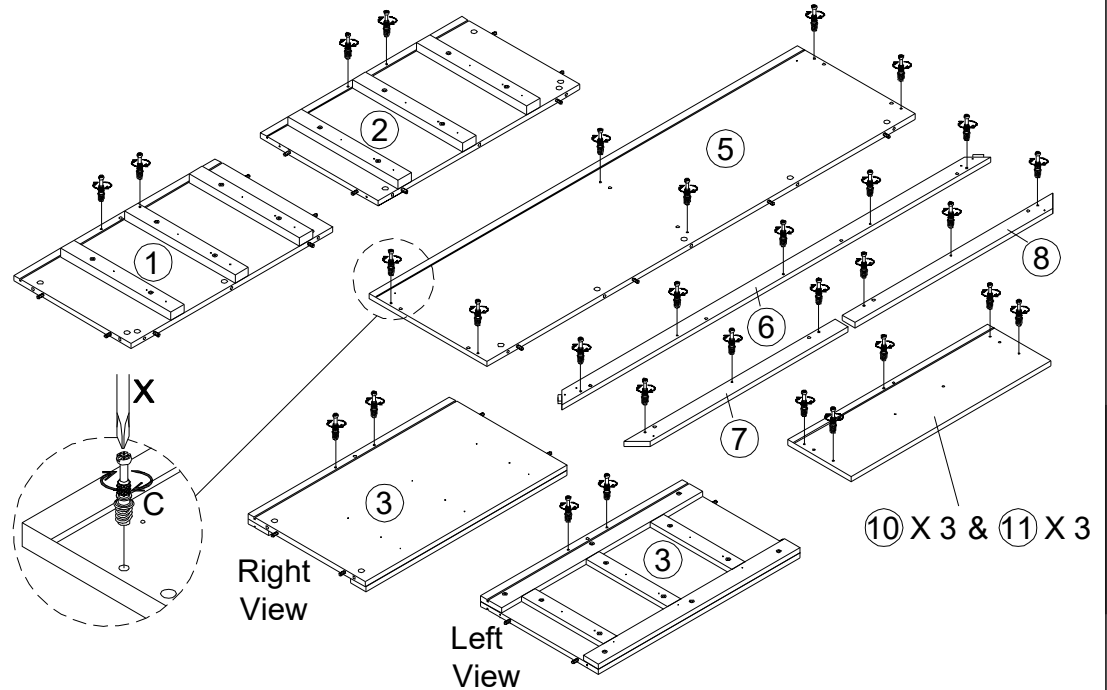


Unpack and place all parts on a clean, non-marring surface.

1.1) Apply the Glue (R), and insert Wood Dowel M8 x 25mm (B) into the Left Side Panel (1), Right Side Panel (2), Center Panel (3), Top Panel (5), Back Support Panel (9) and Support Panel (19) using the Hammer (V).

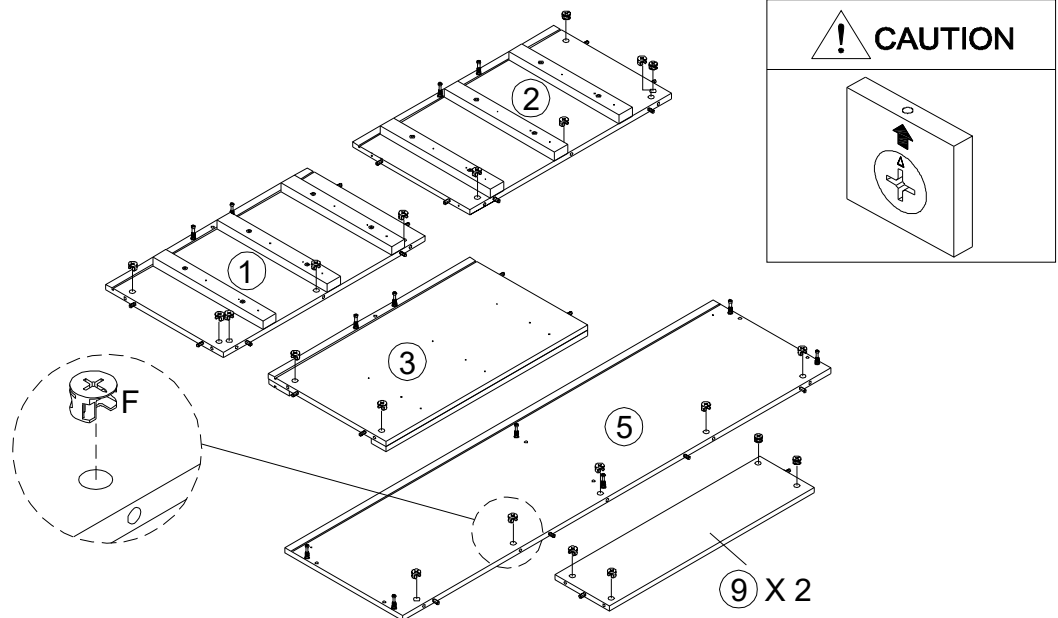
Note: There are pre-existing mounting positions on the panels to insert the Wood Dowels (B).

Step 2



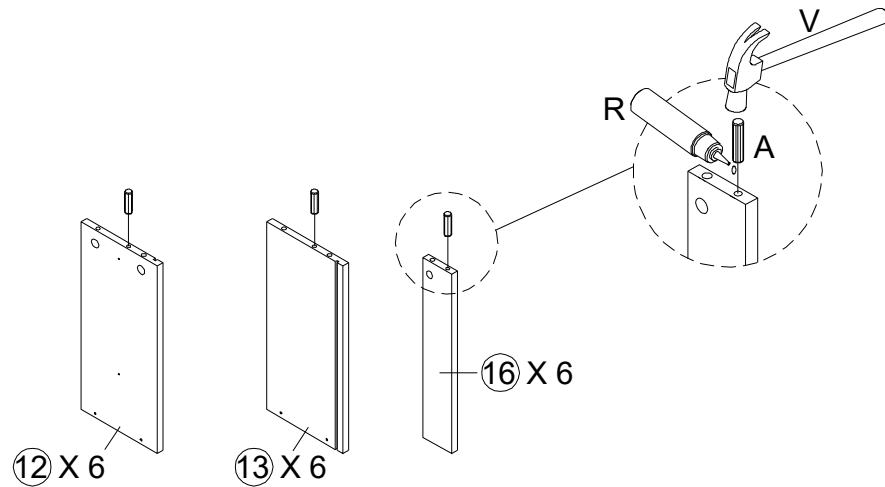
2.1) Insert the Cam Bolts (C) into the mounting positions on the Left Side Panel ①, Right Side Panel ②, Center Panel ③, Top Panel ⑤, Top Frame ⑥, Left Side Frame ⑦, Right Side Frame ⑧, Left Drawer Front ⑩ and Right Drawer Front ⑪ using the Screwdriver (X).
Note: There are pre-existing mounting positions on the panels to insert the Cam Bolts (C).

Step 3



3.1) Insert the Cam Locks (F) into the mounting positions on the Left Side Panel ①, Right Side Panel ②, Center Panel ③, Top Panel ⑤ and Back Support Panel ⑨.
CAUTION: Insert the Cam Locks (F) per the correct orientation as indicated in the above picture.
Note: There are pre-existing mounting positions on the panels to insert the Cam Locks (F).

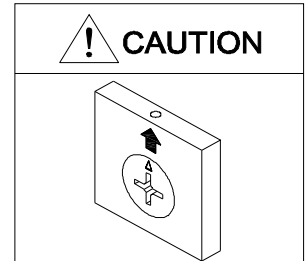
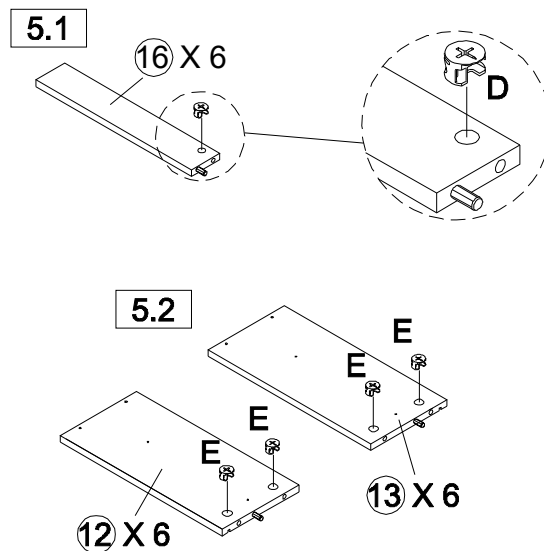
Step 4



4.1) Apply the Glue (R), and insert Wood Dowel M6 x 25mm (A) into the Left Drawer Panel (12), Right Drawer Panel (13) and Drawer Support Panel (16) using the Hammer (V).

Note: There are pre-existing mounting positions on the panels to insert the Wood Dowels (A).

Step 5



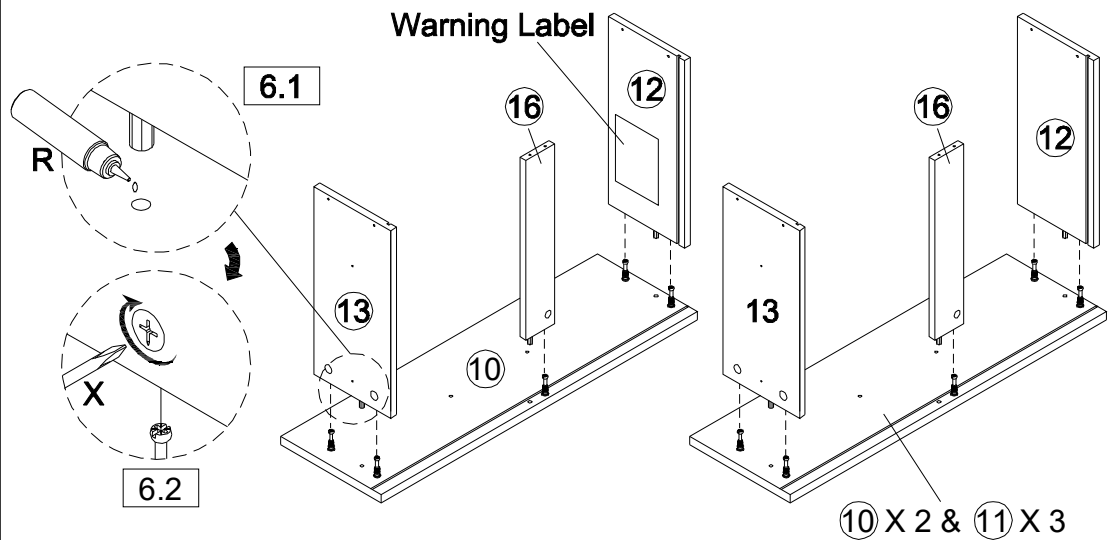
5.1) Insert the Cam Locks (D) into the mounting positions on the Drawer Support (16).

5.2) Insert the Cam Locks (E) into the mounting positions on the Left Drawer Side Panel (12) and Right Drawer Side Panel (13).

CAUTION: Insert the Cam Locks per the correct orientation as indicated in the above picture.

Note: There are pre-existing mounting positions on the panels to insert the Cam Locks.

Step 6

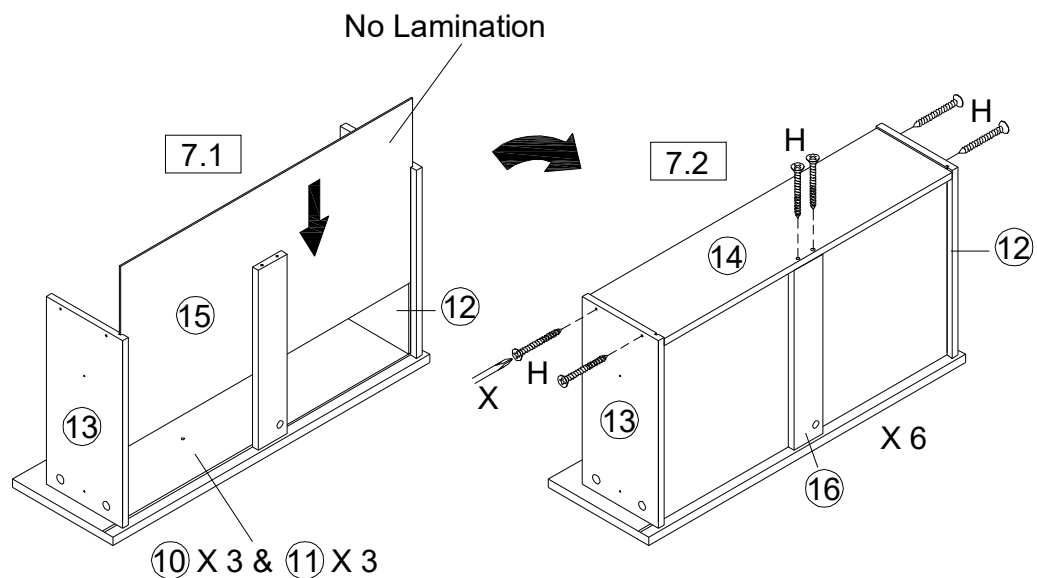


6.1) Apply the Glue (R) into the dowel mounting positions on the Left Drawer Front (10) and Right Drawer Front (11).

Attach the Left Drawer Side Panel (12), Right Drawer Side Panel (13) and Drawer Support Panel (16) to the Left Drawer Front (10) and Right Drawer Front (11).

6.2) Turn the Cam Locks clockwise with the Screwdriver (X) until they all lock into place.

Step 7

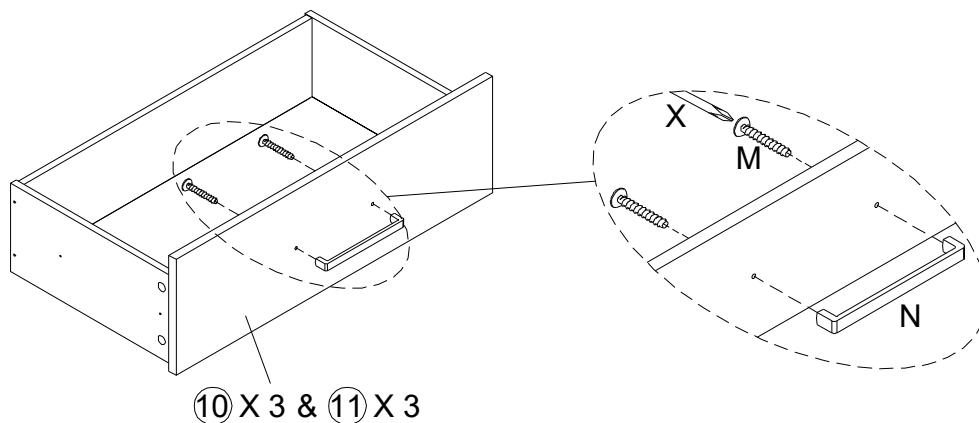


7.1) Insert the Drawer Panel (15) along the grooves on the Left Drawer Front (10), Right Drawer Front (11), Left Drawer Side Panel (12) and Right Drawer Side Panel (13).

7.2) Attach Drawer Back Panel (14) using the Screw M4.5 x 38mm (H) with the Screwdriver (X).

Note: There are pre-existing mounting positions on the panels for the Screws M4.5 x 38mm (H).

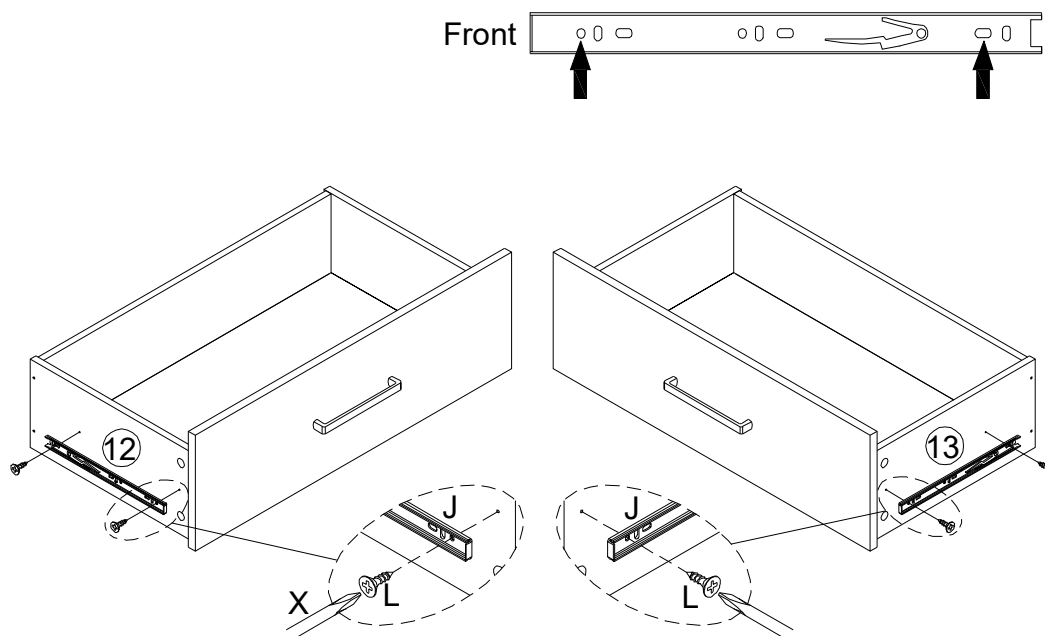
Step 8



8.1) Attach the Handle (N) to the Left Drawer Front ⑩ and Right Drawer Front ⑪ using the Truss Head Screw M4 x 22mm (M) with the Screwdriver (X).

Note: There are pre-existing mounting positions on the panels to attach the Handles (N).

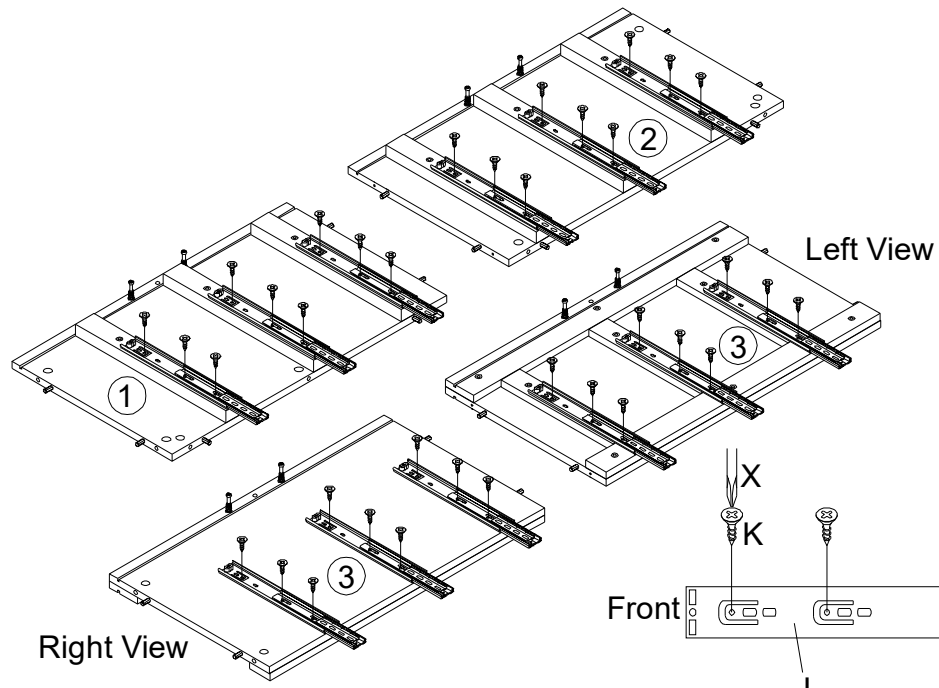
Step 9



9.1) Attach the Drawer Slide (J) onto the Left Drawer Side Panel ⑫ and Right Drawer Side Panel ⑬ using the Screw M4 x 12mm (L) with the Screwdriver (X).

Note: There are pre-existing mounting positions on the panels to attach the Drawer Slide (J).

Step 10

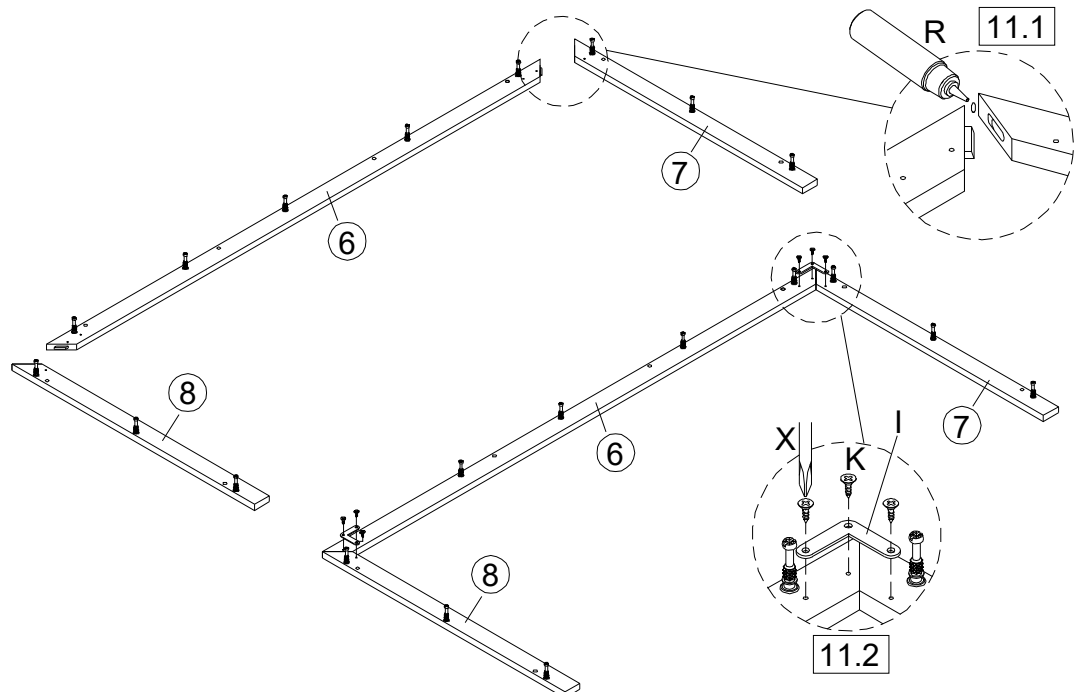


10.1) Attach the Carcass Slide (J) to the Left Side Panel①, Right Side Panel②and Center Panel③using the Screw M4 x 14mm (K) with the Screwdriver (X).

Tighten the Screws fully in a sequential manner.

Note: There are pre-existing mounting positions on the panels to attach the Carcass Slide (J).

Step 11

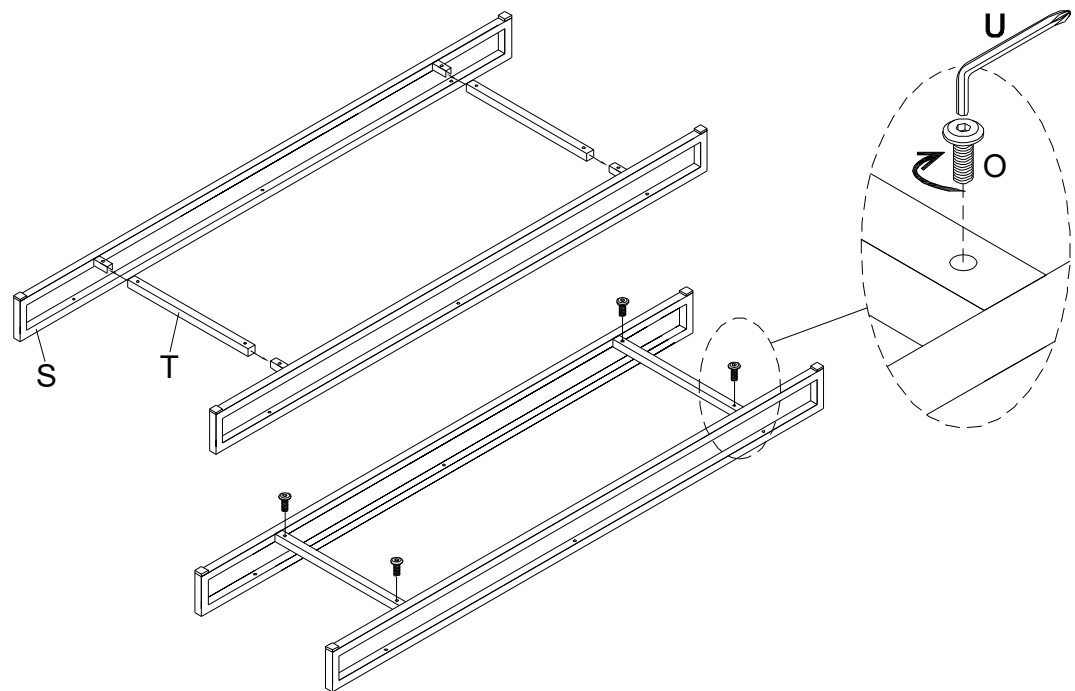


11.1) Apply the Glue (R) into the slot on the Left Side Frame⑦and Right Side Frame⑧. Attach the Left Side Frame⑦and Right Side Frame⑧to Top Frame⑥.

11.2) Assemble the Metal Plate (I) using the Screw M4 x 14mm (K) with the Screwdriver (X).

Note: There are pre-existing mounting positions on the panels to attach the Metal Plate (I).

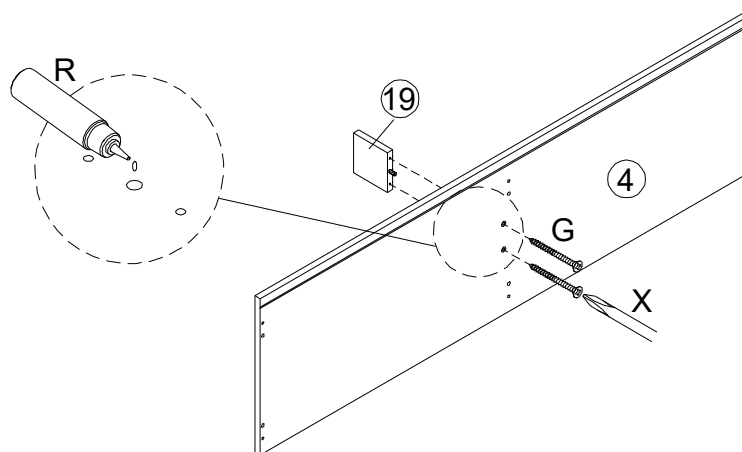
Step 12



12.1) Slot on the Metal Leg (S) to Metal Leg (T).

12.2) Assemble the Metal Leg using the Screw JCBC M6 x 10mm (O) with the Allen Wrench (U).

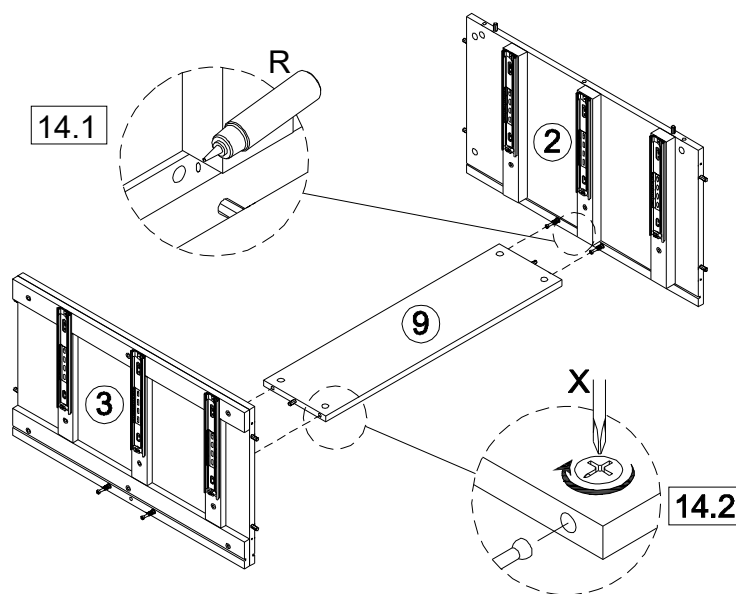
Step 13



13.1) Apply the Glue (R) into the dowel mounting positions on the Bottom Panel (4). Attach the Bottom Panel (4) to Support Panel (19) using the Screw M4.5 x 50mm (G) with the Screwdriver (X).

Note: There are pre-existing mounting positions on the panel to attach the Screw M4.5 x 50mm (G).

Step 14

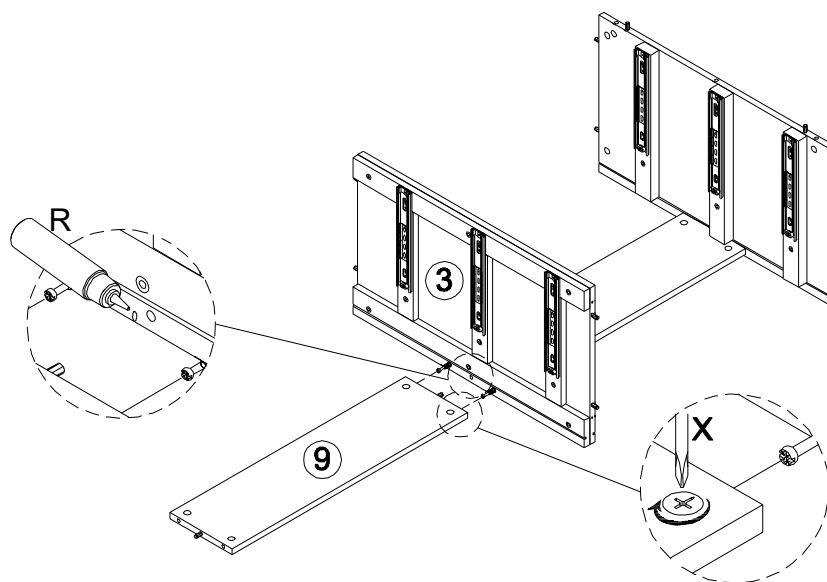


14.1) Apply the Glue (R) into the dowel mounting positions on the Right Side Panel (2) and Center Panel (3).

Attach the Right Side Panel (2) and Center Panel (3) to the Back Support Panel (9).

14.2) Turn the Cam Locks (F) clockwise with the Screwdriver (X) until they all lock into place.

Step 15

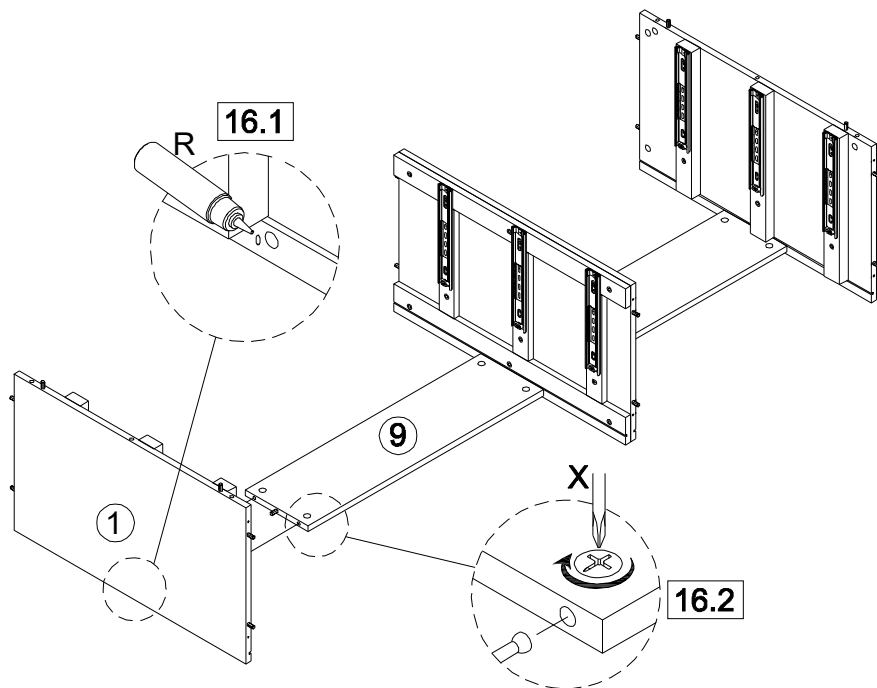


15.1) Apply the Glue (R) into the dowel mounting positions on the Center Panel (3).

Attach the Back Support Panel (9) to Center Panel (3).

15.2) Turn the Cam Locks (F) clockwise with the Screwdriver (X) until they all lock into place.

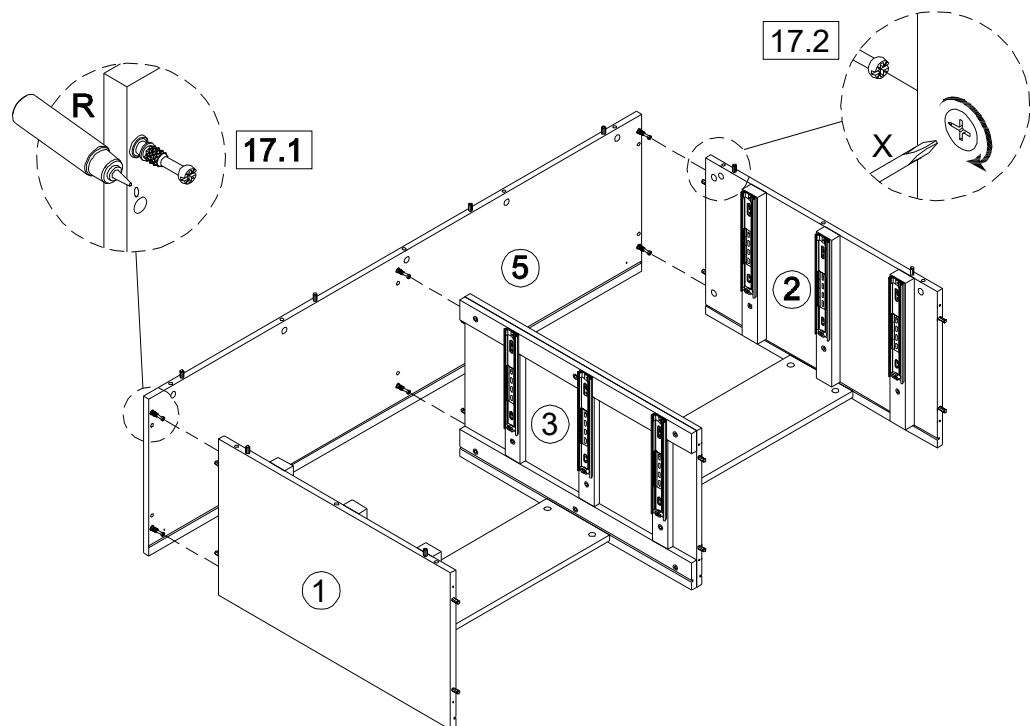
Step 16



16.1) Apply the Glue (R) into the dowel mounting positions on the Left Side Panel (1). Attach the Left Side Panel (1) to Back Support Panel (9).

16.2) Turn the Cam Locks (F) clockwise with the Screwdriver (X) until they all lock into place.

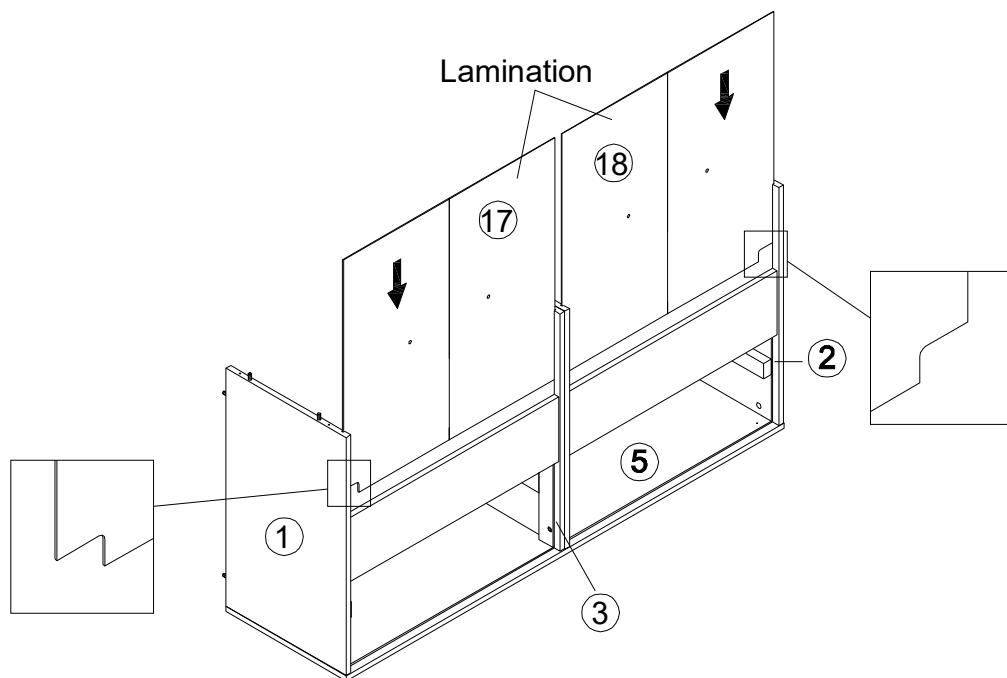
Step 17



17.1) Apply the Glue (R) into the dowel mounting positions on the Top Panel (5). Attach the Top Panel (5) to the Left Side Panel (1), Right Side Panel (2) and Center Panel (3).

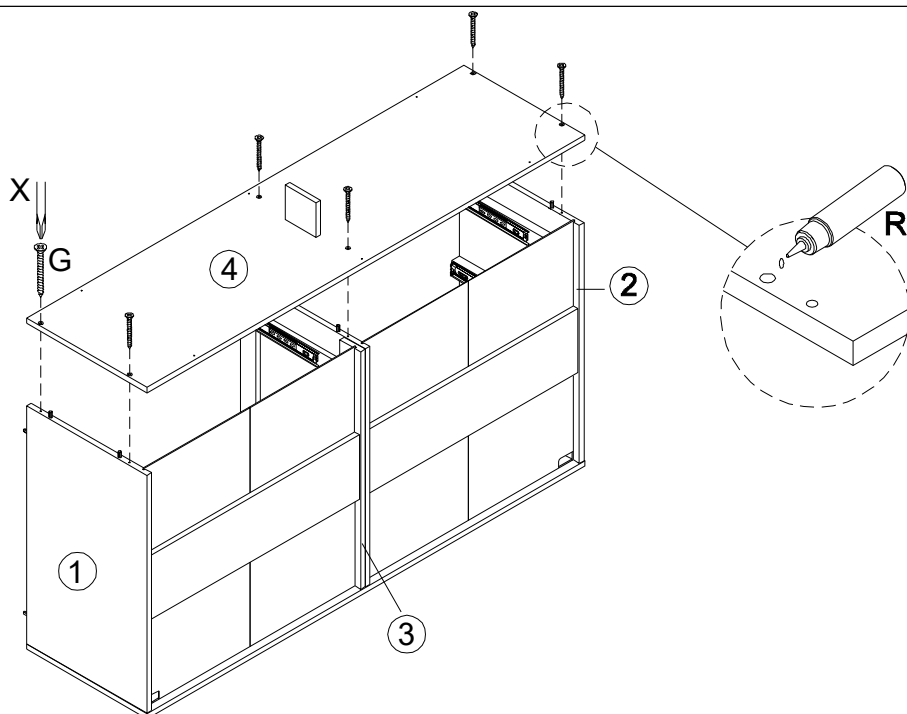
17.2) Turn the Cam Locks (F) clockwise with the Screwdriver (X) until they all lock into place.

Step 18



18.1) Insert the Back Panel (17) along the grooves on Left Side Panel (1), Center Panel (3) and Top Panel (5). Repeat step to insert Back Panel (18) along the grooves on Right Side Panel (2), Center Panel and Top Panel (5).

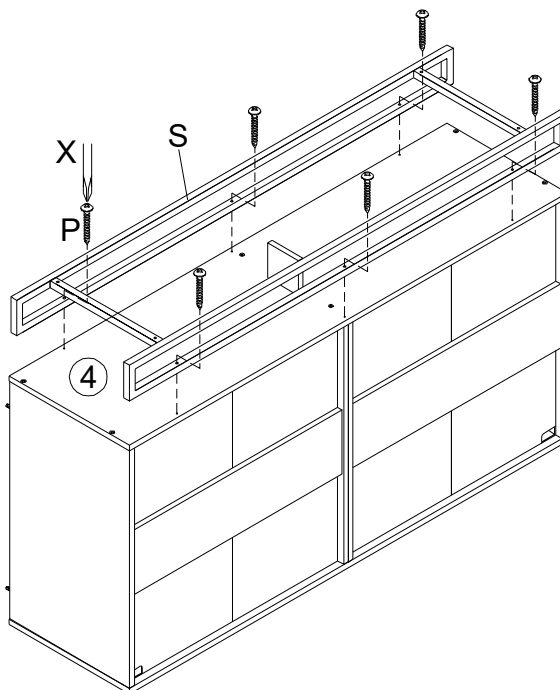
Step 19



19.1) Apply the Glue (R) into the dowel mounting positions on the Bottom Panel (4). Attach the Bottom Panel (4) to the Left Side Panel (1), Right Side Panel (2) and Center Panel (3) using the Screw M4.5 x 50mm (G) with the Screwdriver (X).

Note: There are pre-existing mounting positions on the panel to attach the Screw M4.5 x 50mm (G).

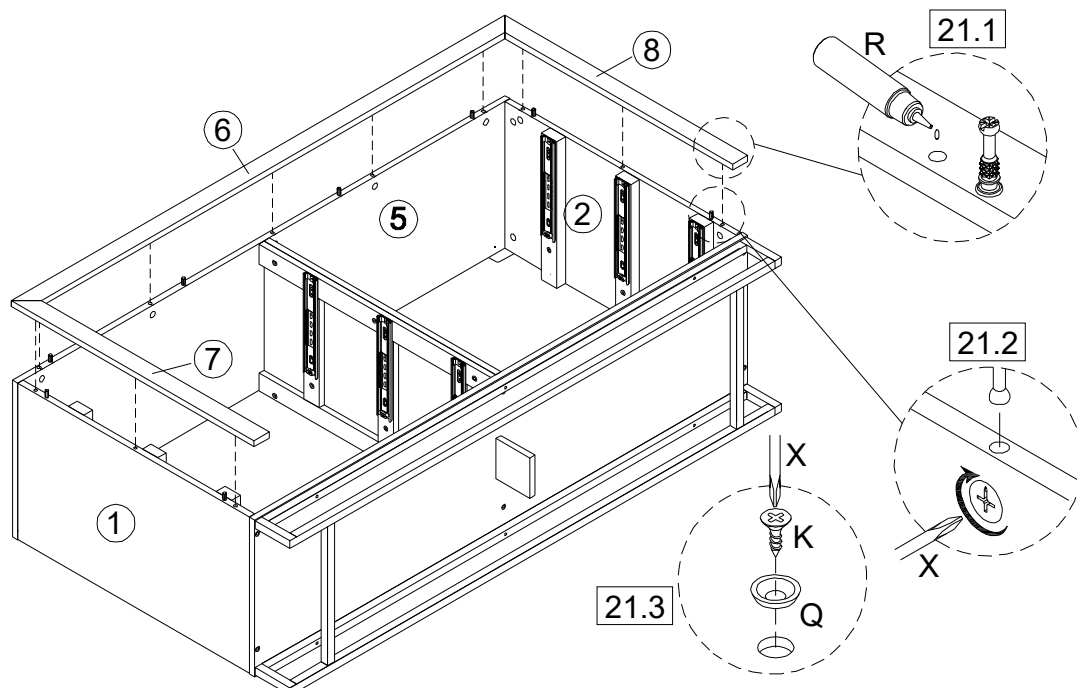
Step 20



20.1) Attach the Metal Leg (S) to the Bottom Panel ④ using the Screw M4 x 30mm (P) with the Screwdriver (X).

Note: There are pre-existing mounting positions on the panel to attach the Screw M4 x 30mm (P).

Step 21



21.1) Apply the Glue (R) into the dowel mounting positions on the Top Frame ⑥, Left Side Frame ⑦ and Right Side Frame ⑧.

Attach the Frame to the Left Side Panel ①, Right Side Panel ② and Top Panel ⑤.

21.2) Turn the Cam Locks (F) clockwise with the Screwdriver (X) until they all lock into place.

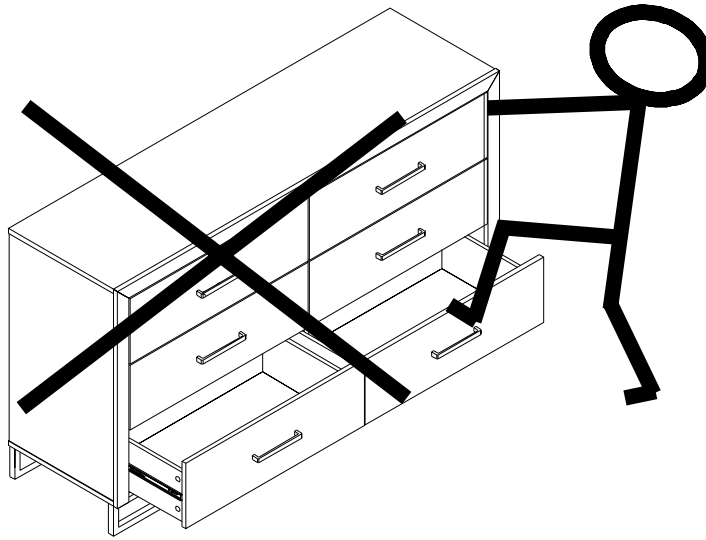
21.3) Assemble the Screw Spacer (Q) to Back Panel 9 using the Screws M4 x 14mm (K) with the Screwdriver (X).

Cabinet Restraint Device Installation Instructions



WARNING

Serious or fatal crushing injuries can occur from tipping furniture.
 To help prevent tipover: **ALWAYS** secure this furniture to the wall using
 Cabinet Restraint Device.
 See product instructions for more ways to help prevent furniture tipover.



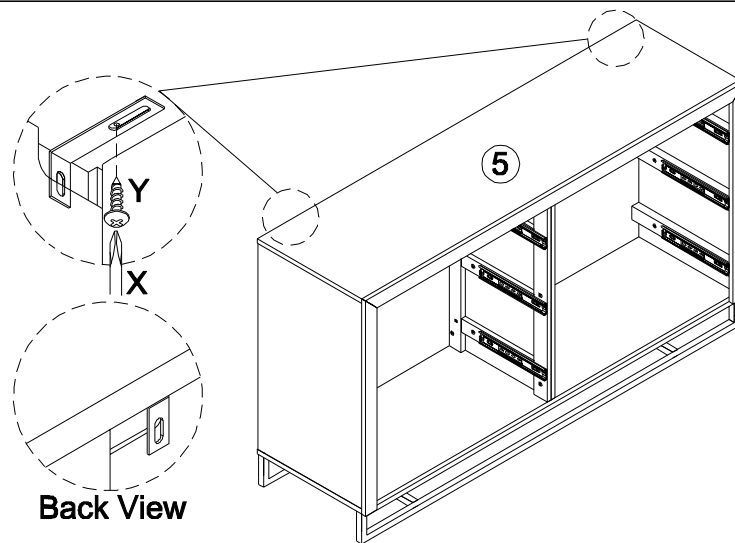
Usage For Restraint Device:

To secure the 6 Drawer Chest against the wall.

Attach the two Metal Brackets from the Hardware Pack (Y) on the wall and the product, using screws.

Instructions:

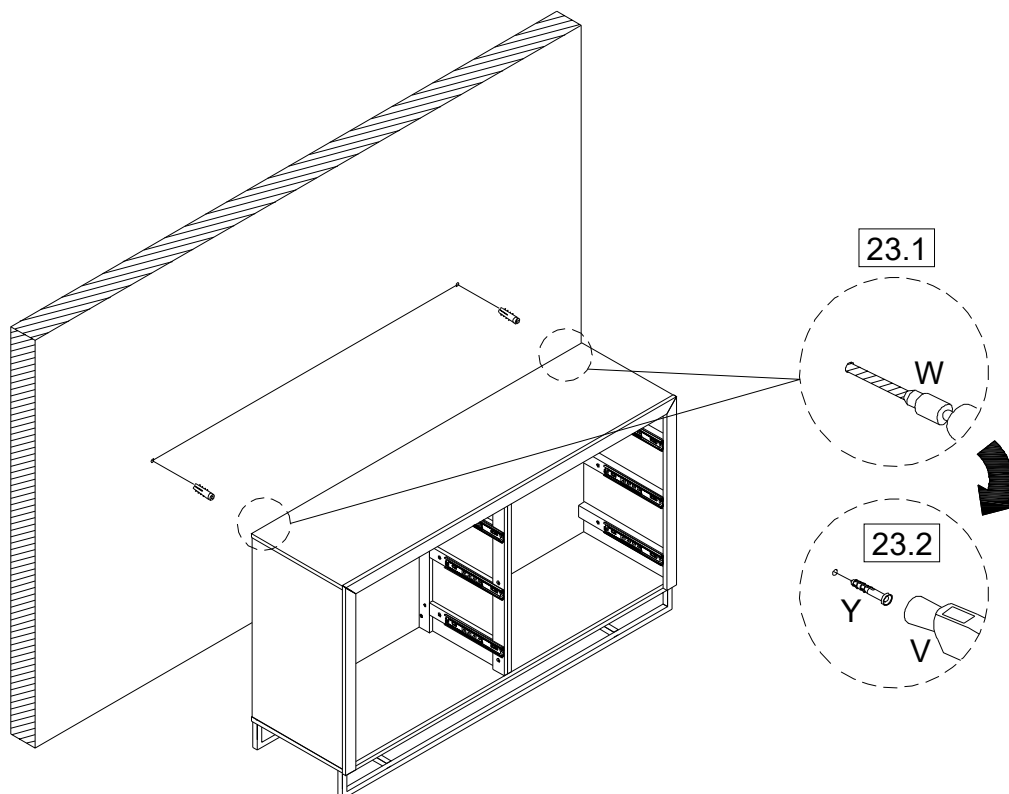
Step 22



22.1) Attach the Metal Bracket (Y) onto the bottom side of Top Panel 5 using Screws M3.5 x 12mm (Y) with the Screwdriver (X).

Note: There are pre-existing mounting positions on the panel to attach the Metal Bracket (Y).

Step 23

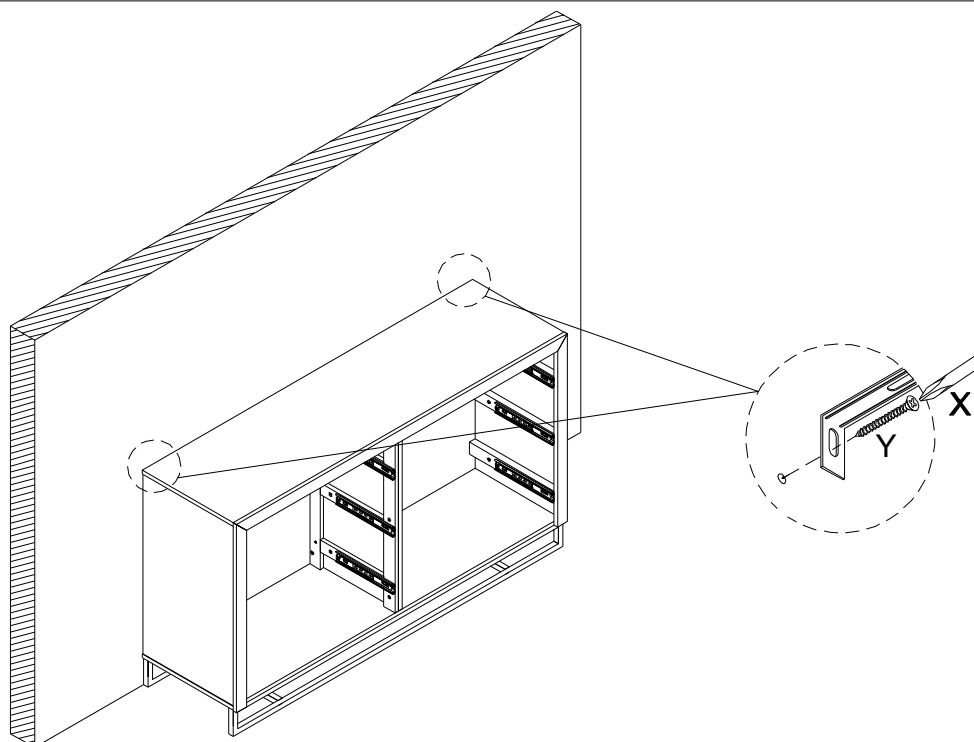


23.1) Drill two holes on the wall at the same height as the Metal Brackets (Y) on the 6 Drawer Chest using a Power Drill (W) .

Mark the holes by measuring the height of the Metal Brackets (Y) with a ruler/measuring tape and mark on the wall to keep them accurate and at the same height.

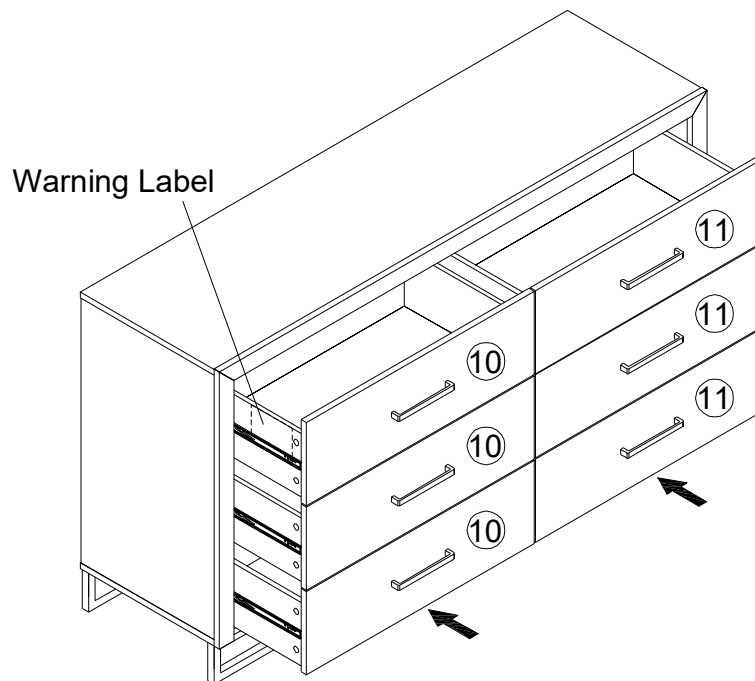
23.2) Insert Wall Plugs (Y) into the drilled holes on the wall with the Hammer (V).

Step 24



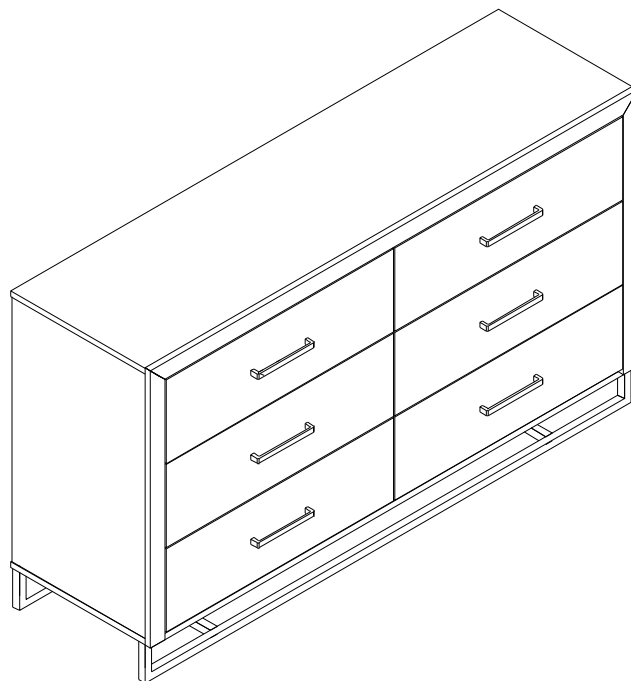
24.1) Move the 6 Drawer Chest to the wall, and secure the product using the Screws M3.5 x 38mm (Y) and the Screwdriver (X).

Step 25














25.1) Insert the Drawers: the Left Drawer Front ⑩ and the Right Drawer Front ⑪ into the 6 Drawer Chest.

Step 26



Your 6 Drawer Chest is ready to be used.
This 6 Drawer Chest can only be used on a flat level surface.

Care & Maintenance

- ✓  • Furniture may scratch floors. We recommend using furniture pads to protect your floors.
 - ⊘  • Do not put hot items directly on furniture surface.
 - ⊘  • Do not clean furniture with harsh cleansers or polish.
 - ⊘  • Do not place furniture under direct sunlight.
 - ⊘  • Do not place furniture near heating or cooling vents.
 - ⊘  • Do not write on furniture without a padded barrier to protect the surface.
 - ⊘  • Do not place furniture outside . For indoor use only.
 - ⊘  • Not for commercial use. For residential use only.
 - ⊘  • Stains may be removed with mild soap solution and damp cloth.
 - ⊘  • Children should not climb or jump on the furniture.
-
- ✓  • Dust and pick-up spills using a clean, non-colored, lint-free cloth.