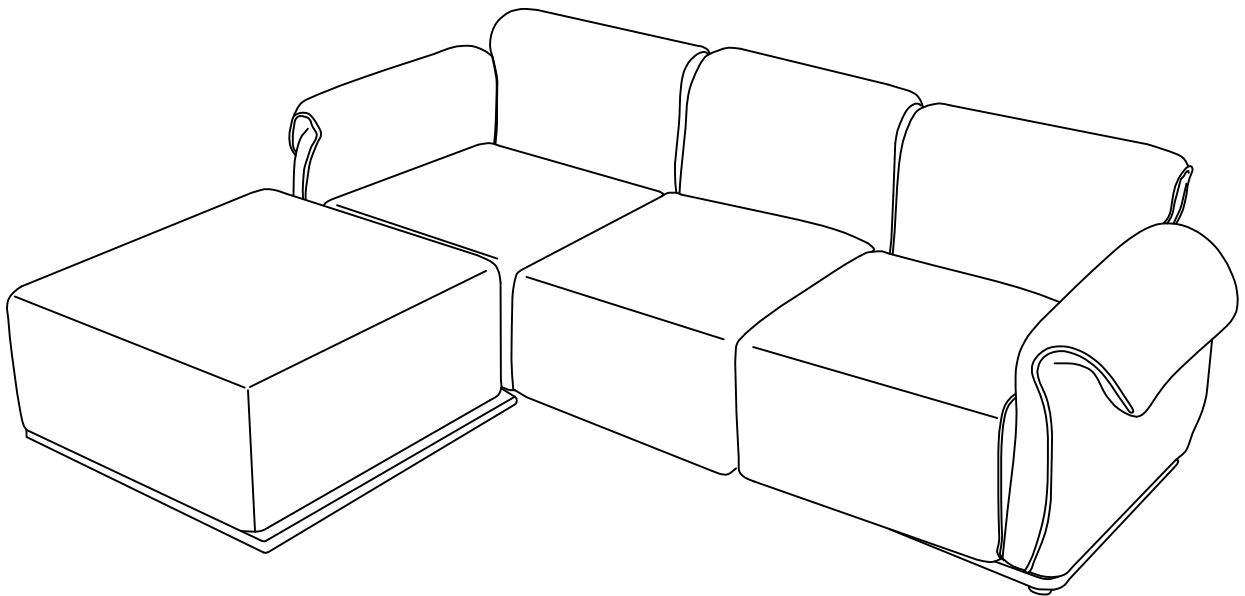
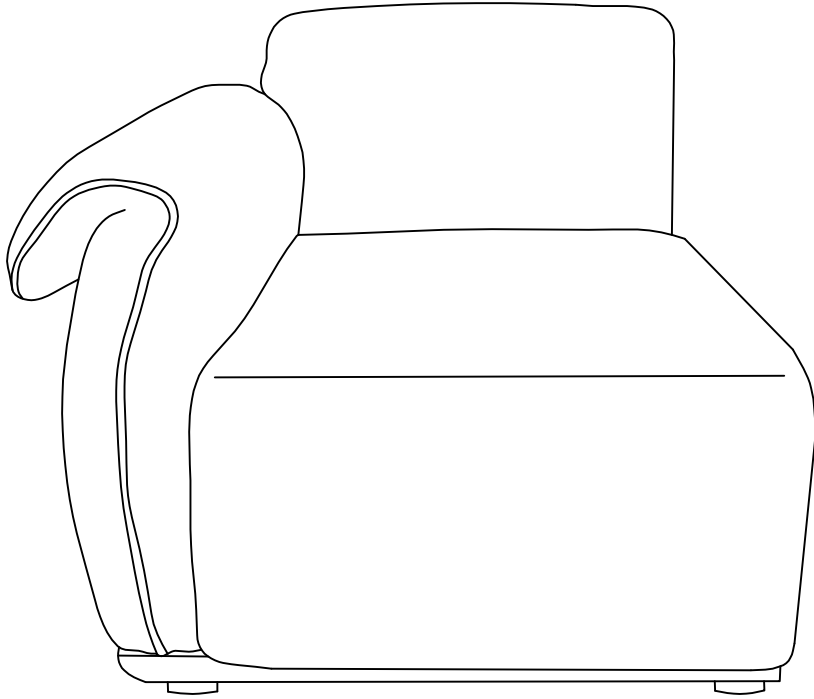
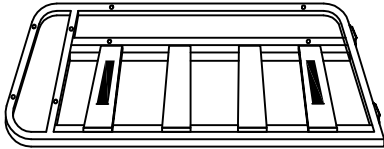
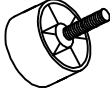
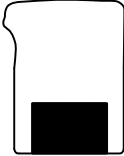

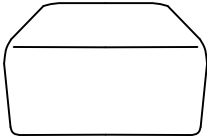


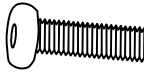

# Assembly Instruction



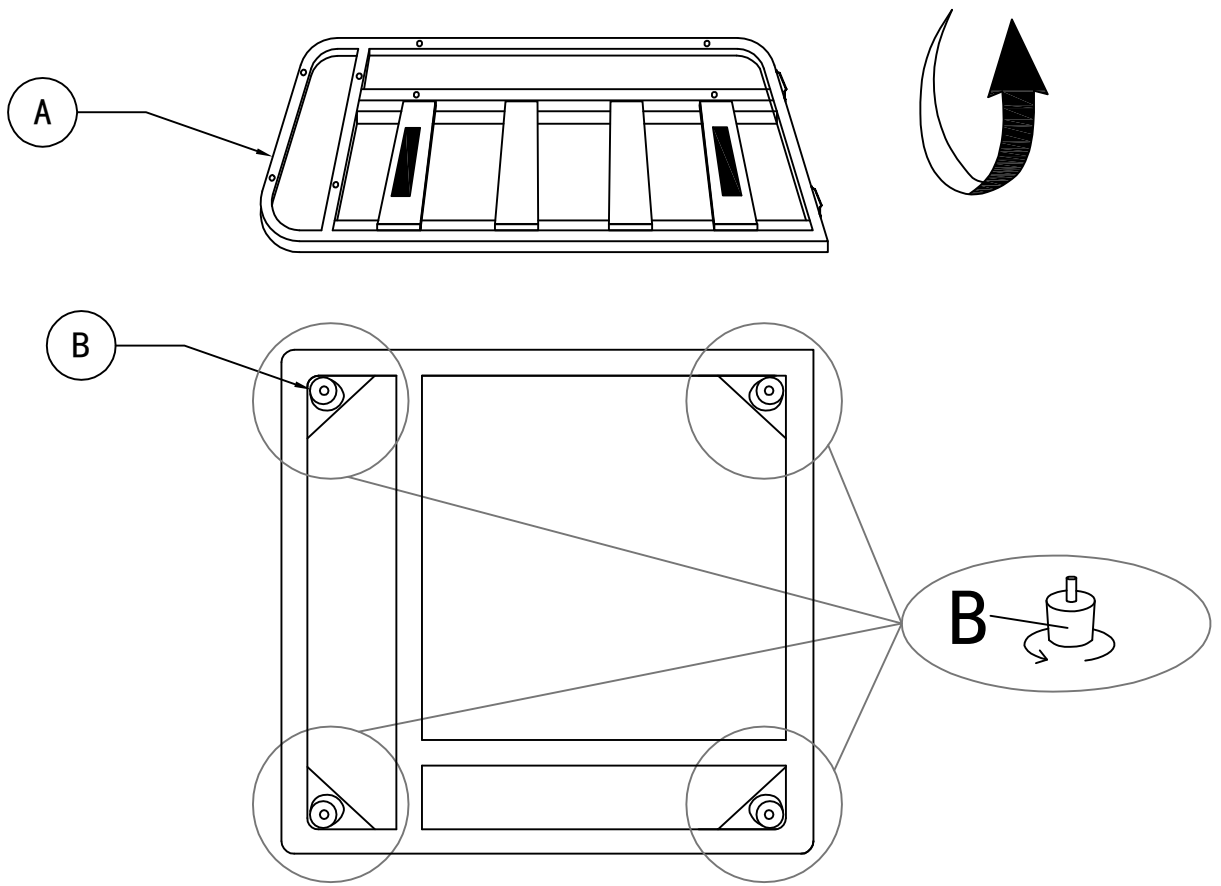
# Parts List

Label	Picture	Description	QTY
A		Metal bottom frame	1
B		Leg	4
C		Back Cushion	1
D		armrest	1
E		Seat Cushion	1

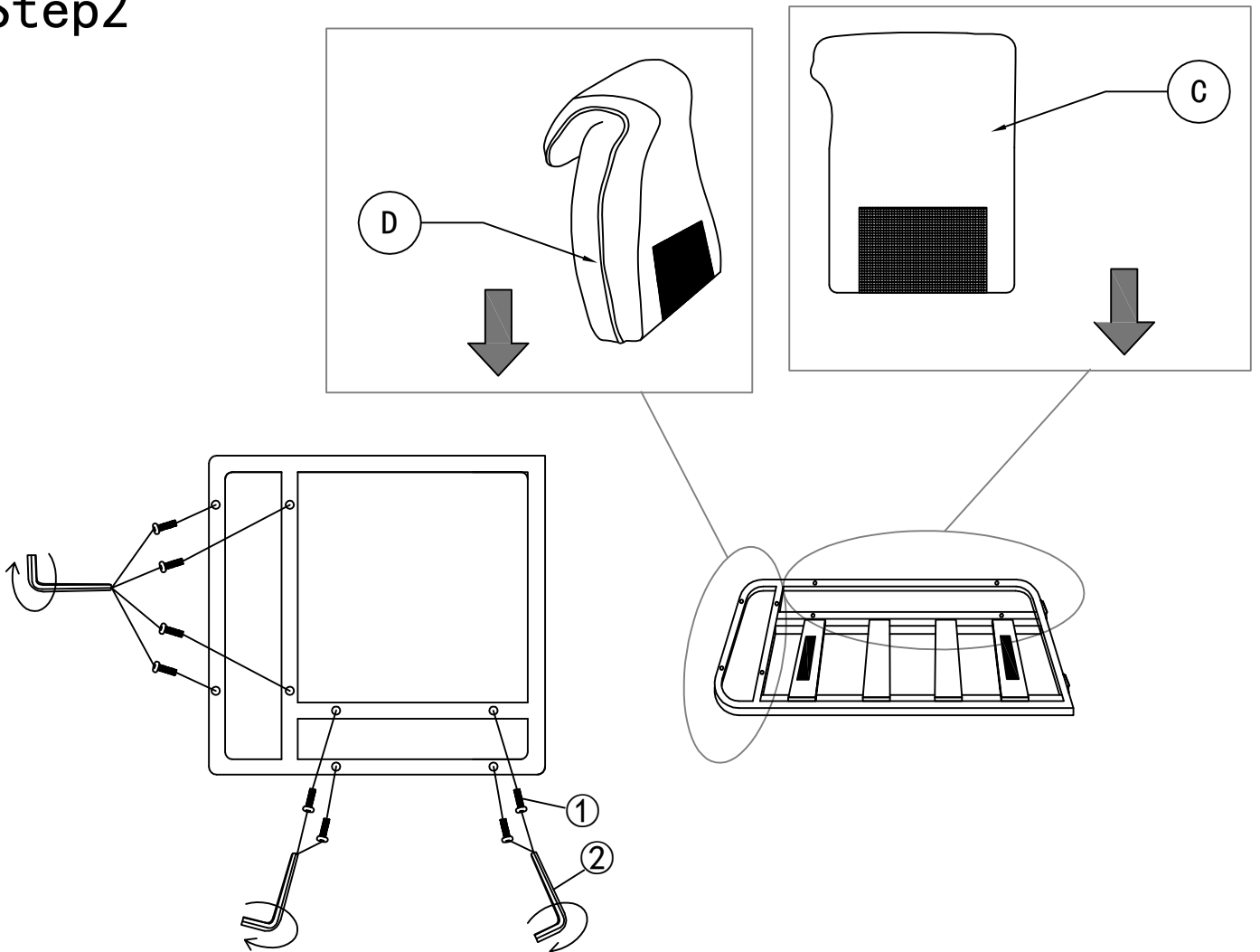
# Hardware

Label	Picture	Description	QTY
①		Bolt (M8*60MM)	8
②		Allen Key (5mm)	1

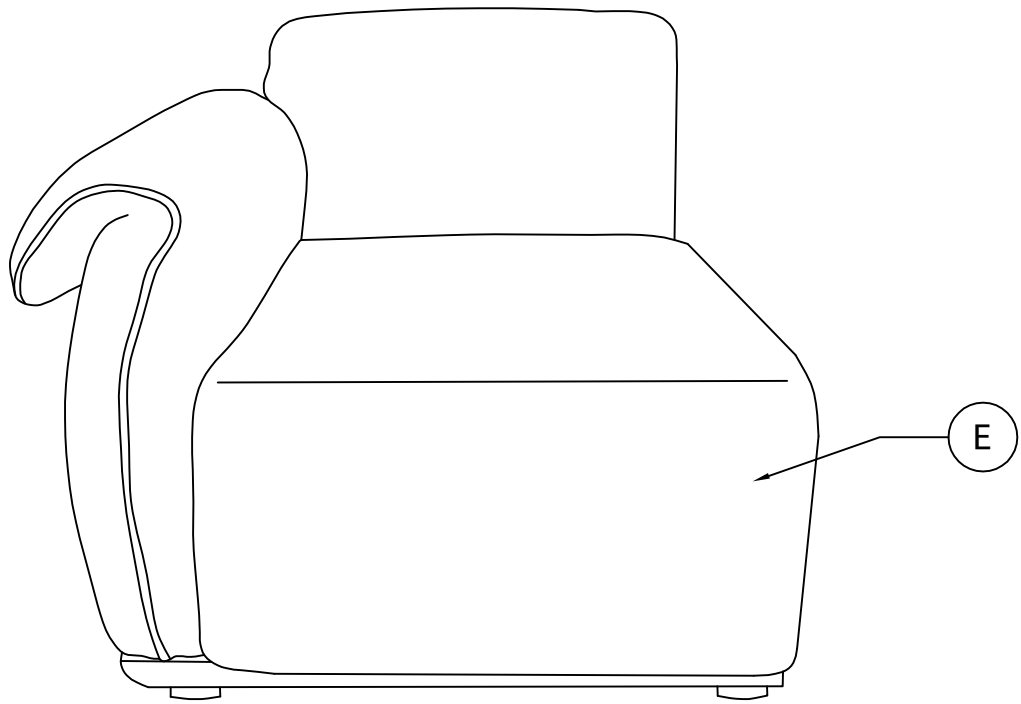
# Step 1



# Step 2

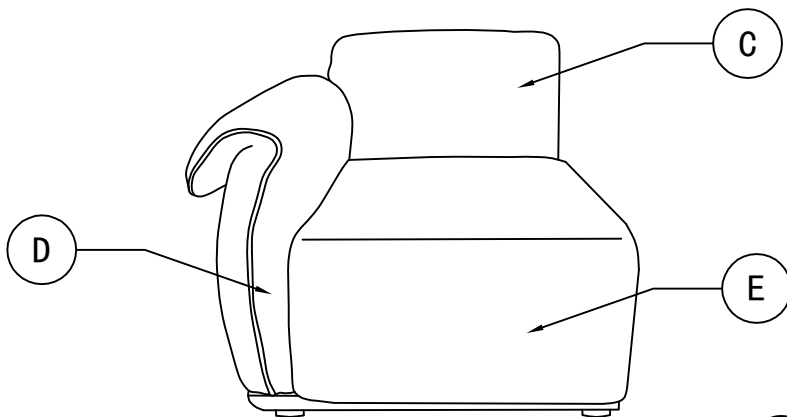


# Step3

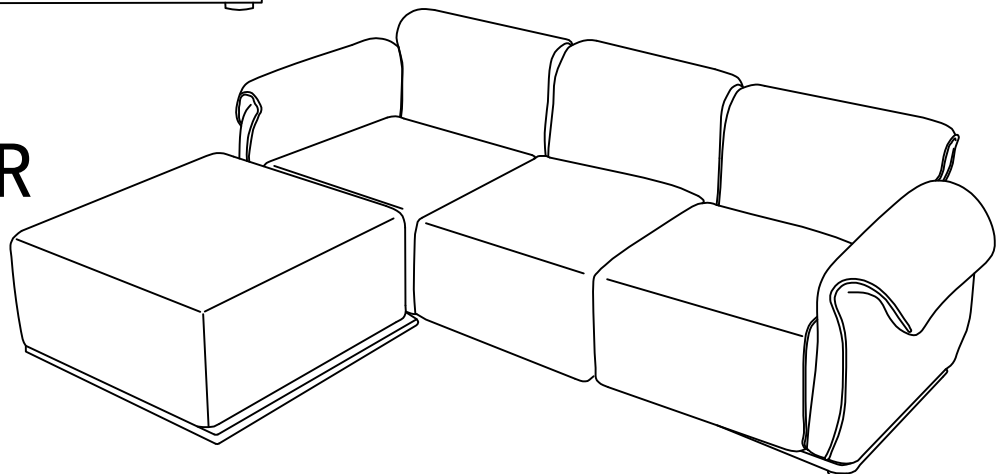


USE VELCRO TO PASTE BASE (E) OF THE OTHER SOFA TO JOINT TOGETHER

# Step4

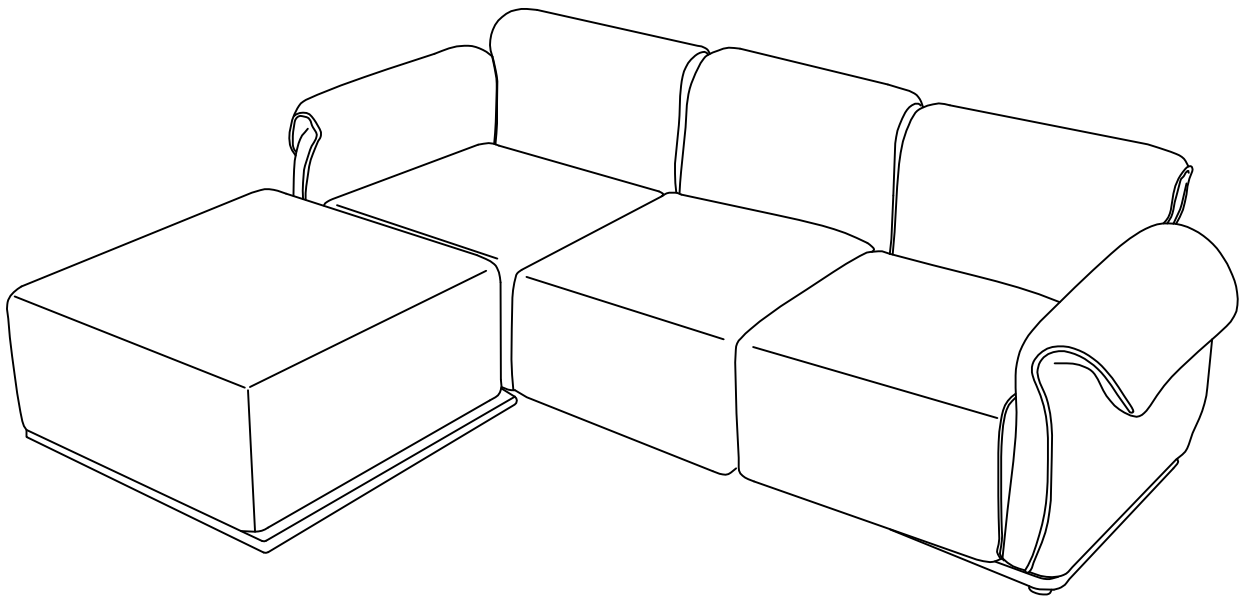
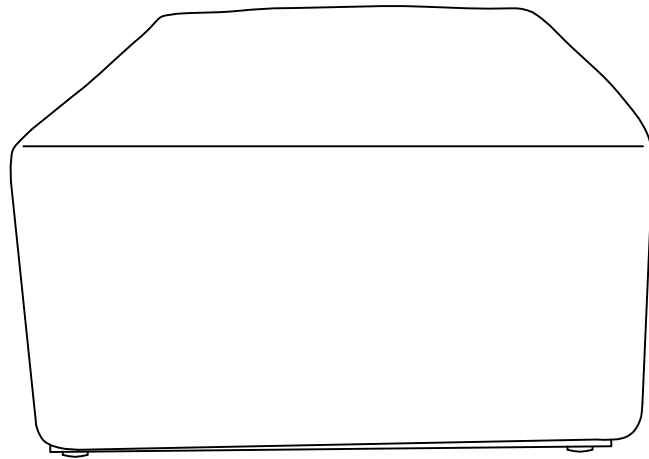


**OR**

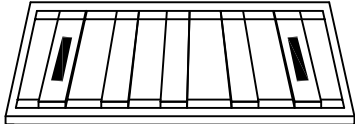
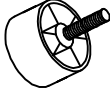
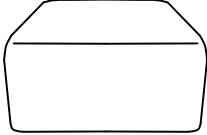


Mix and match with other sofas from the same series for customizable DIY combinations

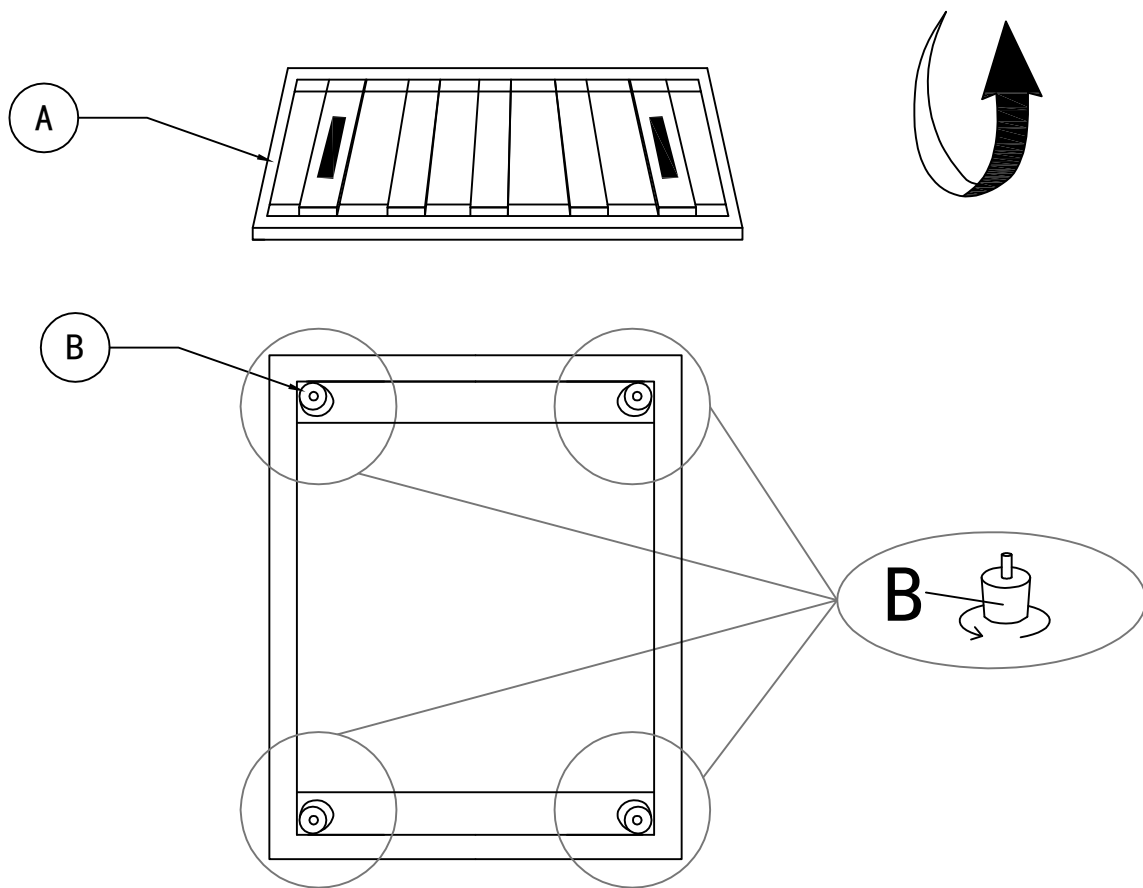
# Assembly Instruction



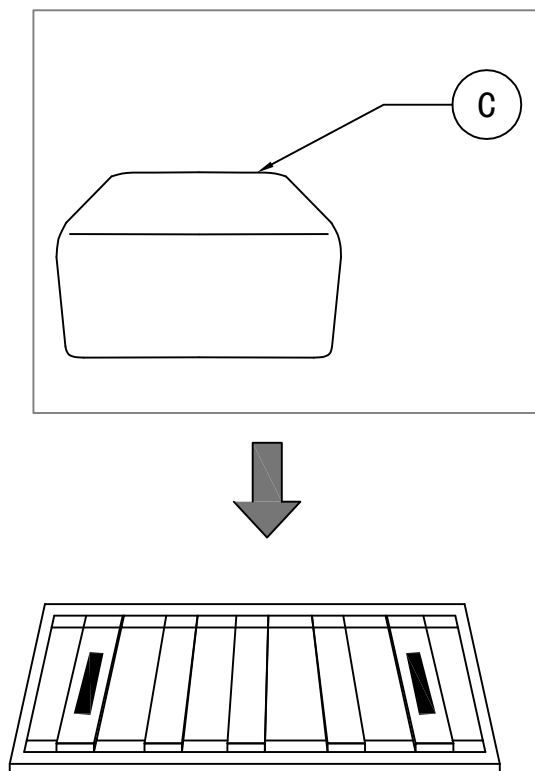
# Parts List

Label	Picture	Description	QTY
<b>A</b>	 A perspective drawing of a rectangular metal frame with vertical bars and two diagonal supports.	Metal bottom frame	<b>1</b>
<b>B</b>	 A perspective drawing of a leg with a circular base and a central vertical post.	Leg	<b>4</b>
<b>C</b>	 A perspective drawing of a rectangular foot pedal with rounded corners.	foot pedal	<b>1</b>

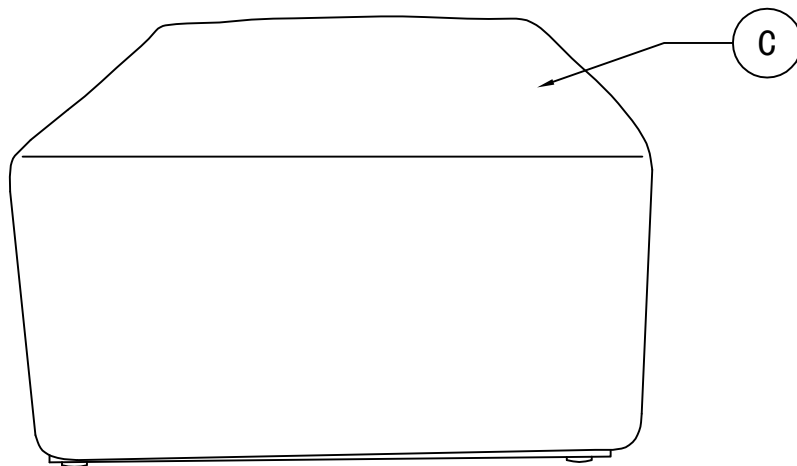
# Step1



# Step2

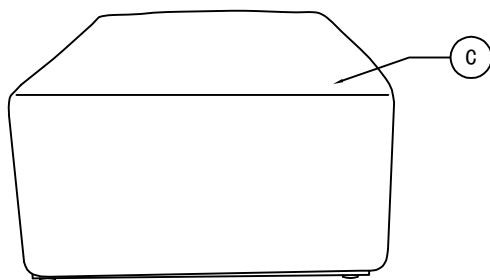


# Step3

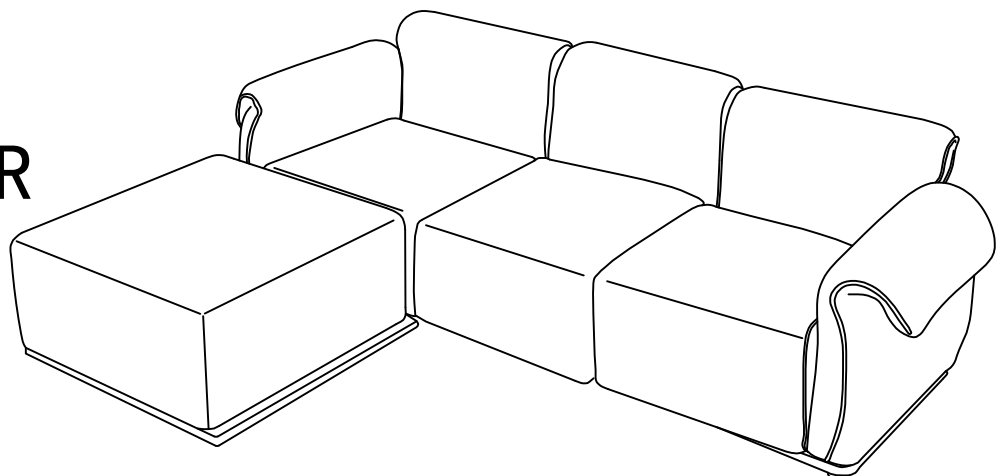


USE VELCRO TO PASTE BASE (C) OF  
THE OTHER SOFA TO JOINT TOGETHER

# Step4

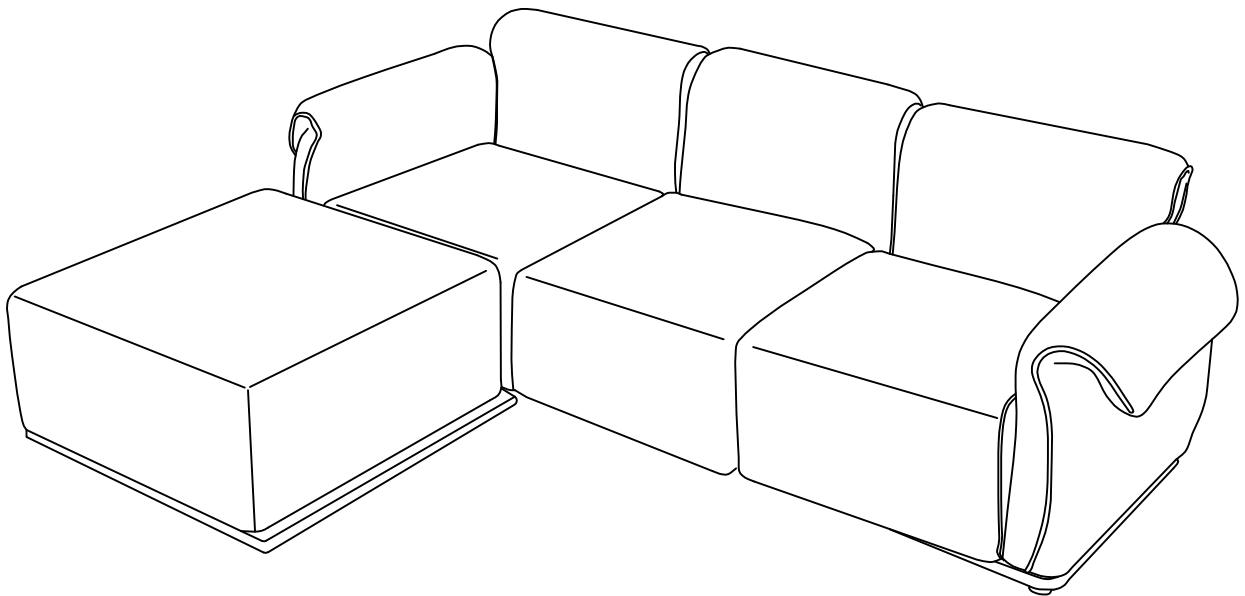
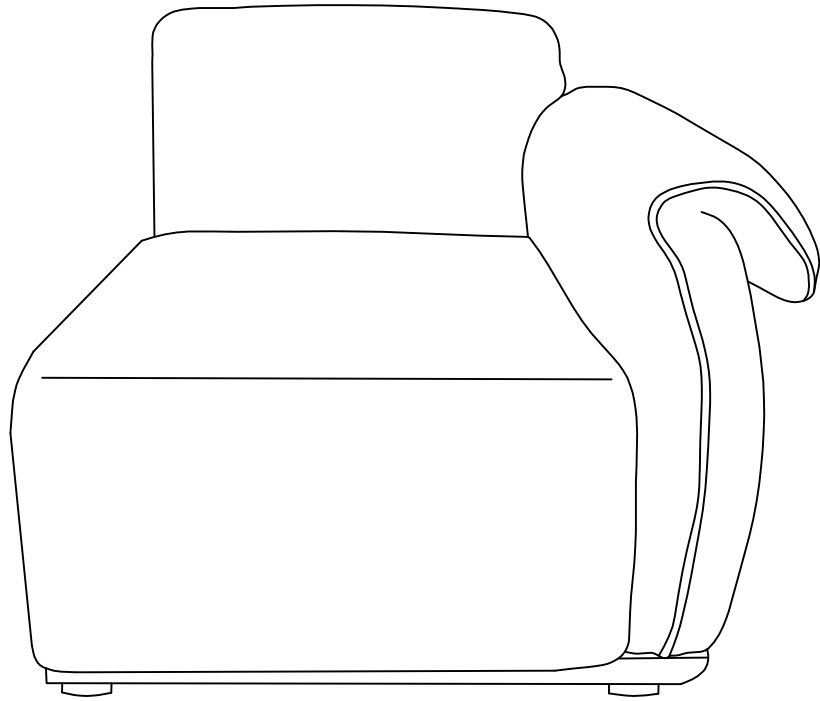


**OR**

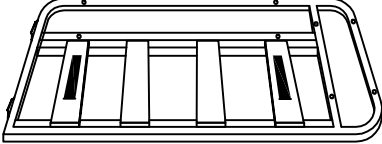

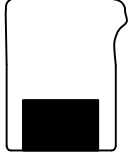

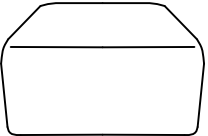


Mix and match with other sofas from the same  
series for customizable DIY combinations

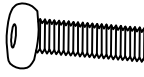
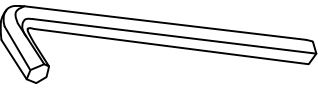
# Assembly Instruction



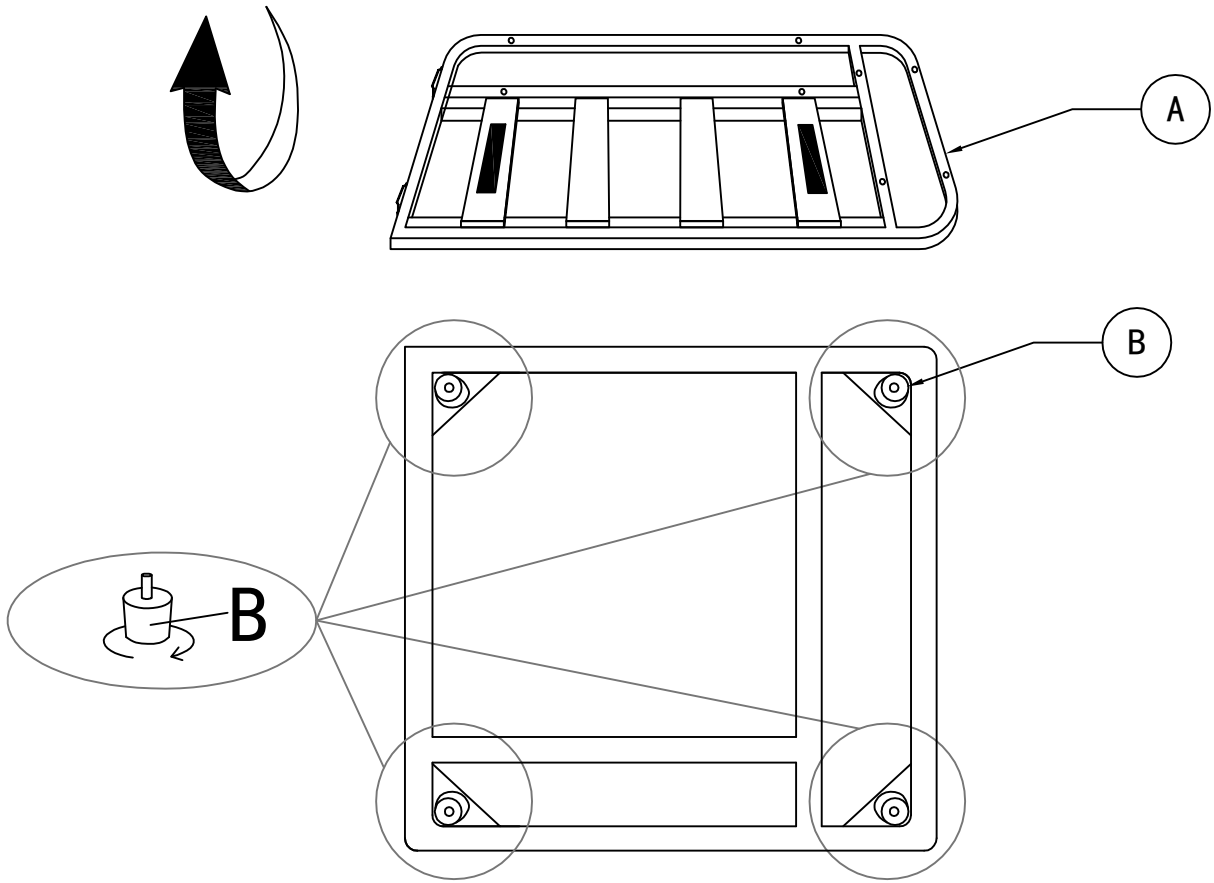
# Parts List

Label	Picture	Description	QTY
A		Metal bottom frame	1
B		Leg	4
C		Back Cushion	1
D		armrest	1
E		Seat Cushion	1

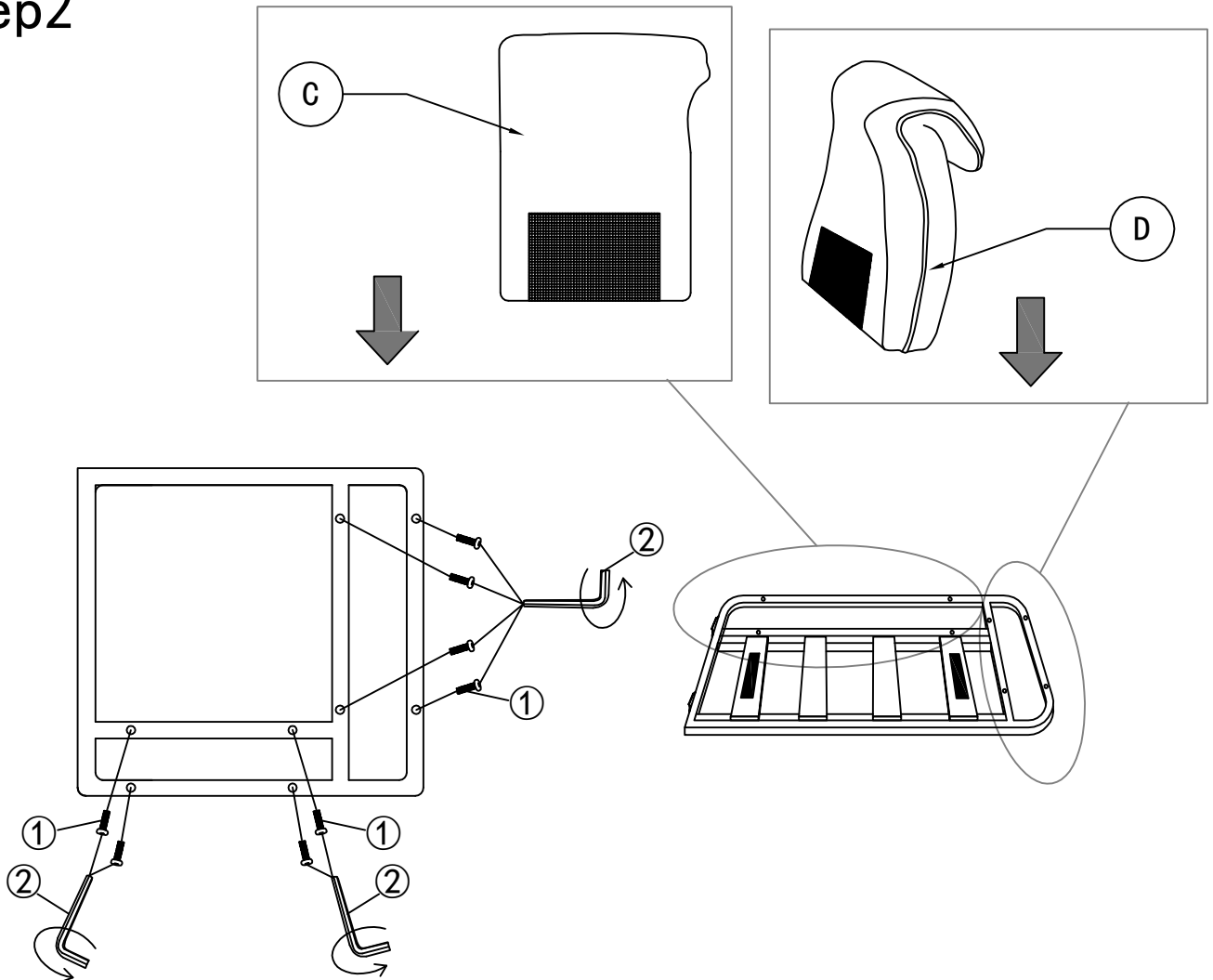
# Hardware

Label	Picture	Description	QTY
①		Bolt (M8*60MM)	8
②		Allen Key (5mm)	1

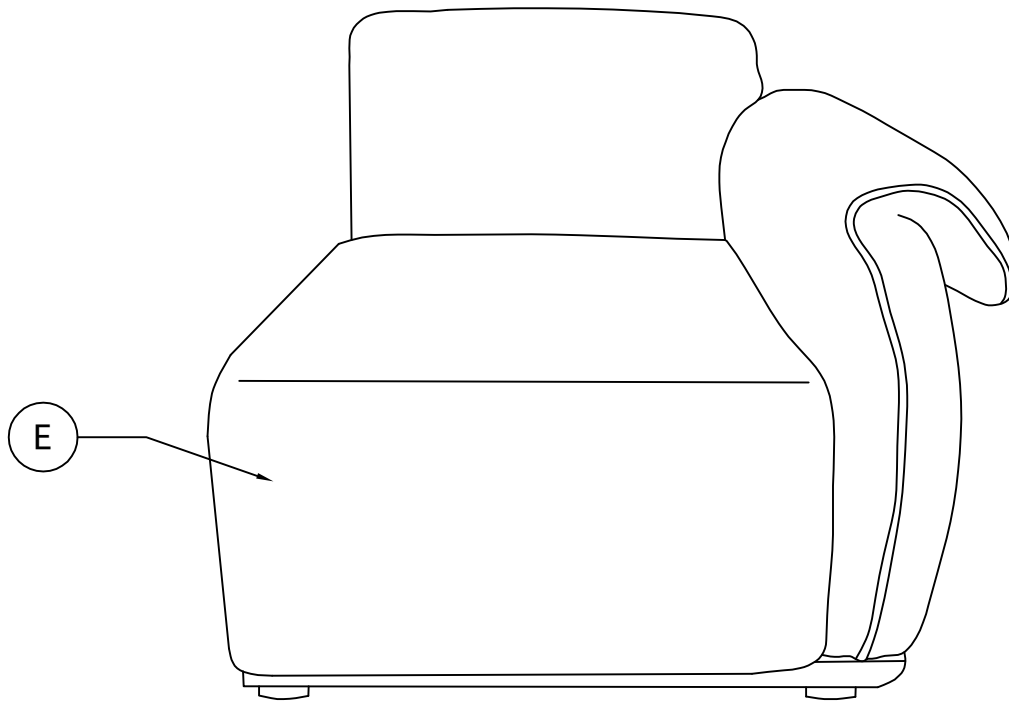
# Step1



# Step2

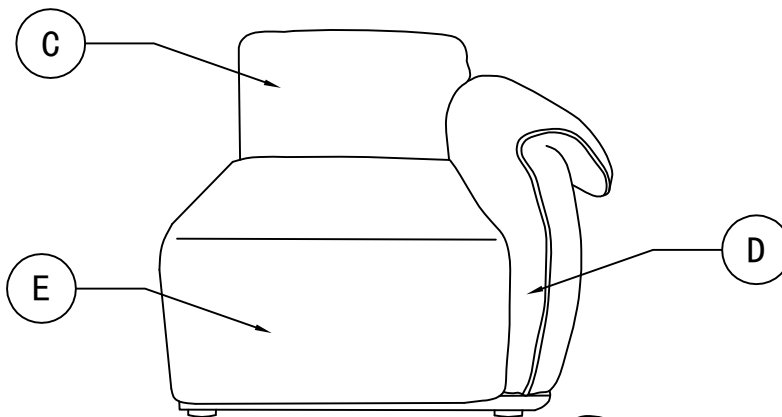


# Step3

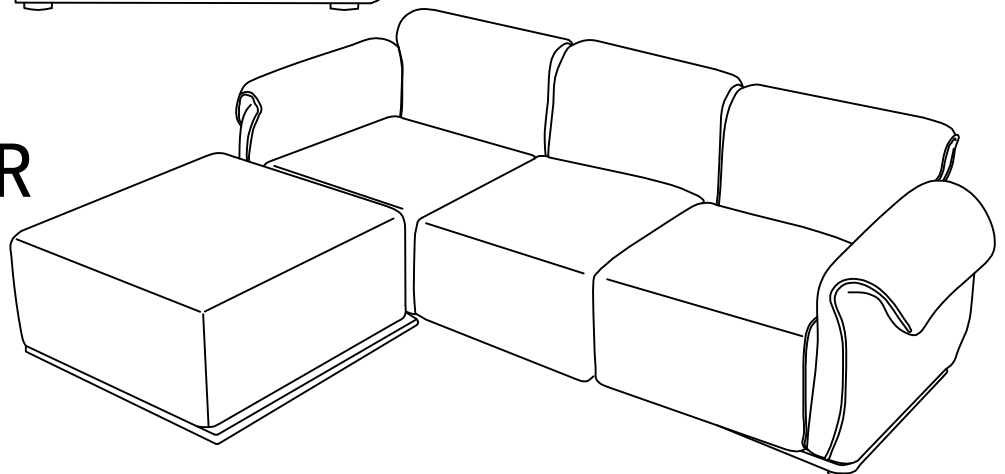


USE VELCRO TO PASTE BASE (E) OF THE OTHER SOFA TO JOINT TOGETHER

# Step4

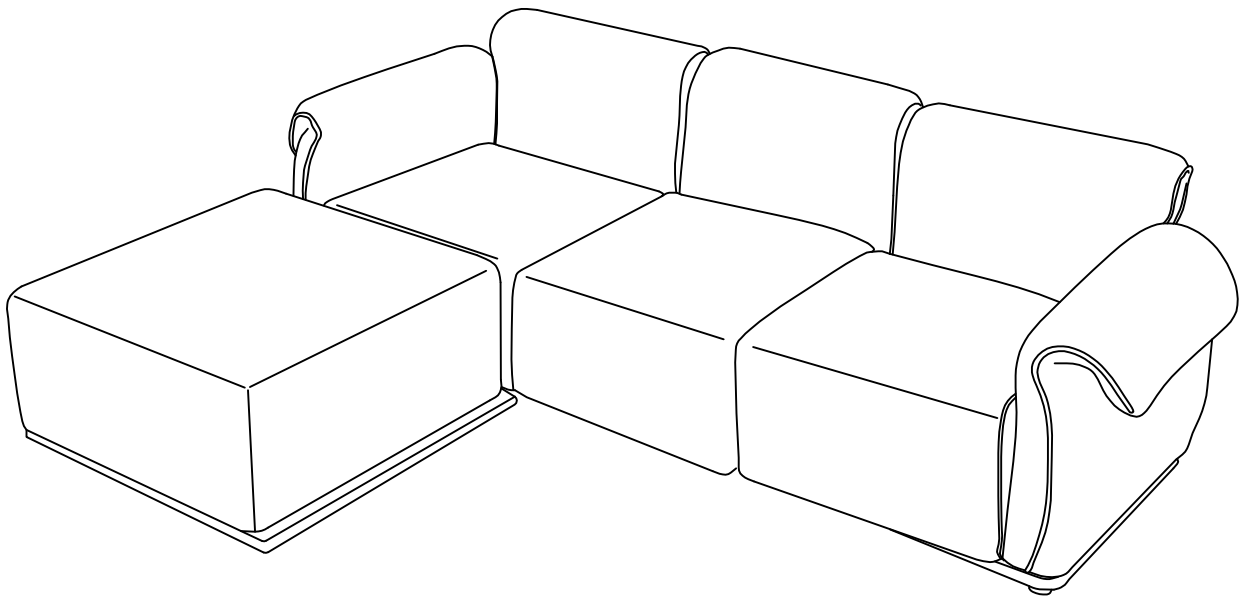
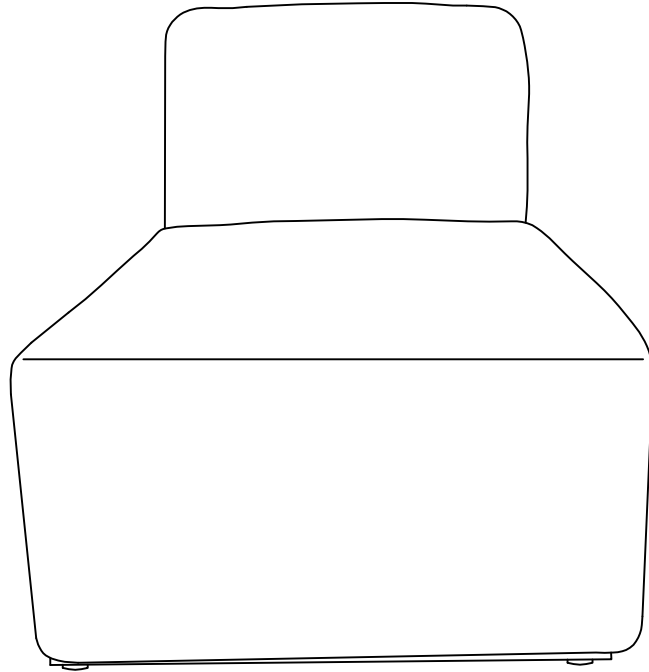


**OR**

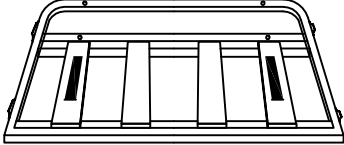
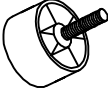

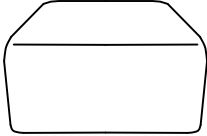


Mix and match with other sofas from the same series for customizable DIY combinations



# Assembly Instruction



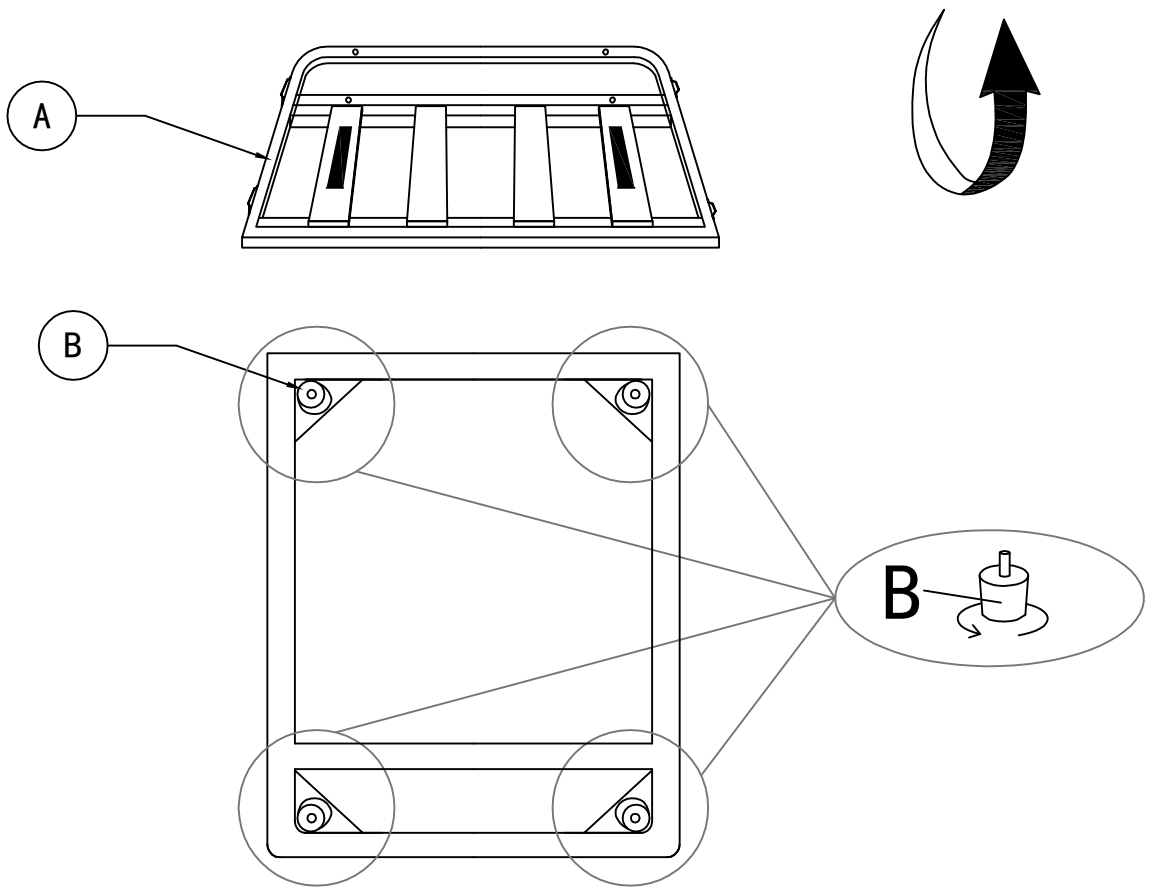
# Parts List

Label	Picture	Description	QTY
A		Metal bottom frame	1
B		Leg	4
C		Back Cushion	1
D		Seat Cushion	1

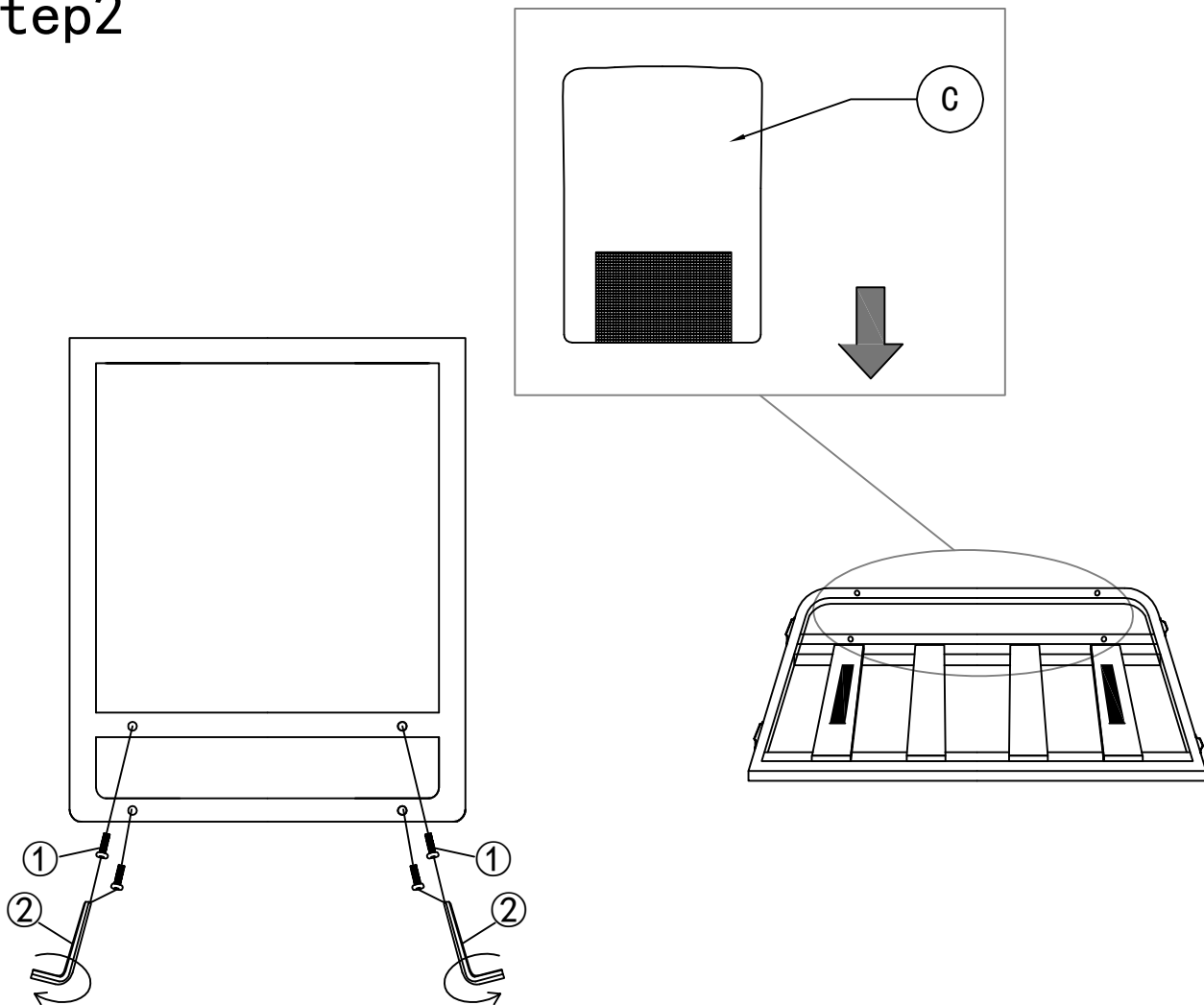
# Hardware

Label	Picture	Description	QTY
①		Bolt (M8*60MM)	4
②		Allen Key (5mm)	1

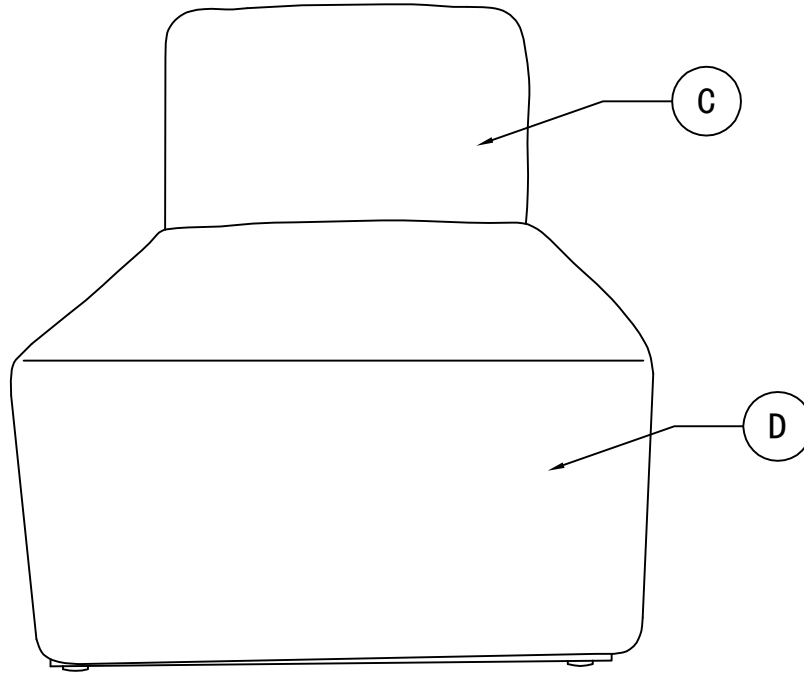
# Step1



# Step2

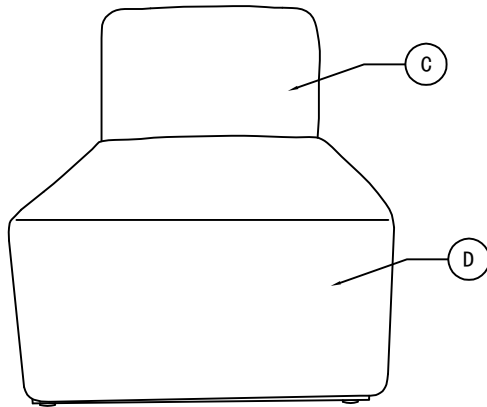


# Step3

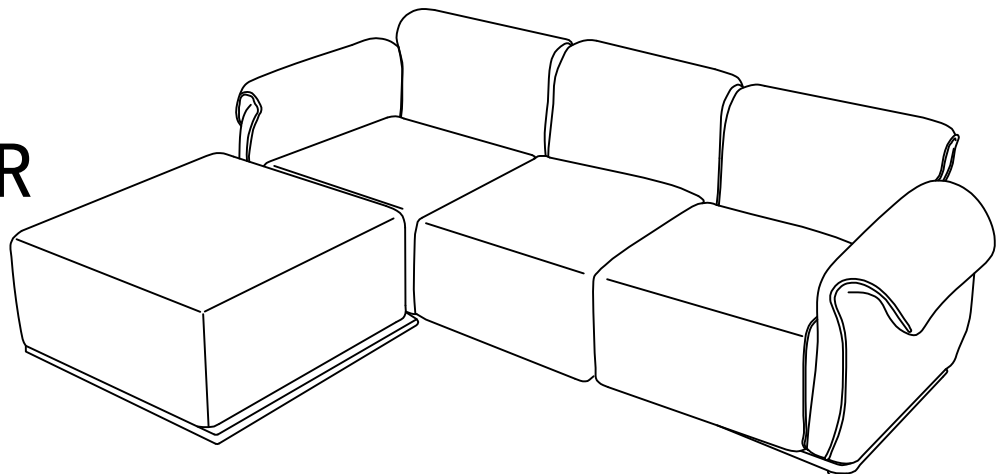


USE VELCRO TO PASTE BASE (D) OF  
THE OTHER SOFA TO JOINT TOGETHER

# Step4



**OR**



Mix and match with other sofas from the same  
series for customizable DIY combinations