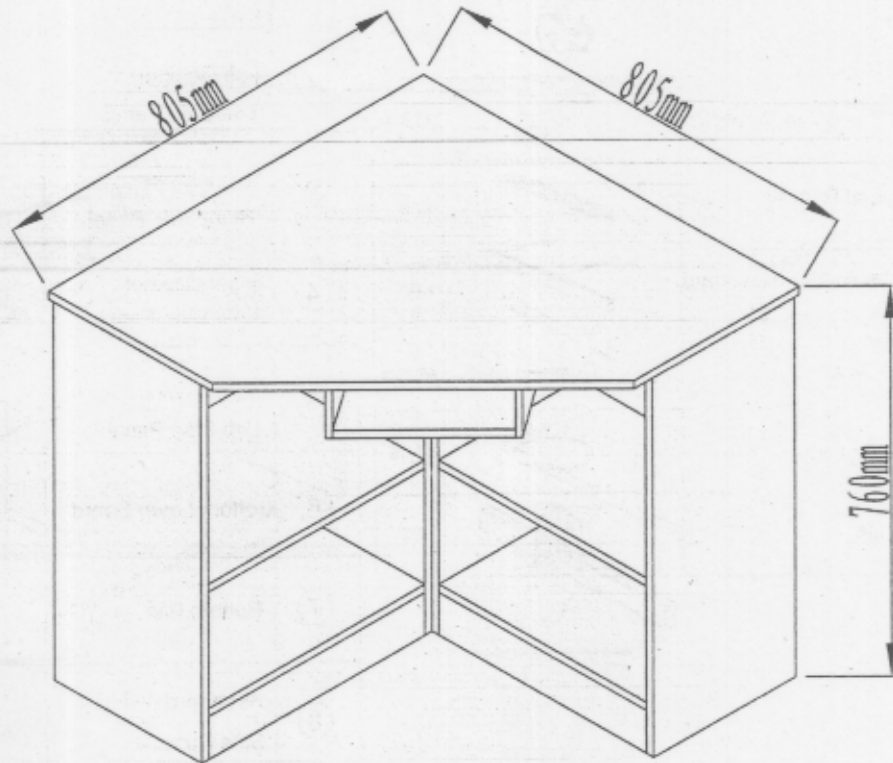


Assembly Instructions



Thank you for purchasing our product!

Please assemble the products with the guidance of this manual instruction. Contact our friendly customer service department with any comments or in case there is any missing or damaged parts or hardware.

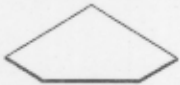










We appreciate your business!

Corner Desk

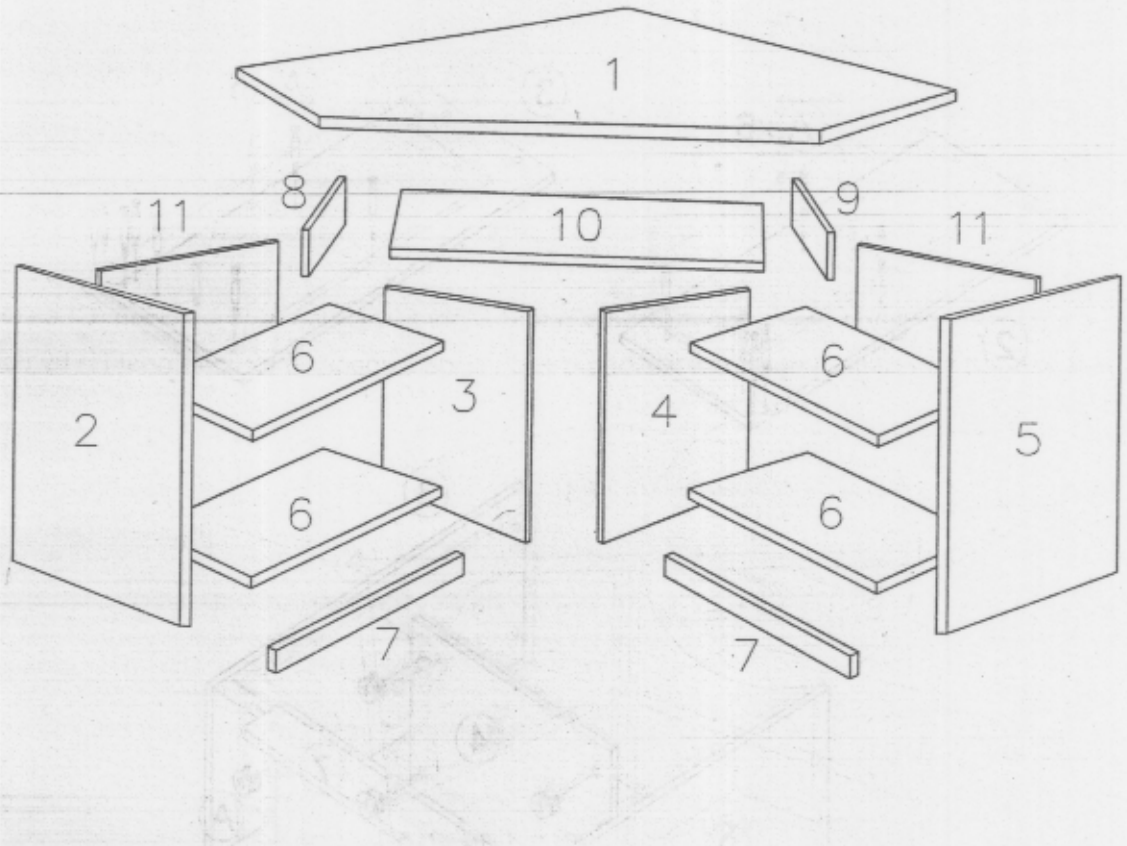
Hardware List

ITEM	DESCRIPTION	PART	QTY
(A)	Mini Fix		36 PCS
(B)	Camlock		36 PCS
(C)	Screw (Φ3x15mm)		12 PCS
(D)	Metal Runner		1 PC
(E)	Metal Runner-Keyboard		1 PC
(F)	Iron Nail		48 PCS
(G)	Plastic Cap		8 PCS
(H)	Hinge		1 PC

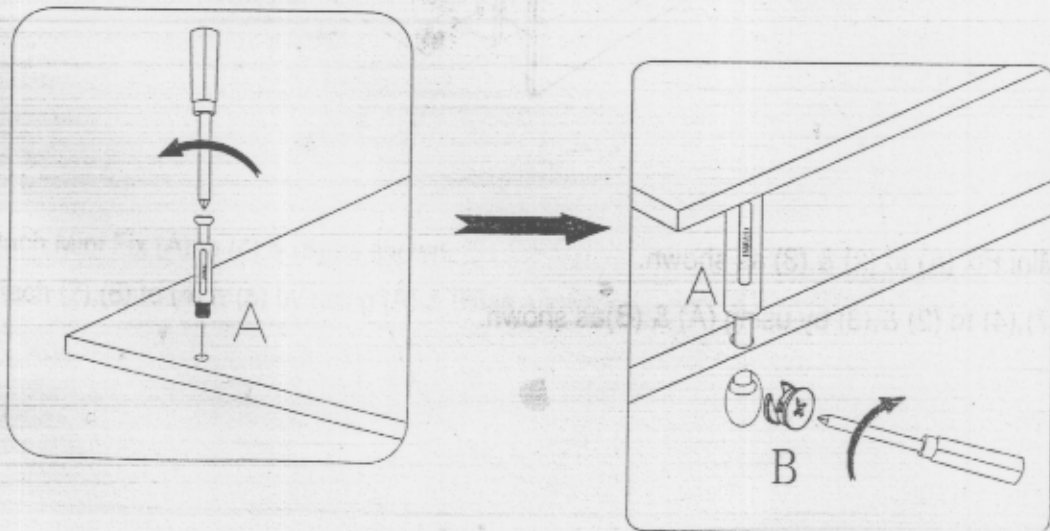
Part List

ITEM	DESCRIPTION-	PART	QTY
①	Top Panel		1 PC
②	Left Cabinet- Left Side Panel		1 PC
③	Left Cabinet- Right Side Panel		1 PC
④	Right Cabinet- Right Side Panel		1 PC
⑤	Right Cabinet- Left Side Panel		1 PC
⑥	Bottom Layer Board		4 PCS
⑦	Bottom Bar		2 PCS
⑧	Keyboard Left- Side Support		1 PC
⑨	Keyboard Right- Side Support		1 PC
⑩	Keyboard		1 PC
⑪	Back Panel		2 PCS

CORNER DESK

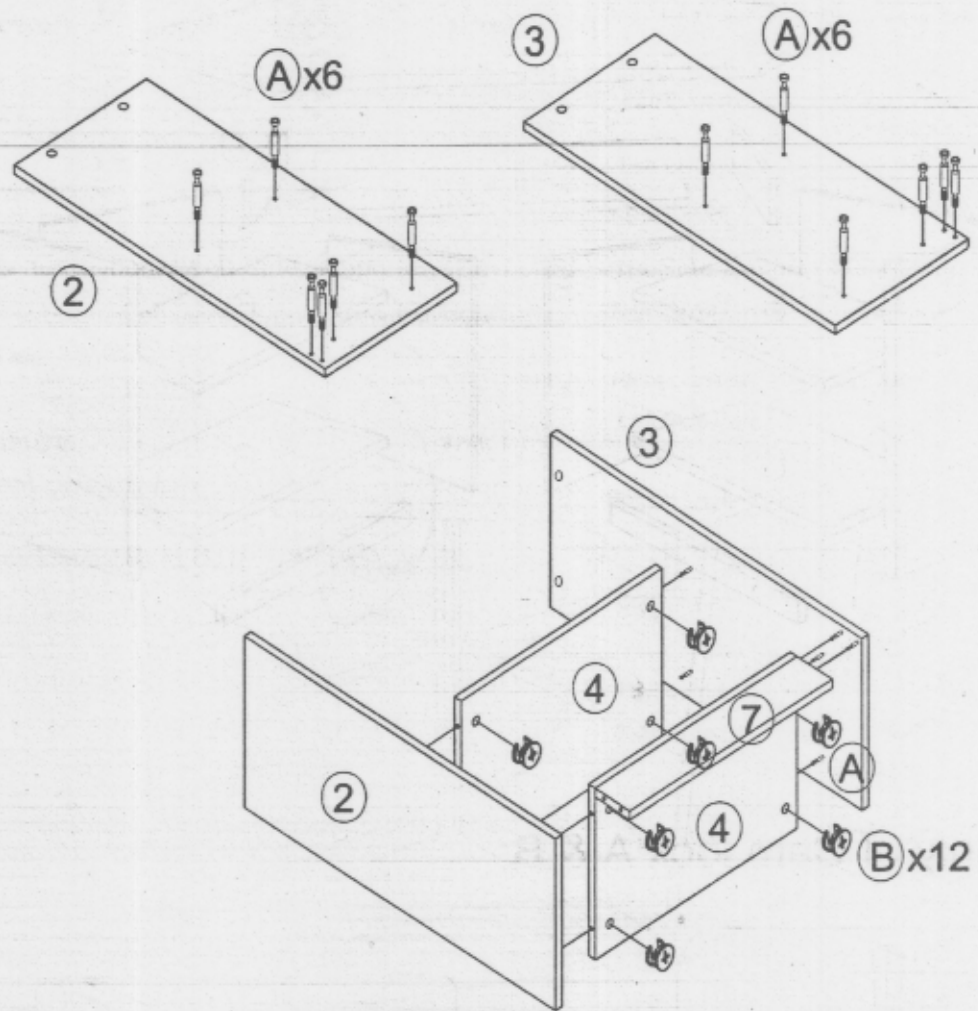


Assembly of Cam lock A & B:



corner desk

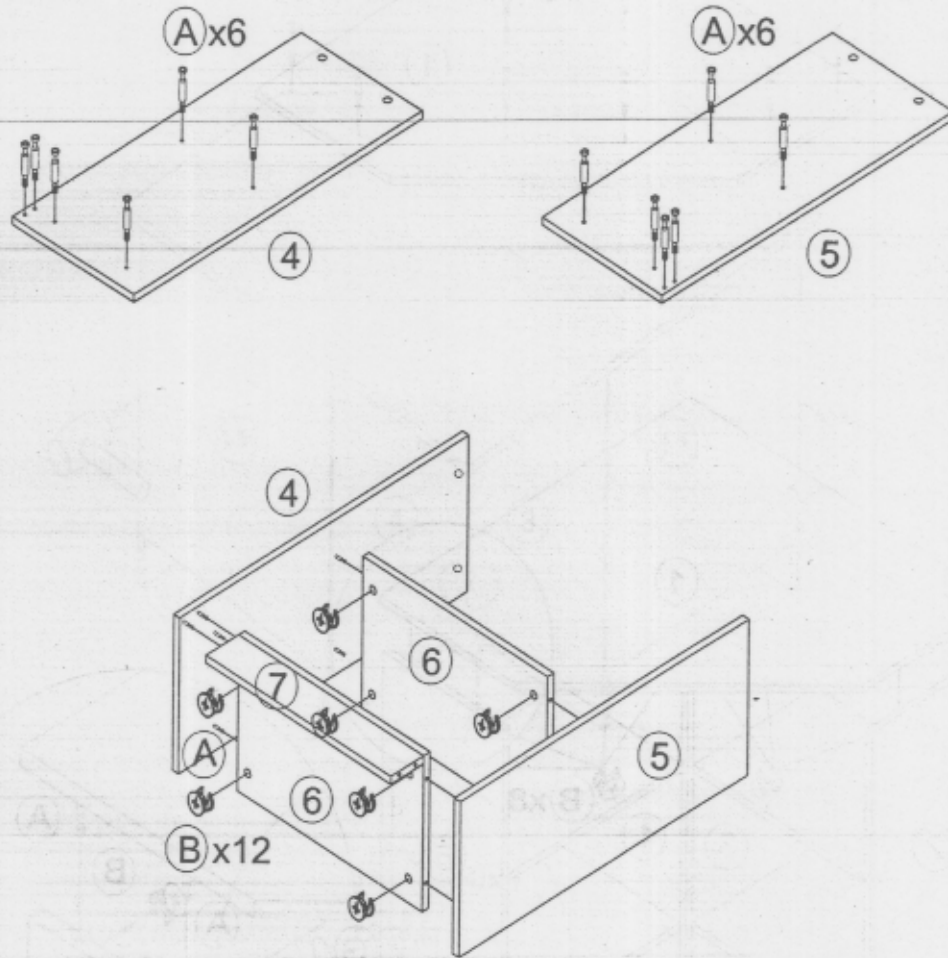
STEP 1



1) Attach Mini Fix (A) to (2) & (3) as shown.

2) Attach (7),(4) to (2) & (3) by using (A) & (B) as shown.

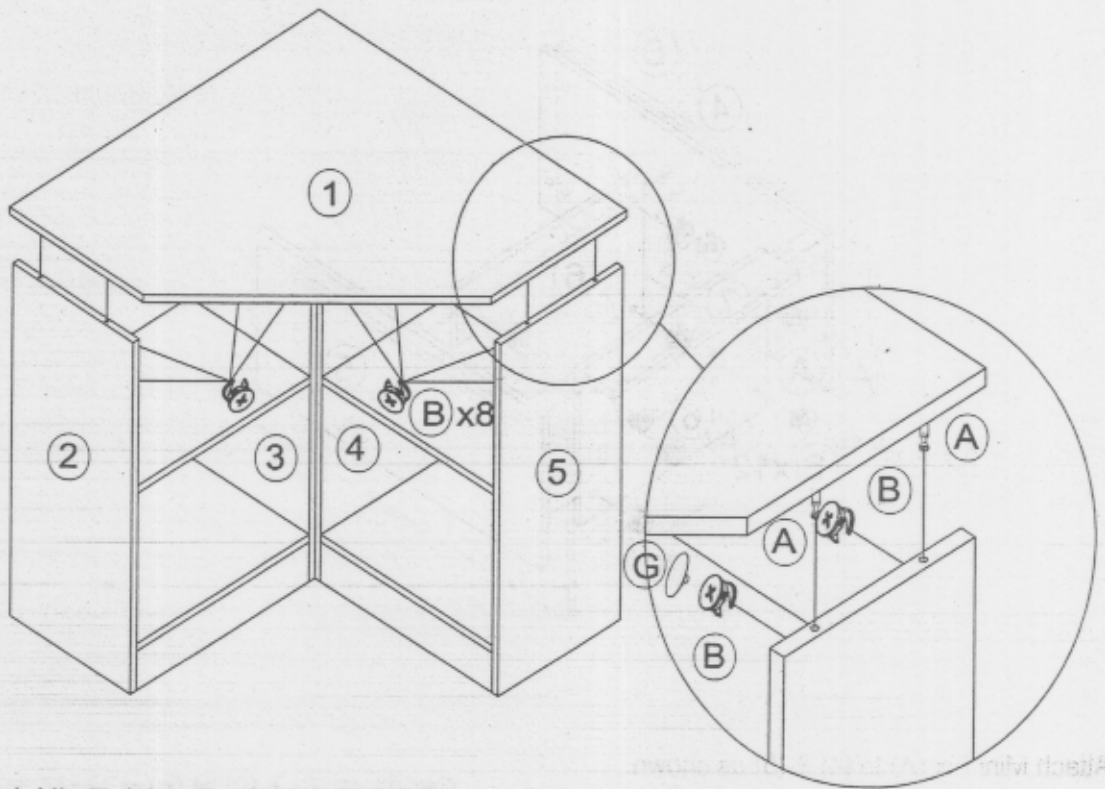
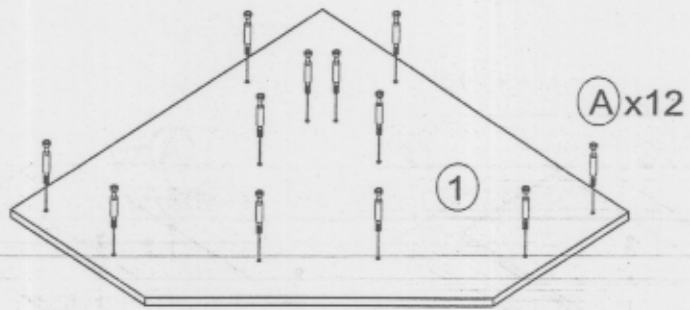
STEP 2



1) Attach Mini Fix (A) to (4) & (5) as shown.

2) Attach (7),(6) to (4) & (5) by using (A) & (B) as shown.

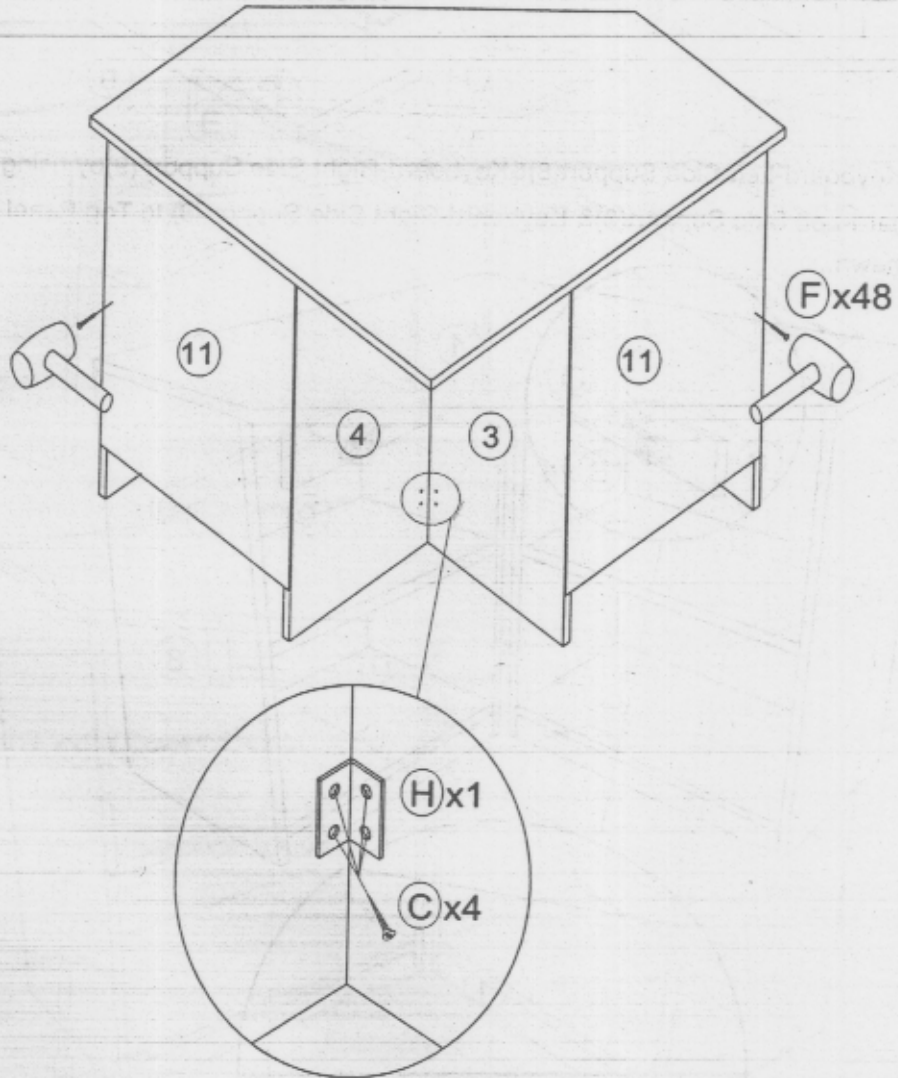
STEP 3



1) Attach Min Fix(A) to Top Panel(1) as shown.

2) Attach Top Panel(1) to (2),(3),(4)&(5) by using Camlock(B) as shown.

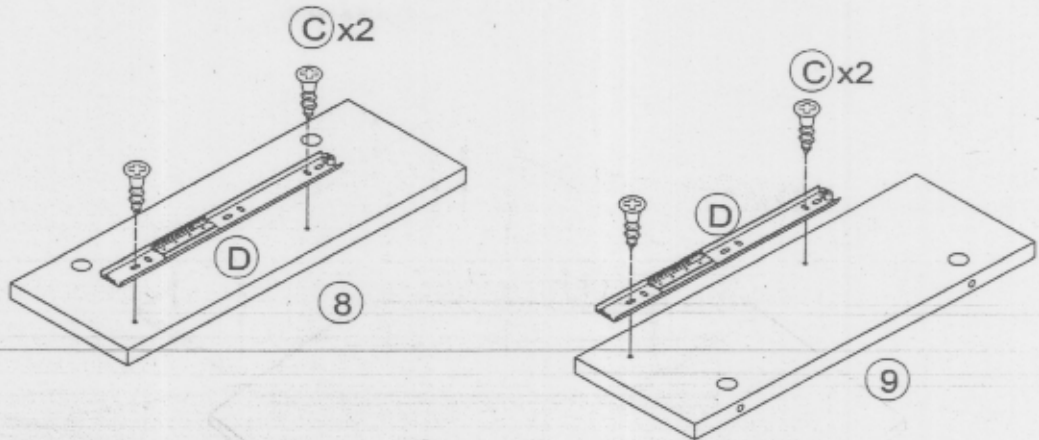
STEP 4



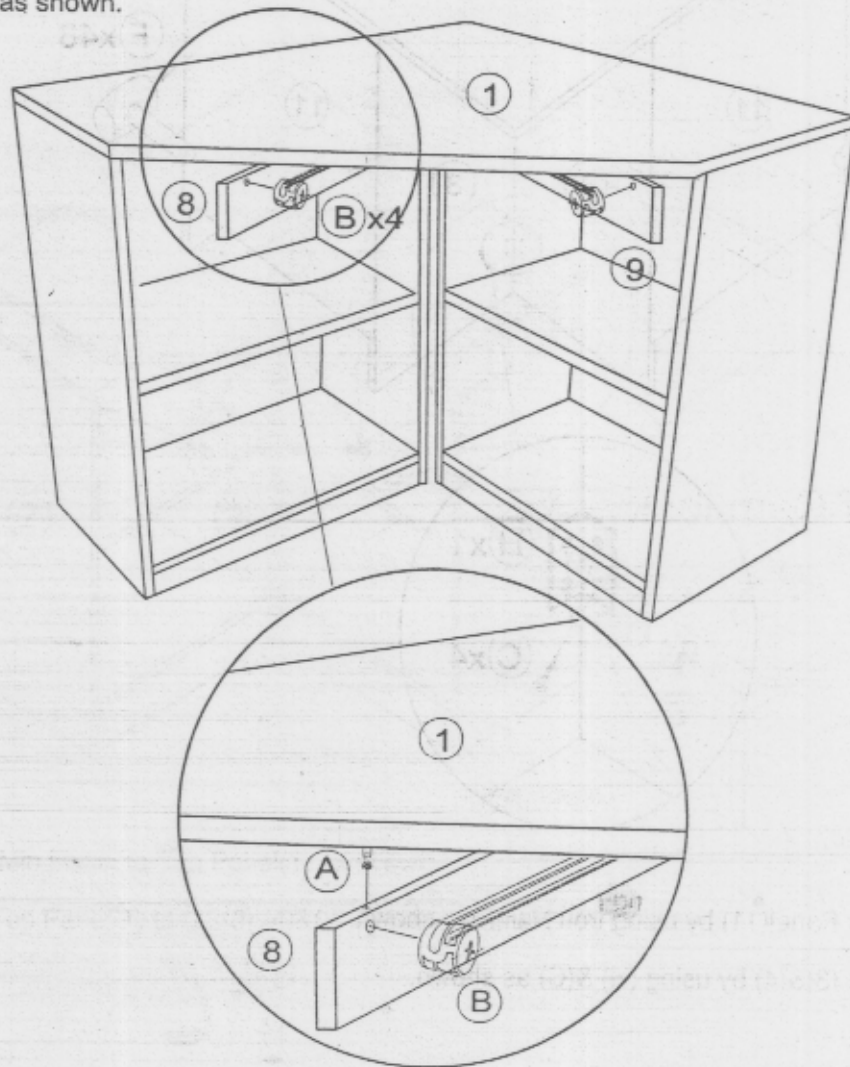
Attached the Back Panel(11) by using Iron Nail(F)as shown.

Then join the parts (3)&(4) by using (H) &(C) as shown.

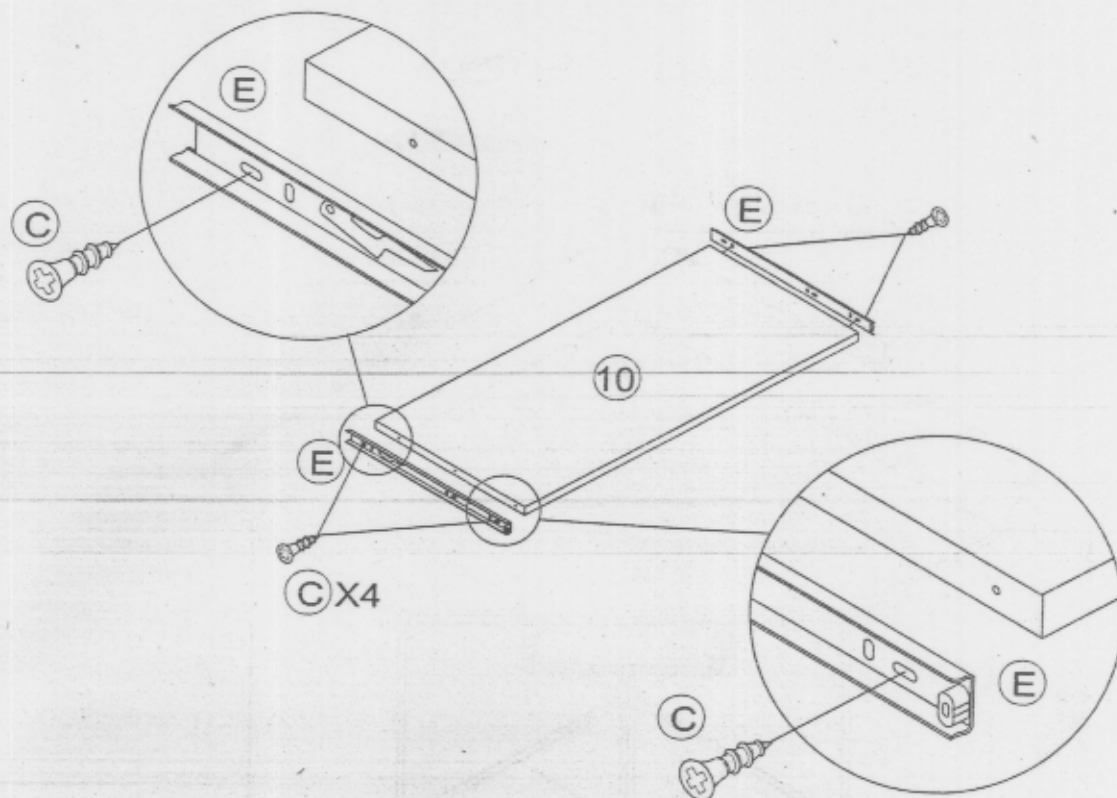
STEP 5



- 1) Attach (D) to Keyboard-Left Side Support(8)&Keyboard-Right Side Support (9)by using (C) as shown.
- 2) Attach Keyboard-Left Side Support(8)& Keyboard-Right Side Support(9) to Top Panel (1) by using (A) & (B) as shown.



STEP 6



- 1) Attach (E) to Keyboard(10) by using (C) as shown.
- 2) Insert Keyboard(10) to (8) & (9) as shown.
- 3) Please cover outside camlock by using plastic cover (G).