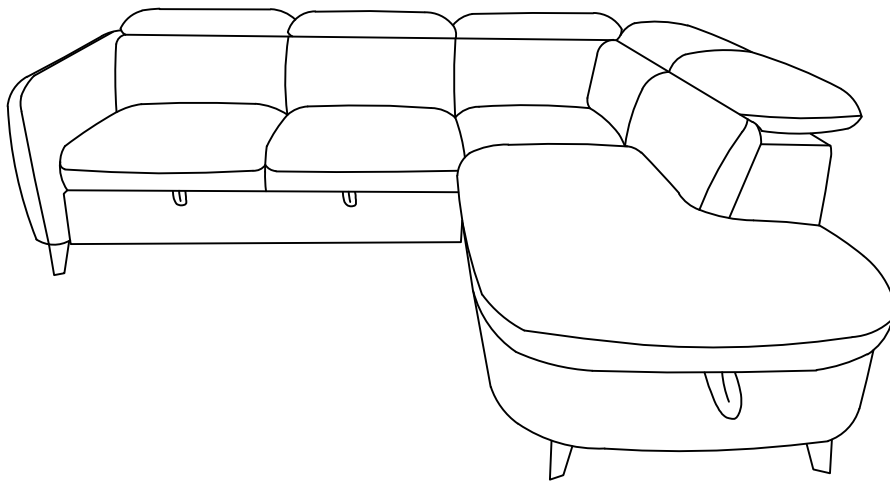


# ASSEMBLY INSTRUCTION

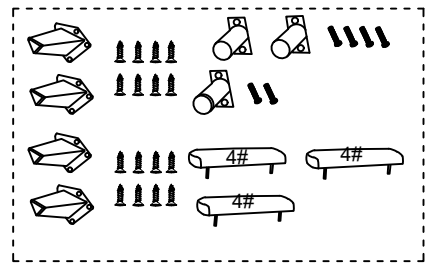
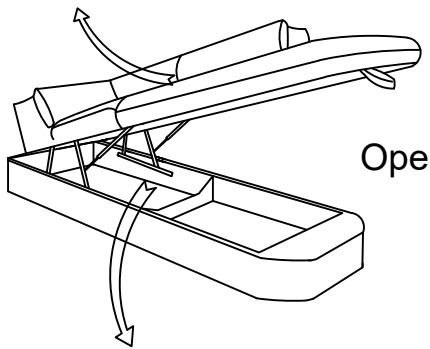
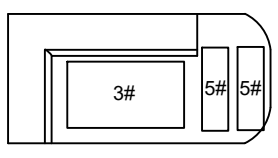
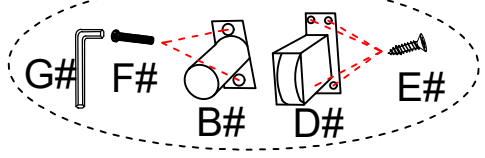
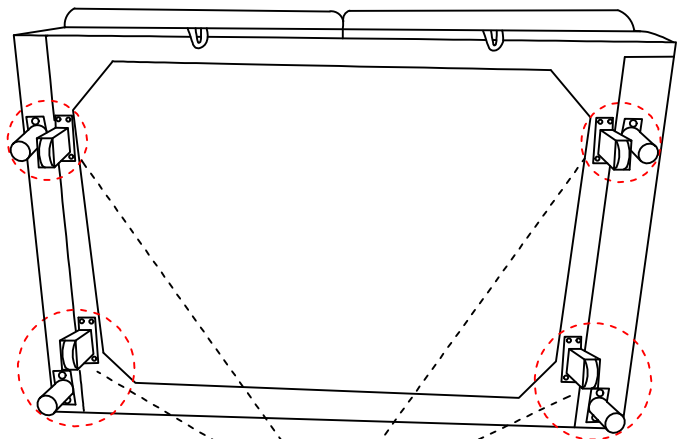
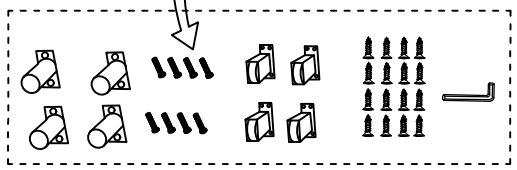
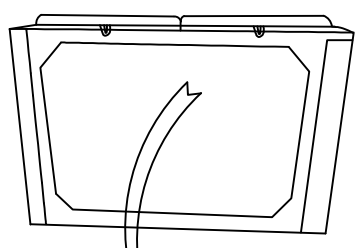


1# 1PC	2# 1PC	3# 1PC	4# 3PCS	5# 2PCS	A# 4PCS	B# 6PCS

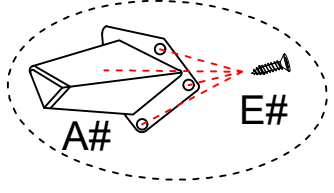
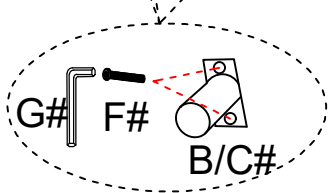
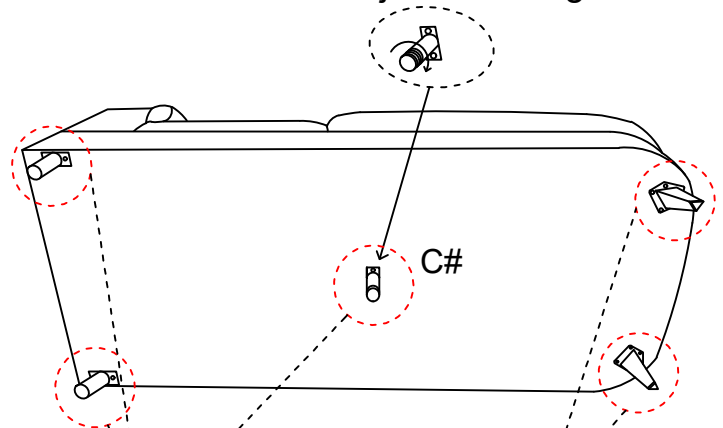
C# 1PC	D# 4PCS	E# 32PCS	F# 14PCS	G# 1PC
				 M5

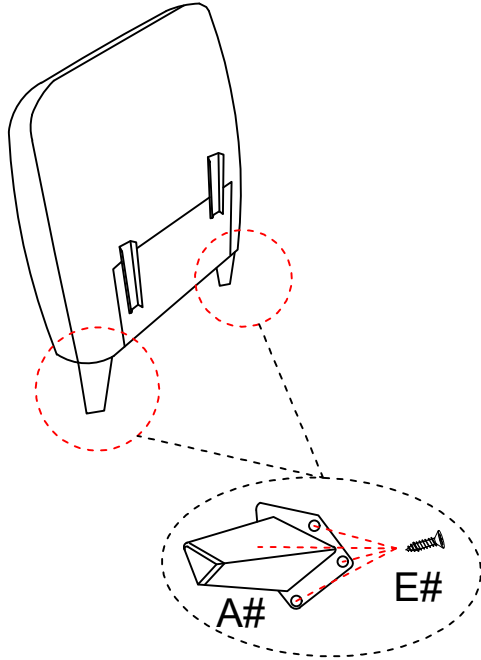
Pattern of sofa reference only.

1

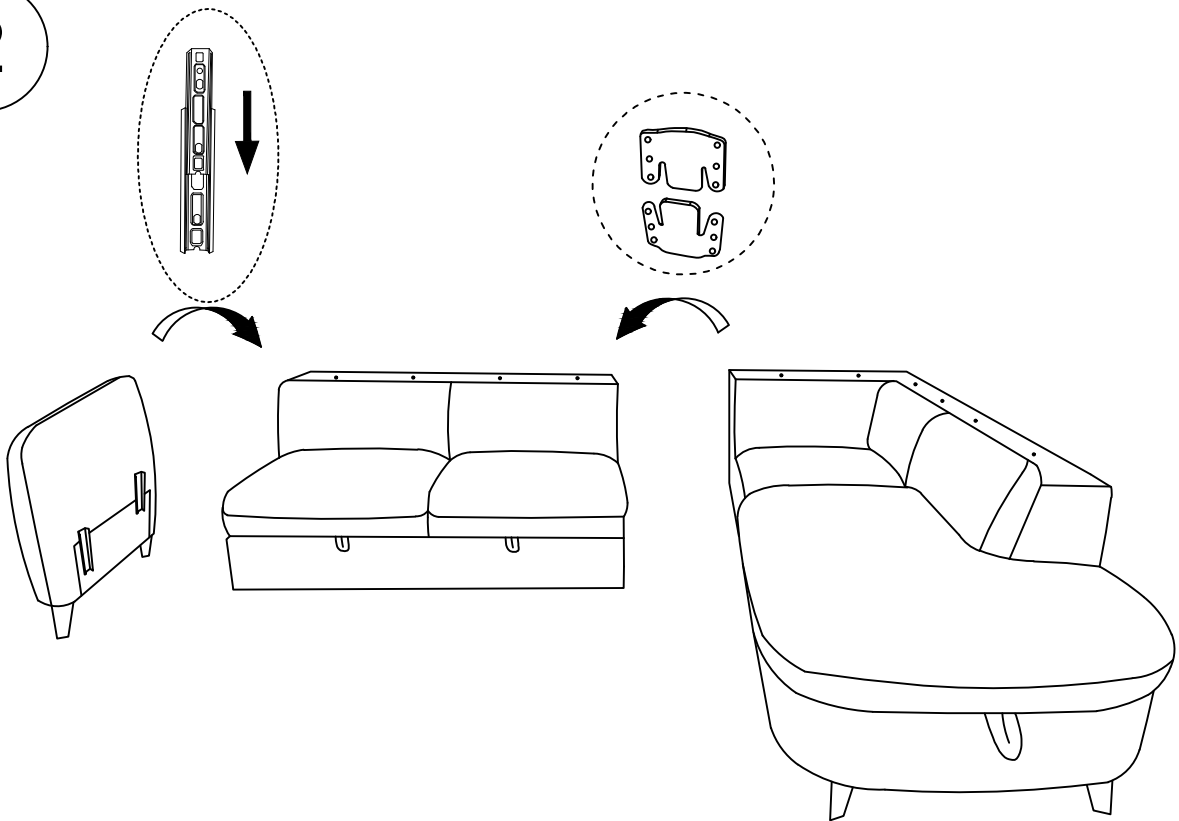


Adjustable height

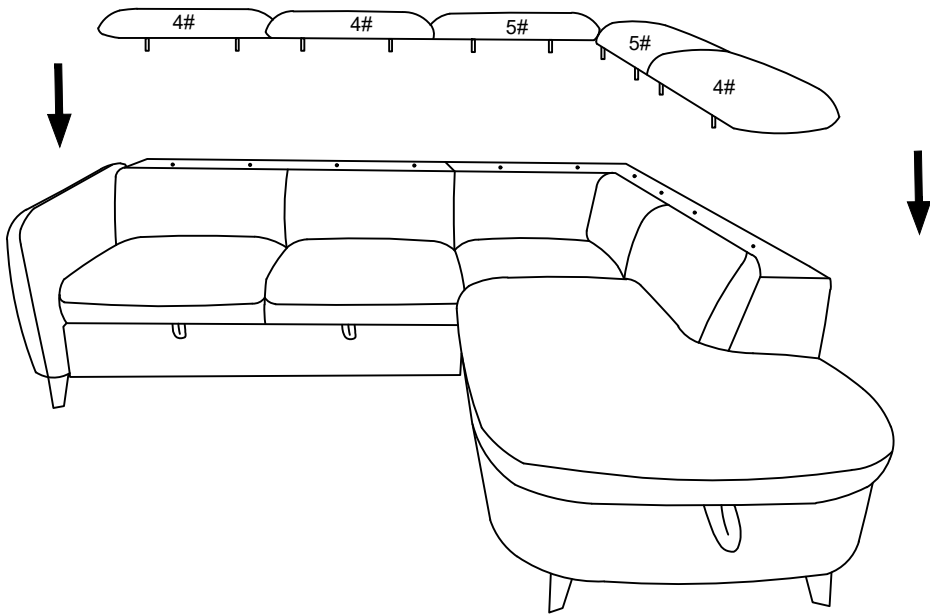




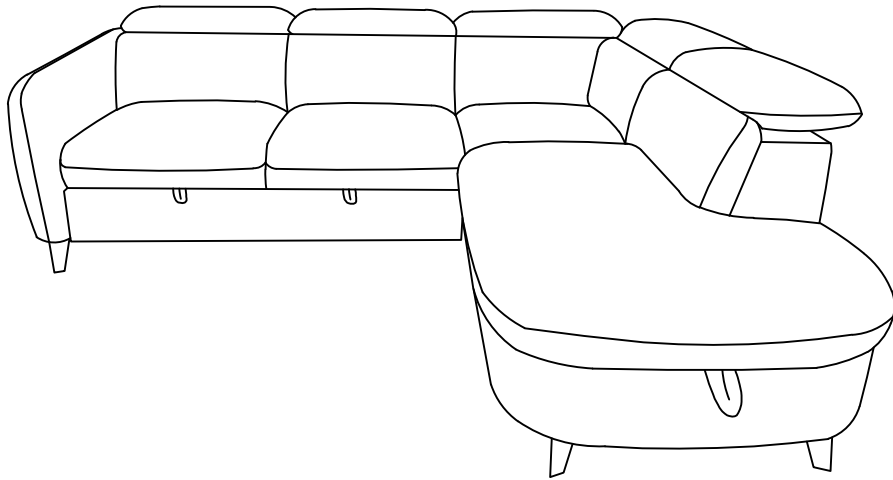
2



3

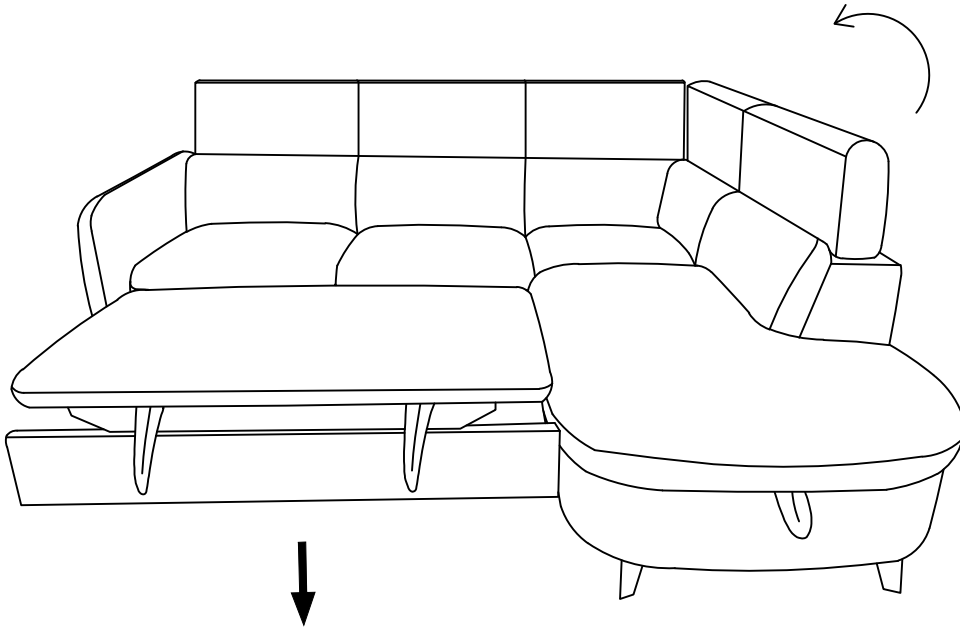


4



5

The headrest angle is adjustable.



Lift and open the sofa bed.