

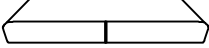
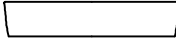
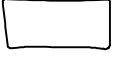










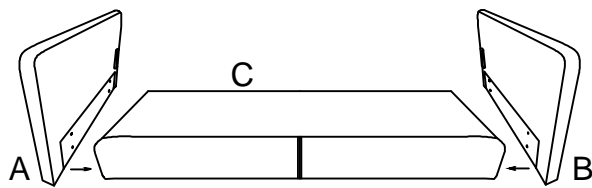


# Assembly Instruction

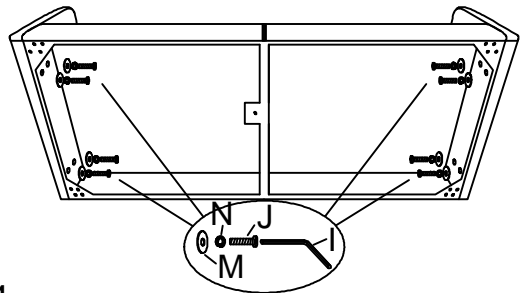
## COMPONENT LIST

NO.	DRAWING	QTY	NO.	DRAWING	QTY
A		1	B		1
C		1	D		1
E		2	F		2
G		4	H		1
I		1	J	 M8	8
K		1	L	 M6	16
M		8	N		8
O		2			

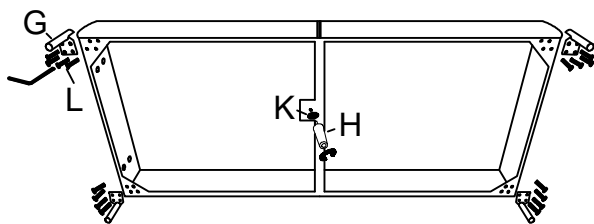
Step1.



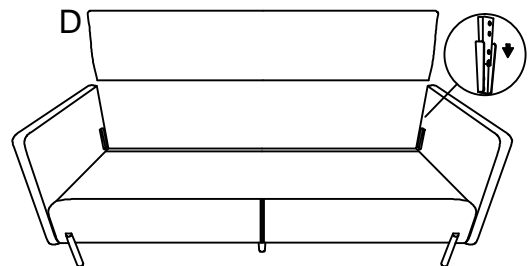
Step2.



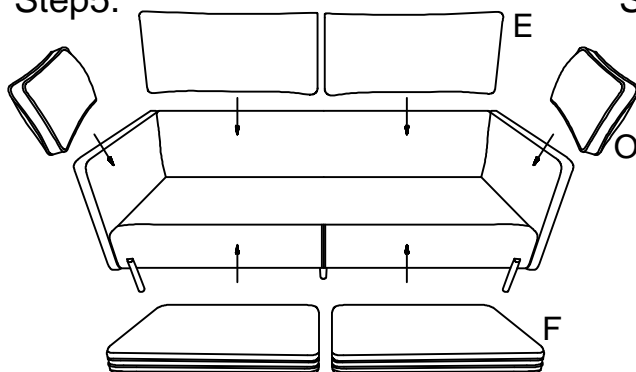
Step3.



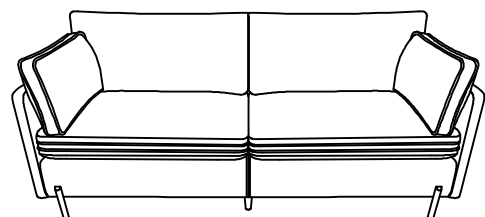
Step4.



Step5.



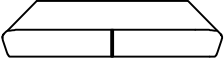
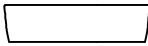











Step6.

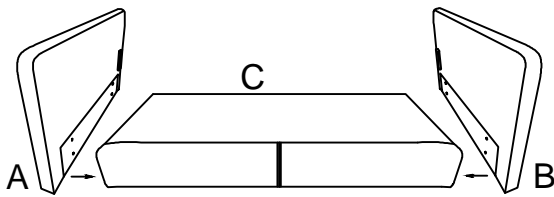


# Assembly Instruction

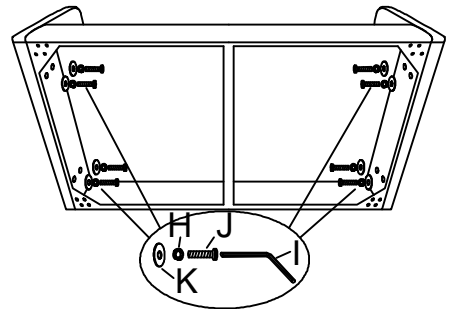
## COMPONENT LIST

NO.	DRAWING	QTY	NO.	DRAWING	QTY
A		1	B		1
C		1	D		1
E		2	F		2
G		4	H		8
I		1	J	 M8	8
K		8	L	 M6	16
M		2			

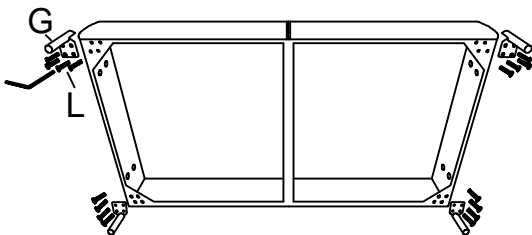
Step1.



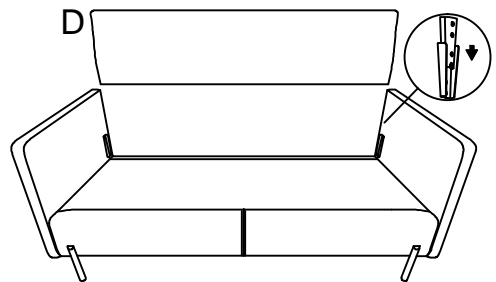
Step2.



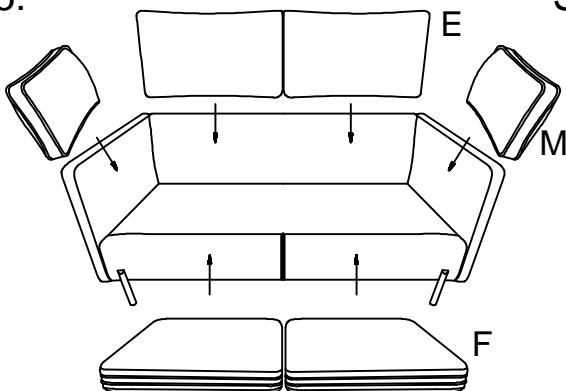
Step3.



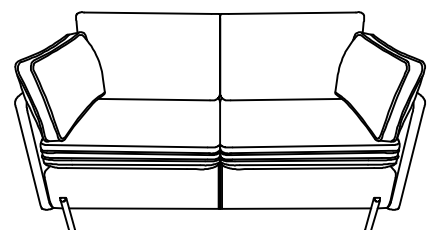
Step4.



Step5.



Step6.

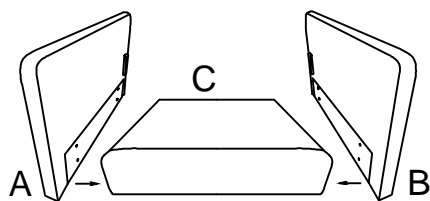


# Assembly Instruction

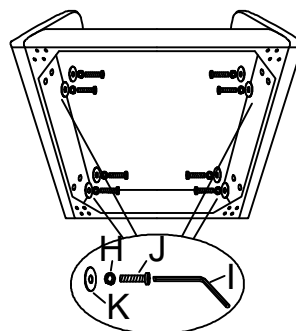
## COMPONENT LIST

NO.	DRAWING	QTY	NO.	DRAWING	QTY
A		1	B		1
C		1	D		1
E		1	F		1
G		4	H		8
I		1	J		8
K		8	L		16
M		2			

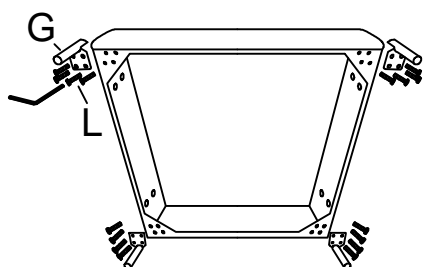
Step1.



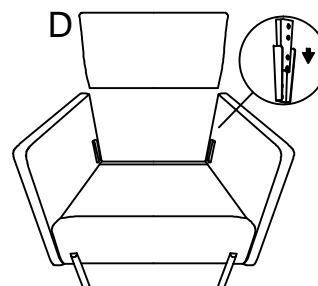
Step2.



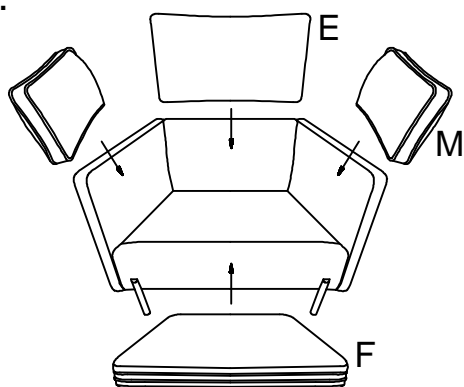
Step3.



Step4.



Step5.



Step6.

