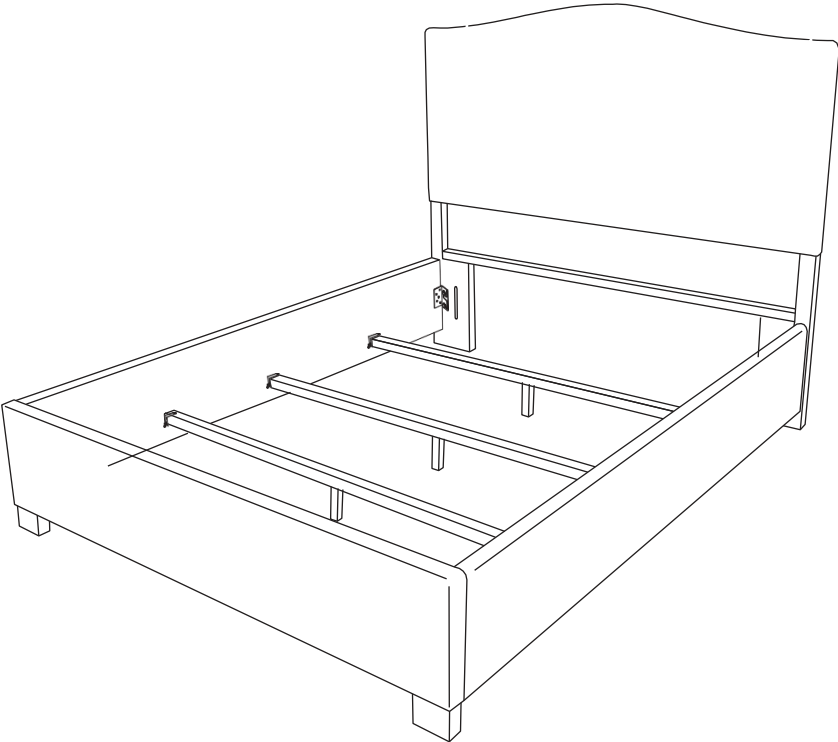


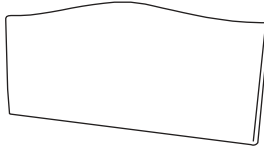
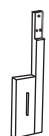
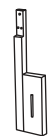

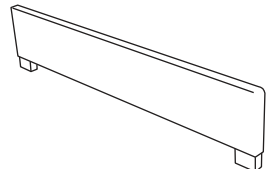
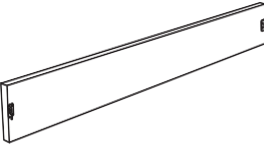


**CROSLEY**

FURNITURE

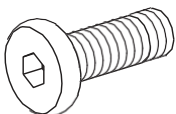
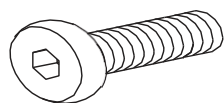


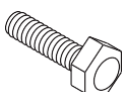

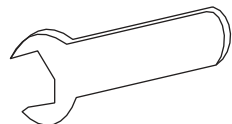
Twin Bed  
CF92005-302



# PART LIST

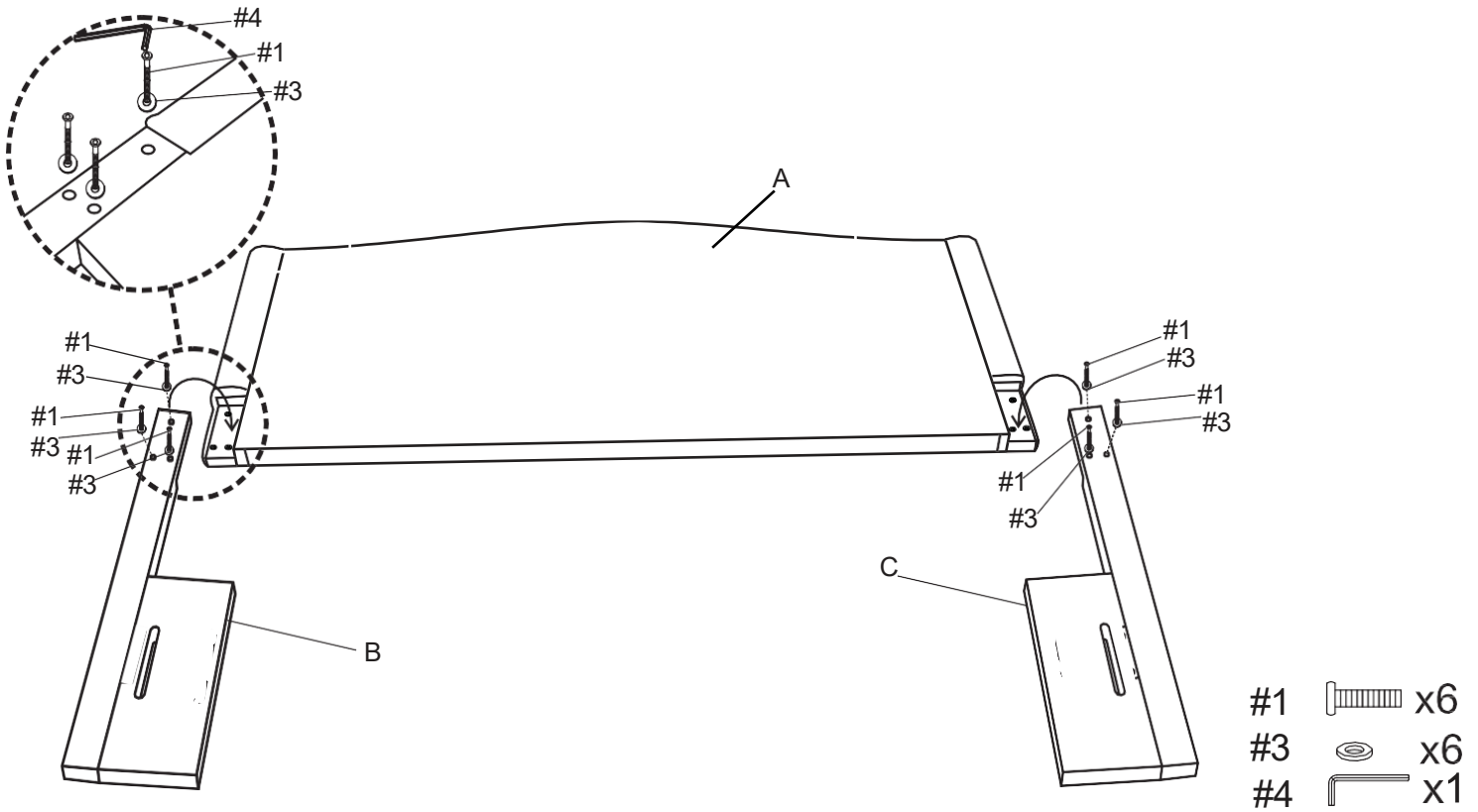
 <p>Headboard 1 PC</p>	 <p>Right Post 1 PC</p>	 <p>Left Post 1 PC</p>	 <p>Crossbar 1 PC</p>	 <p>Footboard 1 PC</p>
 <p>Side Rail 2 PCS</p>	 <p>Slats 3 PCS</p>	 <p>Center Leg 3 PCS</p>	<p>Please note headboard, right post, left post and crossbar will ship separately.</p>	

# HARDWARE LIST

 <p>1/4" x 1.1/2" L</p> <p>Short Bolt 6 PCS (Extra 1)</p>	 <p>1/4" x 2" L</p> <p>Bolt 2 PCS (Extra 1)</p>	 <p>Small Flat Washer 8 PCS (Extra 1)</p>	 <p>Allen Wrench 1 PC</p>	 <p>1/4" x 1.1/4" L</p> <p>Hex Bolt 8 PCS (Extra 1)</p>
 <p>Flat Washer 8 PCS</p>	 <p>Wrench 1 PC</p>			

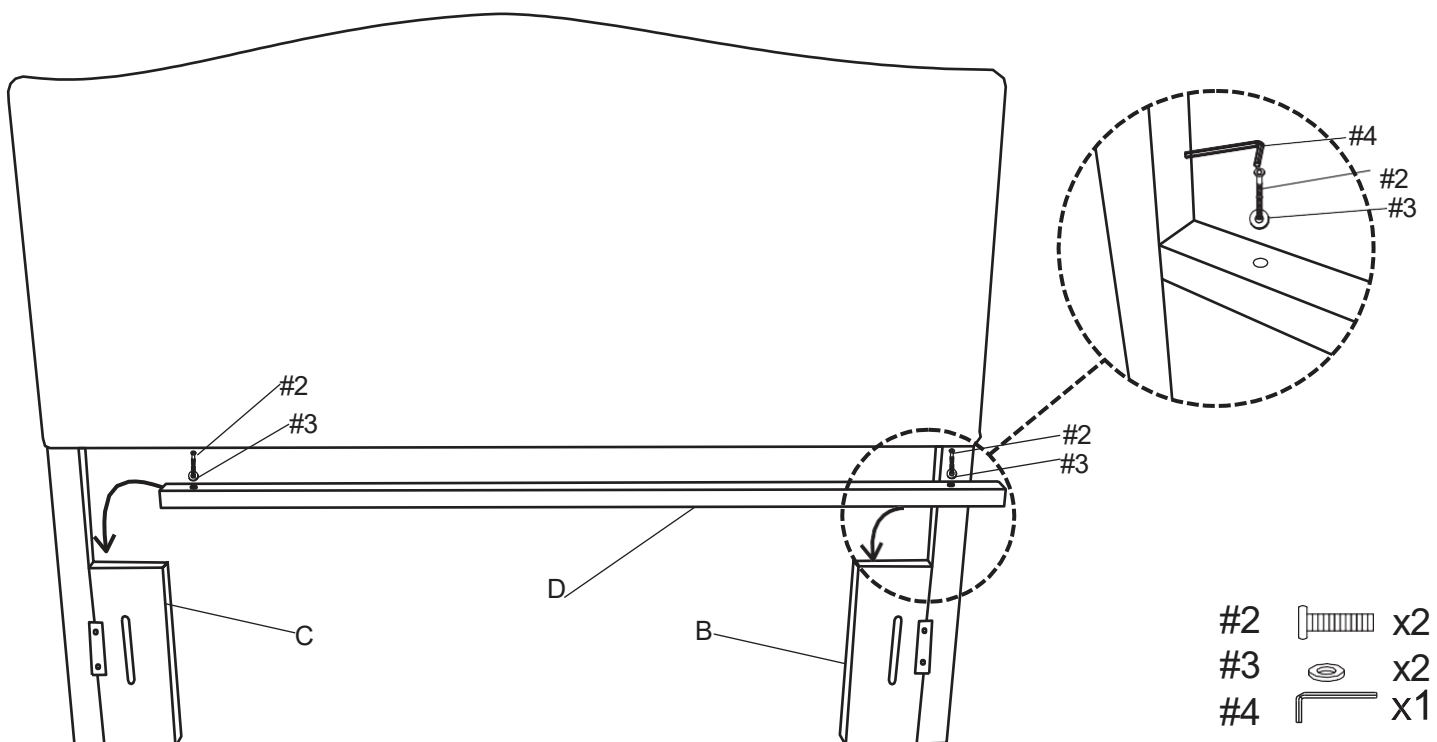
Step 1. Lay headboard (part A) down on a soft surface, such as carpet.  
 Attach posts (parts B & C) to headboard (part A) using short bolts (part #1), small flat washers (part #3) and allen wrench (part #4).

NOTE: Please do not fully tighten bolts until unit is fully assembled.



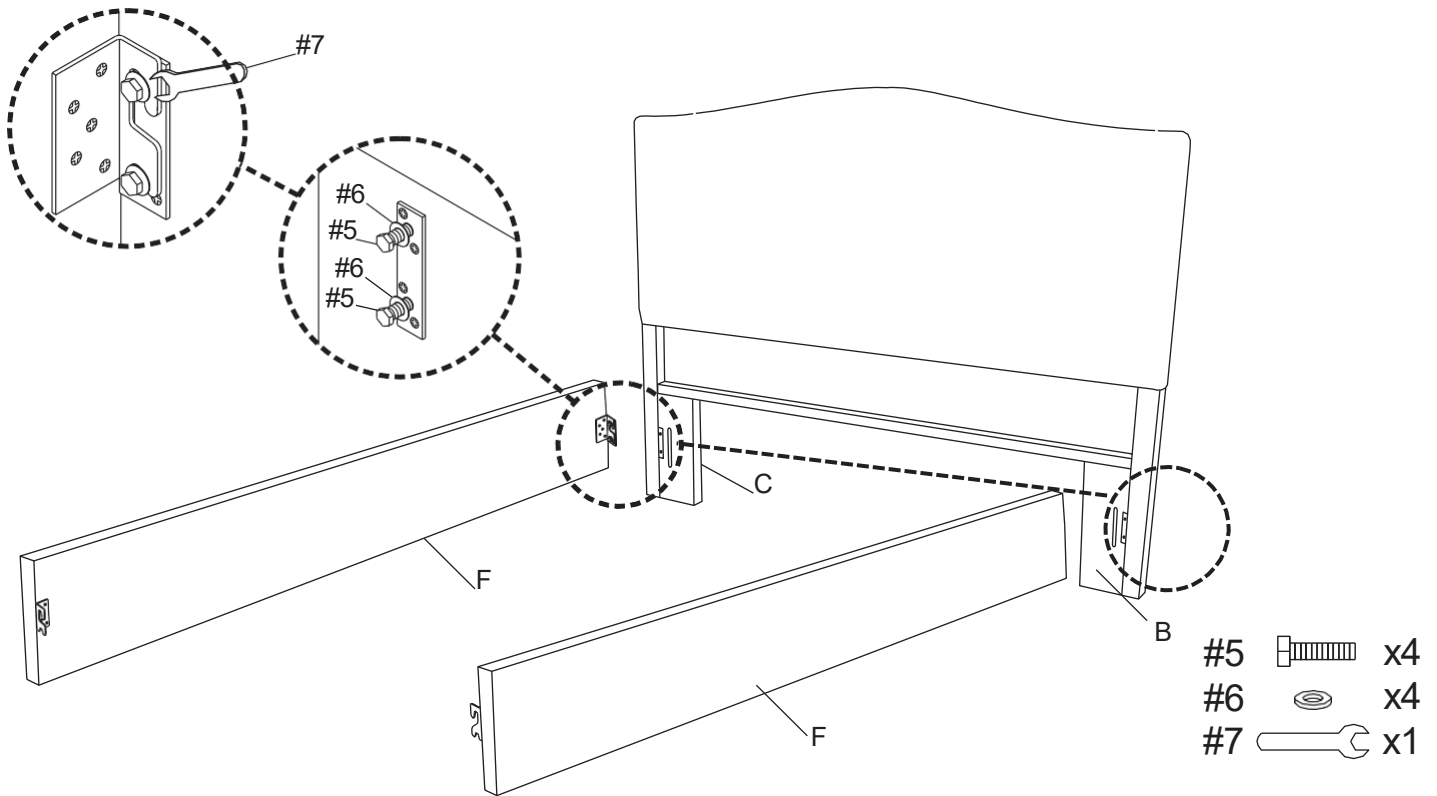
Step 2. Attach crossbar (part D) to posts (parts B & C) using bolts (part #2), small flat washers (part #3) and allen wrench (part #4).

NOTE: Please do not fully tighten bolts until unit is fully assembled.



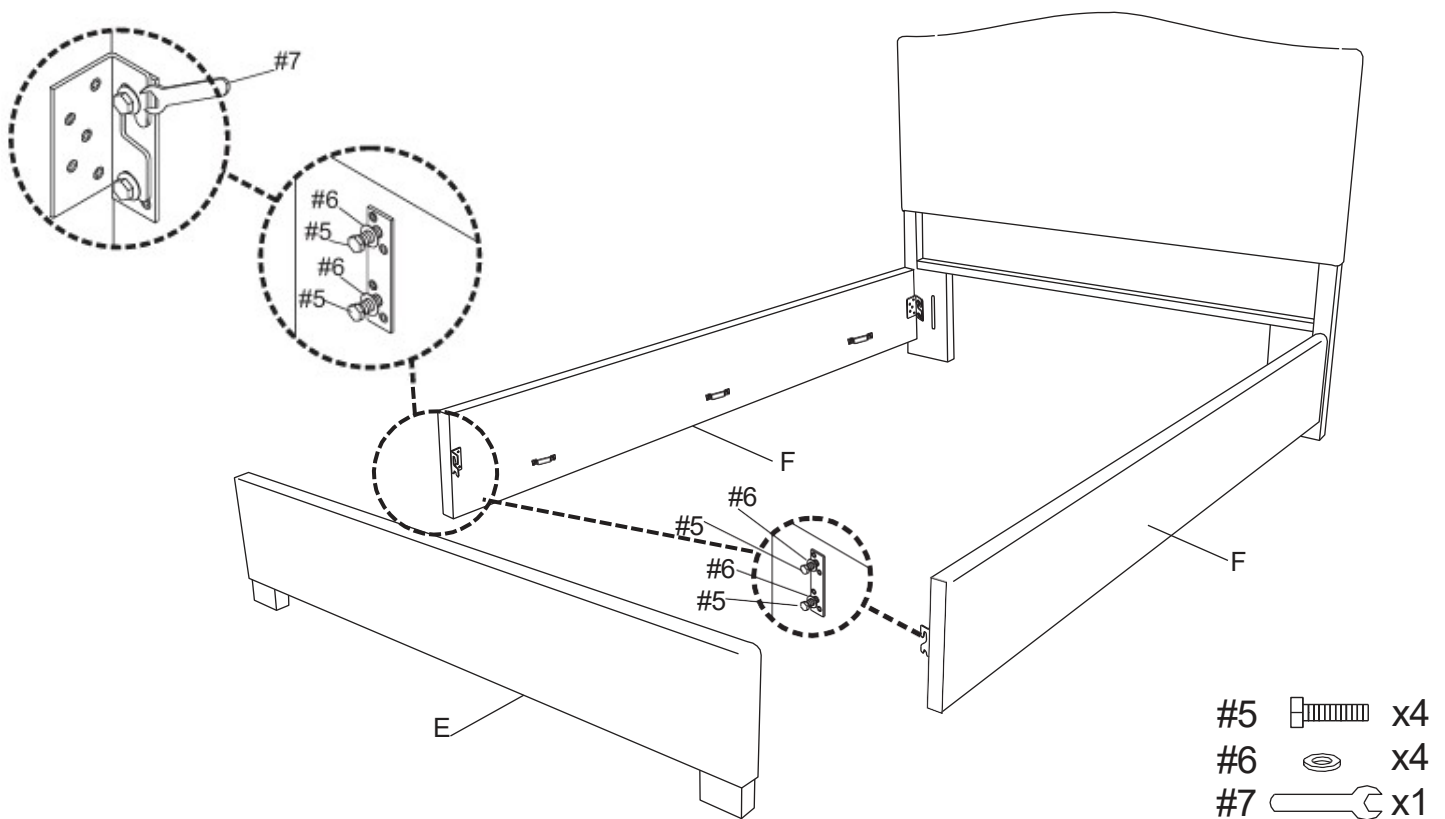
Step 3. Attach side rails (part F) to posts (parts B & C) using hex bolts (part #5), flat washers (part #6) and wrench (part #7).

NOTE: Please do not fully tighten bolts until unit is fully assembled.

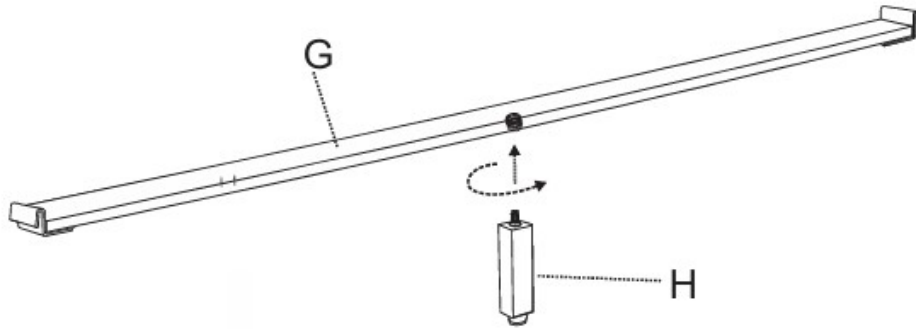


Step 4. Attach footboard (part E) to side rails (part F) using hex bolts (part #5), flat washers (part #6) and wrench (part #7).

NOTE: Please do not fully tighten bolts until unit is fully assembled.



Step 5. Attach center legs (part H) to slats (part G).



Step 6. Place assembled unit (parts G & H) to side rails (part F) by fitting metal supports in place.

NOTE: Please fully tighten all bolts at this time.

