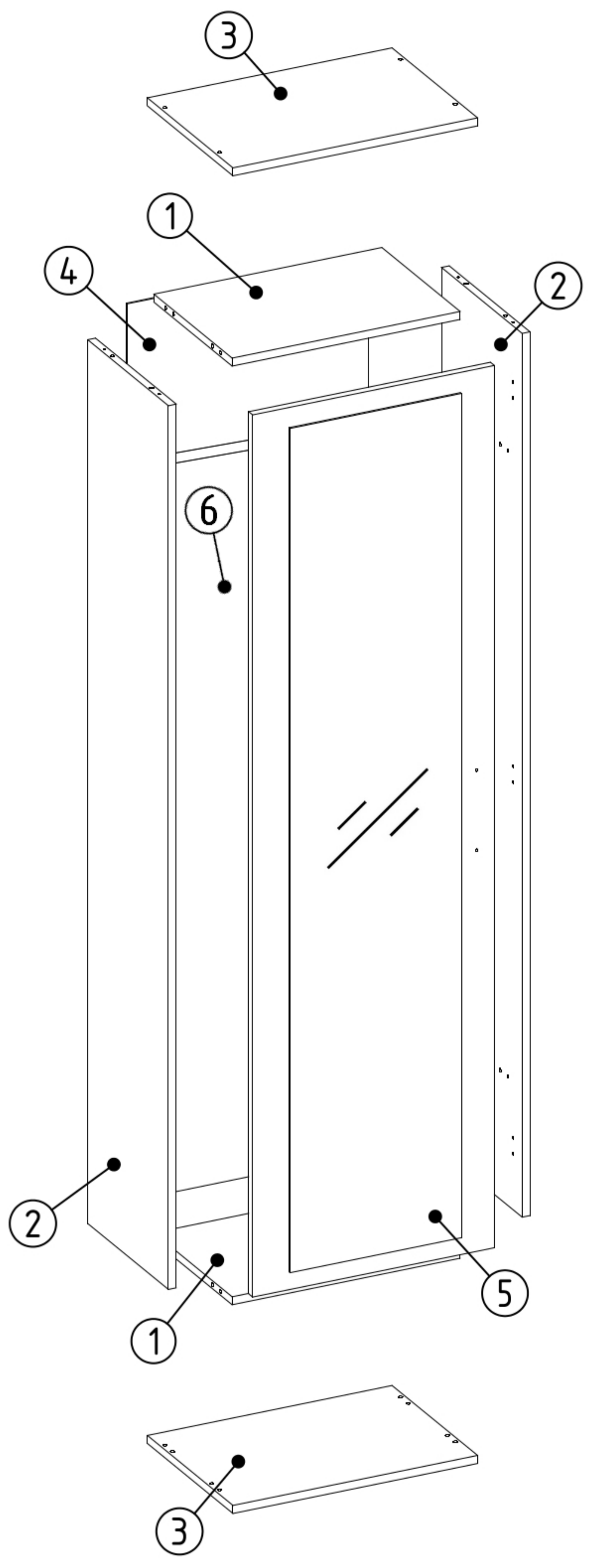




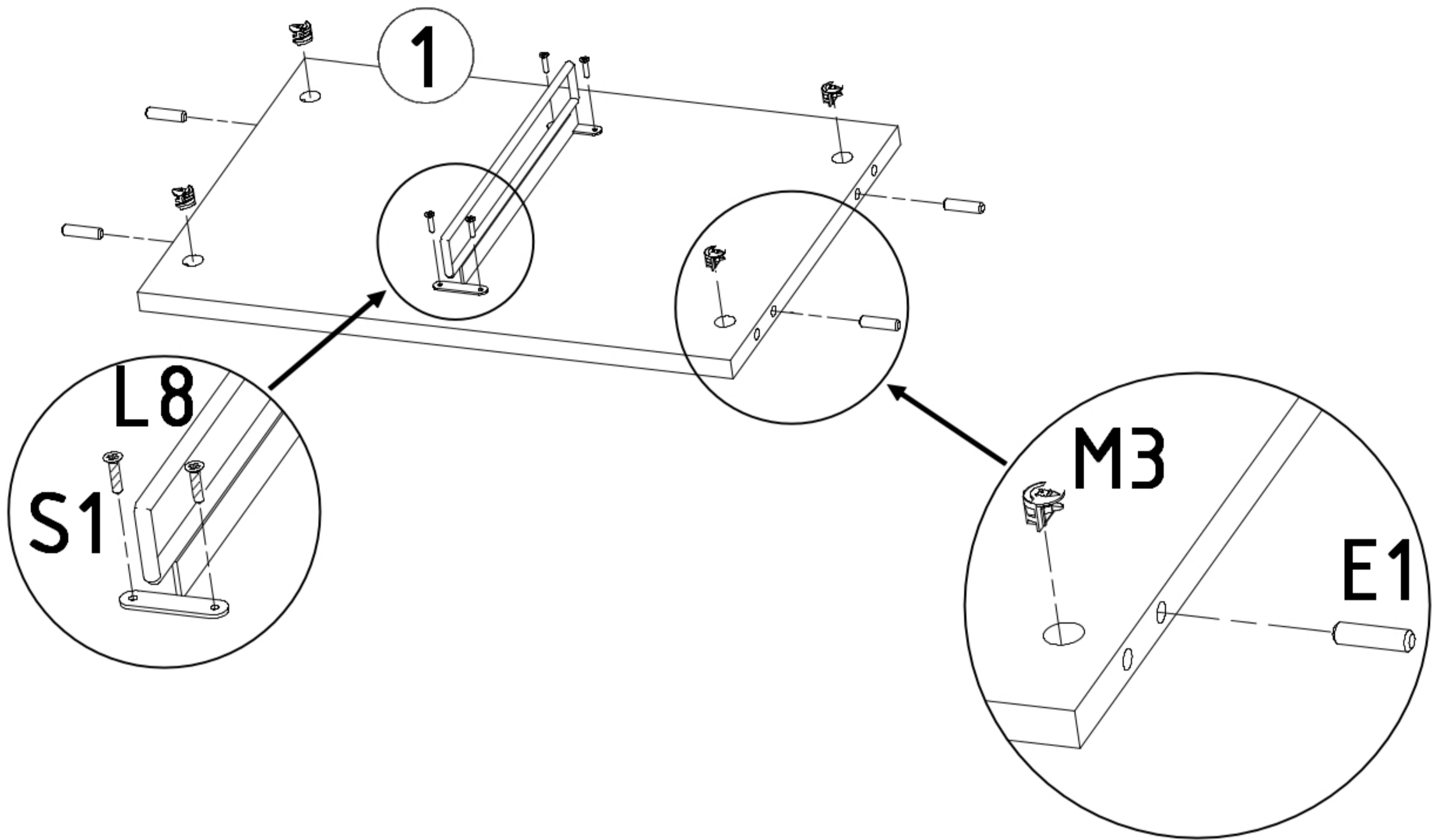




<b>N2</b>  20,3 x 8	<b>M3</b>  x 8	<b>S3</b>  4x27 x 2	<b>S1</b>  3,5x16 x 10	<b>K1</b>  x 1	<b>L8</b>  x 1	<b>Z4</b>  x 4
<b>T1</b>  x 4	<b>Z2</b>  x 60	<b>A0</b>  x 3	<b>E1</b>  8x30 x 16	<b>U6</b>  x 1	<b>F2</b>  x 8	 x 1

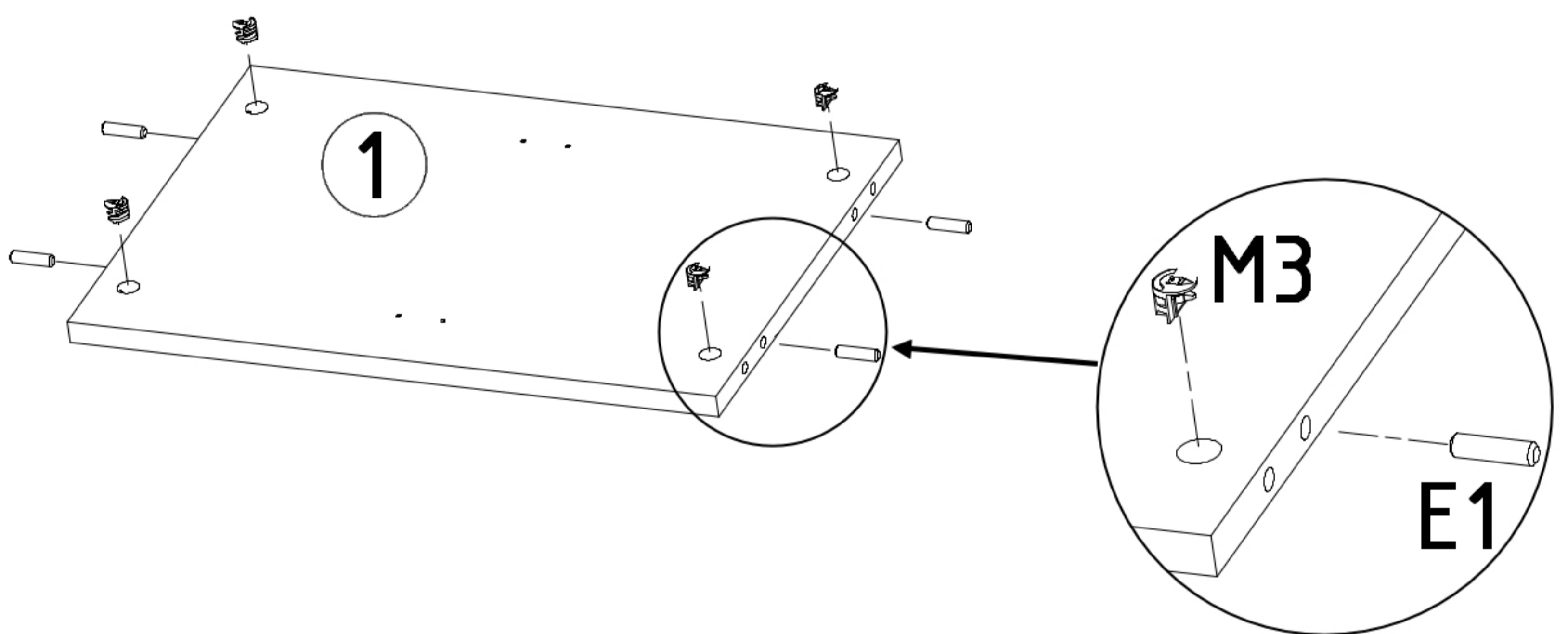



<b>1</b>	x 2
<b>2</b>	x 2
<b>3</b>	x 2
<b>4</b>	x 1
<b>5</b>	x 1
<b>6</b>	x 1

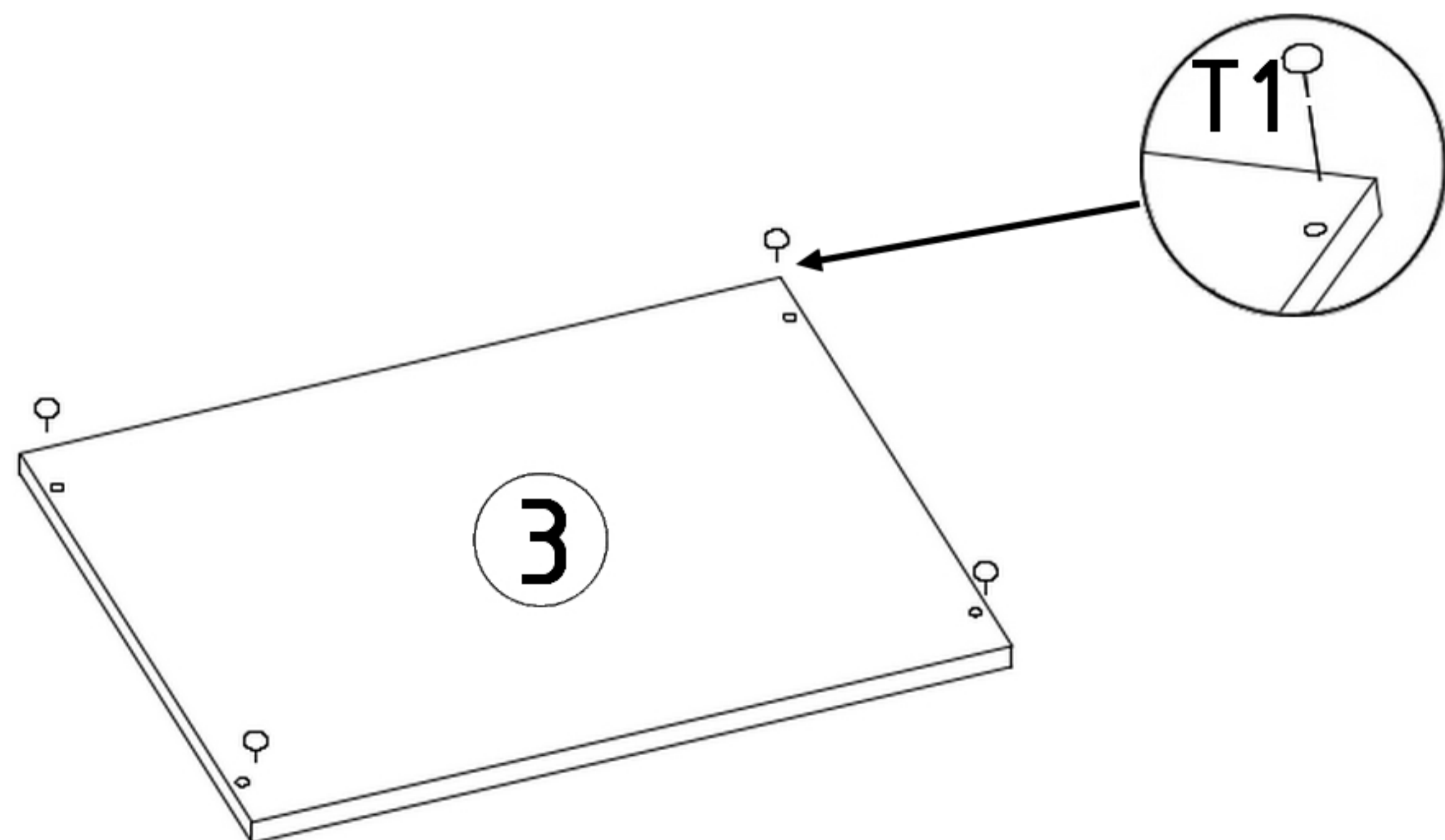
<b>M3</b>  <b>x 4</b>	<b>E1</b>  <b>8x30 x 4</b>	<b>L8</b>  <b>x 1</b>	<b>S1</b>  <b>3,5x16 x 4</b>
--	---	--	---


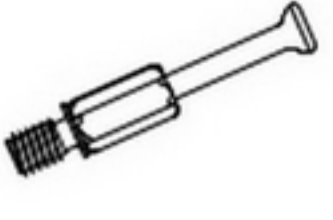


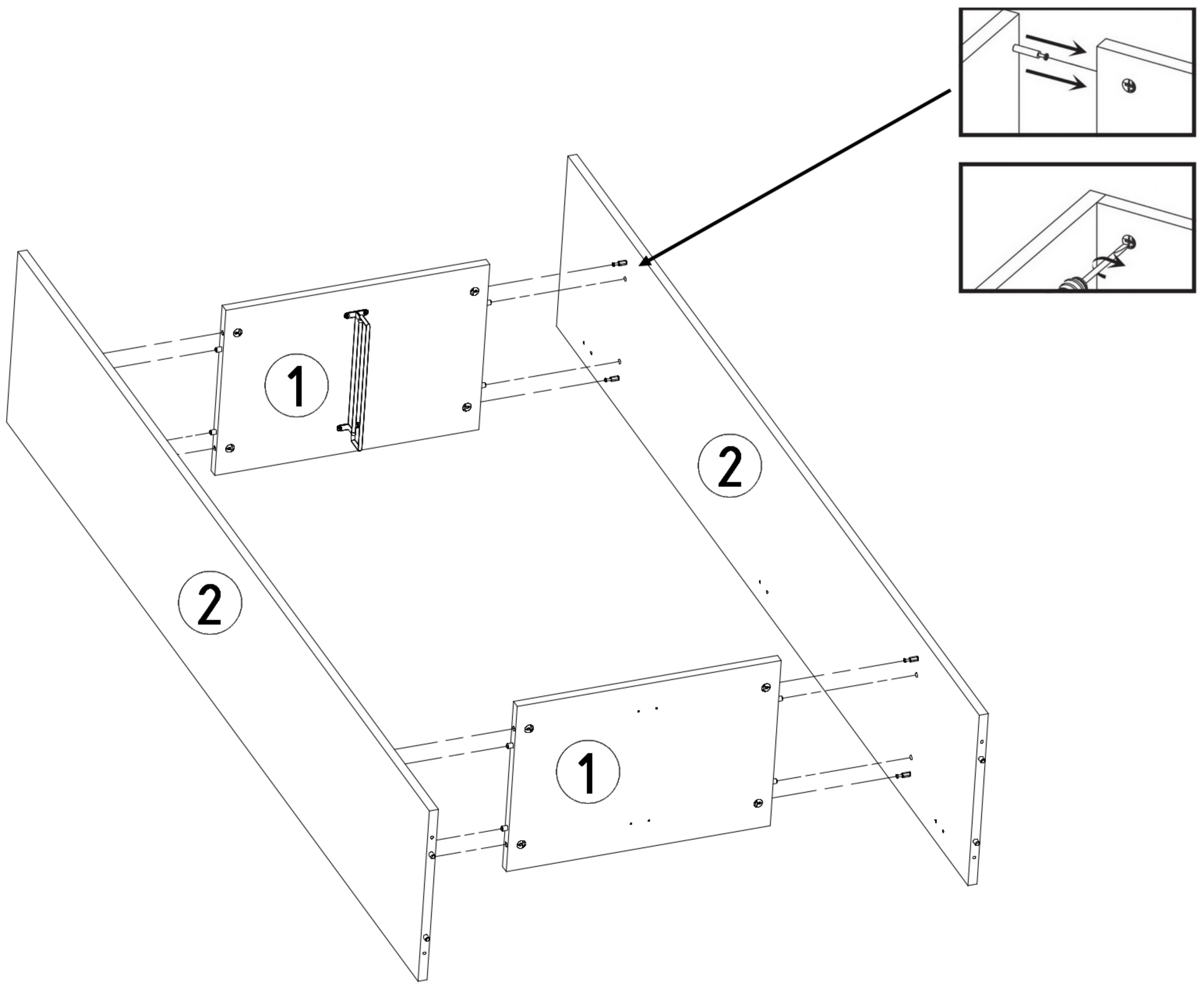
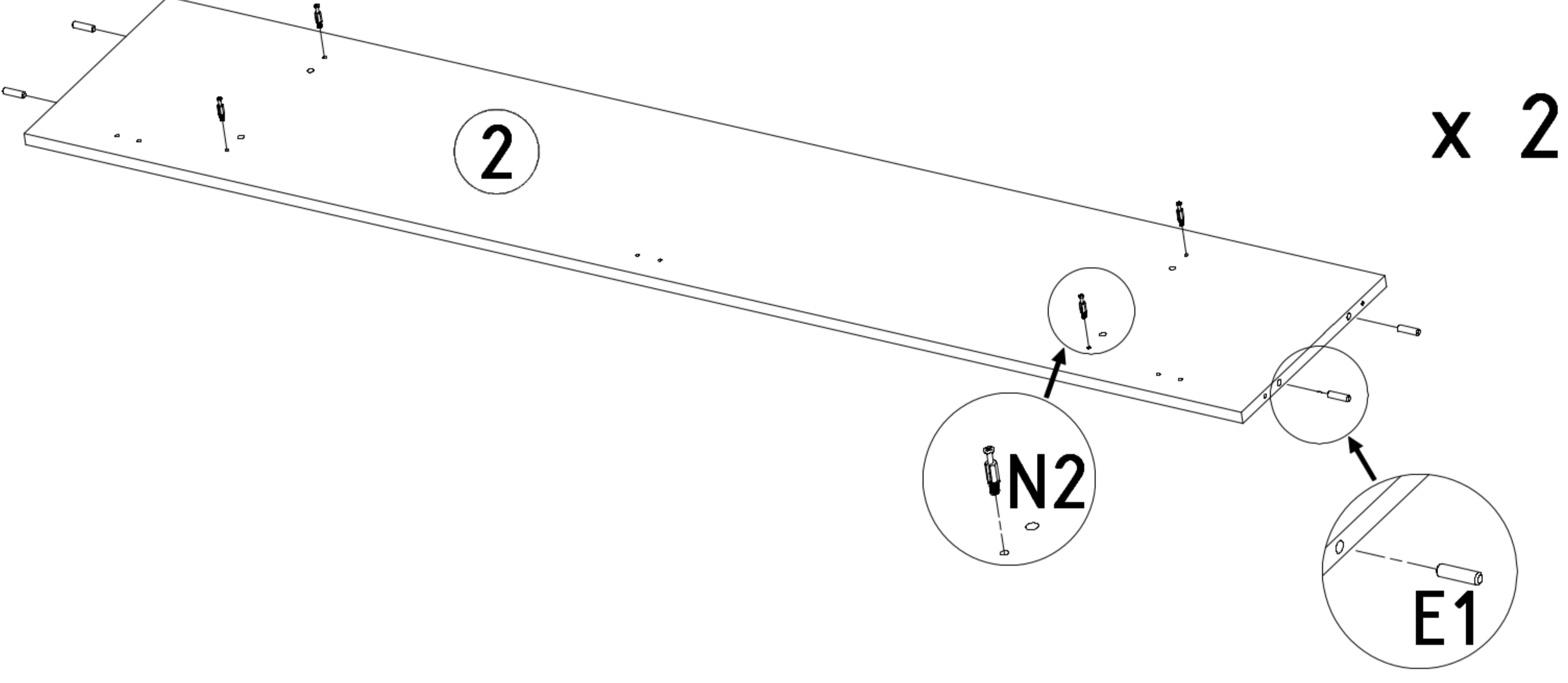
<b>M3</b>  <b>x 4</b>	<b>E1</b>  <b>8x30 x 4</b>
--	---



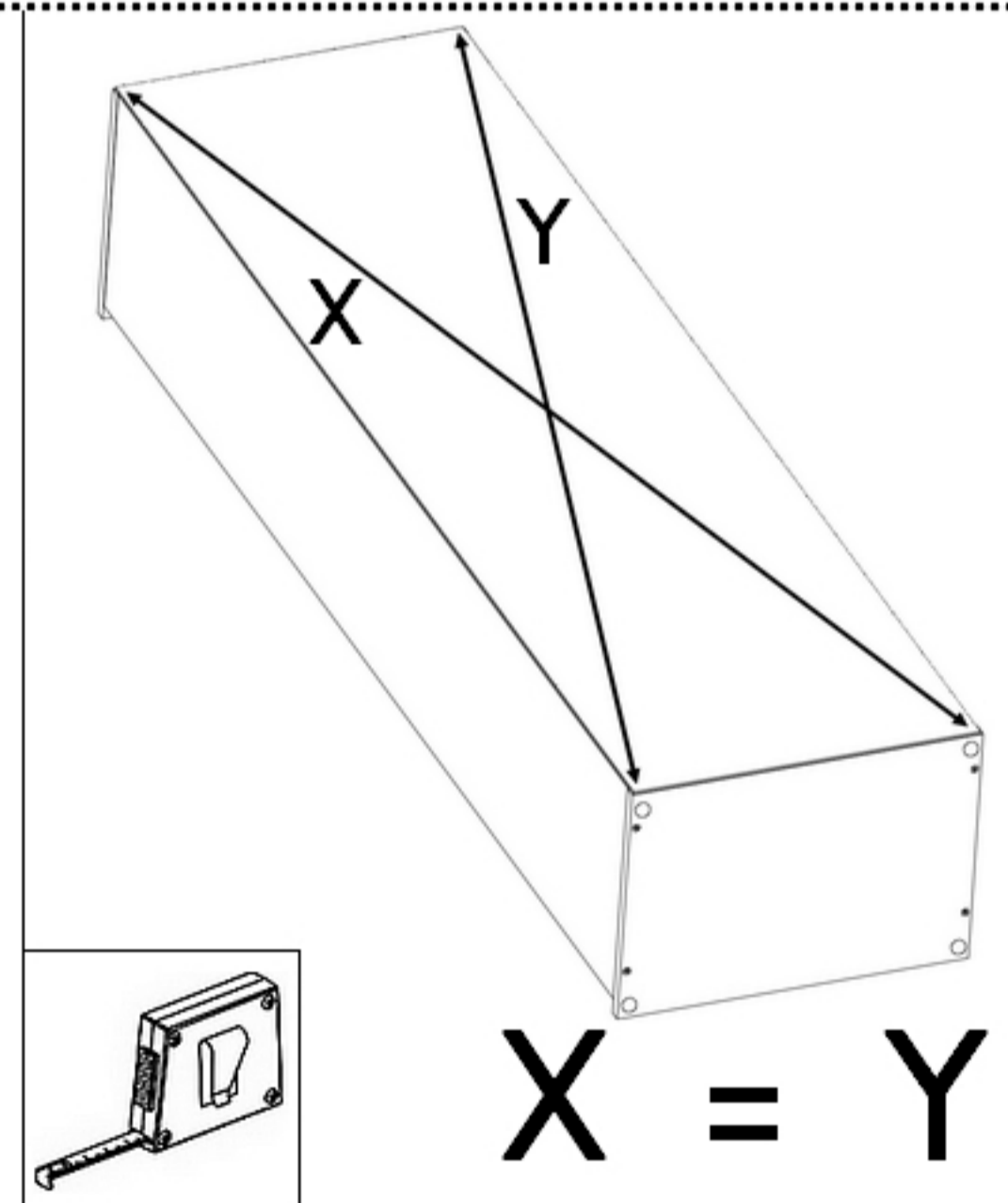
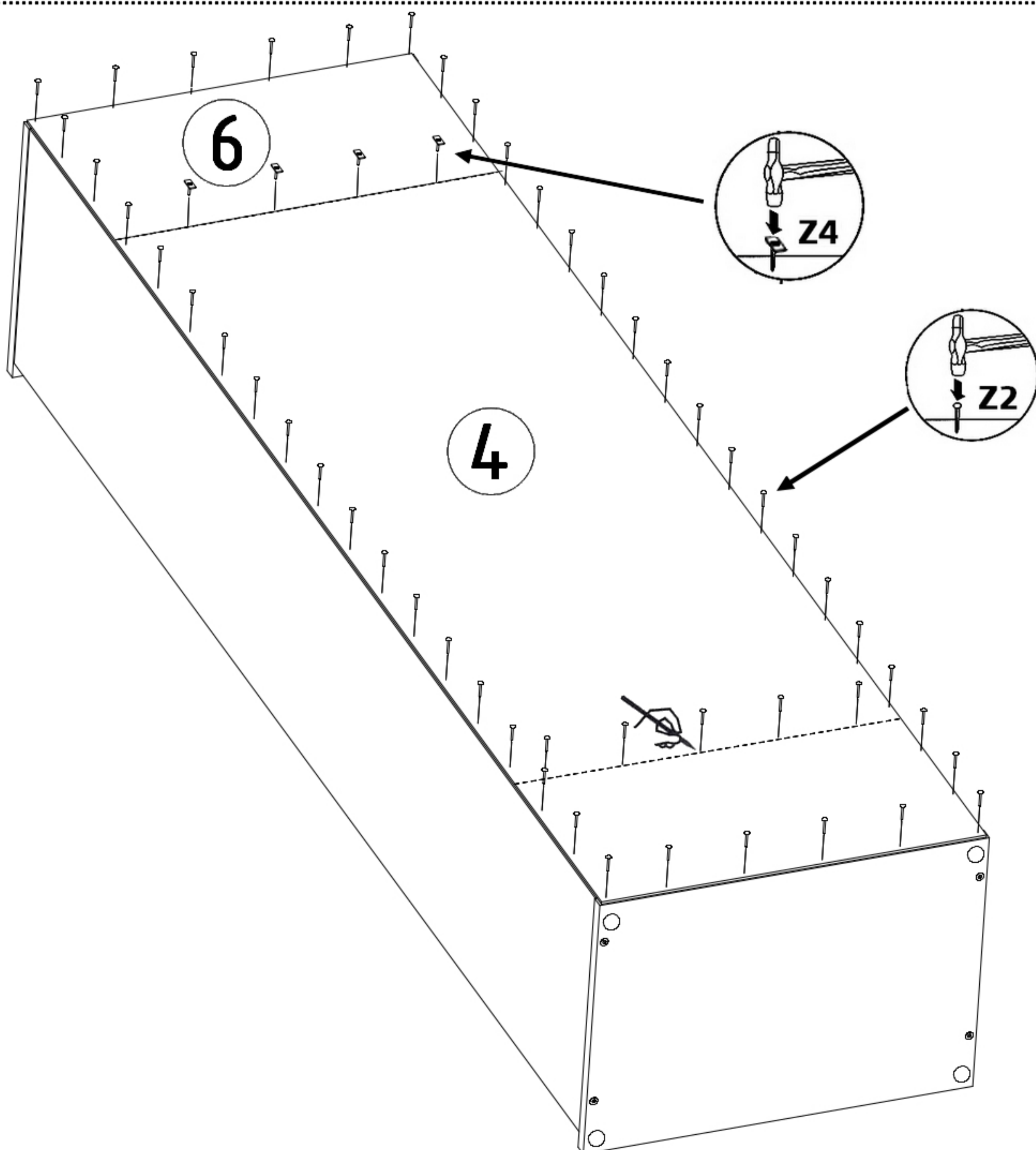
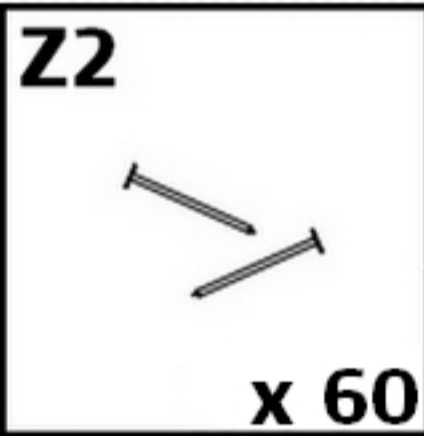
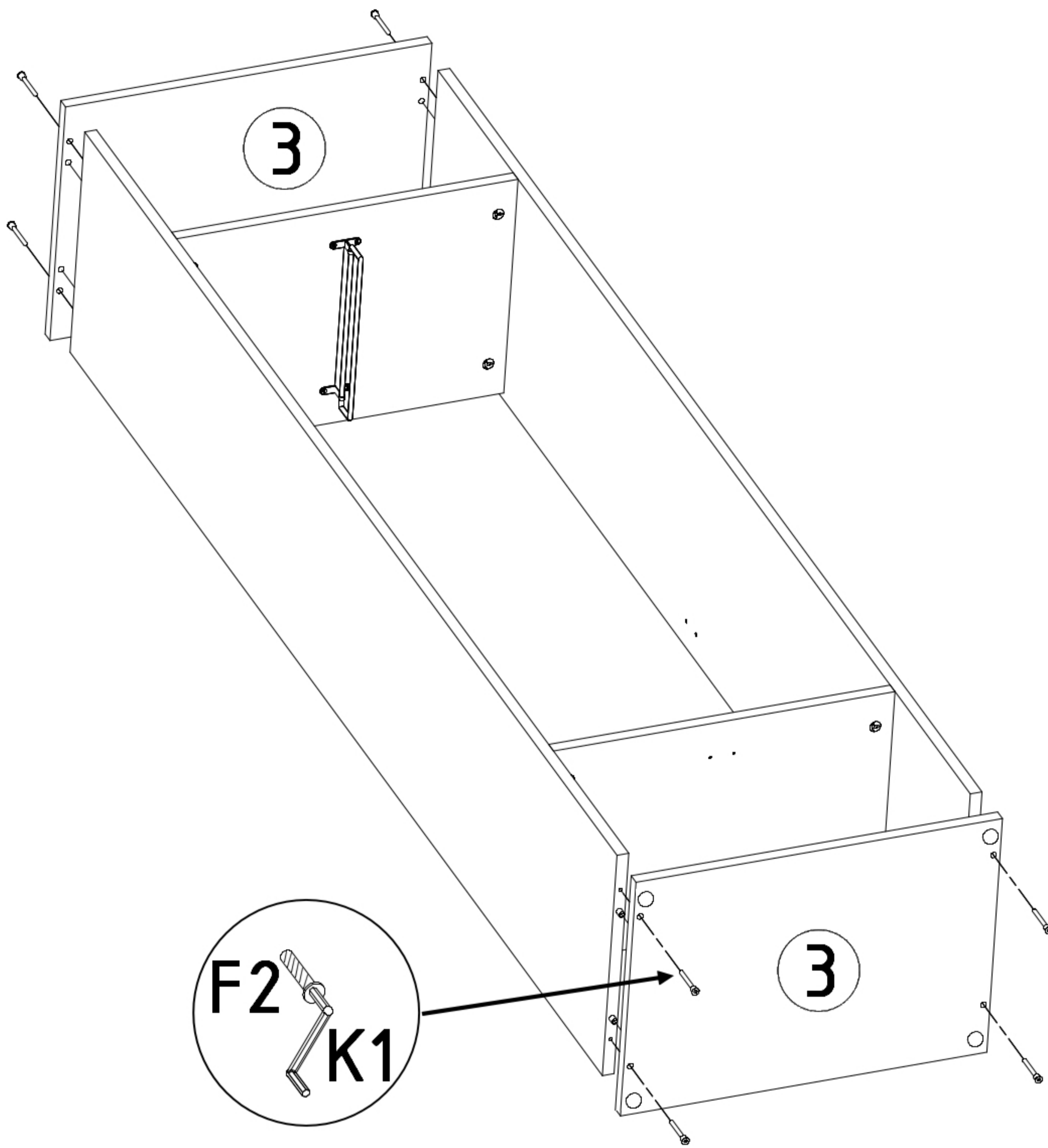
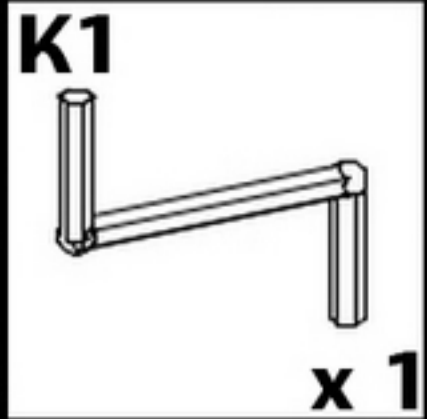
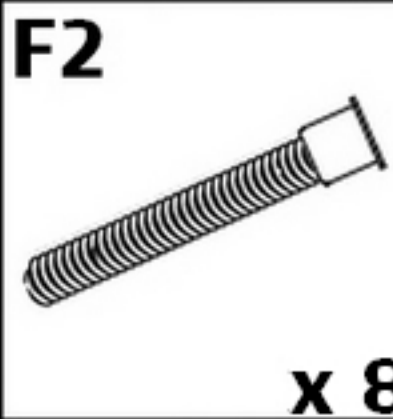
<b>T1</b>  <b>x 4</b>
---


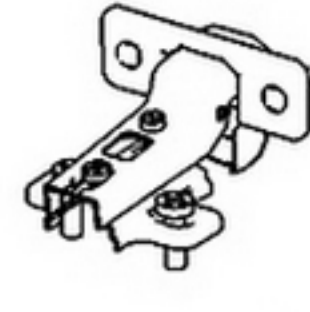
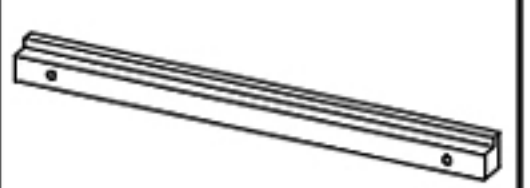



<b>E1</b>  8x30 <b>x 8</b>	<b>N2</b>  20,3 <b>x 8</b>
---	--



4



<b>S1</b>  3,5x16 x 6	<b>A0</b>  x 3	<b>U6</b>  x 1	<b>S3</b>  4x27 x 2
--	---	---	--

