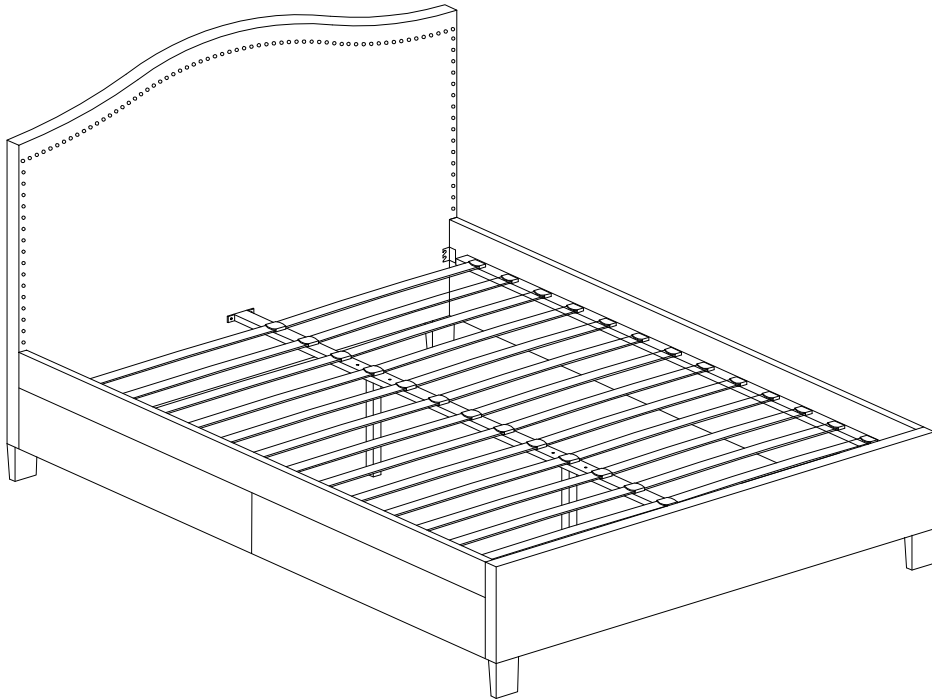
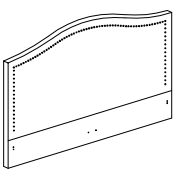
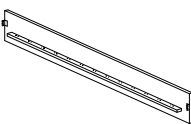
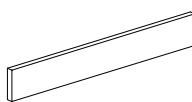
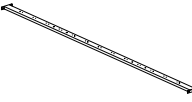
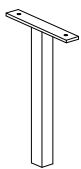



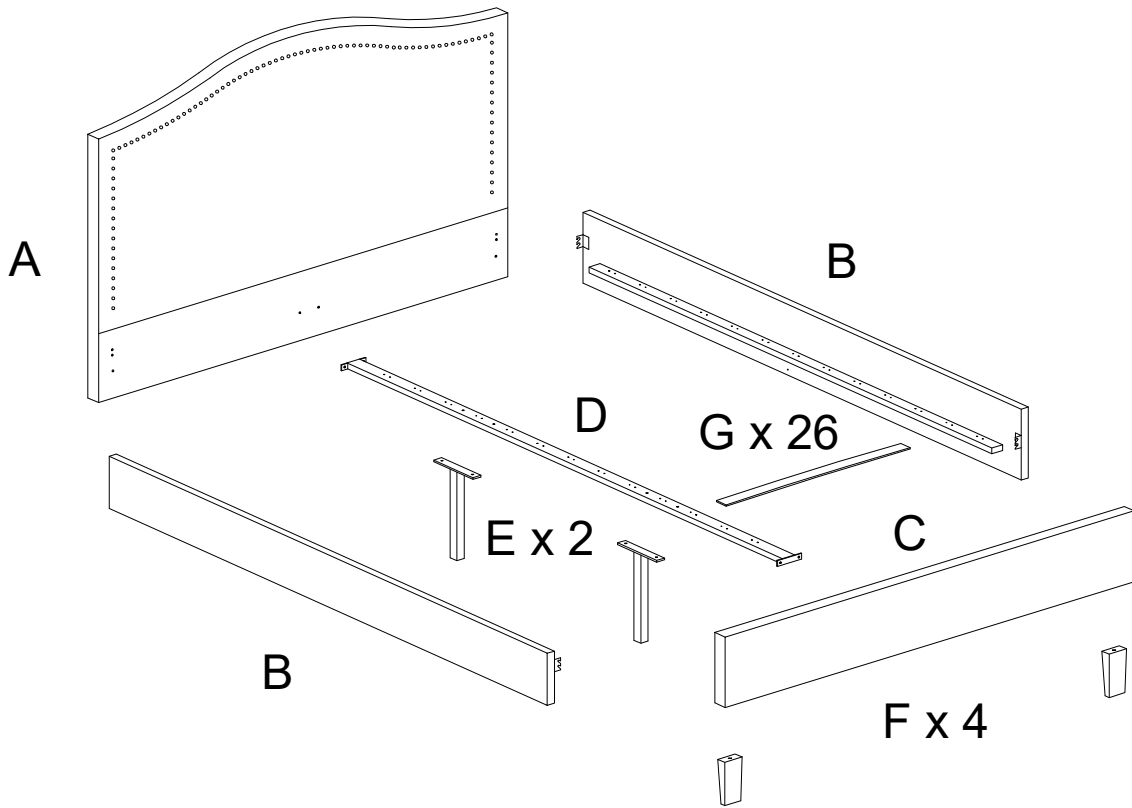
# A


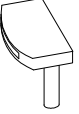
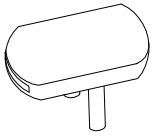
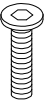
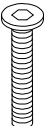
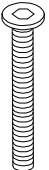
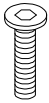
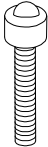
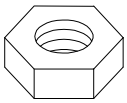
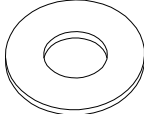
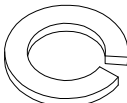
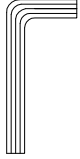
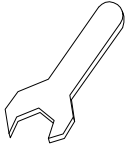
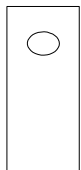


Assembly instructions for step A:

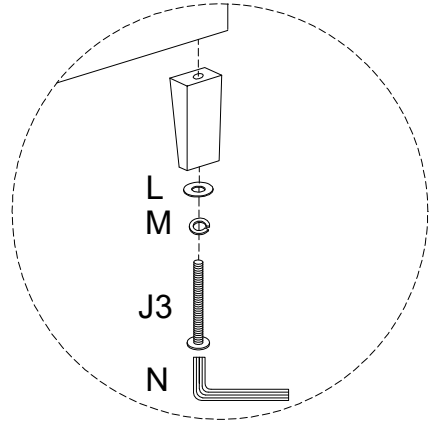
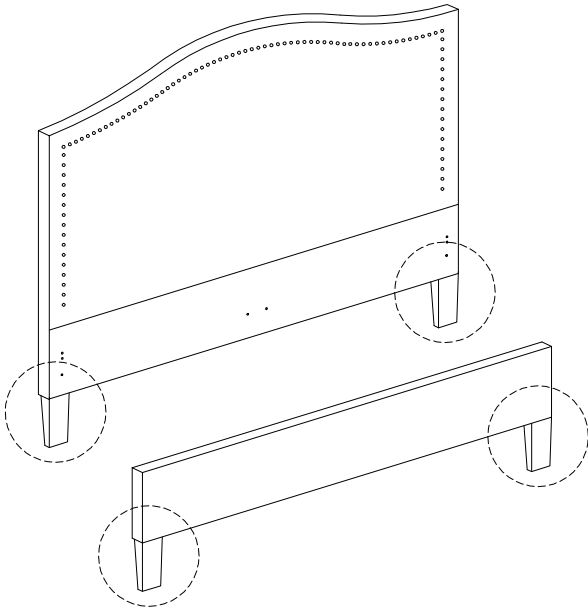
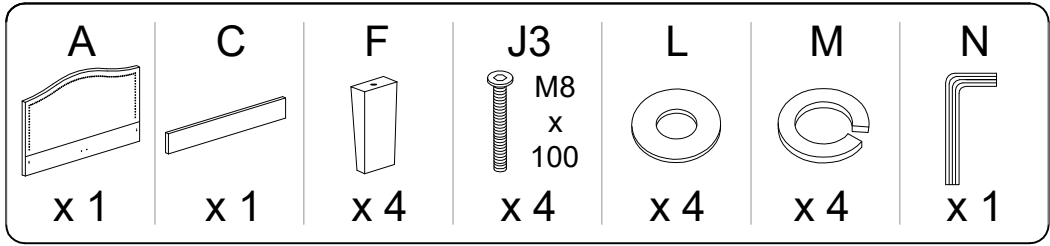
- Tools:** An icon in a circle shows an Allen key and a wrench. A power drill is shown with a diagonal line through it, indicating it should not be used.
- Warning:** A triangle with an exclamation mark indicates a warning.
- Time:** A clock icon is shown above the number **45'**, indicating the estimated assembly time.
- Personnel:** An icon of a person is shown above the number **2**, indicating that two people are required for assembly.

<b>A</b> 	<b>B</b> 	<b>C</b> 	<b>D</b> 	<b>E</b> 	<b>F</b> 
x 1	x 2	x 1	x 1	x 2	x 4

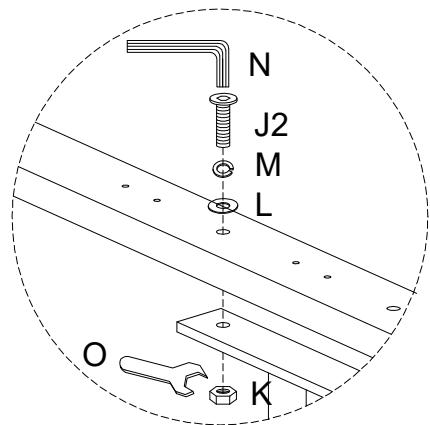
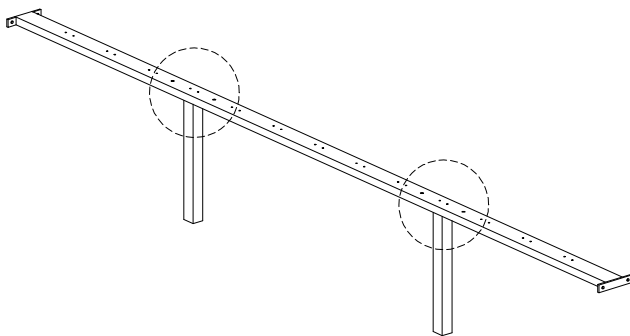
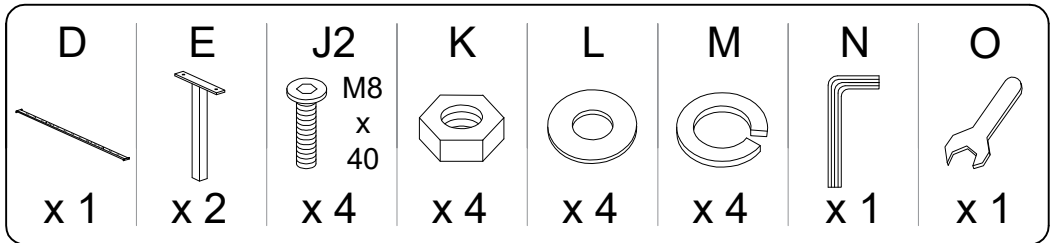


<b>G</b> 	<b>H</b> 	<b>I</b> 	<b>J1</b>  M8 x 30	<b>J2</b>  M8 x 40	<b>J3</b>  M8 x 100	<b>J4</b>  M8 x 20
x 26	x 26	x 13	x 8	x 8	x 4	x 2
<b>J5</b>  M8 x 40	<b>K</b> 	<b>L</b> 	<b>M</b> 	<b>N</b> 	<b>O</b> 	<b>P</b> 
x 4	x 4	x 22	x 22	x 1	x 1	x 2

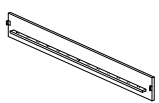
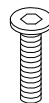
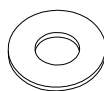
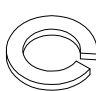
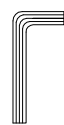
1

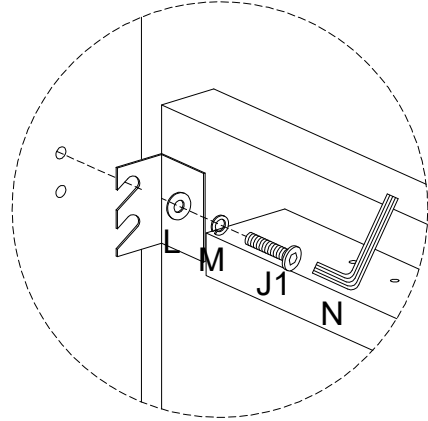
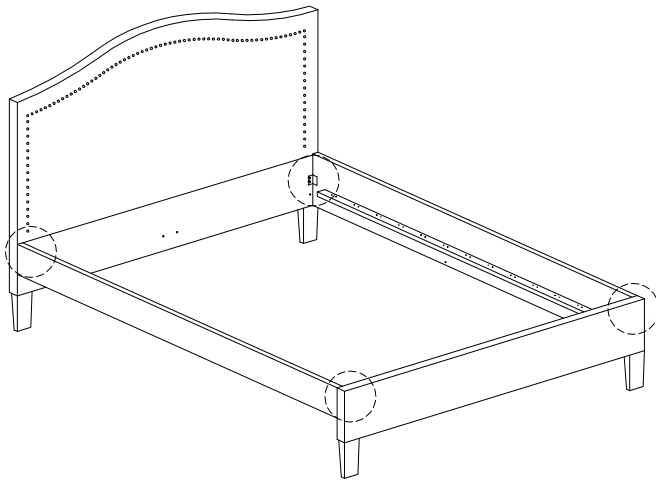


2

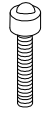


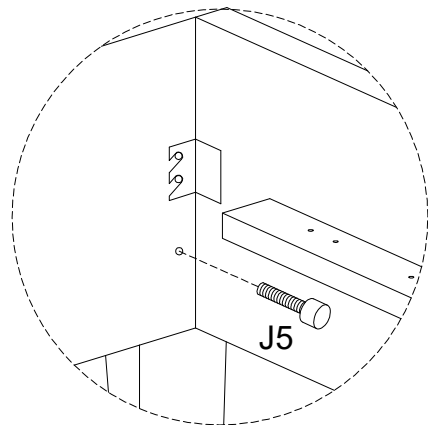
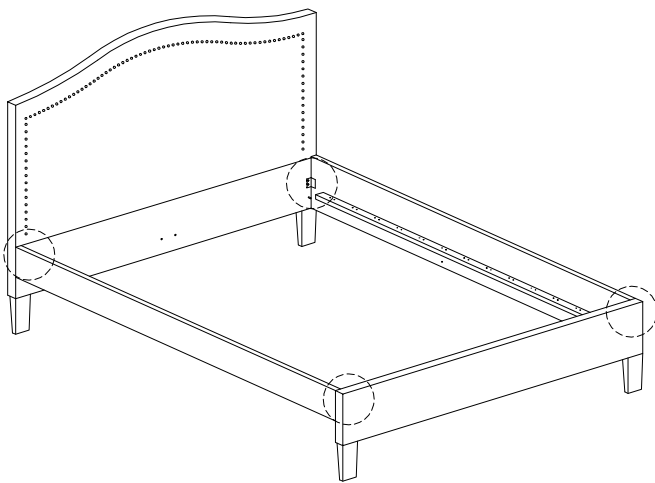
3

<b>B</b>  x 2	<b>J1</b>  M8 x 30 x 8	<b>L</b>  x 8	<b>M</b>  x 8	<b>N</b>  x 1
--	--	--	--	--


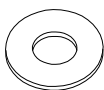

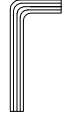
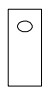


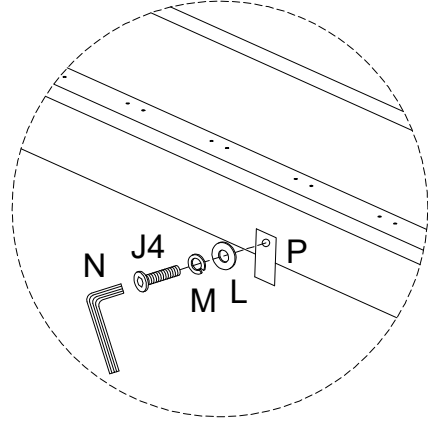
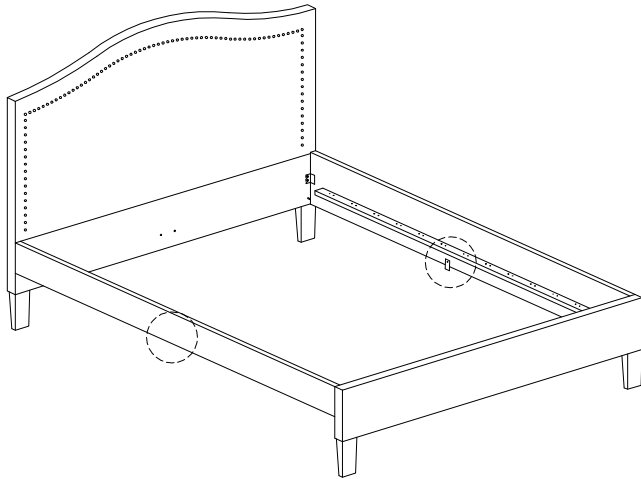
4

<b>J5</b>  M8 x 30 x 4
--

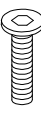
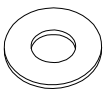
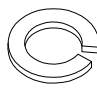



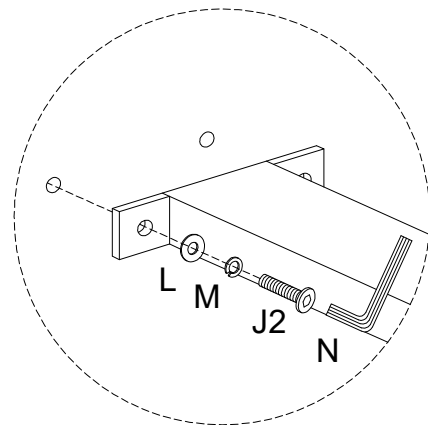
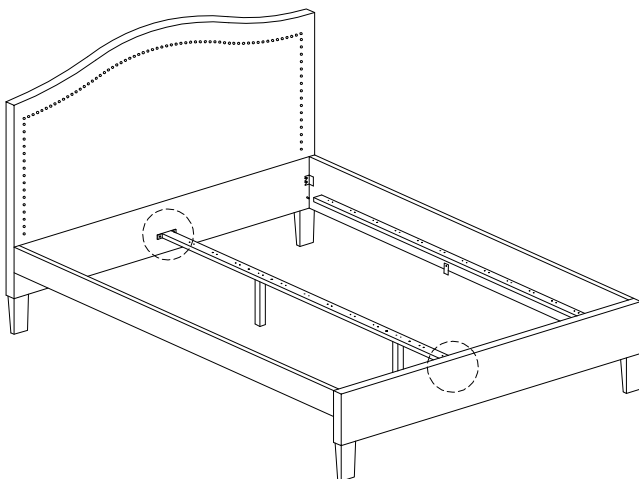
5

<b>J4</b>  M8 x 20 x 2	<b>L</b>  x 2	<b>M</b>  x 2	<b>N</b>  x 1	<b>P</b>  x 2
---	--	--	--	--

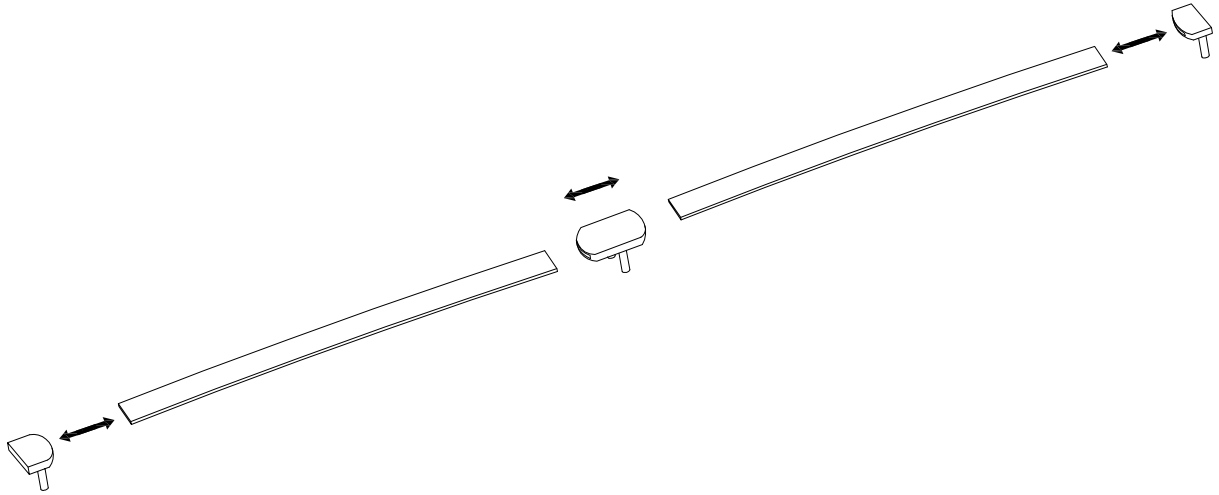
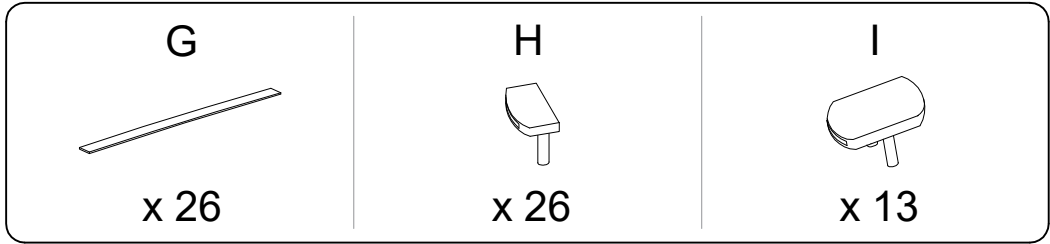


4

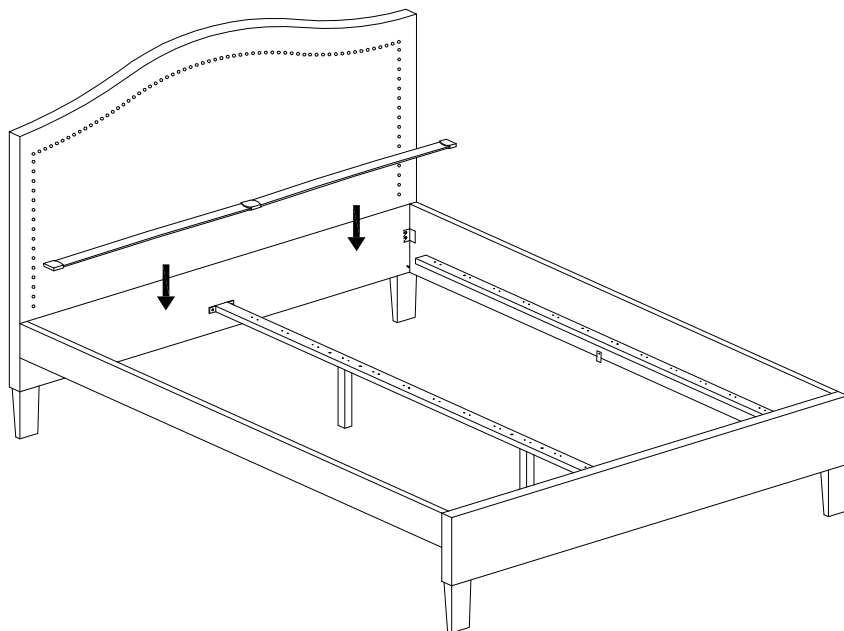
<b>J2</b>  M8 x 30 x 4	<b>L</b>  x 4	<b>M</b>  x 4	<b>N</b>  x 1
---	--	---	--



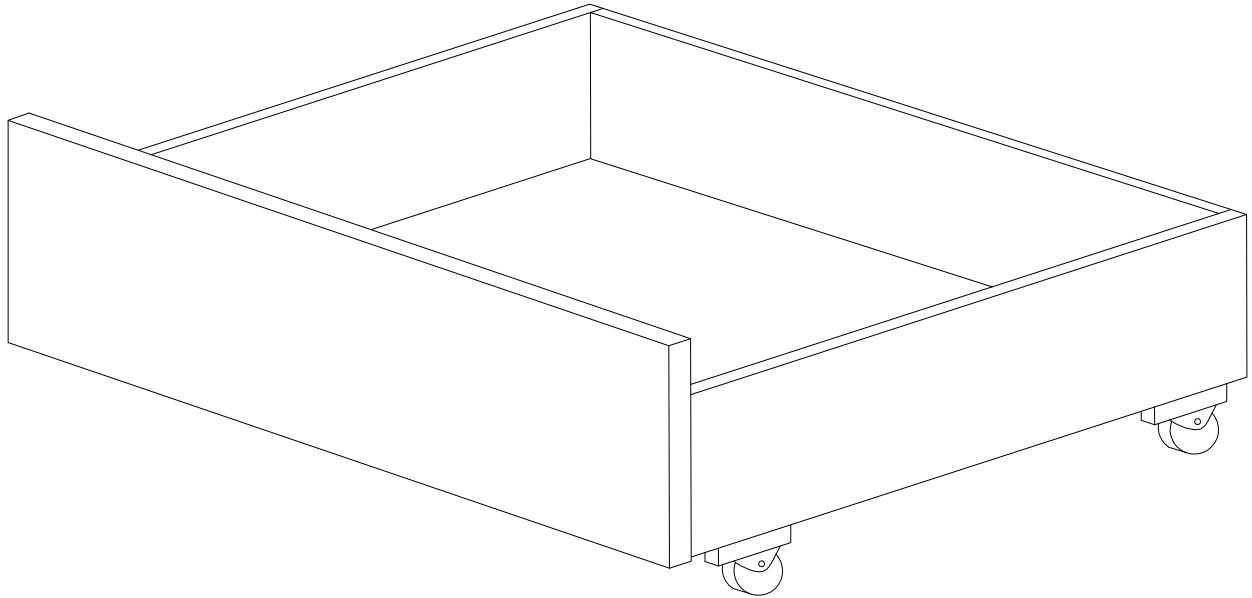
5

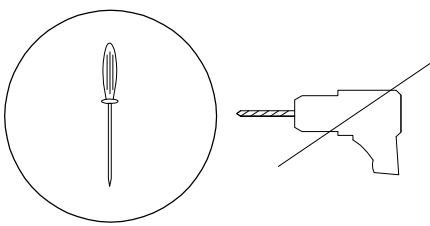
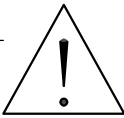
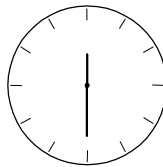
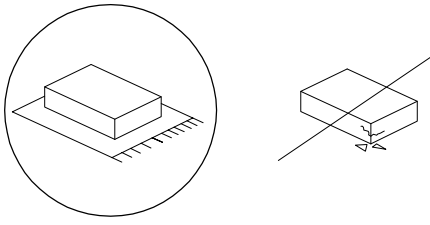
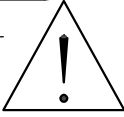
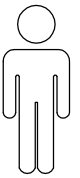


6

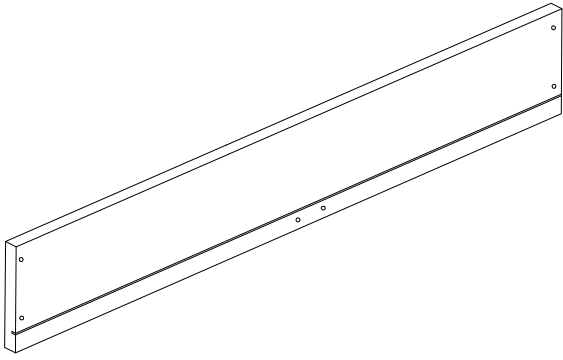


# B x 4

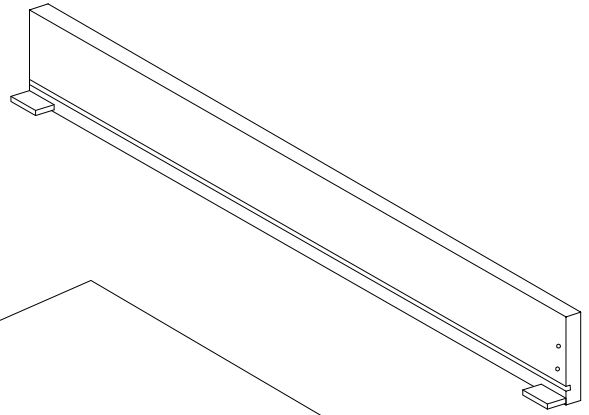


		
	<p>30'</p>	
		
		<p>2</p>

1



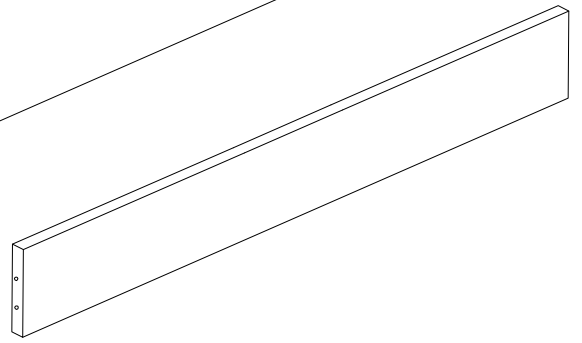
3



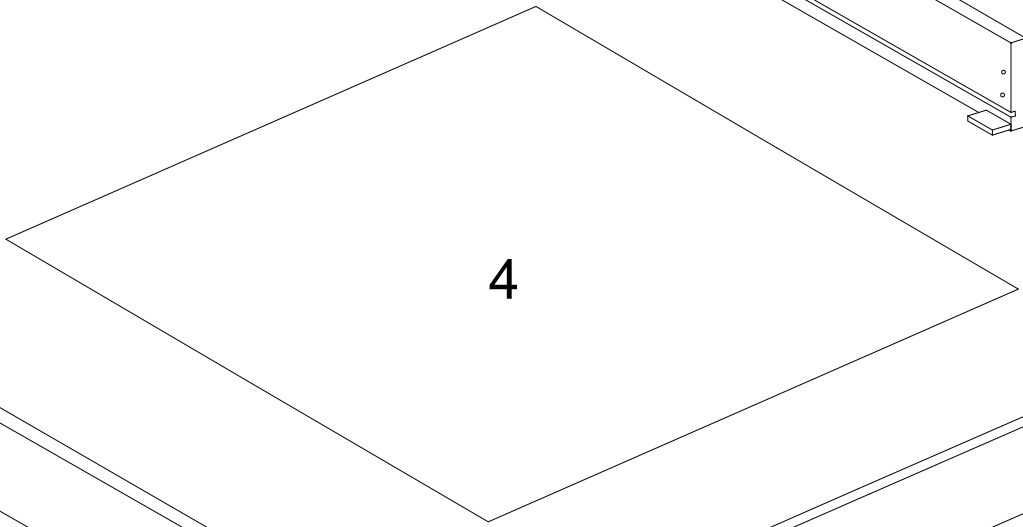
2



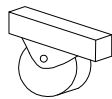
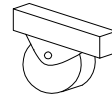
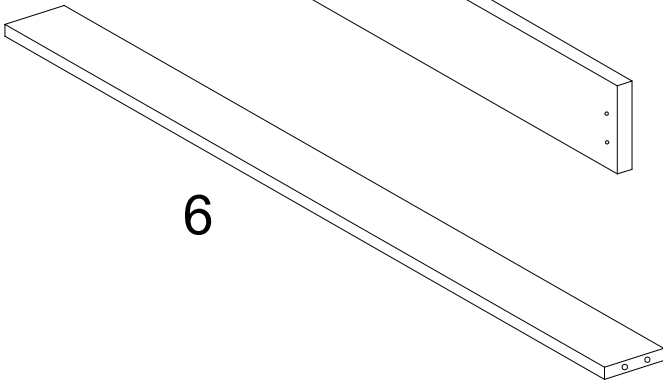
5



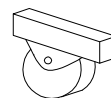
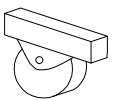
4



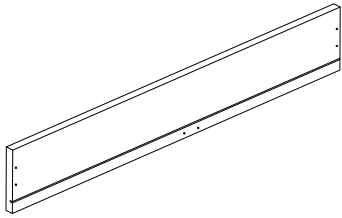
6



B x 4

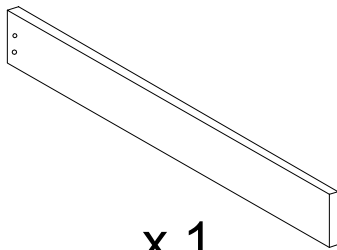


1



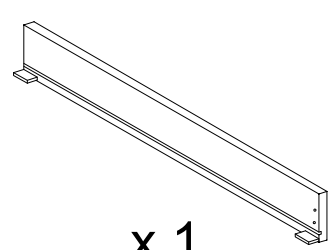
x 1

2



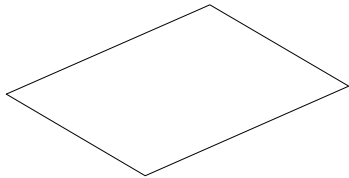
x 1

3



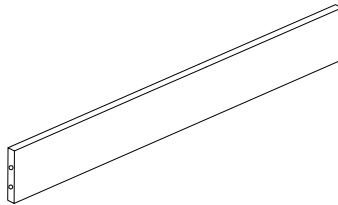
x 1

4



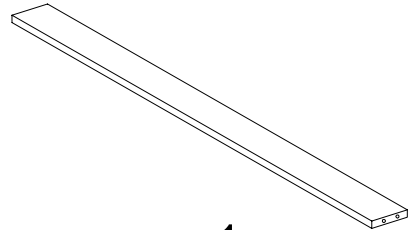
x 1

5



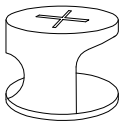
x 1

6



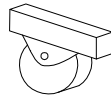
x 1

A



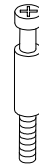
x 8

B



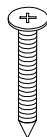
x 4

C



x 8

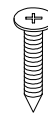
D



M4  
x  
30

x 4

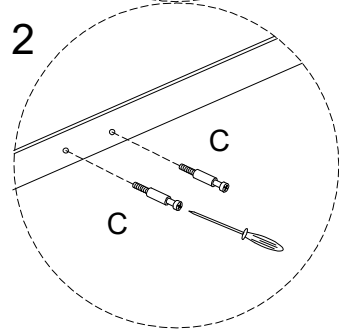
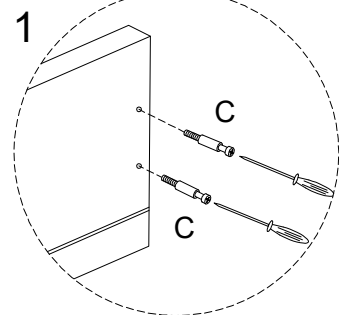
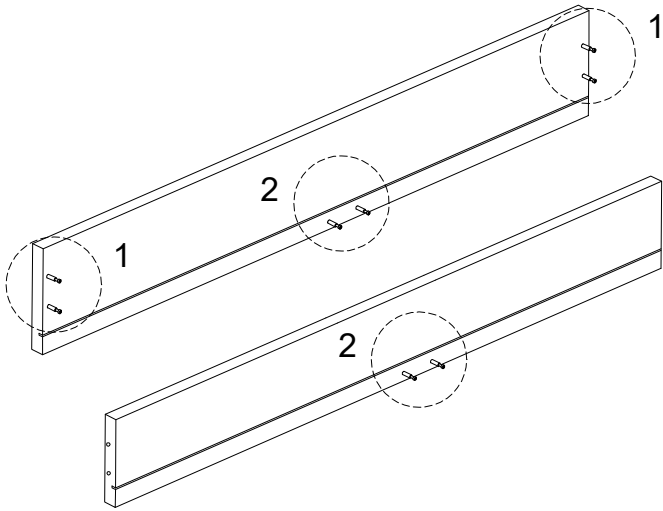
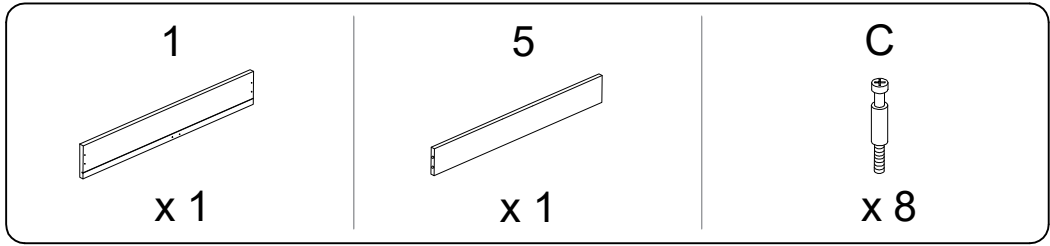
E



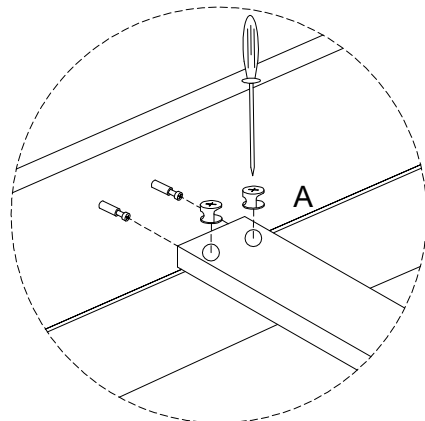
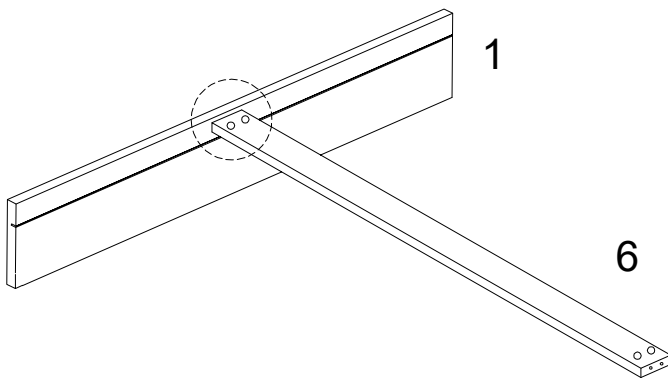
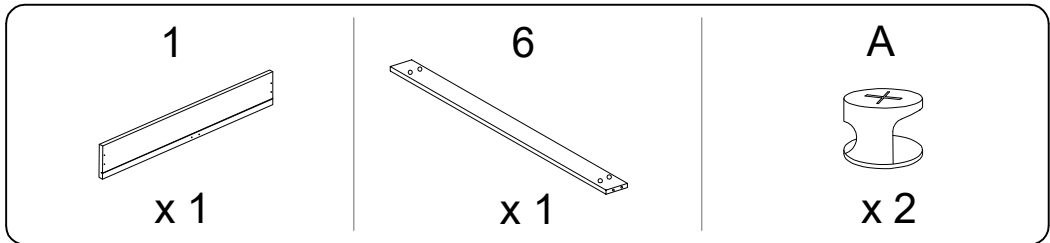
M4  
x  
15

x 16

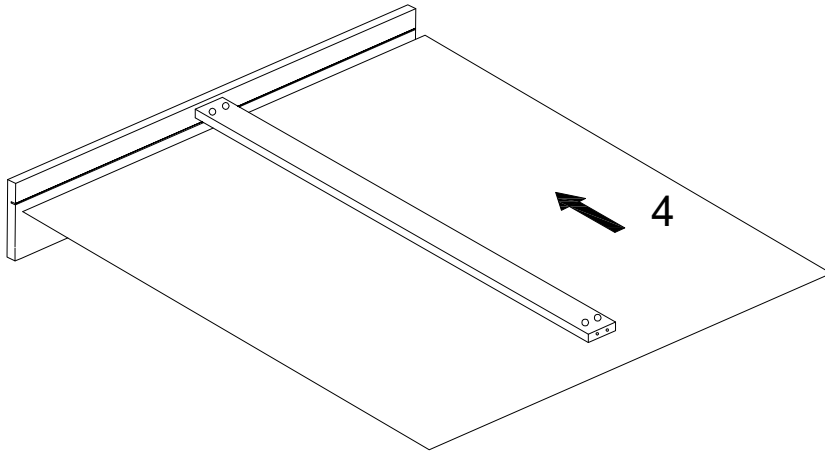
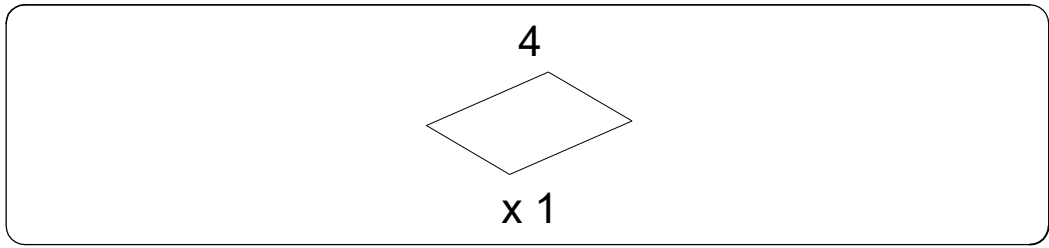
1



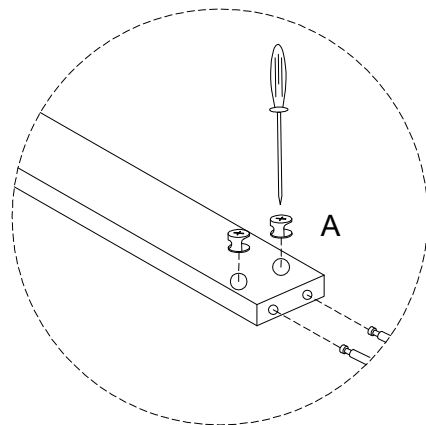
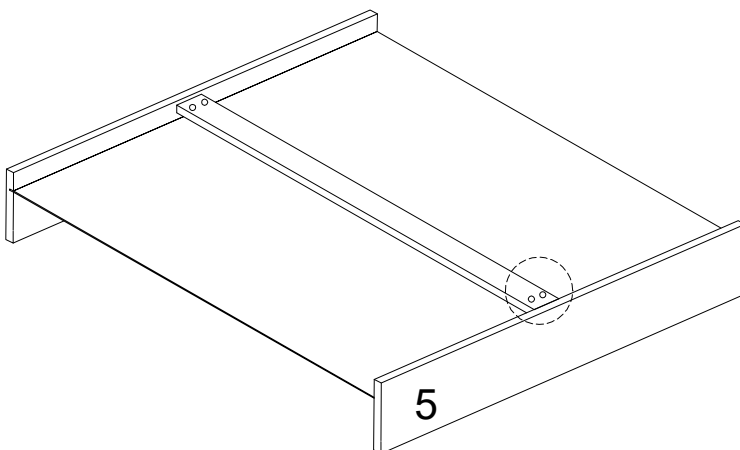
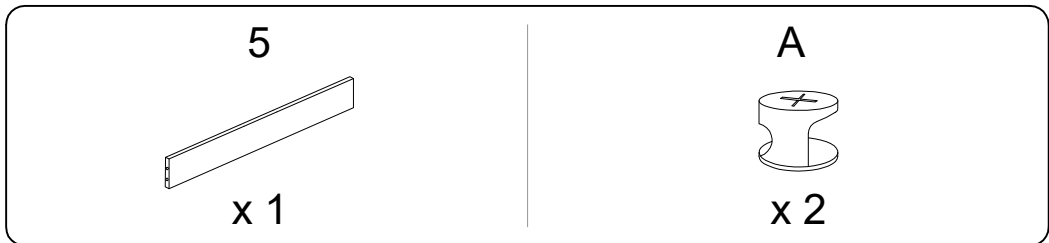
2



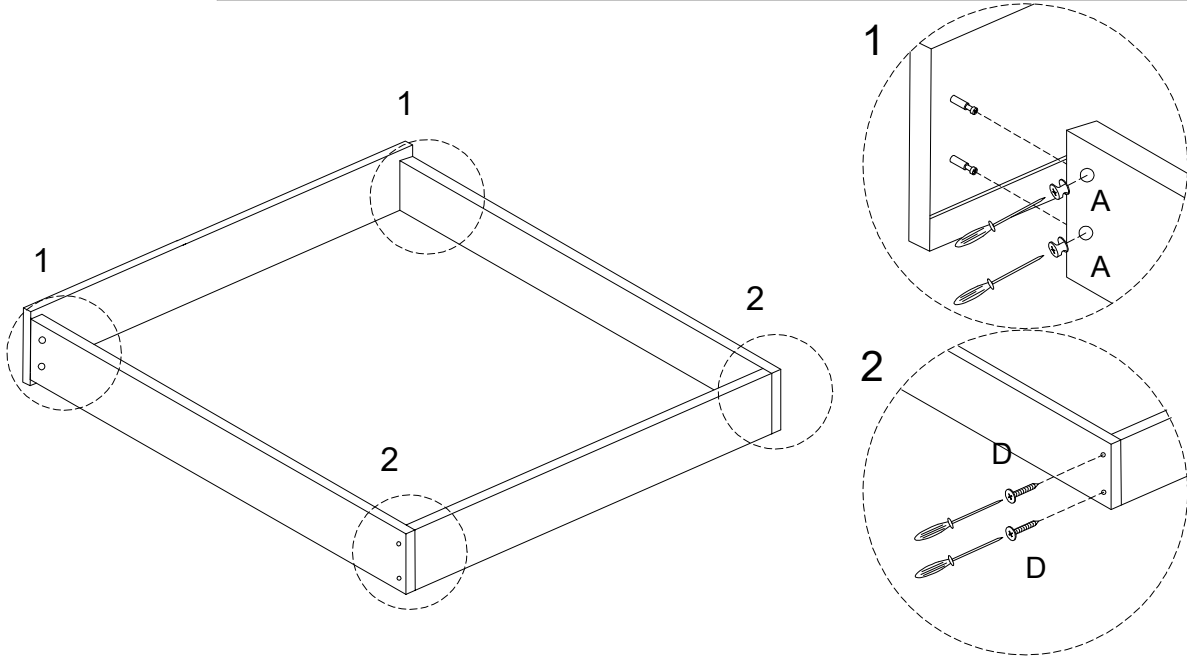
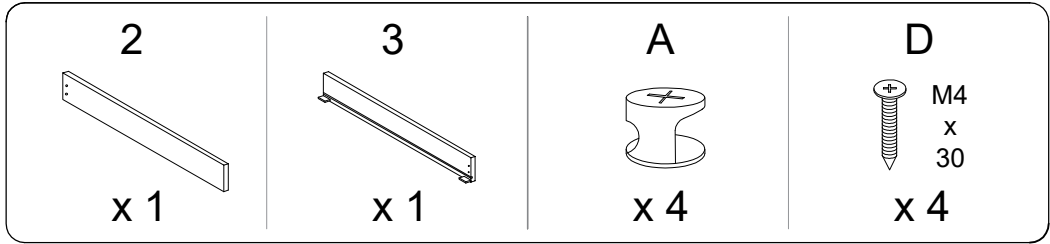
3



4



5



6

