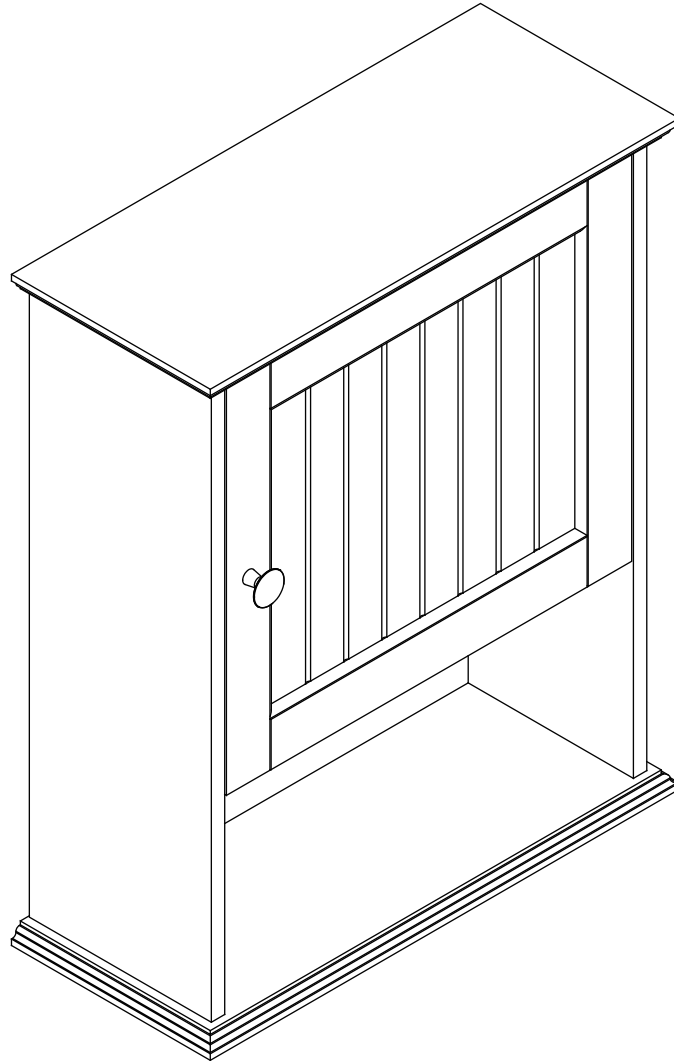


# Assembly Instruction

## Single Door Wall Cabinet

---



THIS INSTRUCTION BOOKLET CONTAINS **IMPORTANT** SAFETY INFORMATION. PLEASE READ AND KEEP FOR FUTURE REFERENCE.

---



## **WARNING**

- Unit can tip over causing severe injury or death.
- Anchor unit to stud in wall(if instructed to).
- Do Not allow children to climb on unit.
- Put heavy items on lower shelves or drawers.
- Keep any packaging materials away from children
- these materials are a potential source of danger,e.g.suffocation.

## **Do Not Return This Product!**

Please check contents before assembly.If any item are missing or damaged,do not take the unit back to the store.

# IMPORTANT SAFEGUARDS



Read these instructions carefully and retain them for future use. If this product is passed to a third party, then these instructions must be included.

When using the product, basic safety precautions should always be followed to reduce the risk of injury including the following:

## **! WARNING**

**SERIOUS OR FATAL INJURIES CAN OCCUR FROM FURNITURE TIP-OVER.  
TO HELP PREVENT TIP-OVER:**

- Please read instructions completely before assembling. Assemble on a soft, smooth area. Adult assembly required.
- Important: when drilling into walls always check that there are no hidden wires or pipes etc.
- Make sure that the screw and wall plugs used are suitable for supporting your unit. Consult a qualified professional if you are unsure.
- Failure of the product due to the use of incorrect fixing is the responsibility of the installer.
- Always use tip over restraints and/or wall anchors to secure furniture to the wall.
- Place heaviest items in the lowest drawers/bins or shelves.
- Do not set TV's or other heavy objects on the top of this product.
- Never allow children to climb or hang on to the drawers/bins, doors or shelves of furniture.
- Never open more than one drawer at a time or defeat or remove any drawer interlock system.

## **! DANGER**

**CHOKING HAZARD – SMALL PARTS**

Please make sure installation parts stay away from children of all ages!

## Cleaning and Maintenance

- Treat surface with care. Surface is resistant to scratches but is not scratch resistant.
- Clean surfaces with a dry or damp soft cloth.
- Do not use abrasive cleaners.
- Hardware may loosen over time. Periodically check that all connections are right.

## Maximum recommended distributed load

This unit has been designed to support the maximum loads shown.

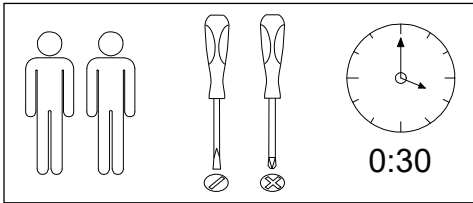
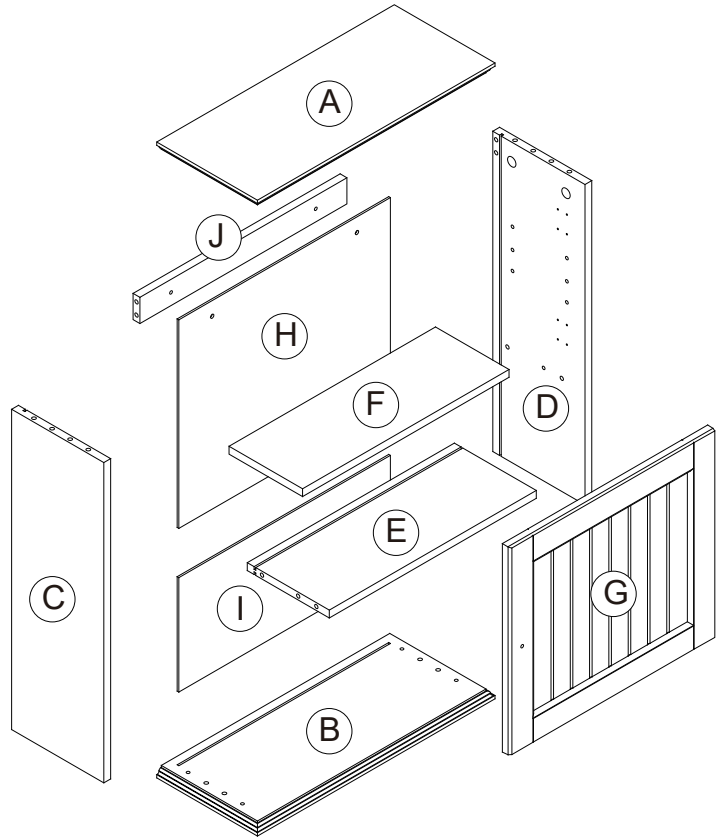
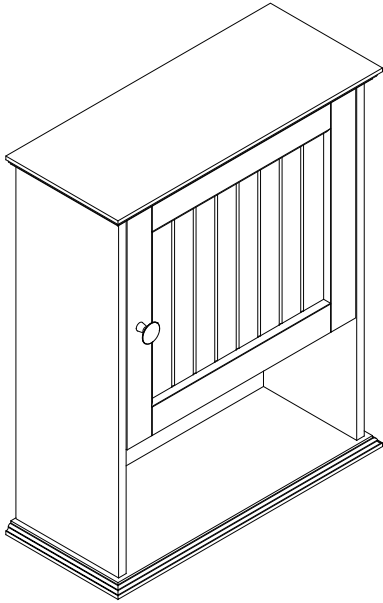
Exceeding these load limits could cause sagging, instability, product collapse, and/or serious injury.

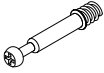
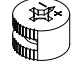
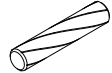

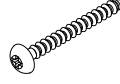



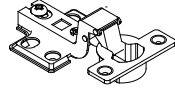
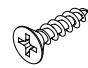


- |                |                   |
|----------------|-------------------|
| Top shelf:     | 10 lbs (4.55 kg)  |
| Other shelves: | 25 lbs (11.36 kg) |

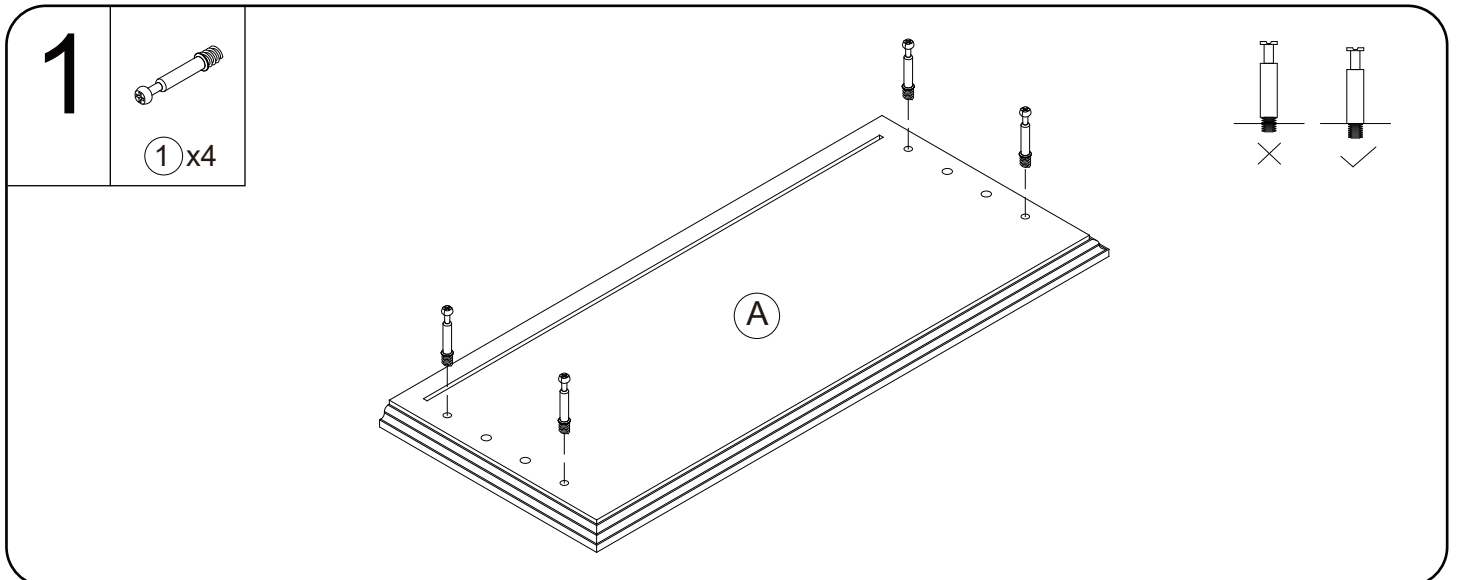
# PARTS LIST

## Contents:

Before getting started, ensure the package contains the following components:



						
① 6pcs	② 6pcs	③ 16pcs	④ 4pcs	⑤ 2pcs	⑥ 4pcs	⑦ 2pcs
						
M4x18mm		Ø3.5x12mm				
⑧ 1pc	⑨ 2pcs	⑩ 12pcs	⑪ 1pc	⑫ 2pcs		

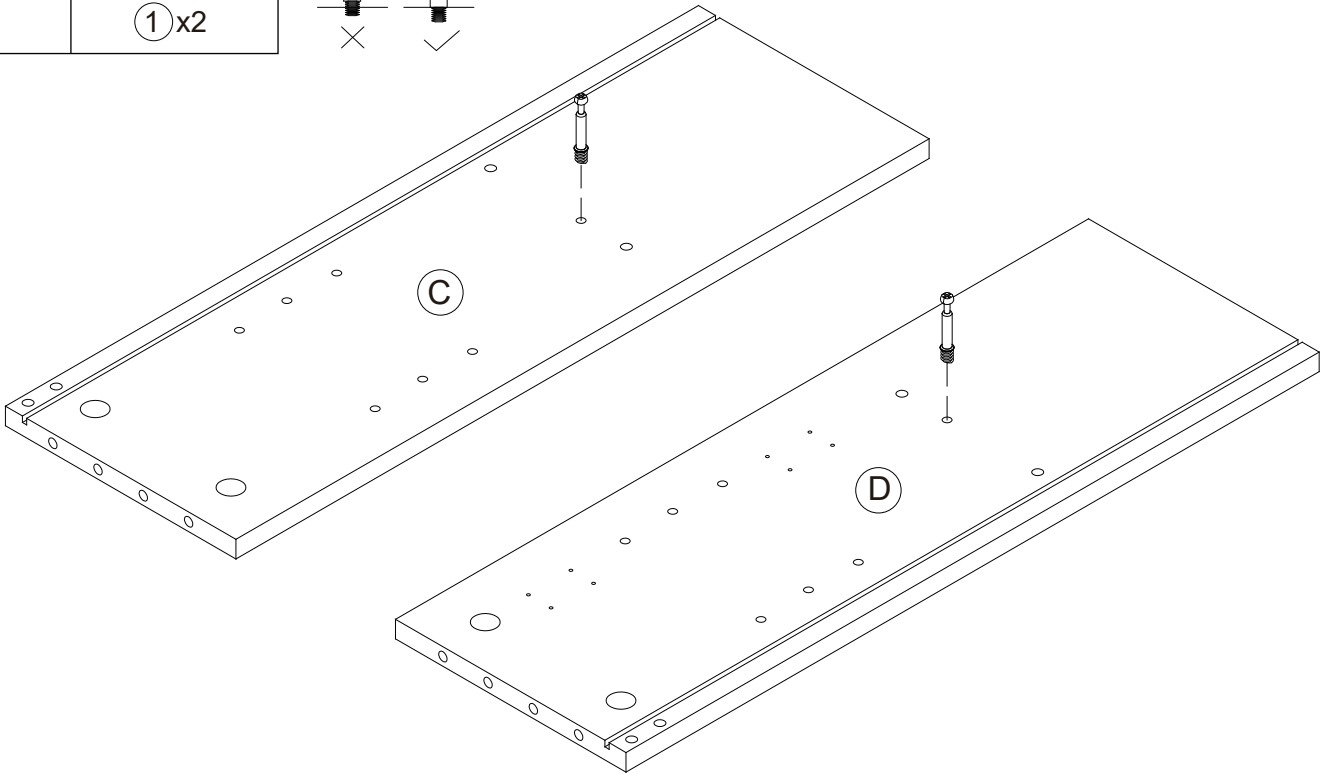
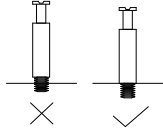


# Assembly Instruction

2



① x2



3



⑧ x1



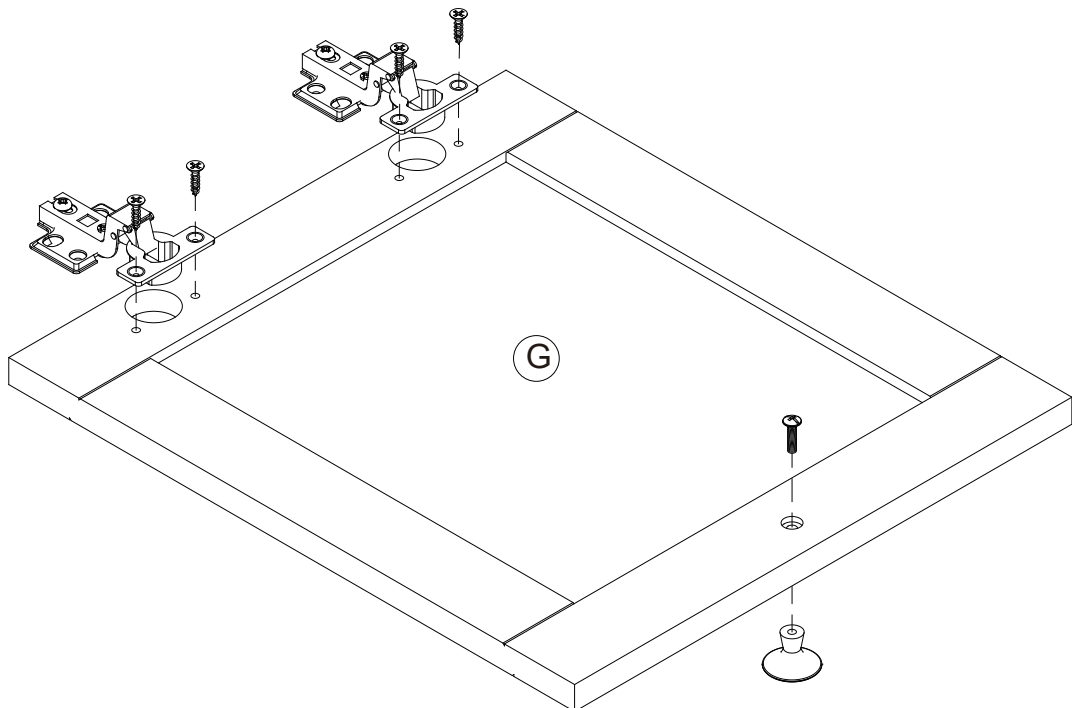
⑨ x2



⑩ x4



⑪ x1



# Assembly Instruction

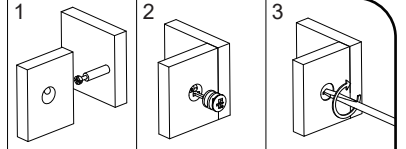
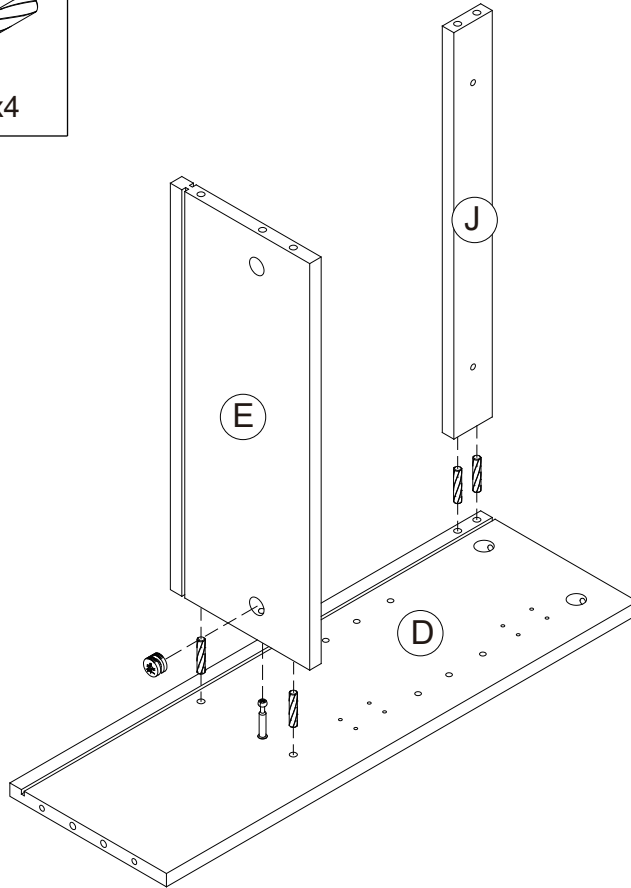
4



② x1



③ x4



Cam Lock Fastening System

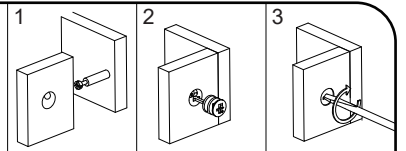
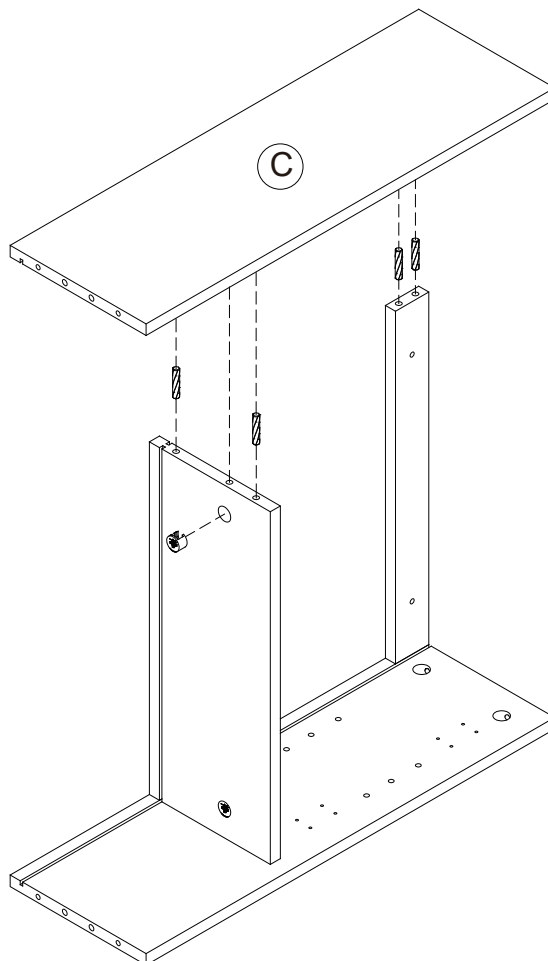
5



② x1



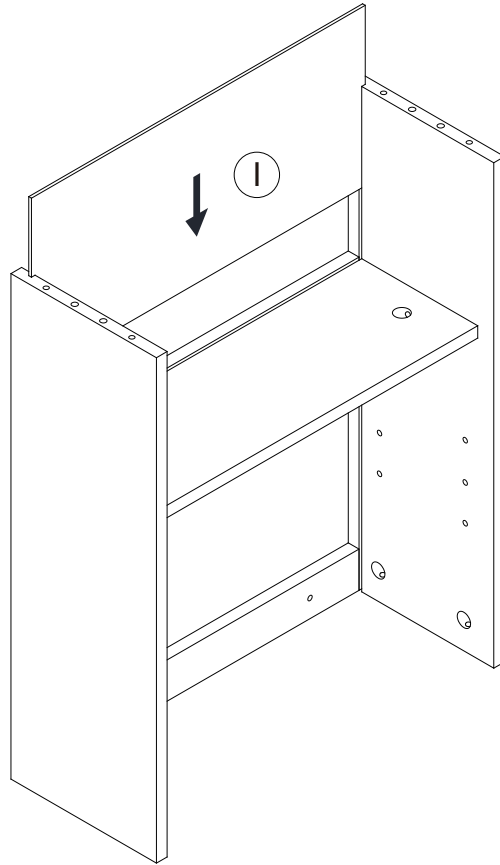
③ x4



Cam Lock Fastening System

# Assembly Instruction

6



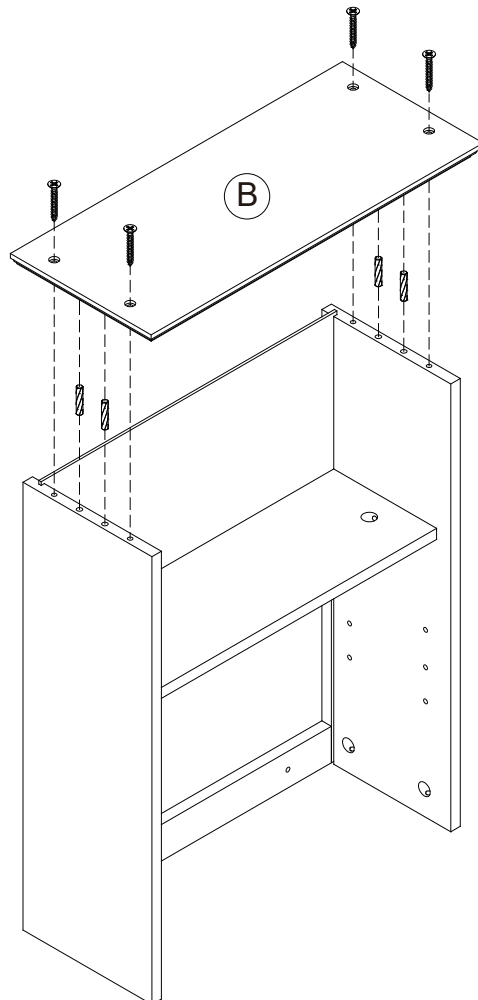
7



③ x4

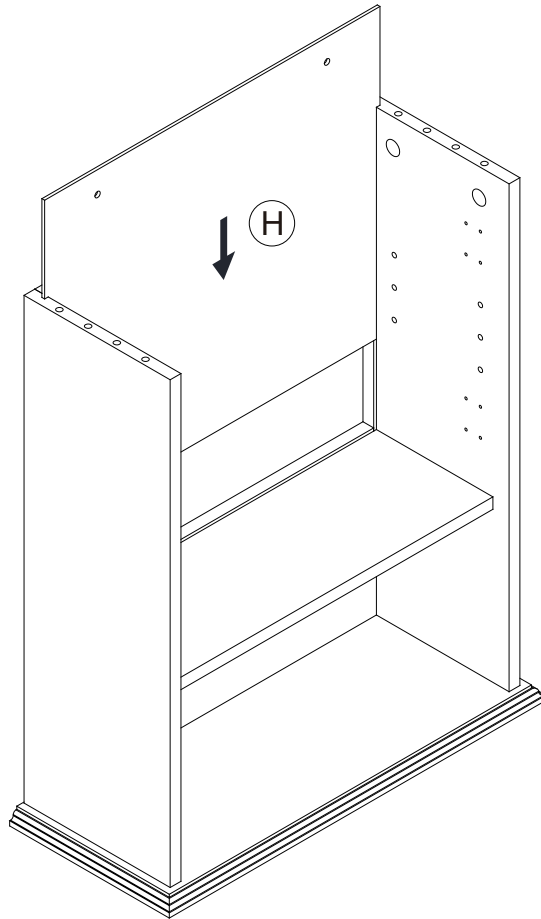


④ x4



# Assembly Instruction

8



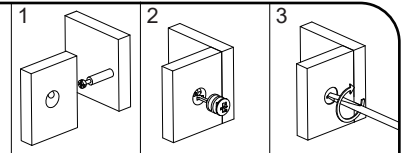
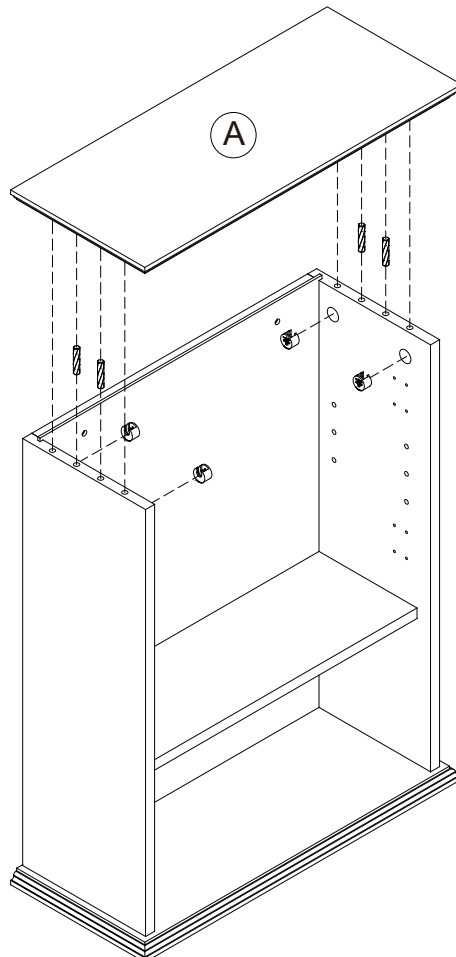
9



② x4



③ x4



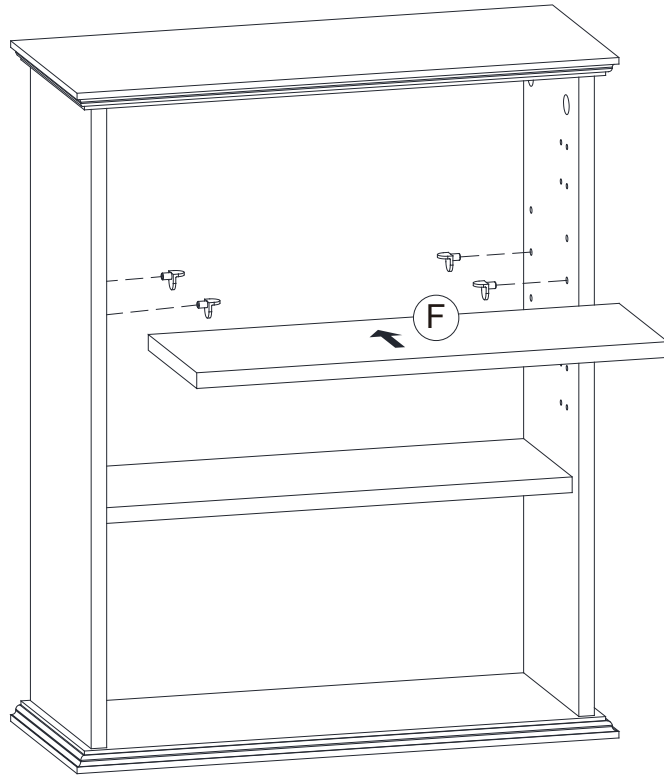
Cam Lock Fastening System

# Assembly Instruction

10



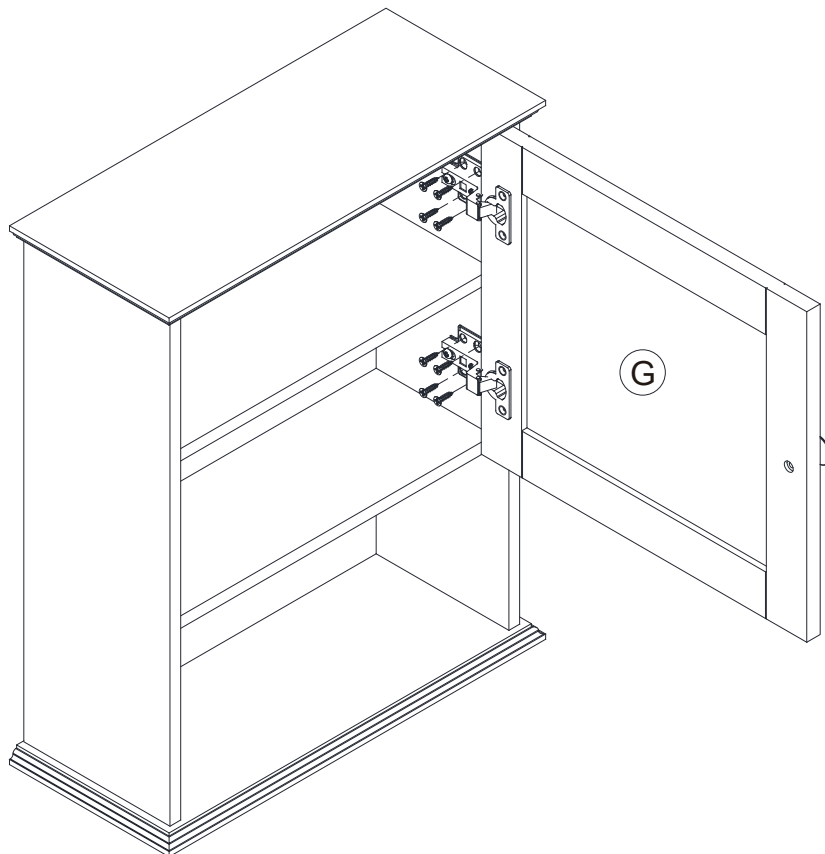
6 x4



11

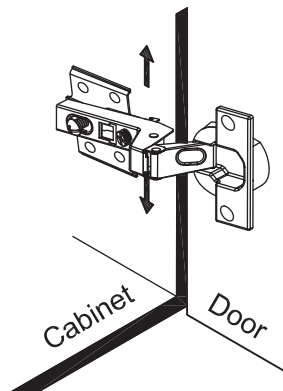
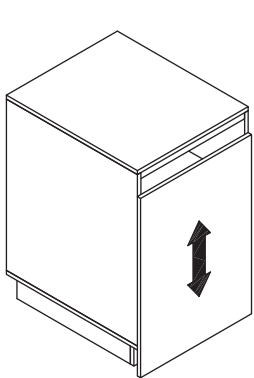
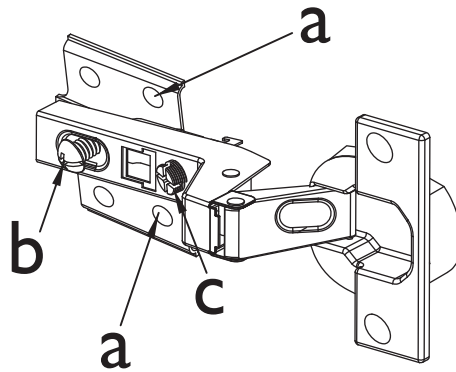


10 x8



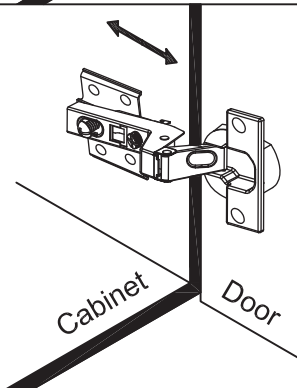
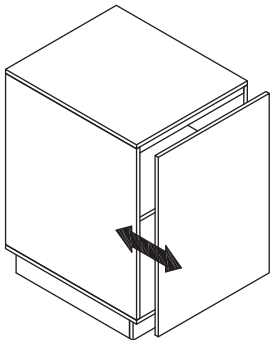
**Note:** The gaps between the door and frame can be changed by making adjustments to the hinges with a screwdriver. Refer to adjustment guide on next page.

# Assembly Instruction



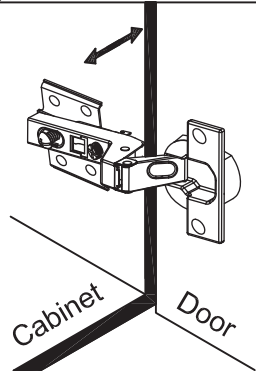
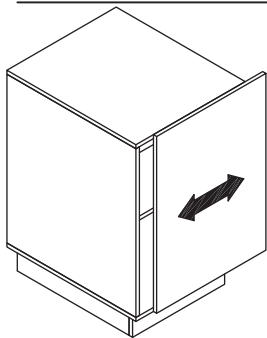
## To adjust the vertical height.

Loosen the four screws "a" on both hinges. Two of them are usually in slotted holes which allows you to adjust up or down by a few mm. Then tighten back up.



## To adjust depth.

Loosen screw "b" and adjust door, if the door can not be adjusted, please loosen screw "c", then try again. Tighten screw "b" and "c".



## To adjust side ways.

Turning the screw "c" on BOTH hinges on each door.

# Assembly Instruction

# 12



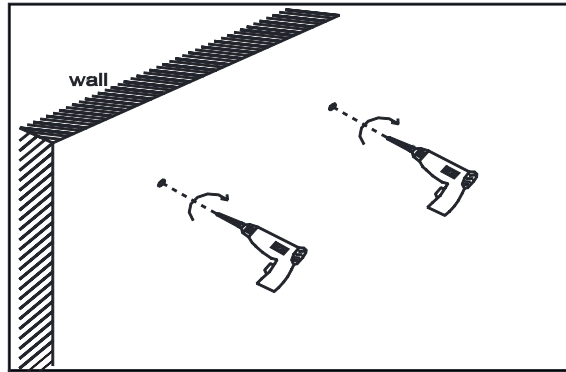
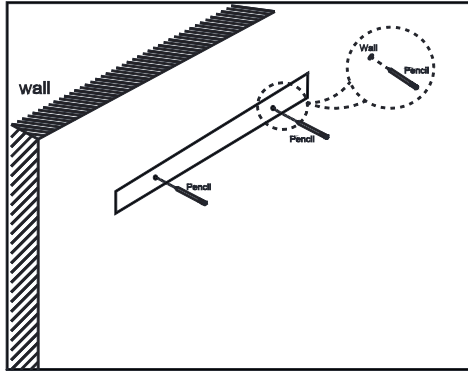
⑤ x2



⑦ x2



⑫ x2



1. Place the drawing with hole position on the wall that you desire to hang the cabinet.
2. Drill 2 holes through the hole position on the drawing.
3. Insert 2 Plastic anchors (⑦) into the holes.
4. Attach the cabinet in place with holes, then insert 2 Screws (⑤) through the holes on the back of cabinet then tighten cabinet to the wall.

