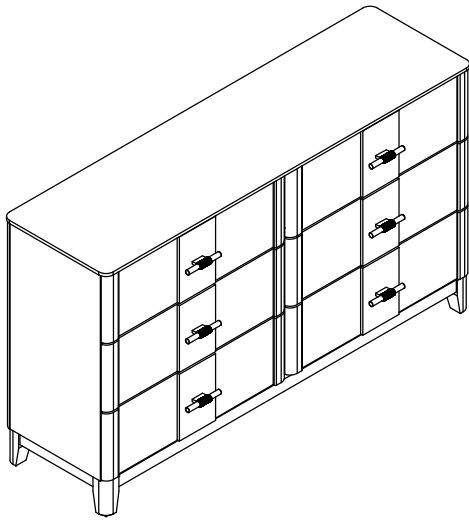


# ASSEMBLY INSTRUCTIONS

## OPEL-DR

### GAL - B2533A - DRESSER - BLACK



#### PARTS LIST

| NO | DESCRIPTION  | QTY    |
|----|--------------|--------|
| 1  | DRESSER      | 1 PC.  |
| 2  | LEG          | 4 PCS. |
| 3  | VERTICAL LEG | 1 PC.  |

#### HARDWARE LIST

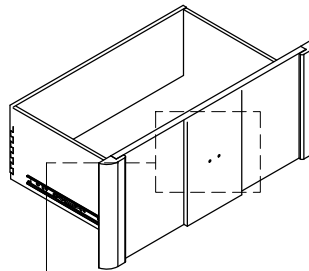
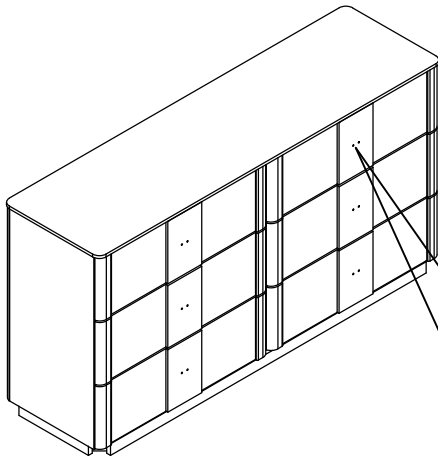
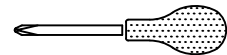
| NO | DESCRIPTION   | SIZE    | QTY    |
|----|---------------|---------|--------|
| A  | JCBC SCREW    | M6 x 50 | 8 PCS. |
| B  | SPRING WASHER | M8      | 8 PCS. |
| C  | FLAT WASHER   | M8 x 18 | 8 PCS. |
| D  | ALLEN KEY     | M4      | 1 PC.  |



#### STEP 1

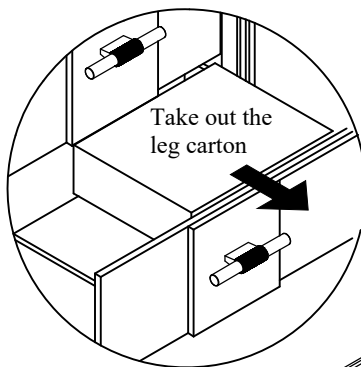
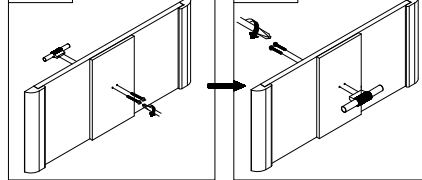
STEP 1: Assemble the handle from inside the drawer head to the front drawer head.

TOOL REQUIRED (NOT PROVIDED)



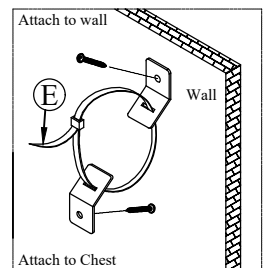
Take out

Attach



Take out the leg carton

#### STEP 4

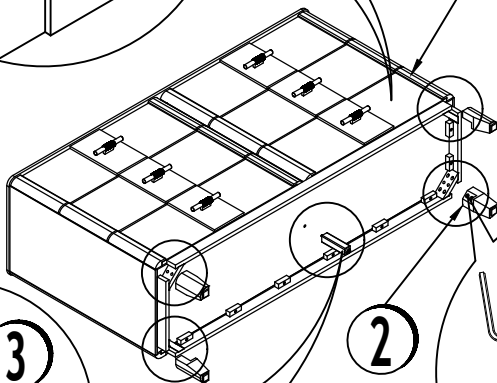
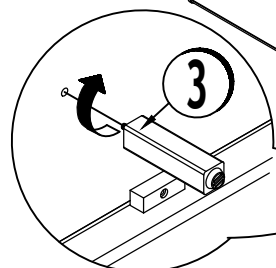


Attach to wall

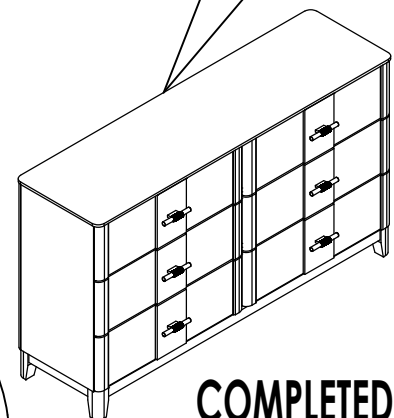
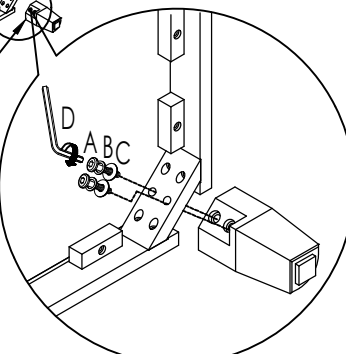
Wall

Attach to Chest

#### STEP 3



#### STEP 2



COMPLETED