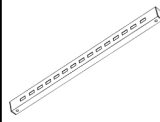

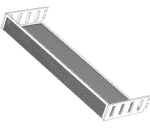
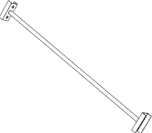
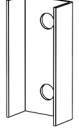
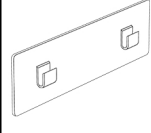
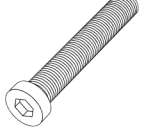


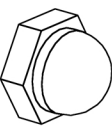

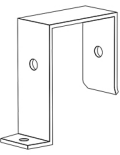
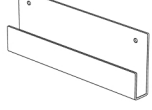

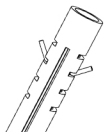


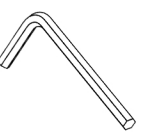


# INSTRUCTIONS

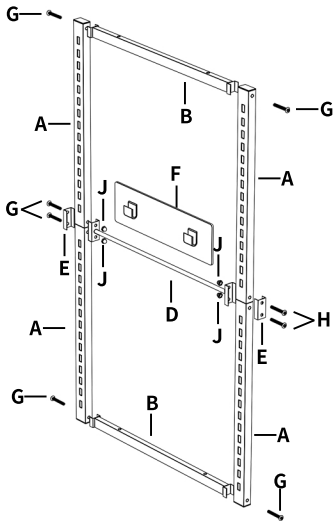
## Accessorise list

|   |   |   |   |   |   |   |  |  |
|---|---|---|---|---|---|---|--|--|
| <b>A</b> Vertical pipe<br><br>4 pcs | <b>B</b> Crossbar<br><br>2 pcs | <b>C</b> Hanging basket<br><br>4 pcs | <b>D</b> Fixed crossbar<br><br>1 pcs | <b>E</b> Buckle<br><br>2 pcs | <b>F</b> Nail free adhesive<br><br>2 pcs    | <b>G</b> screw / M60*35<br><br>8 pcs | <b>H</b> screw / M60*30<br><br>2 pcs  | <b>I</b> screw3<br><br>2 pcs          |
| <b>J</b> Nut<br><br>6 pcs           | <b>K</b> Wing nut<br><br>2 pcs | <b>L</b> Fixed hook<br><br>2 pcs     | <b>M</b> Sticker hook<br><br>1 pcs   | <b>N</b> Screw3<br><br>2 pcs | <b>O</b> Expansion rubber plug<br><br>2 pcs | <b>P</b> Hooks<br><br>8 pcs          | <b>Q</b> Open end wrench<br><br>1 pcs | <b>R</b> L-shaped wrench<br><br>1 pcs |

## Installation steps

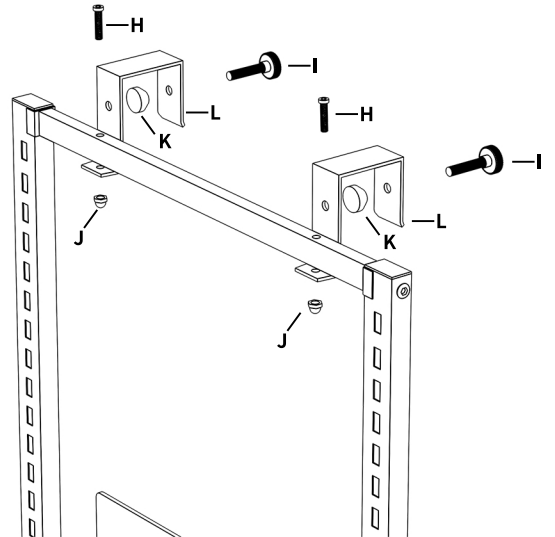
### Step 1

As shown below: Align the frame, crossbar, crossbar fixing piece, fixing piece, hook fixing plate, fixing hook, corresponding bolts and nuts, and tighten the bolts and nuts with an Allen wrench and an open-ended wrench



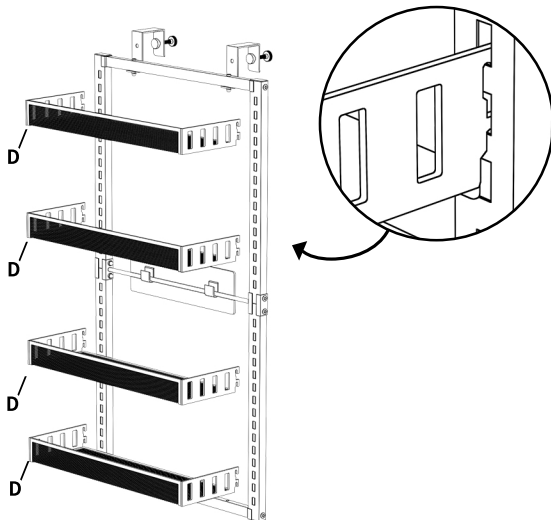
### Step 2

Install the top hook and tighten it with screws



### Step 3

Install the storage baskets separately and align them with the hole buckles



### Step 4

Assembly completed

