

ASSEMBLY INSTRUCTIONS



Fine Furniture for every stage of life

Loveseat

ASSEMBLY INSTRUCTION

ASSEMBLY TIPS:

1. Remove hardware from box and sort by size.
2. Please check to see that all hardware and parts represent prior to start of assembly.
3. Please follow attached instruction in the same sequence as numbered to assure fast & easy assembly.



WARNING!

1. Don't attempt to repair or modify parts that are broken or defective. Please contact the store immediately.
2. This product is for home use only and not intended for commercial establishment.

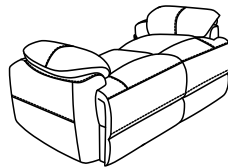


ASSEMBLY TIME

15 MINUTES

PARTS IDENTIFICATION

A SEAT



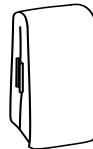
1PC

B LEFT EAR



1PC

C RIGHT EAR



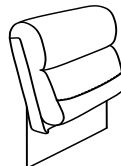
1PC

D LEFT BACK



1PC

E RIGHT BACK



1PC

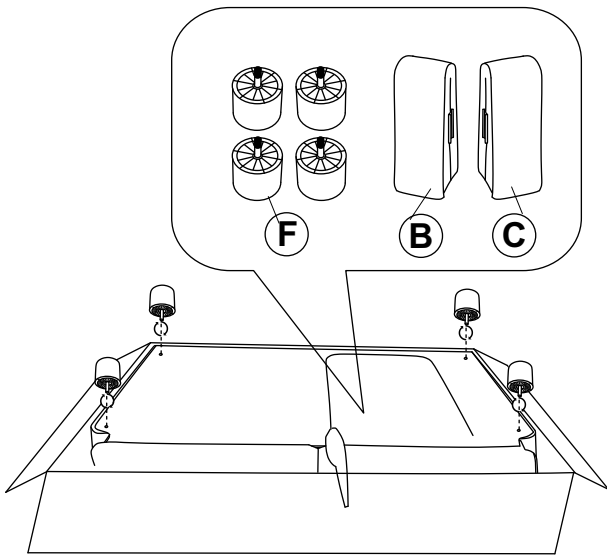
F LEG



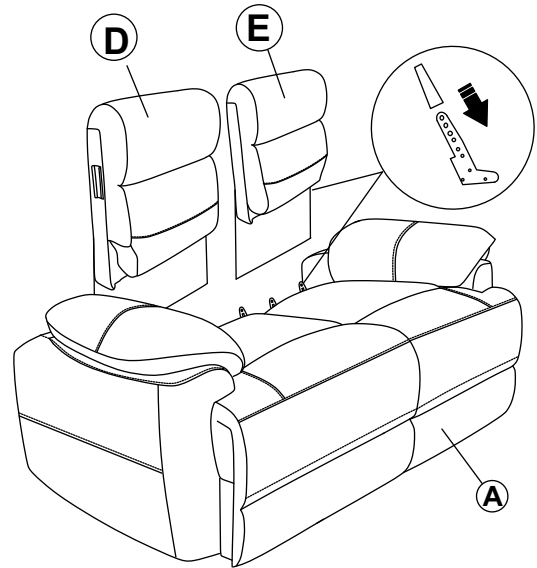
4PCS

ASSEMBLY INSTRUCTION

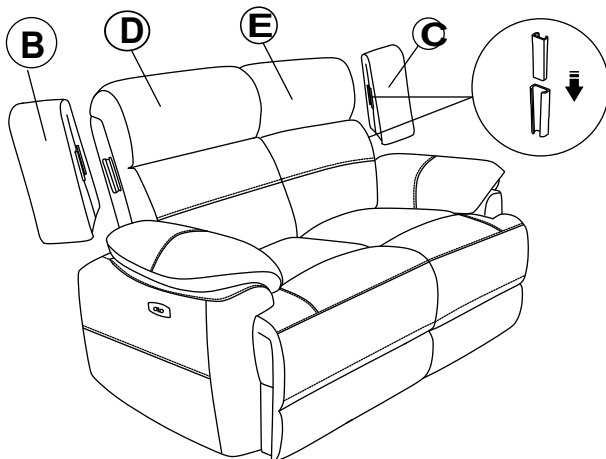
STEP 1



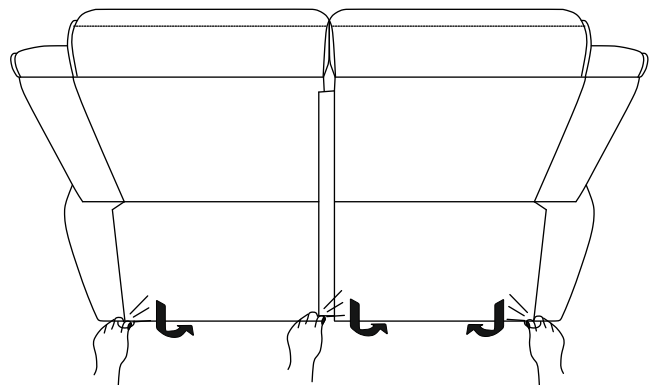
STEP 2



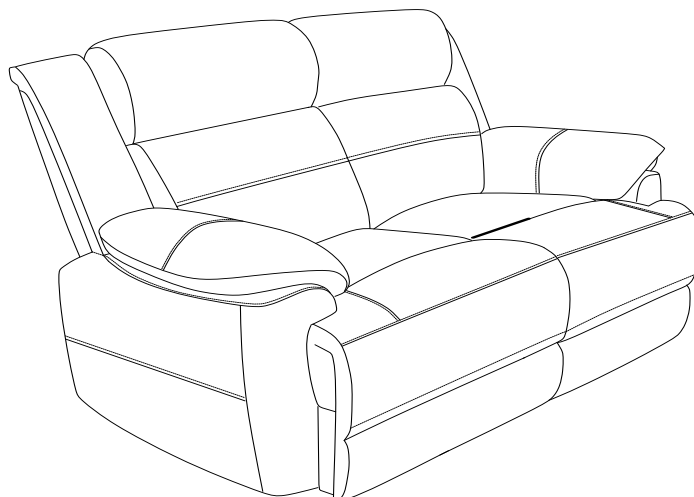
STEP 3

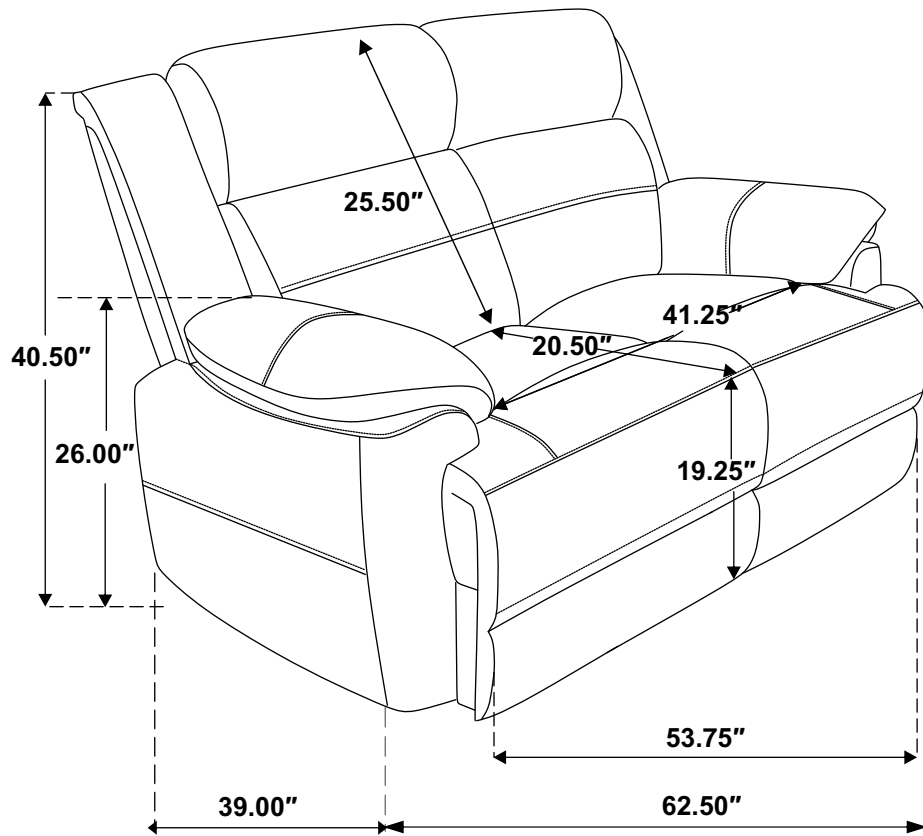


STEP 4



STEP 5 COMPLETE





Note: Dimension tolerance $\pm 5\%$