

ASSEMBLY INSTRUCTION

End Table

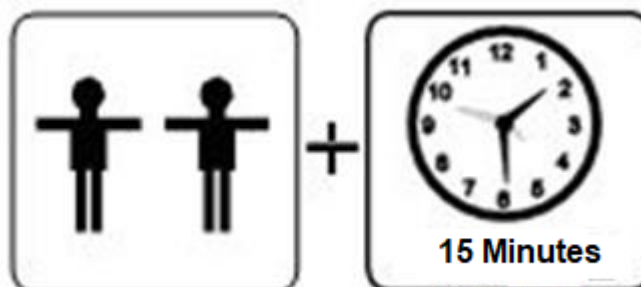


REPLACEMENT PARTS

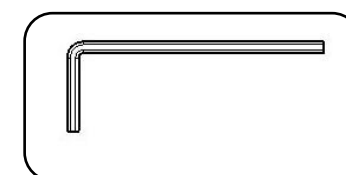
Please do not contact the company purchased from as we can help you faster.



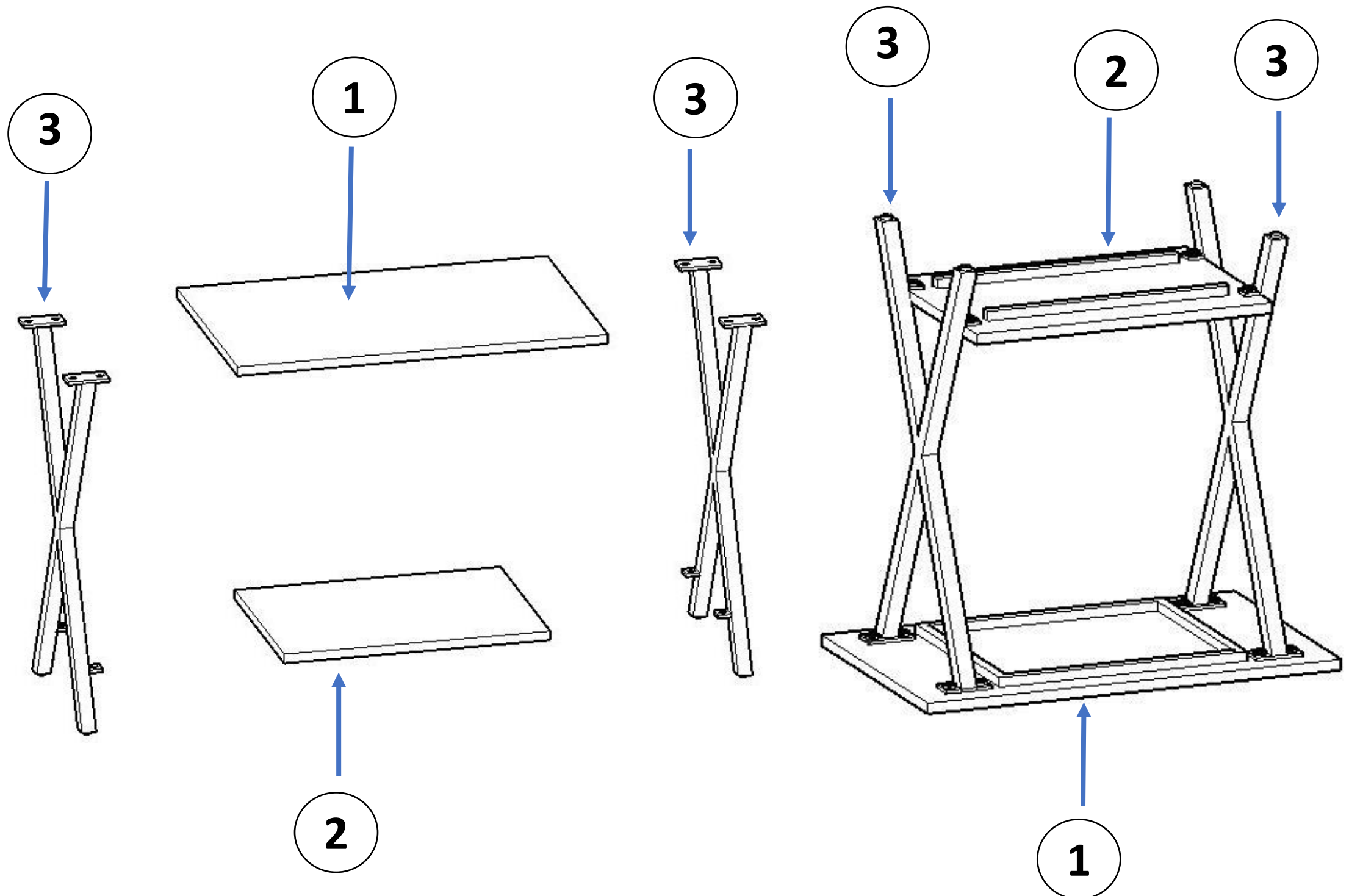
. Use of power tool to assemble this product will invalidate any claim and damage this product making it unsafe!!!
. Please assemble on a clean soft surface to avoid damage.



Tools Included



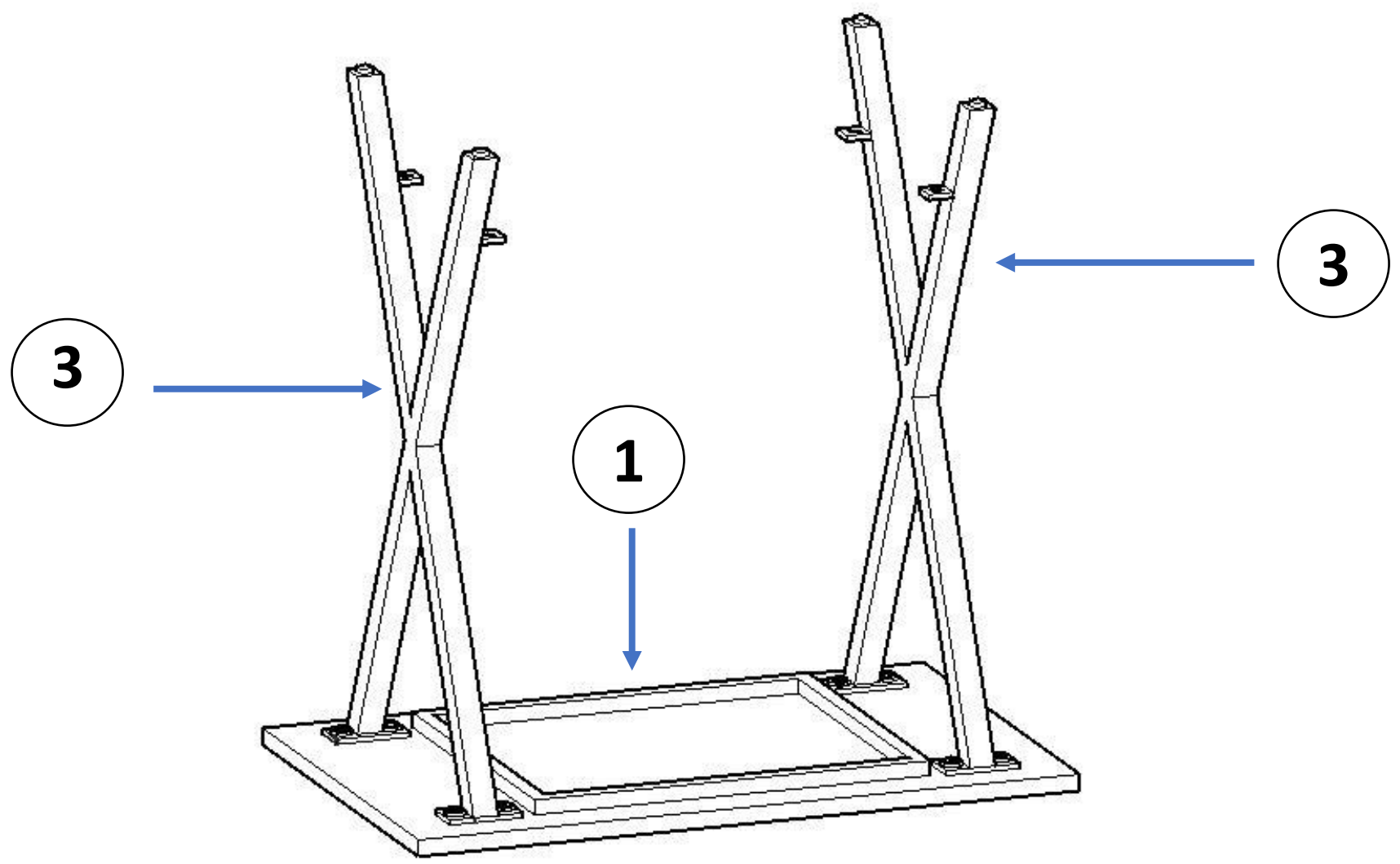
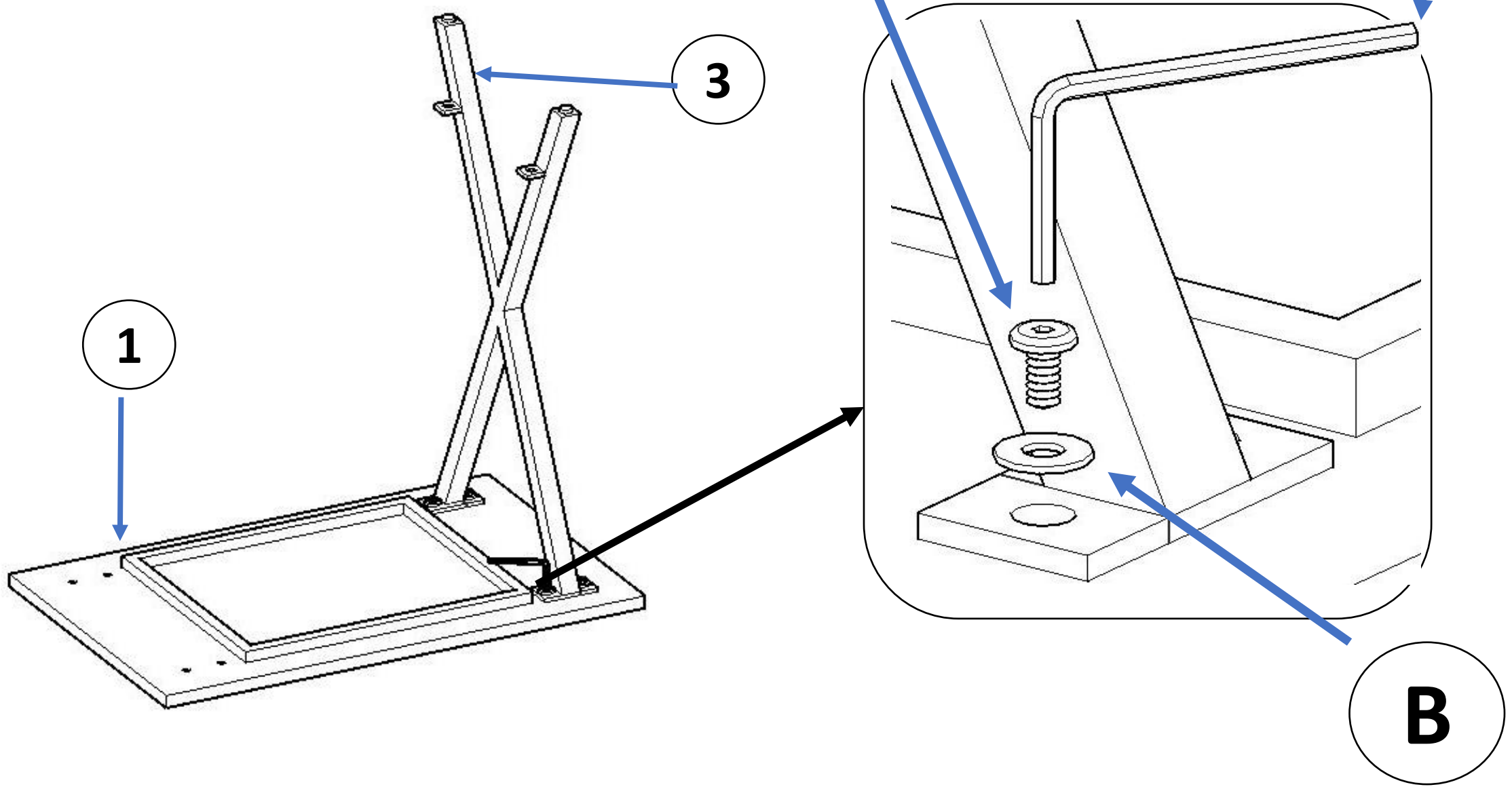
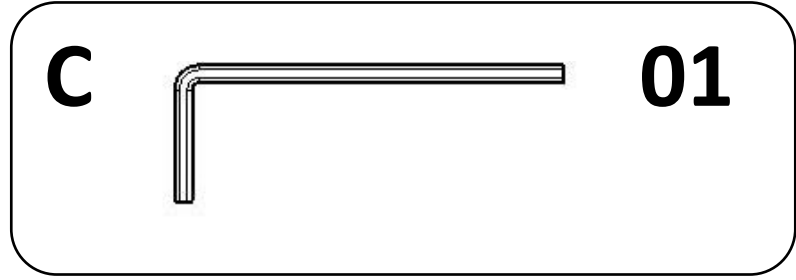
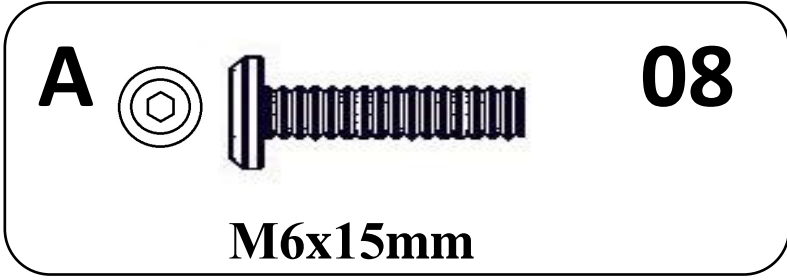
Part List – End Table



Identifying the Hardware -Identify the hardware using the illustrations below.



01



02

A



M6x15mm

04

C



01

B



04

