

# OVO COLLECTION

OVO GS, GM, GL

**EN** Installation manual

Read the included documentation and check the local regulations prior to installing and operating the product.

## Table of contents

|  |    |
|--|----|
| 1. GENERAL INFORMATION .....                               | 3  |
| 2. CLEANING AND MAINTENANCE.....                           | 3  |
| 3. SAFETY INFORMATION.....                                 | 3  |
| 4. PRODUCT COMPONENTS.....                                 | 4  |
| 4.1. Main components.....                                  | 4  |
| 4.2. Basic accessories.....                                | 4  |
| 5. KITCHEN MODULES INSTALLATION .....                      | 5  |
| 5.1. OVO GS.....   | 5  |
| 5.2. OVO GM.....   | 10 |
| 5.3. OVO GL.....   | 16 |
| 6. GAS CONNECTION.....                                     | 23 |
| 6.1. Gas hose installation.....                            | 23 |
| 6.2. Regulator installation / replacement.....             | 23 |
| 6.3. Safety instruction regarding gas cylinder usage ..... | 24 |

## 1. GENERAL INFORMATION

- Intended for outdoor use only.
- Do not install or use in boats, caravans, or recreational vehicles.
- We recommend placing a CO2 or dry powder fire extinguisher nearby if the cooking modules are part of the set
- Ensure the surrounding area allows easy removal of each module for servicing.
- We recommend keeping the original packaging to ensure safe transport of the product in case of return, exchange, or repair. Failure to provide adequate packaging may result in liability for any damage incurred during transport.
- Before using the cover make sure that the gas cylinder is closed. Fit the cover only after the barbecue / product has cooled down and dry.
- Do not place any combustible materials within a distance of 1m (40") from the cooking module
- A minimum of two people is required for safe assembly
- Place the product on a flat, paved surface outside of the building, on the place of final installation.
- Tools needed: Wrench -size 22;20;19;17 (included), allen wrench size 4 (included), cleaning cloth and degreasing liquid (not included), spirit level (not included), Phillips screwdriver (not included),
- Make sure all the parts are present before beginning the assembly. If any parts are missing or damaged, do not attempt to assemble the products. Contact customer service for replacement parts via telephone or email

Customer Service: +48 510 282 086

E-mail contact: hello@q-boo.com

## 2. CLEANING AND MAINTENANCE

- To clean the product, wipe with a soft, slightly damp cloth. BBQ grill cleaning and maintenance instructions are provided in the dedicated manual.
- Never use corrosive detergents, wire brushes, abrasive scourers, metal or sharp utensils to clean the product
- Regularly examine the product for wear and tear. Stop using the product at first sign of damage or if parts become detached.
- In case of heavy wind, immediately switch off the cooking module and wait until conditions improve before using again.
- If the kitchen is not in use for a longer period of time we advise to protect it from atmospheric conditions and the main valve of the gas cylinder needs to be turned off
- If the outdoor temperature falls below 4 °C (32.9 °F), shut off the kitchen water supply by closing the inlet valves and draining all remaining water from the system using the tap.
- Only use manufacturer-approved decorative accessories for Q-boo products. Follow the provided guidelines to prevent damage to the unit.

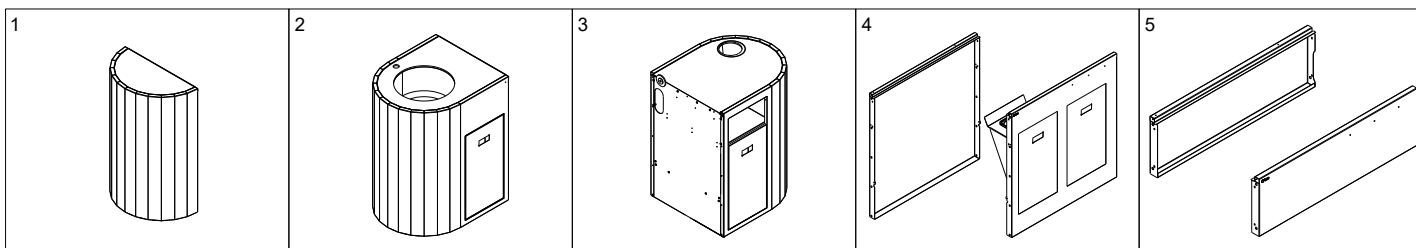
## 3. SAFETY INFORMATION

When using the product, basic safety precautions should always be followed to reduce the risk of injury including the following:

- The product has a loose-fitting stone worktop—do not lift or move the product by the worktop.
- If the product must be moved, first disconnect the utilities (water and gas), take out or secure loosen elements. Move the product by its base only.
- Keep children and pets away during assembly.
- Keep children, animals and unauthorized persons away from the cooking modules when in use.
- Do not use this product if any parts are missing, damaged, or worn.
- Do not change the structure of the device or its sealed elements
- Do not leave an operating cooking devices unattended
- The maximum load capacity of the worktop is 20 kg. For safety reasons, do not sit on the worktop surface.
- The grill and surrounding worktop may get hot during use—exercise caution when using the product.

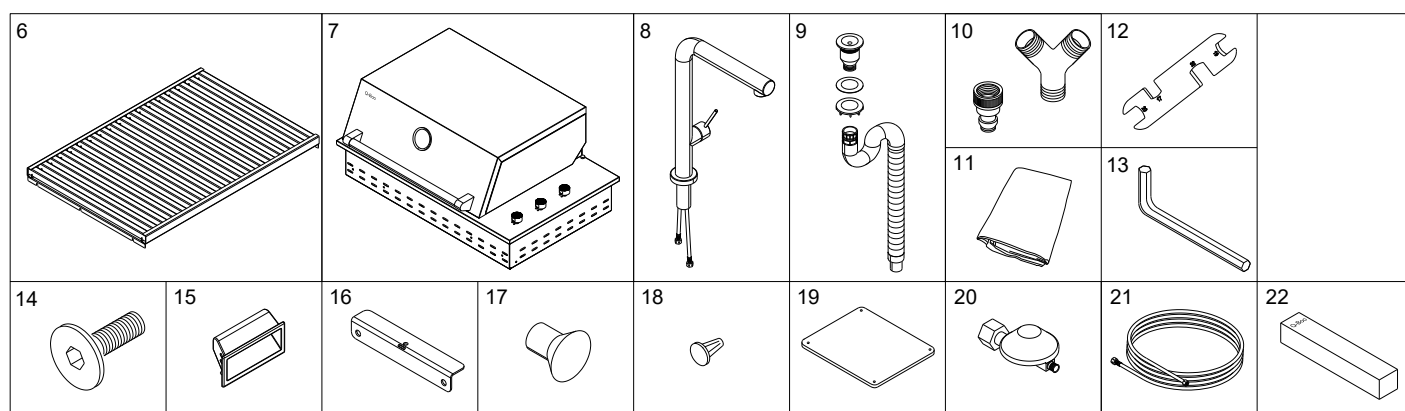
## 4. PRODUCT COMPONENTS

### 4.1. Main components



- |                                 |                                |
|---------------------------------|--------------------------------|
| 1. Short module                 | 2 pcs (OVO GS), 1 pc (OVO GM), |
| 2. Module with sink             | 1 pc (OVO GL),                 |
| 3. Module with drinks container | 1 pc (OVO GM, GL)              |
| 4. Front and back cover (large) | 1 pc (OVO GS),                 |
| 5. Front and back cover (small) | 1 pc (OVO GM, GL)              |

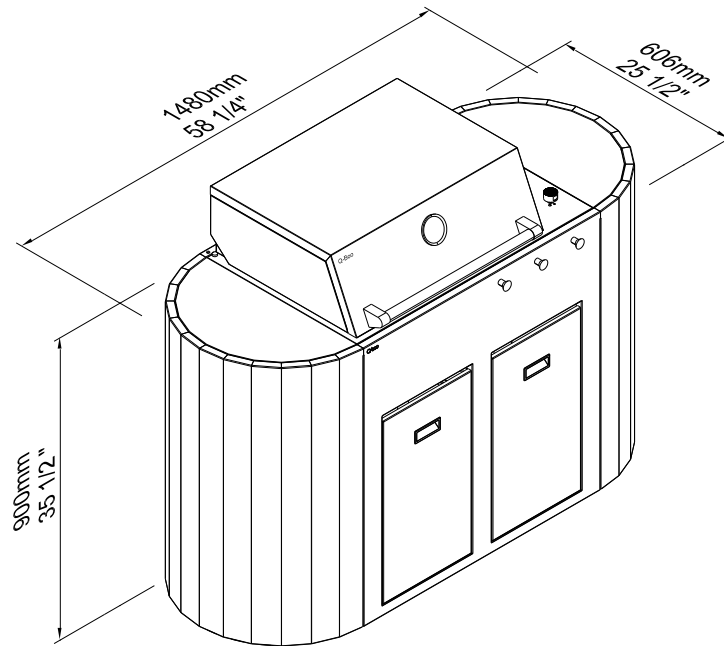
### 4.2. Basic accessories



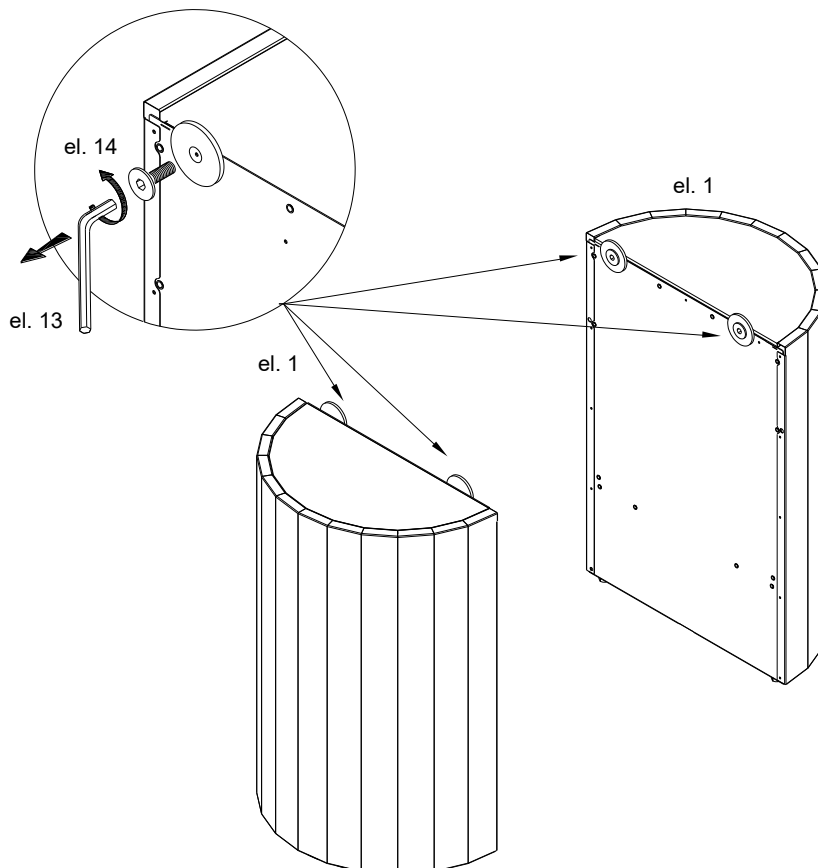
- |  |                                      |
|--|--------------------------------------|
| 6. Wooden shelf                                  | 1 pc (OVO GM, GL)                    |
| 7. BBQ   | 1 pc                                 |
| 8. Tap   | 1 pc (OVO GL)                        |
| 9. Tap drain with a trap                         | 1 pc (OVO GL)                        |
| 10. T-joint and garden quick-connect coupler     | 1 pc (OVO GL)                        |
| 11. Cover  | 1 pc                                 |
| 12. Flat spanner (17, 19, 20, 22)                | 1 pc                                 |
| 13. Allen wrench 4                               | 1 pc                                 |
| 14. M6 furniture screw                           | 18 pcs (OVO GS), 26 pcs (OVO GM, GL) |
| 15. Door handle                                  | 2 pcs                                |
| 16. Supporting bracket                           | 4 pcs                                |
| 17. Accessory holder with M4x8 screw             | 3 pcs (OVO GS), 4 pcs (OVO GM, GL)   |
| 18. Pins for LPG gas cylinder mat                | 4 pcs (OVO GM, GL)                   |
| 19. Gas cylinder mat                             | 1 pc (OVO GM, GL)                    |
| 20. Gas pressure reducer (type depend on market) | 1 pc                                 |
| 21. Gas hose 1,5m                                | 1 pc                                 |
| 22. Cooking accessories                          | 1 box                                |

## 5. KITCHEN MODULES INSTALLATION

### 5.1. OVO GS

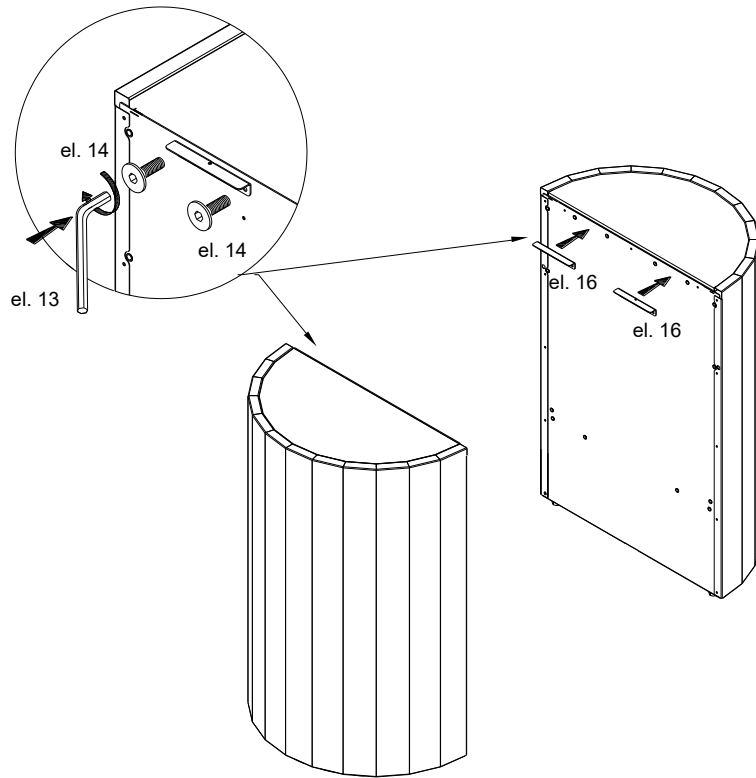


Product overview and overall dimensions of OVO model GS.

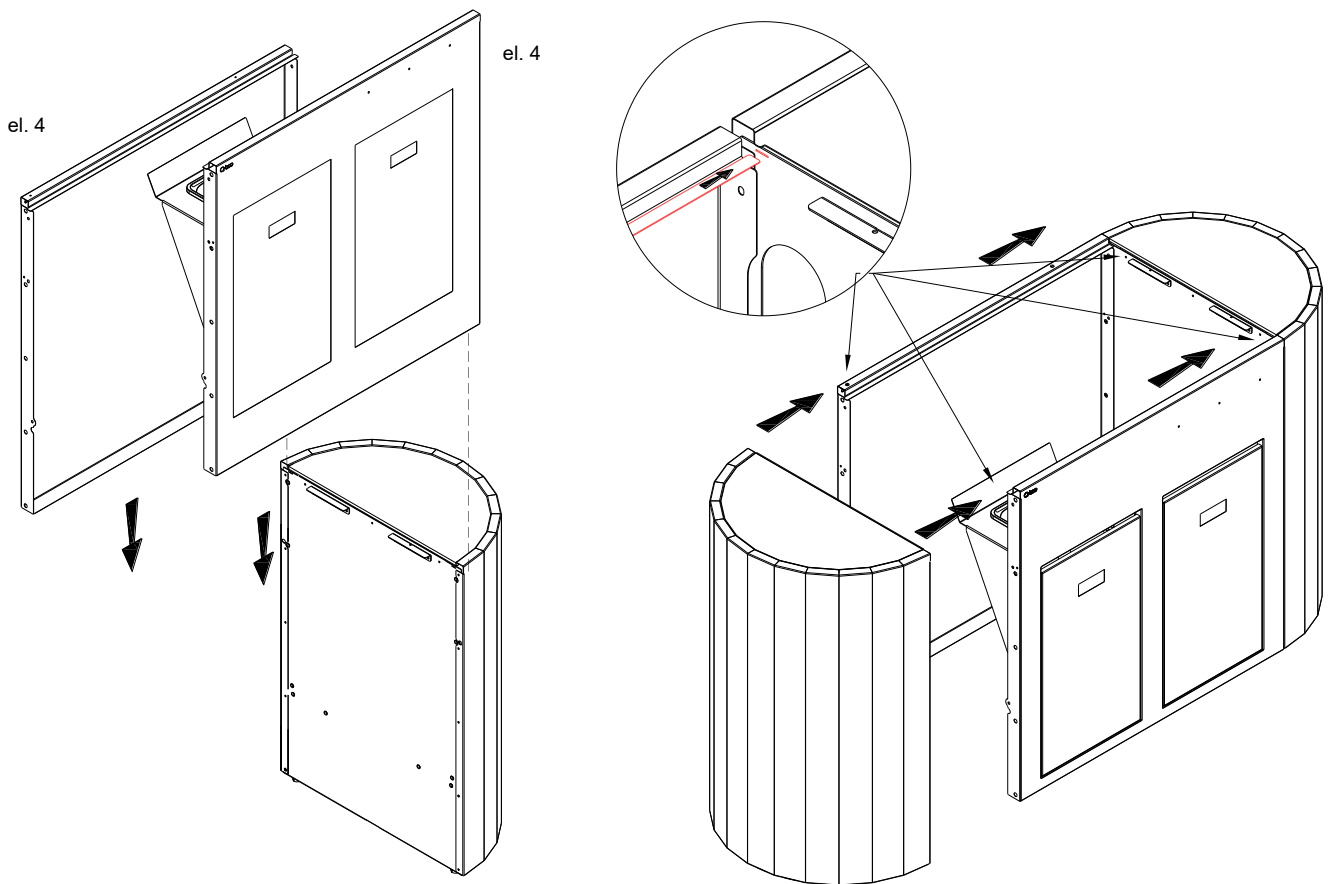


Carefully unpack the product from the pallet and remove the protective corner pieces, cardboard and protective film.

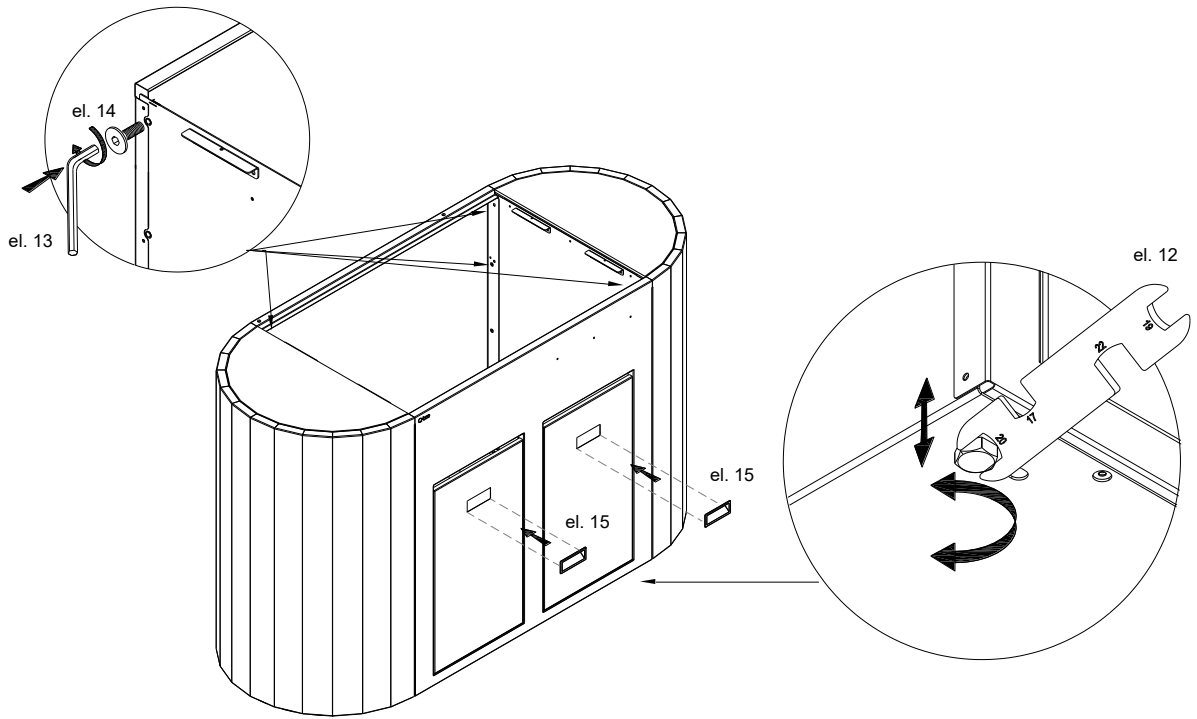
Place the side modules on a flat, hard (level) surface, then unscrew the transport brackets securing the stone cladding (the screws and brackets are used solely to secure the stone cladding and will not be used in subsequent stages of installation). Check that the stone worktop is correctly seated in the product's structure and adjust its position if necessary.



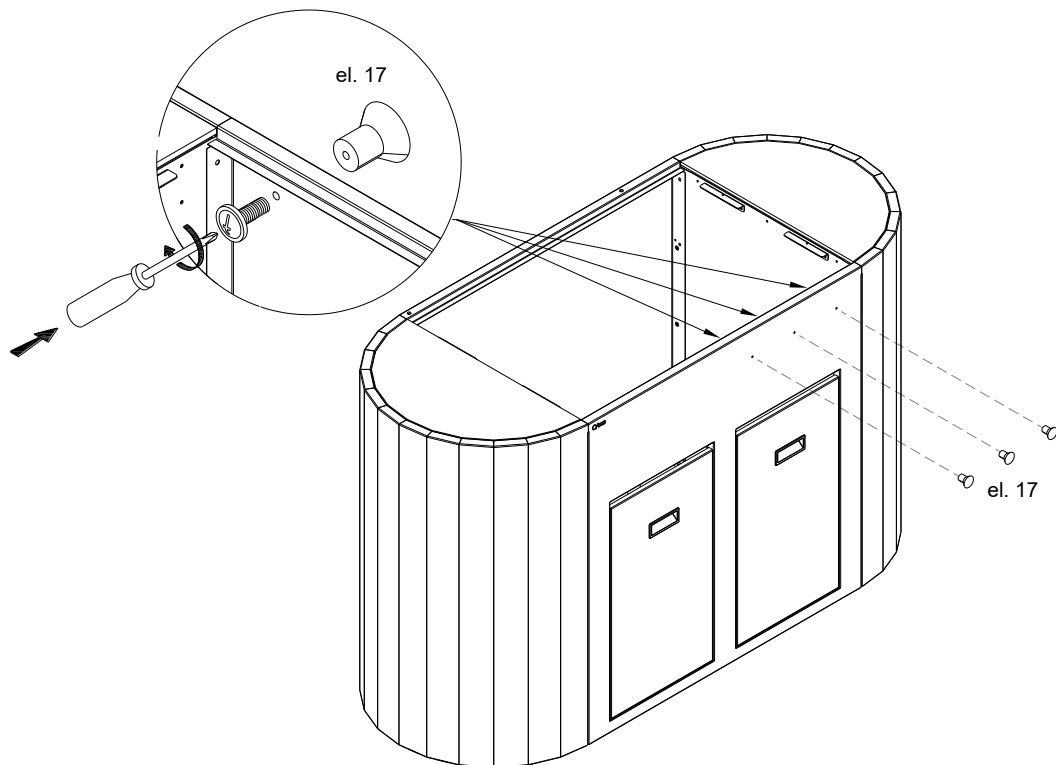
Screw on the supporting brackets on both modules making sure it will be placed as on drawing. Use dedicated allen wrench.



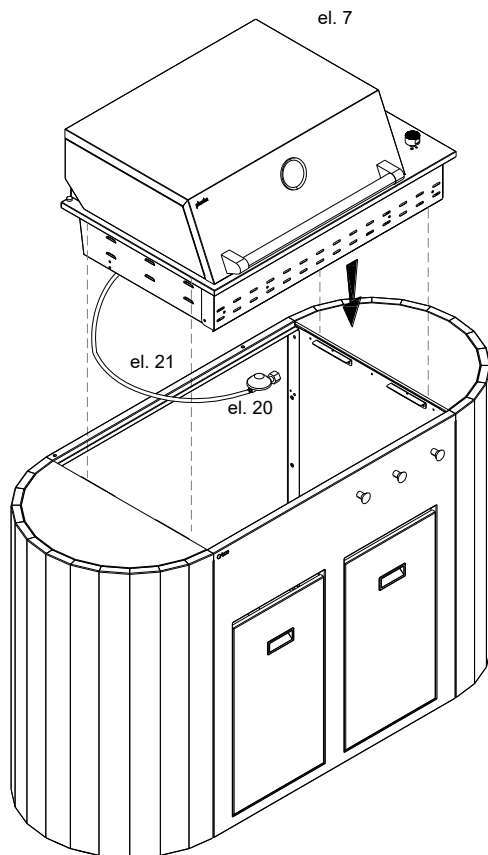
Place the front and back cover between the side modules sliding them in (fitting locking elements in dedicated holes)



Pre-fasten the panels to the side modules using screws and an Allen key. Insert the door handle into the designated holes. Once the unit is fully assembled and pre-levelled, tighten the screws securely.



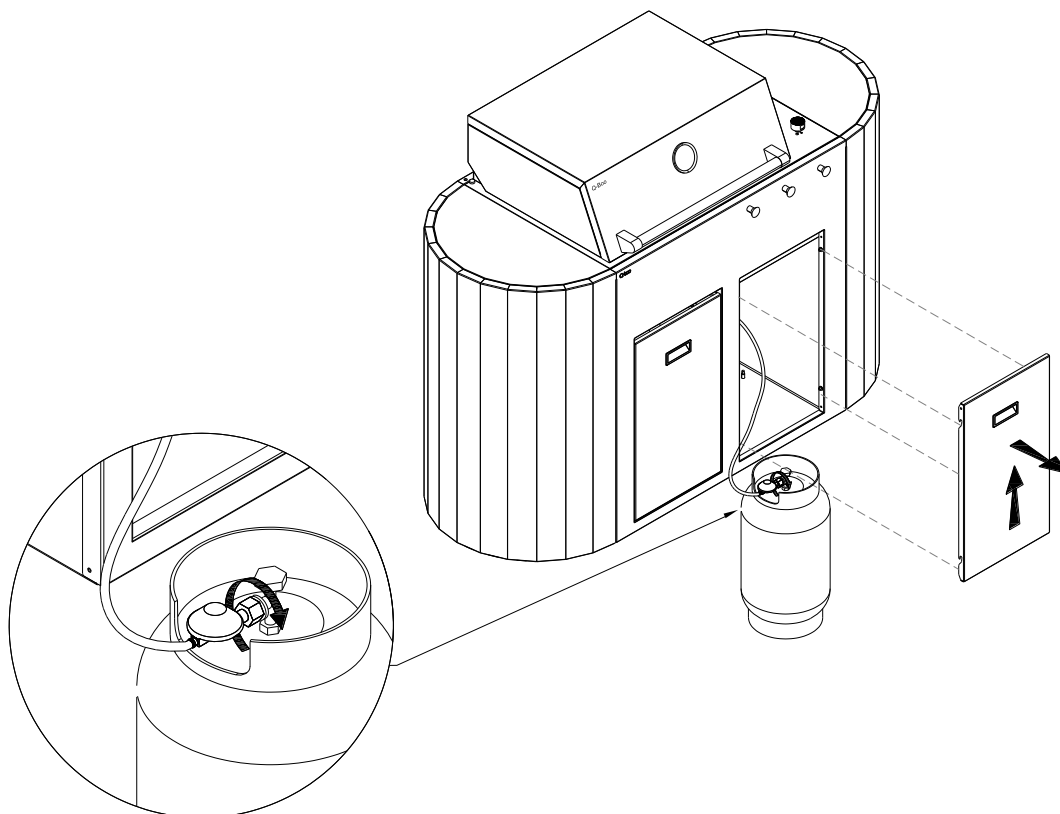
Install the accessory holder on place and secure it with screws (Screwdriver is not included)



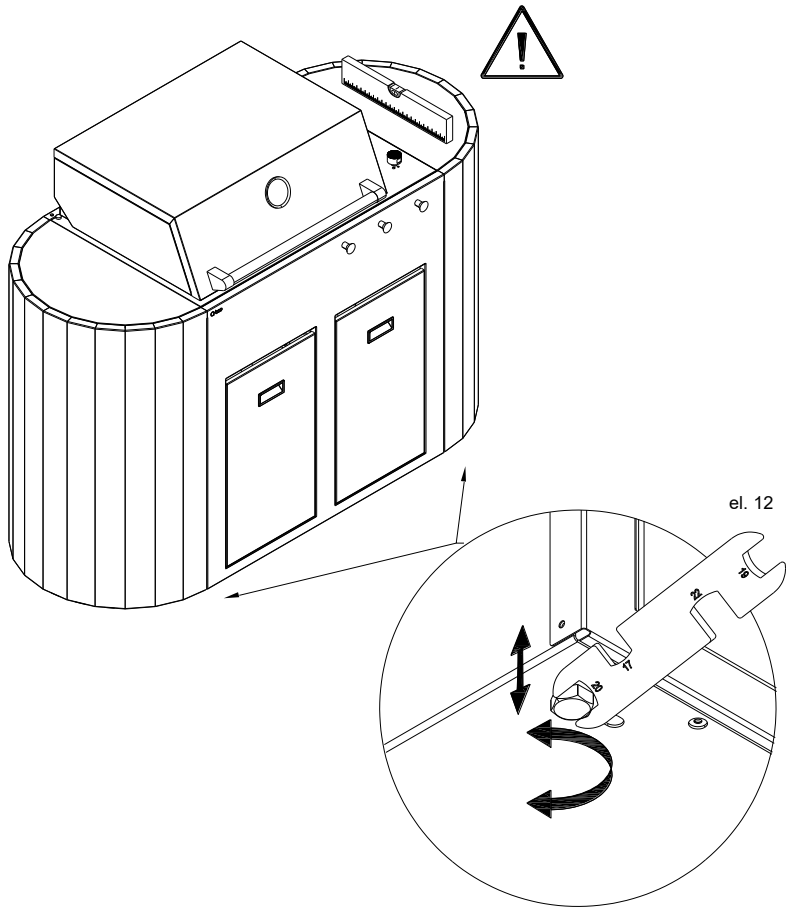
**BEFORE INSTALLING THE BBQ GRILL GO TO GAS HOSE INSTALLATION AND REGULATOR INSTALLATION**

Put the BBQ Grill on top of the supporting brackets. Led the gas hose with pressure reducer through dedicated hole if necessary.

**WARNING!** The device must be installed by the installer who is certified and qualified specialist in gas heating and should have all the qualifications required by local law. Failing to comply with the above condition may result in voiding the warranty.

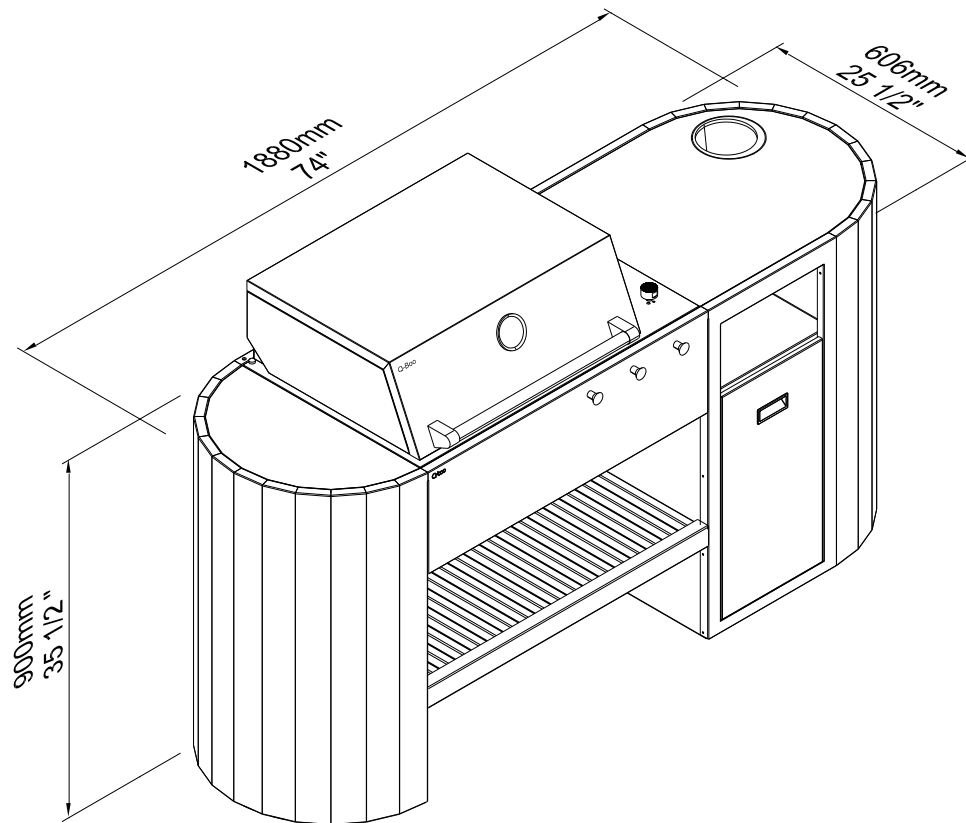


Take off the door and connect the pressure regulator to the gas cylinder. Place the cylinder in the designated space, ensuring it stands upright. Keep the area clear of objects that could obstruct access or restrict ventilation.

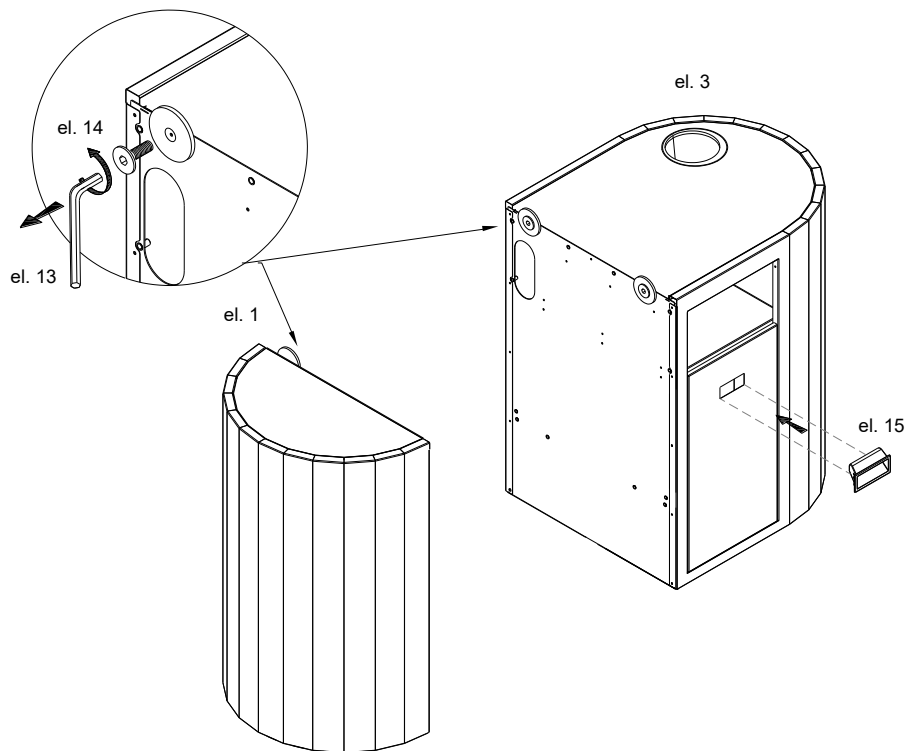


Level the product using flat spanner.

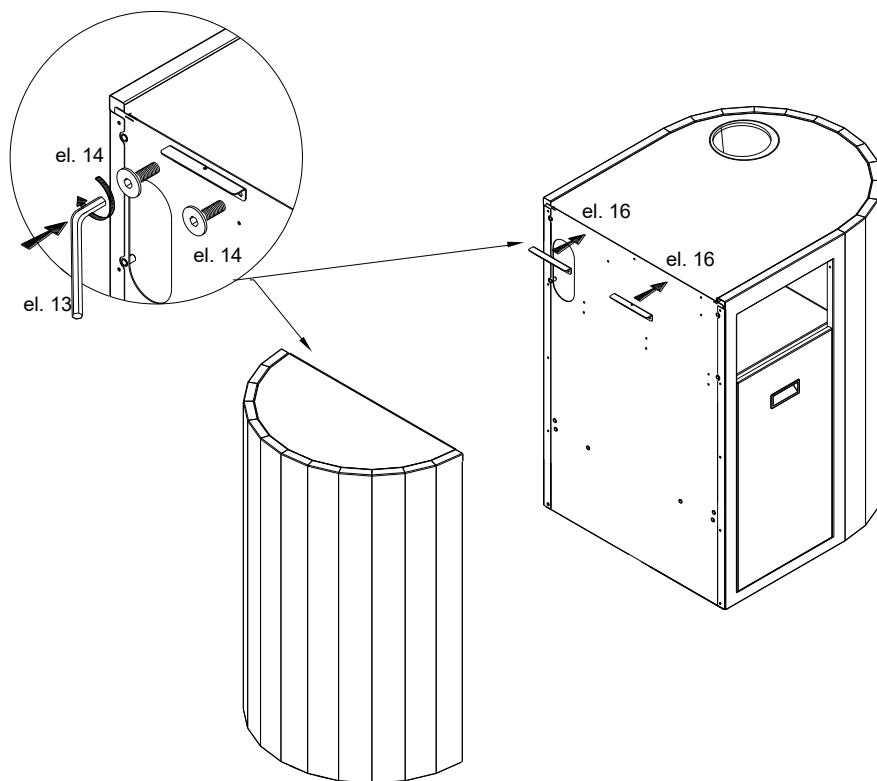
## 5.2. OVO GM



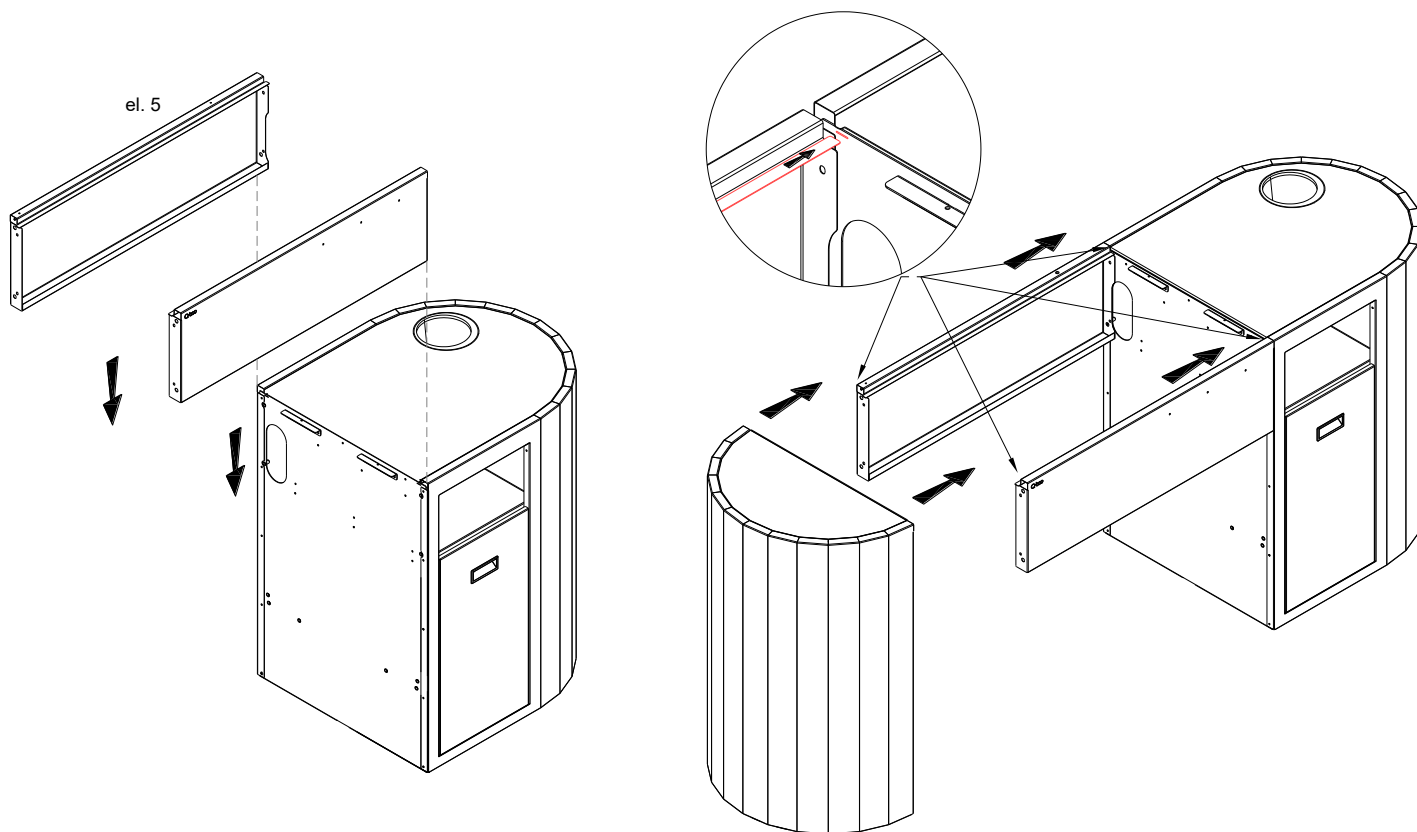
Product overview and overall dimensions of OVO model GM.



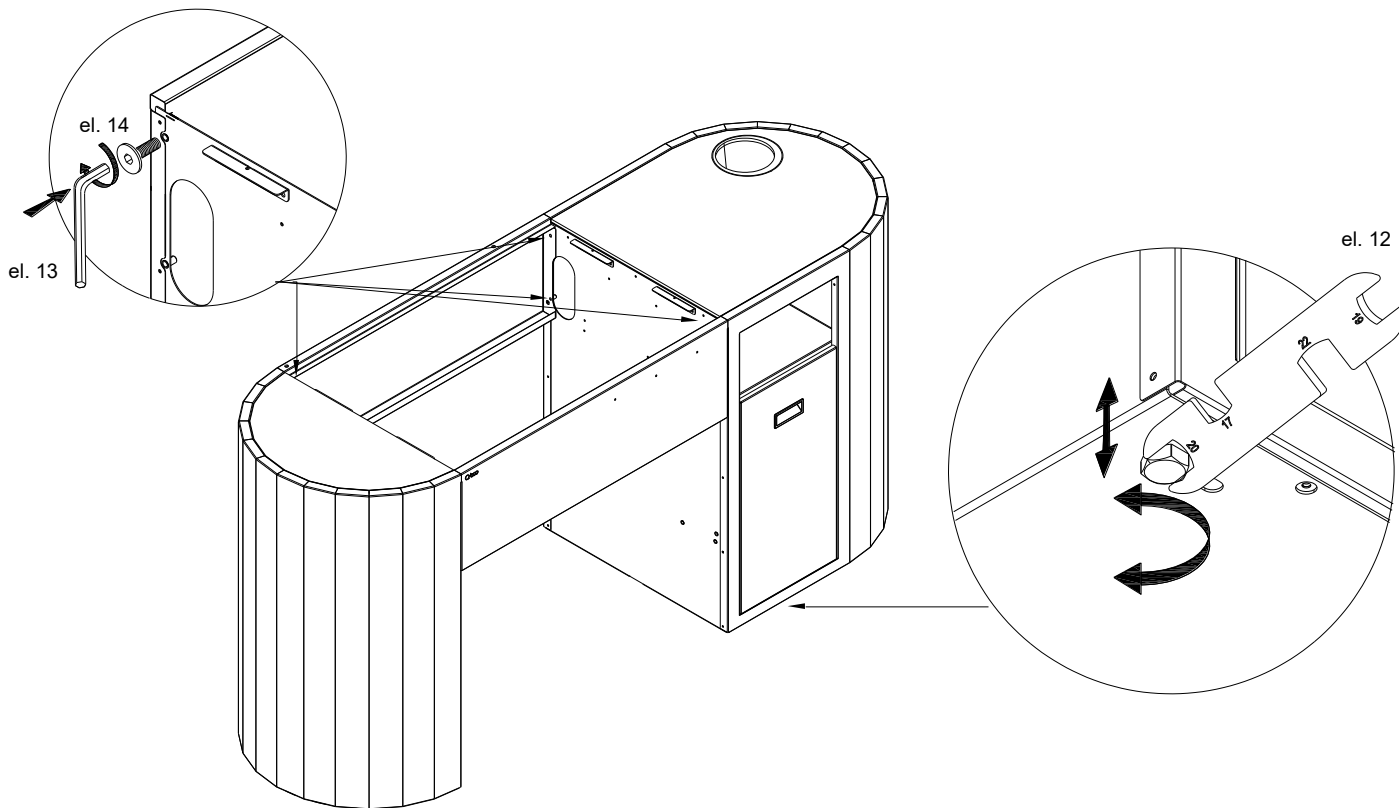
Carefully unpack the product from the pallet and remove the transport protection corners, cardboard and folie covers. Put the side modules on flat, paved (leveled) surface and then unscrew the transportation holders holding stone cladding (Screws and holders are only dedicated for securing the stone cladding and will not be used for further steps). Check that the stone worktop is correctly seated in the product's structure and adjust its position if necessary. Put the door handle in dedicated slots.



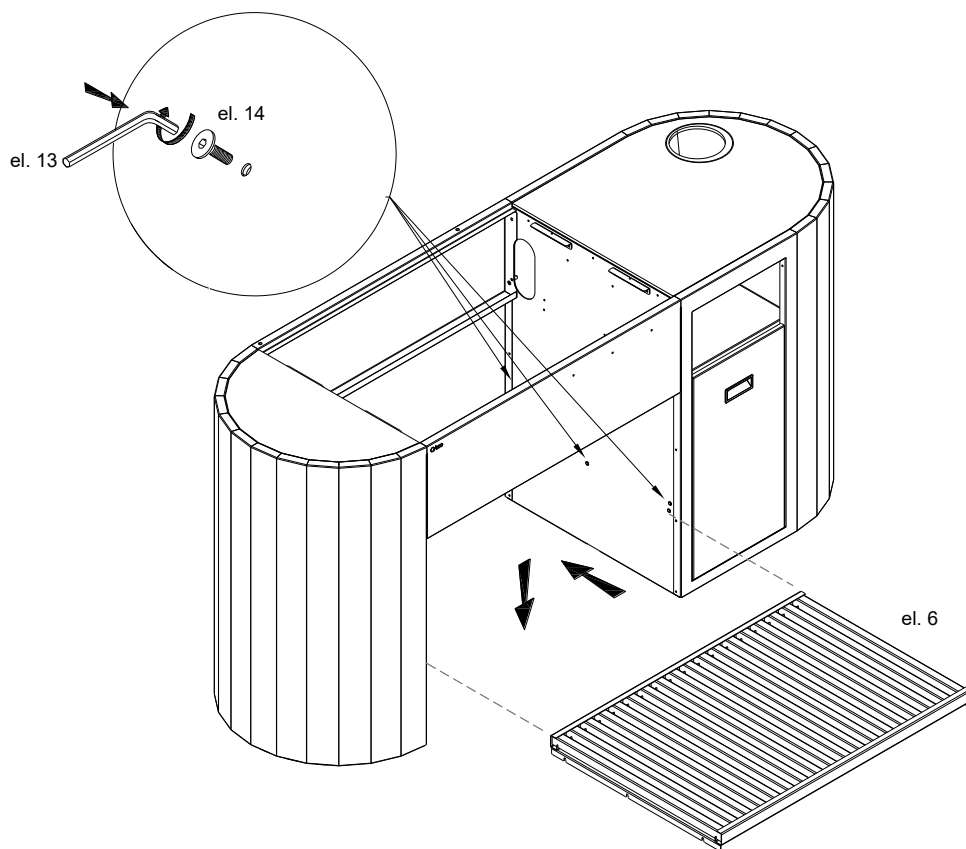
Screw on the supporting brackets on both modules making sure it will be placed as on drawing. Use dedicated allen wrench.



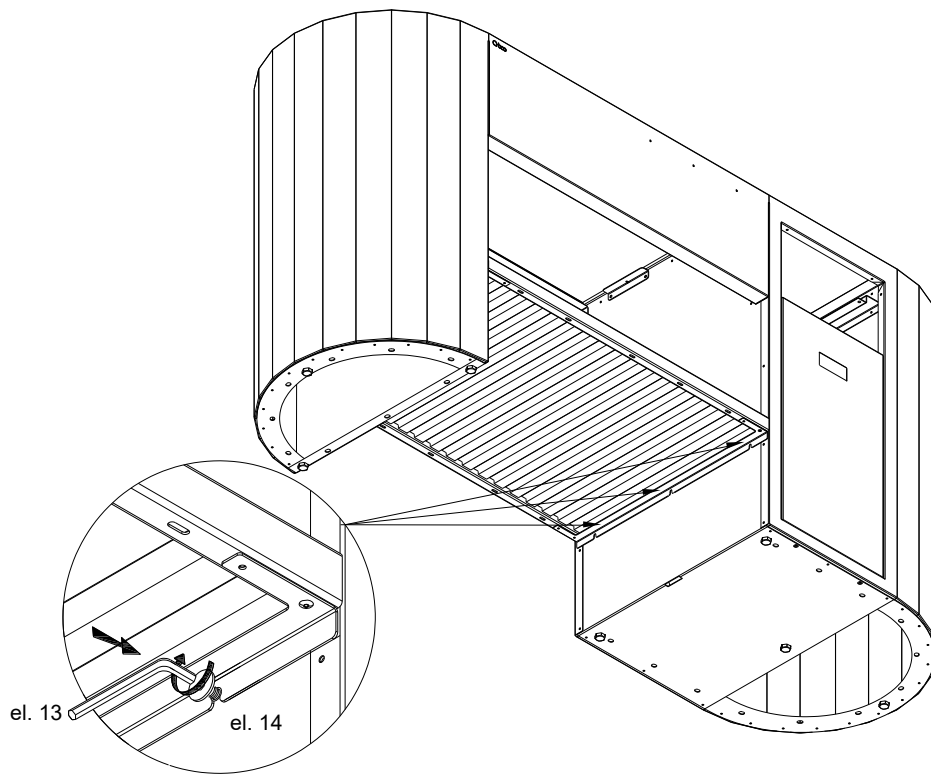
Place the front and back cover between the side modules sliding them in (fitting locking elements in dedicated holes)



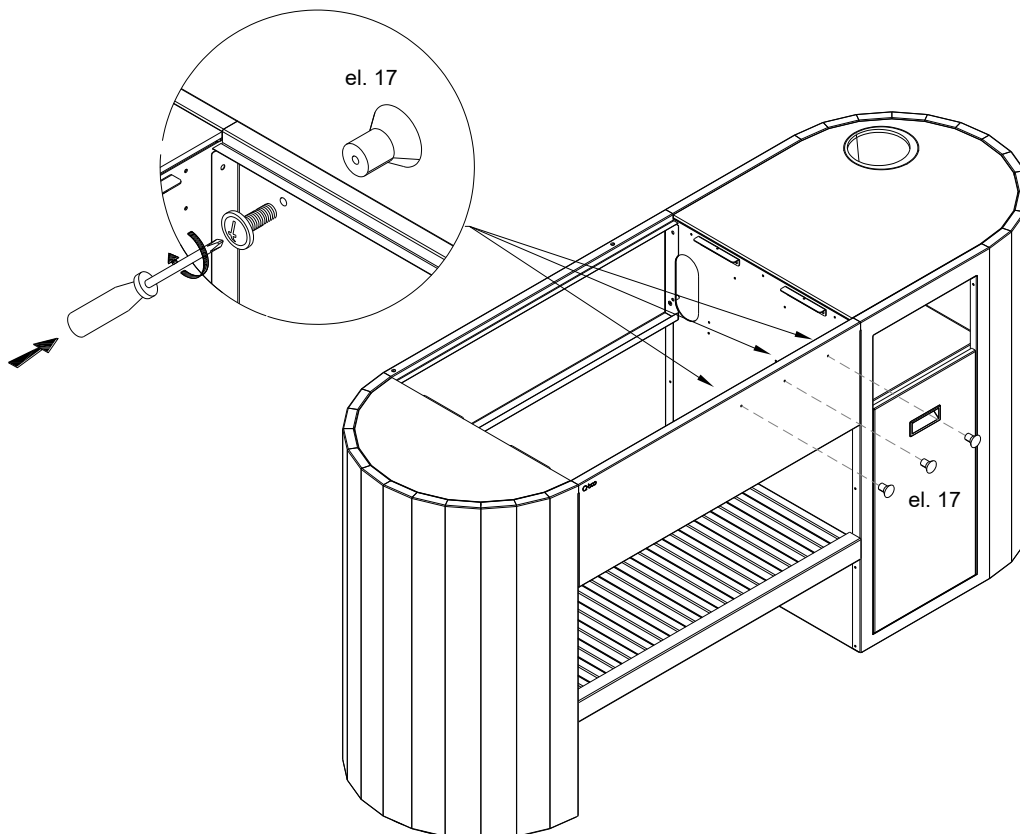
Pre-fasten the panels to the side modules using screws and an Allen key. Once the unit is fully assembled and pre-levelled, tighten the screws securely.



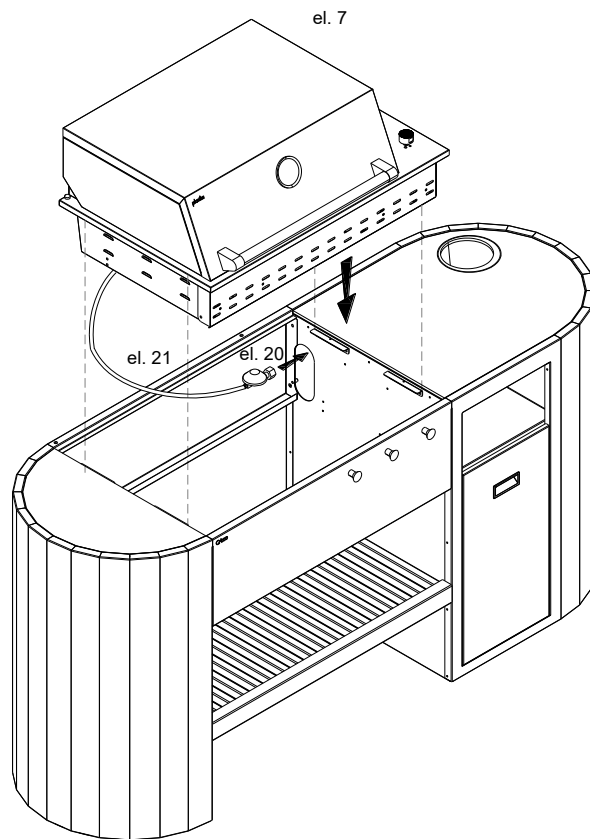
Place the wooden shelf on pre-screwed (1 -1,5 round) screws.



Secure wooden shelf using screws and allen wrench.



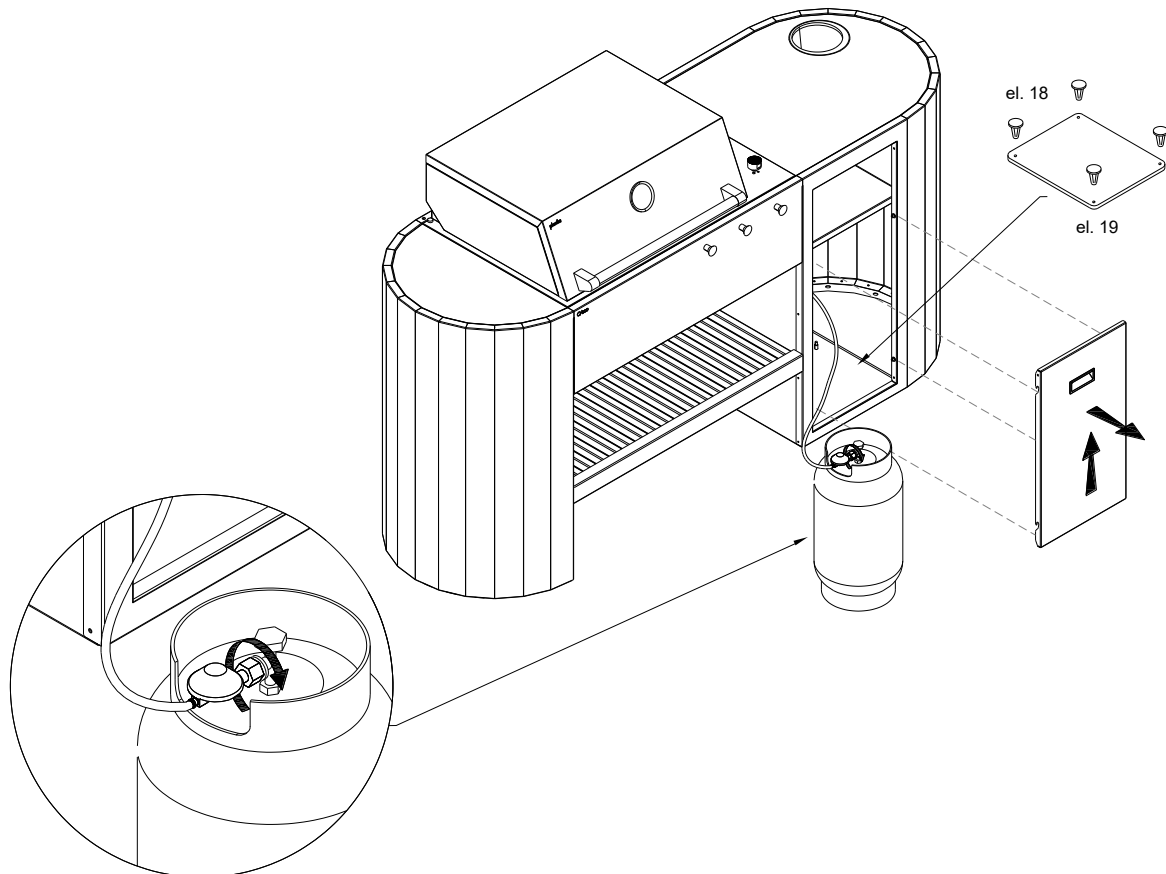
Install the accessory holder on place and secure it with screw. (Screwdriver is not included)



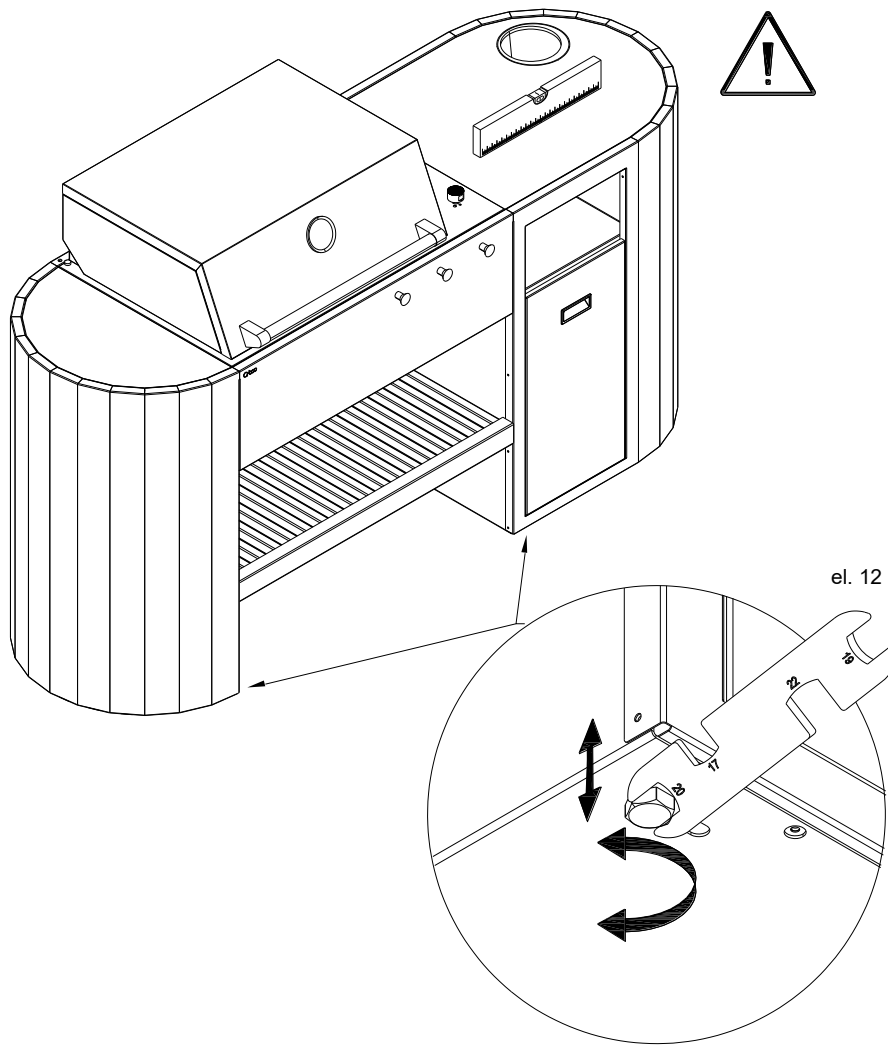
**BEFORE INSTALLING THE BBQ GRILL GO TO GAS HOSE INSTALLATION AND REGULATOR INSTALLATION**

Put the BBQ Grill on top of the supporting brackets. Led the gas hose with pressure reducer through dedicated hole if necessary.

**WARNING!** The device must be installed by the installer who is certified and qualified specialist in gas heating and should have all the qualifications required by local law. Failing to comply with the above condition may result in voiding the warranty.

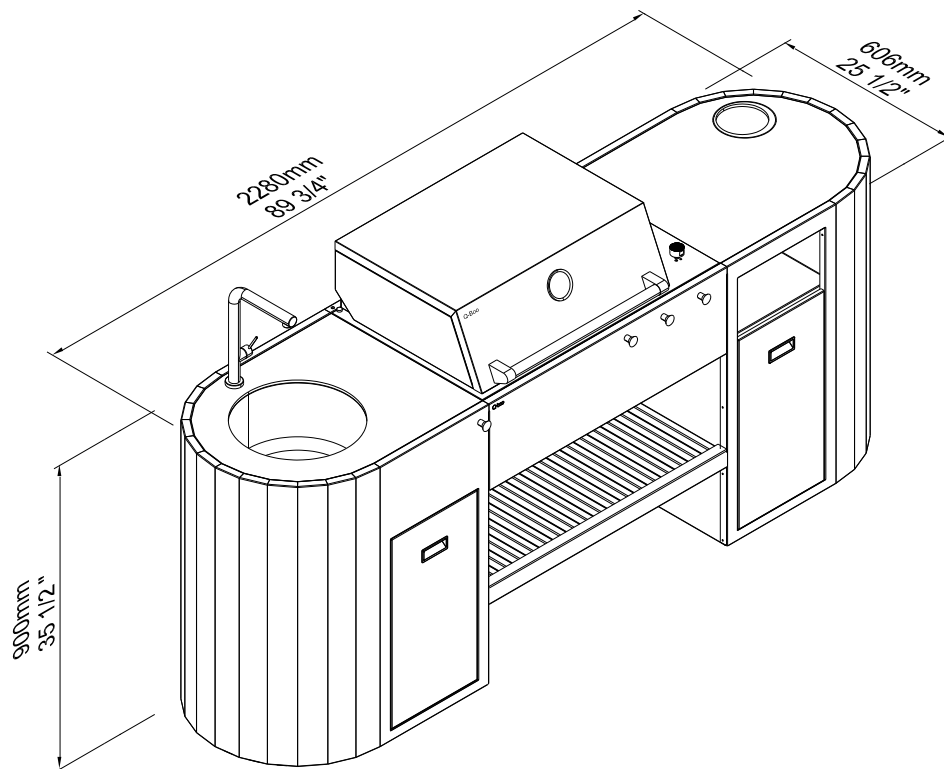


Take off the door and connect the pressure regulator to the gas cylinder, place the mat in the kitchen module securing it with the added pins. Place the cylinder in the designated space, ensuring it stands upright. Keep the area clear of objects that could obstruct access or restrict ventilation.

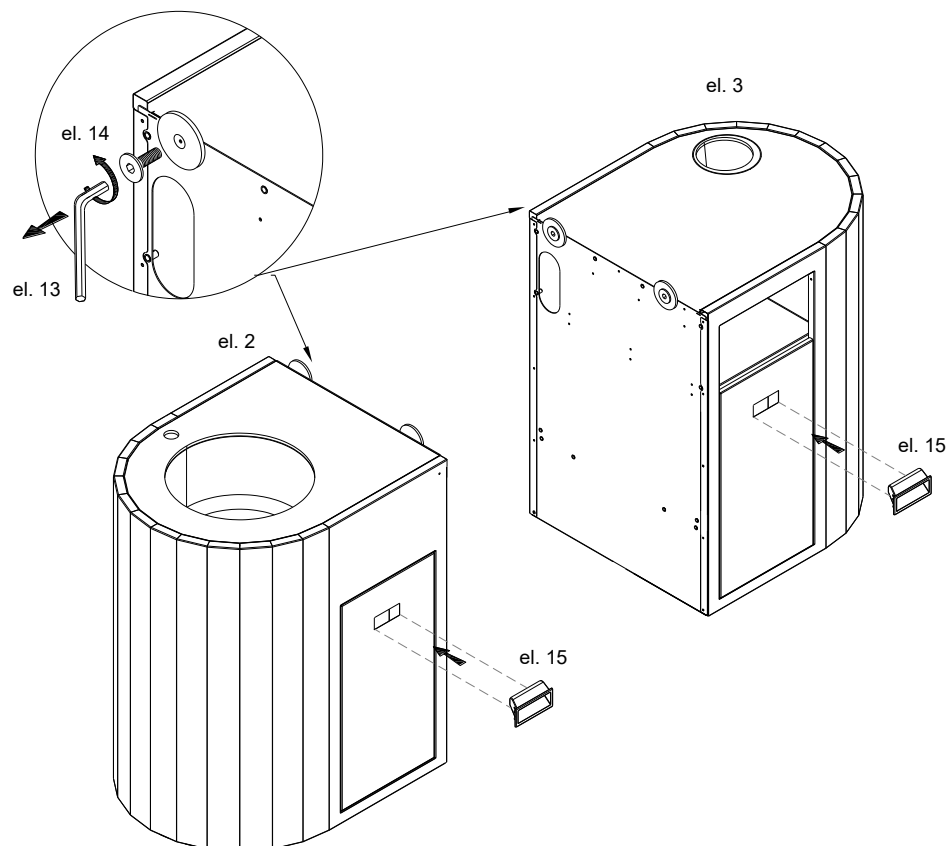


Level the product using flat spanner.

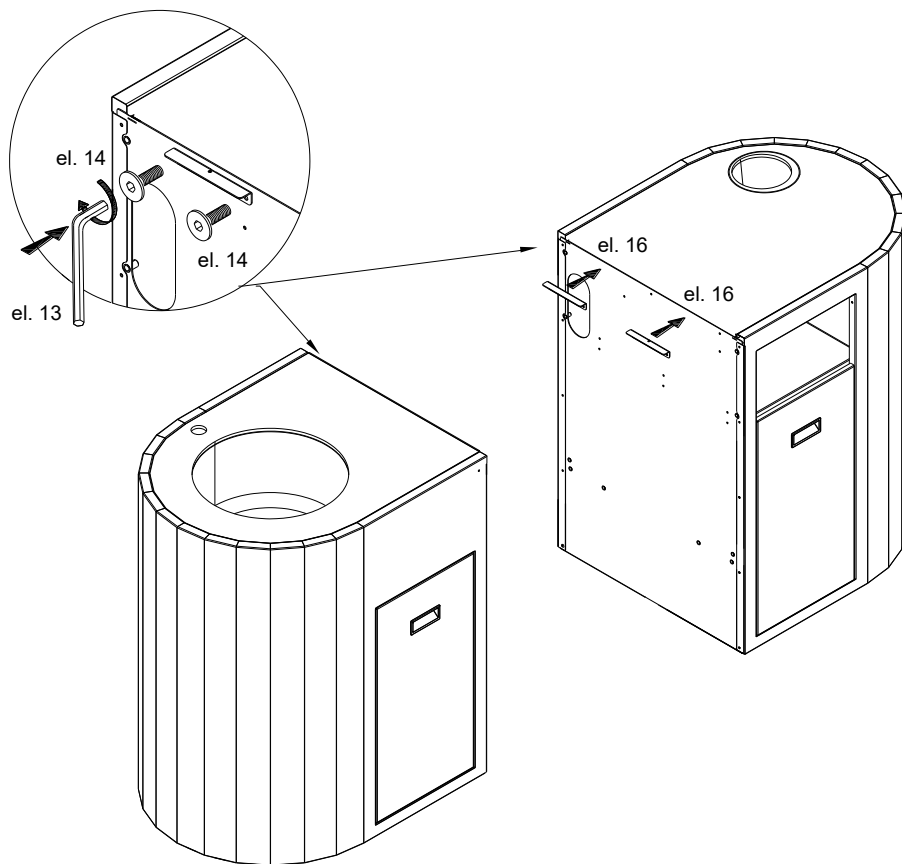
### 5.3. OVO GL



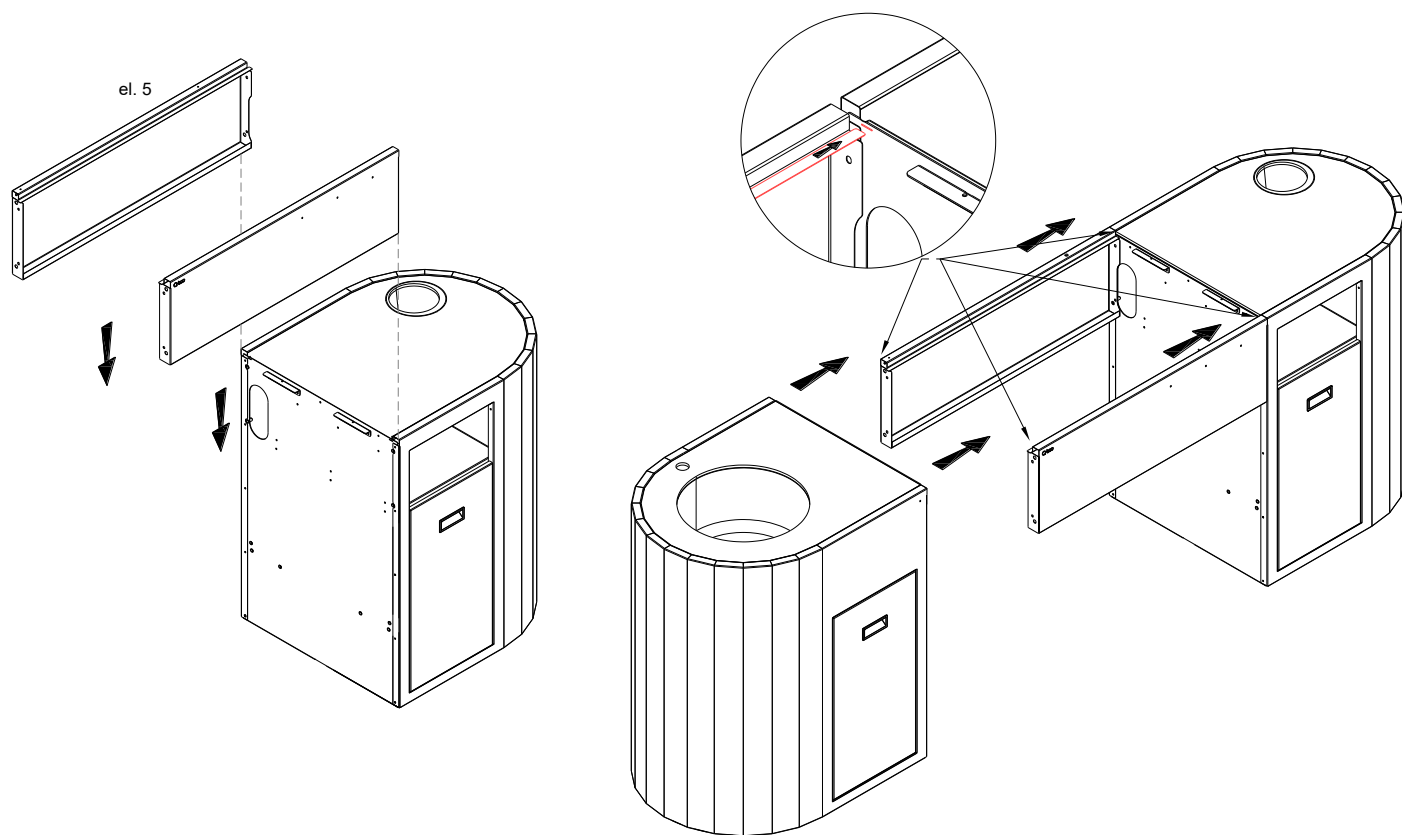
Product overview and overall dimensions of OVO model GL.



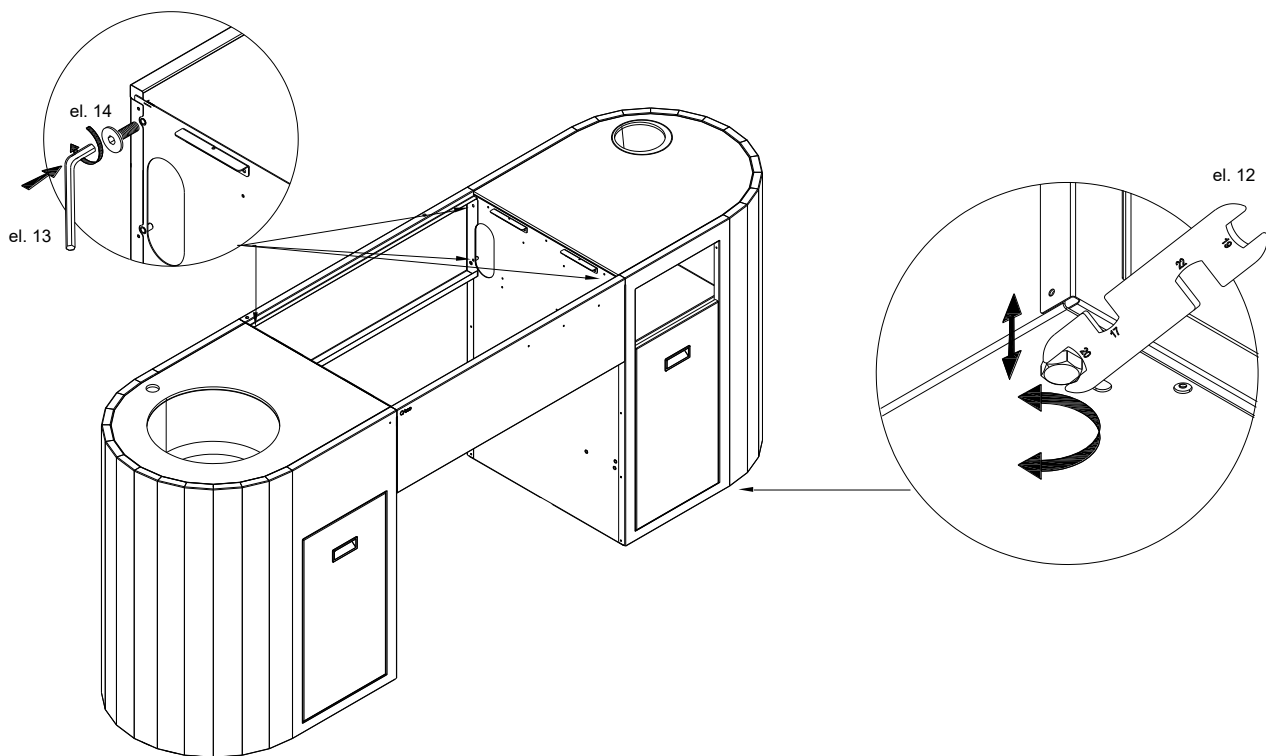
Carefully unpack the product from the pallet and remove the transport protection corners, cardboard and folie covers. Put the side modules on flat, paved (leveled) surface and then unscrew the transportation holders holding stone cladding (Screws and holders are only dedicated for securing the stone cladding and will not be used for further steps). Check that the stone worktop is correctly seated in the product's structure and adjust its position if necessary. Put the door handle in dedicated slots.



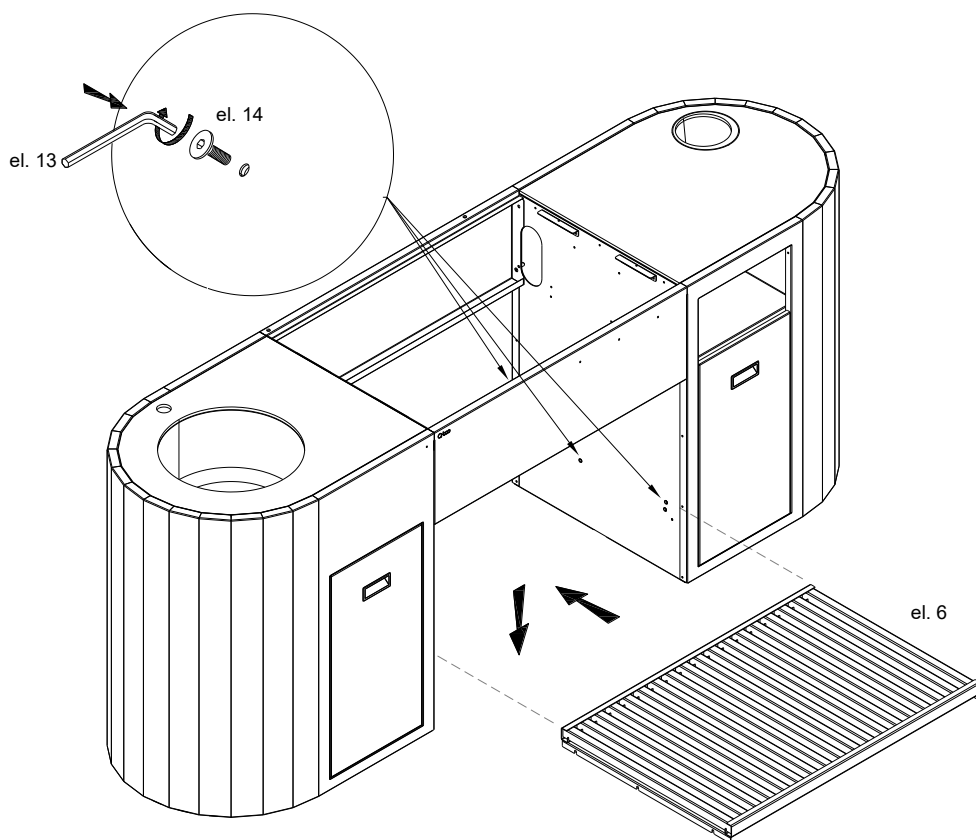
Screw on the supporting brackets on both modules making sure it will be placed as on drawing. Use dedicated allen wrench.



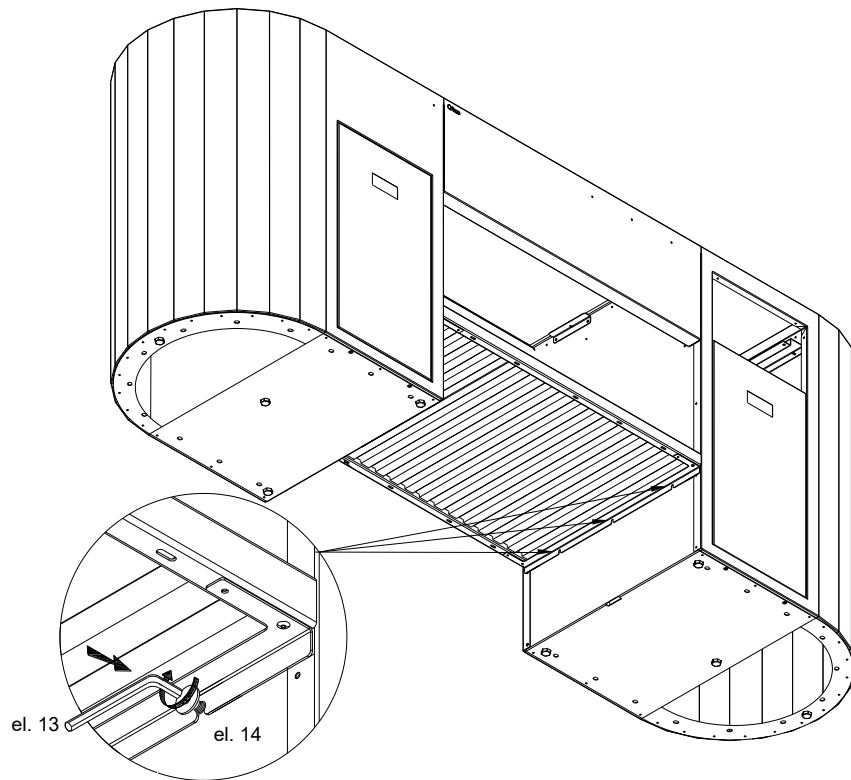
Place the front and back cover between the side modules sliding them in (fitting locking elements in dedicated holes)



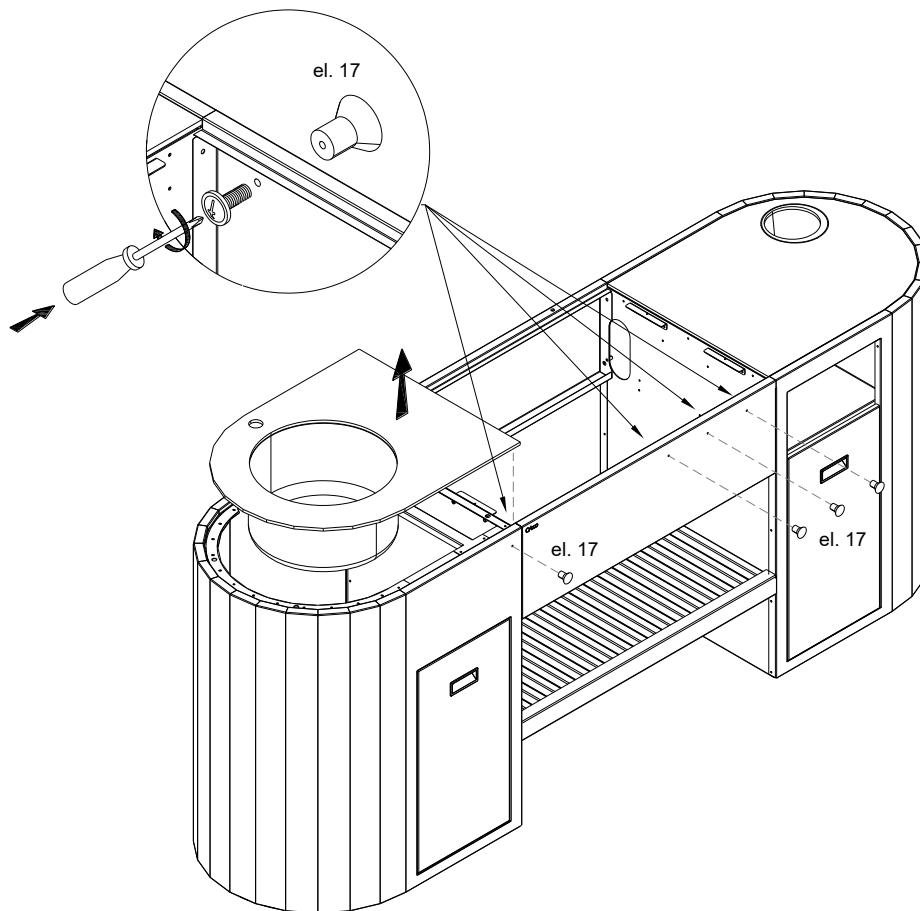
Pre-fasten the panels to the side modules using screws and an Allen key. Insert the door handle into the designated holes. Once the unit is fully assembled and pre-levelled, tighten the screws securely.



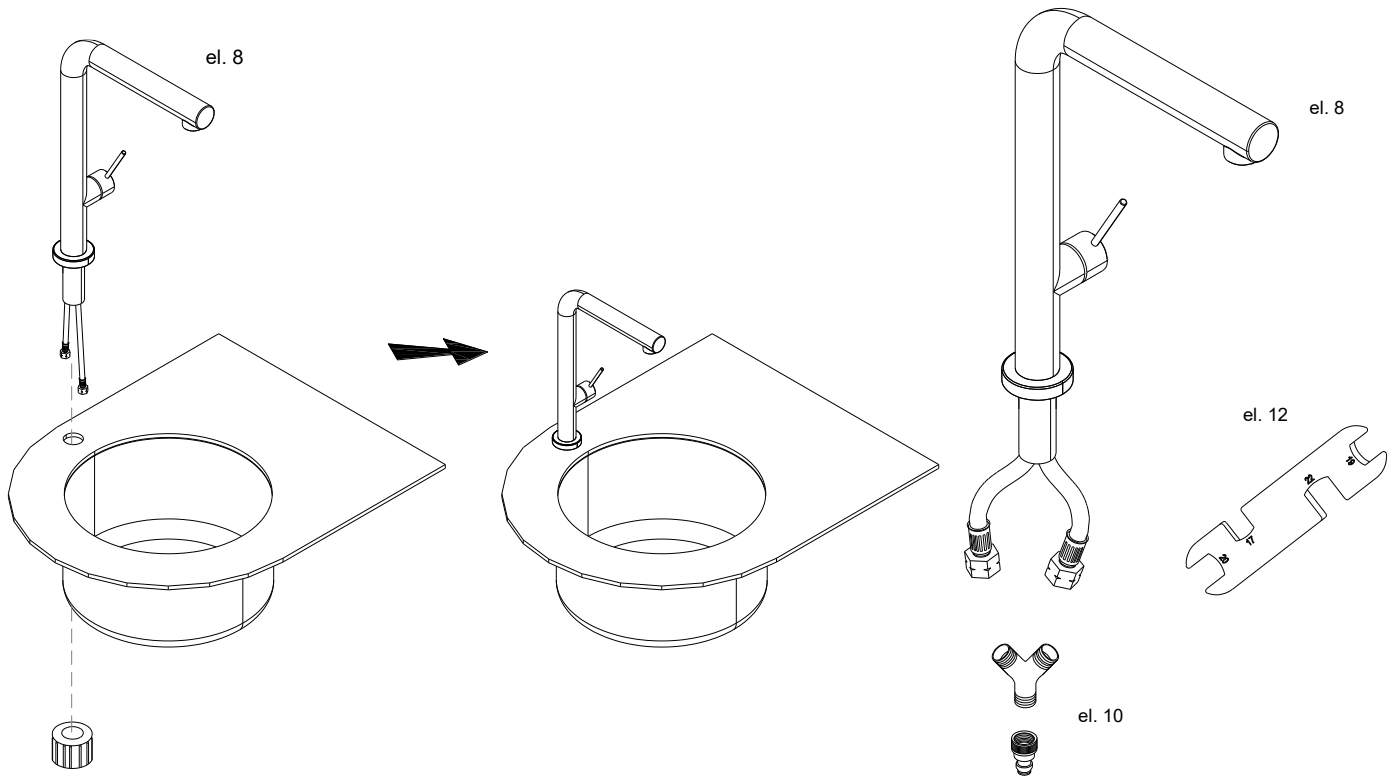
Place the wooden shelf on pre-screwed (1 -1,5 round) screws.



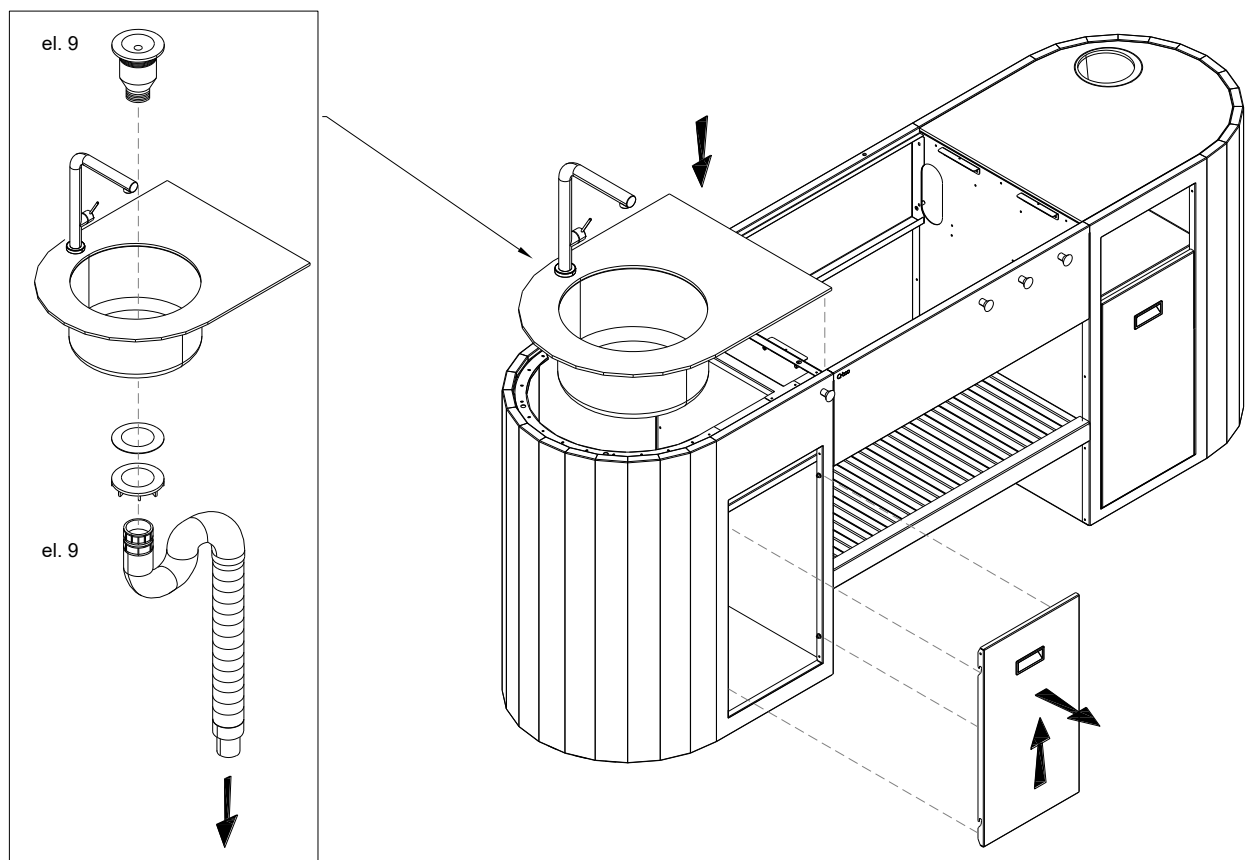
Secure wooden shelf using screws and allen wrench.



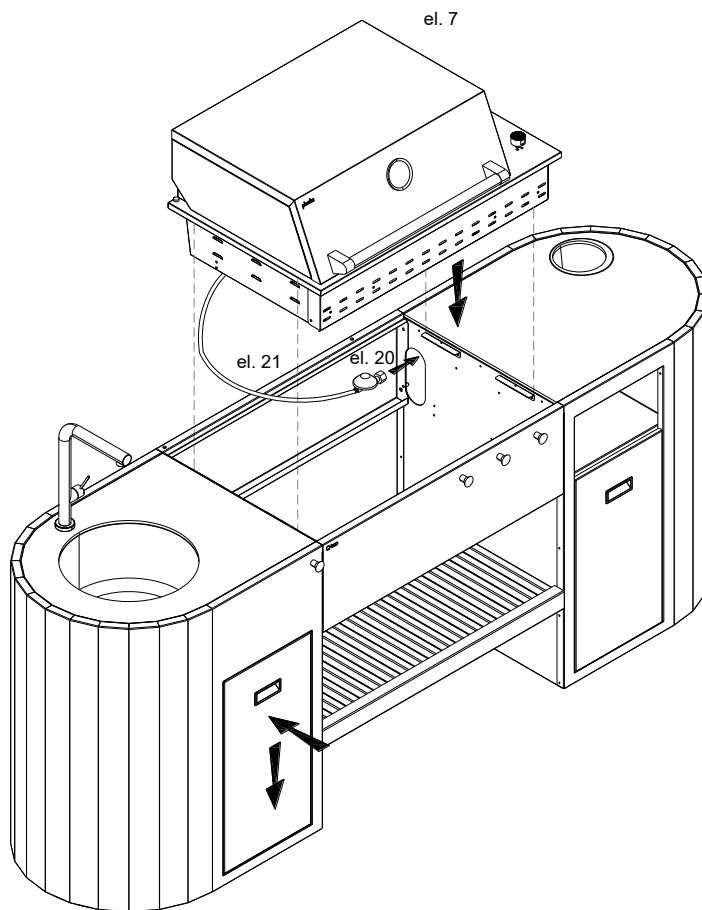
Install the accessory holder on place and secure it with screws (screwdriver is not included). Gently lift up the sink module and put it aside making sure the cladding stone will not crack.



Install the tap in the designated opening and tighten the fixing screw from below, ensuring the rubber seals are in place. Reinstall the sink module, ensuring proper alignment with the structure. Connect the tap to the hot and cold water supply or to the cold supply only using a T-joint. If no mains water is available, connect the tap to a garden hose using a T-joint and hose connector. Tighten all connections with a 22 mm open-end spanner.



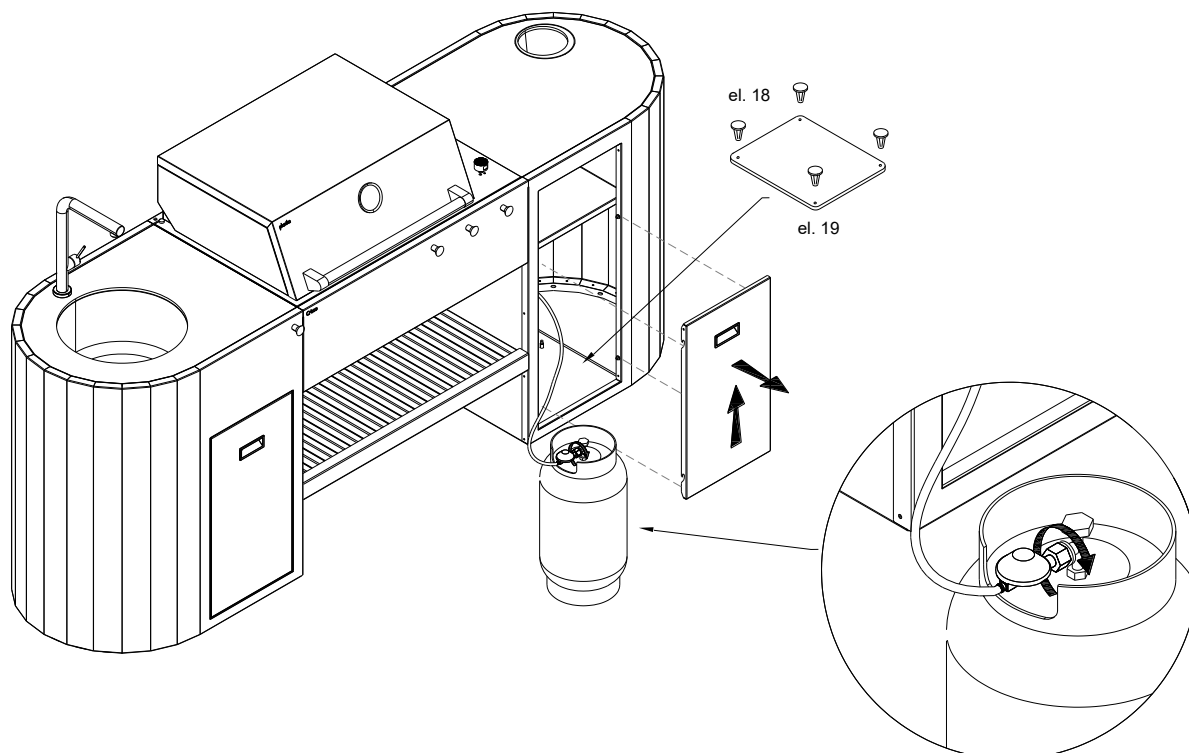
Once the unit with the sink and tap is back in place- remove the door to allow easier access to the interior of the kitchen unit. Install the trap and drain into the designated opening in the sink. Secure by tightening the fixing screw from underneath, ensuring that the rubber seals are in place. Connect the drain pipe to the unit (the drain pipe added with the product has a diameter of 32 mm)



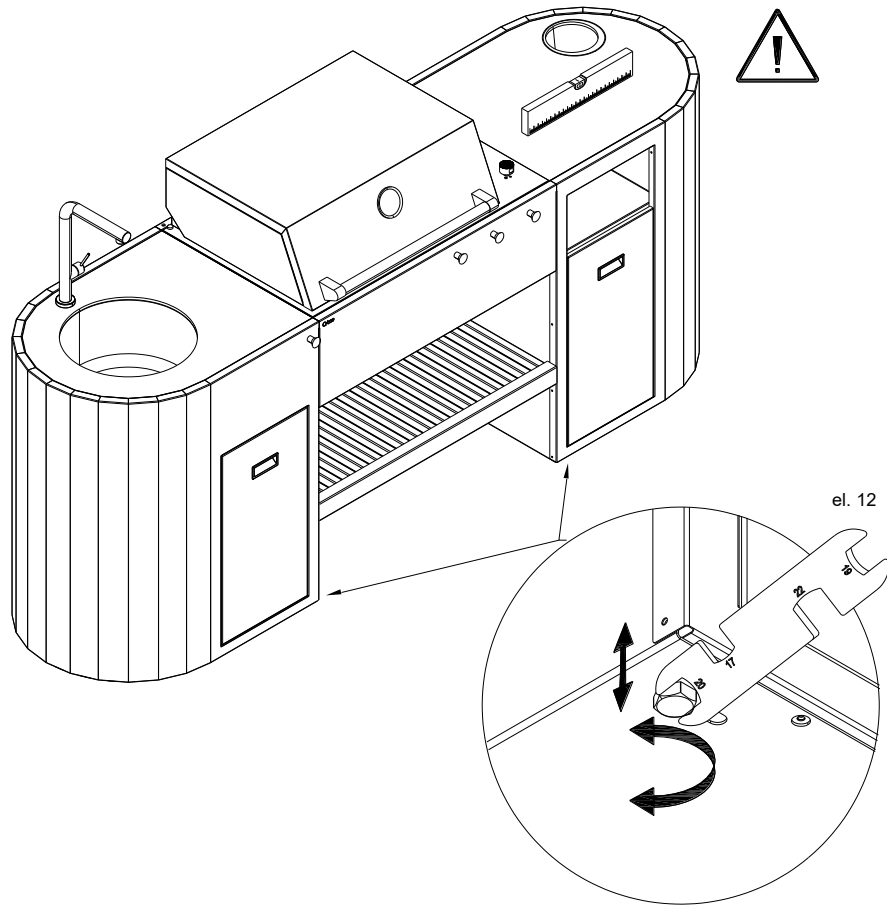
**BEFORE INSTALLING THE BBQ GRILL GO TO GAS HOSE INSTALLATION AND REGULATOR INSTALLATION**

Put the BBQ Grill on top of the supporting brackets. Led the gas hose with pressure reducer through dedicated hole if necessary. Put the door back.

**WARNING!** The device must be installed by the installer who is certified and qualified specialist in gas heating and should have all the qualifications required by local law. Failing to comply with the above condition may result in voiding the warranty.



Take off the door and connect the pressure regulator to the gas cylinder, place the mat in the kitchen module securing it with the added pins. Place the cylinder in the designated space, ensuring it stands upright. Keep the area clear of objects that could obstruct access or restrict ventilation.



Level the product using flat spanner.

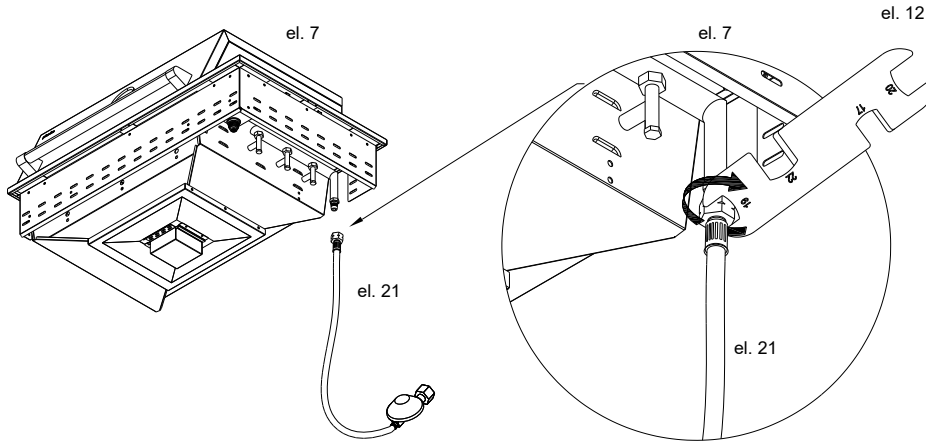
## 6. GAS CONNECTION

### 6.1. Gas hose installation

The product is delivered together with an elastic gas linkage which, on one end is dedicated to be connected to the valve of the device and on the other end to the gas regulator.

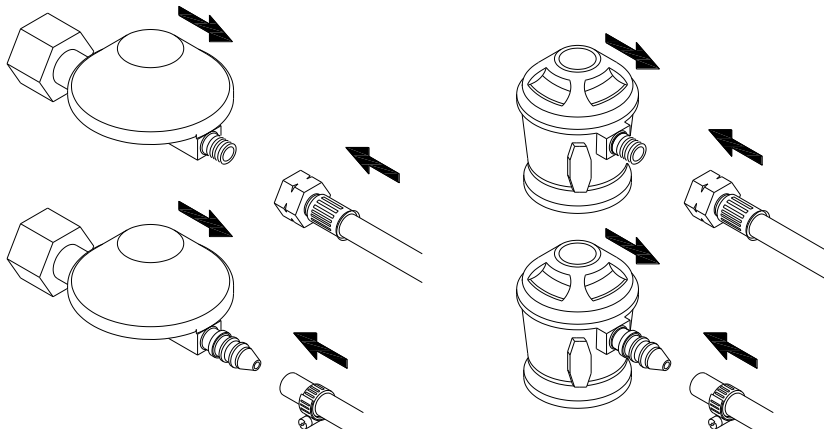
Elastic gas linkage must be secured to the BBQ grill inlet connection (located on bottom) using the supplied 19 mm open-ended spanner. Before tightening, ensure that the gas hose is fitted with a rubber seal

One needs to control the expiry date of both of the regulator as well as the gas linkage and if necessary (for instance: broken, cut, scratched linkage) replace the components for new ones according to national standards and norms.

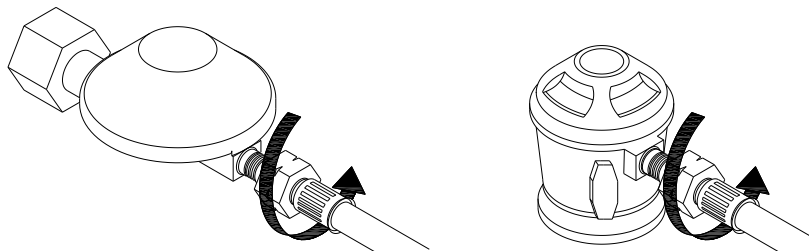


### 6.2. Regulator installation / replacement

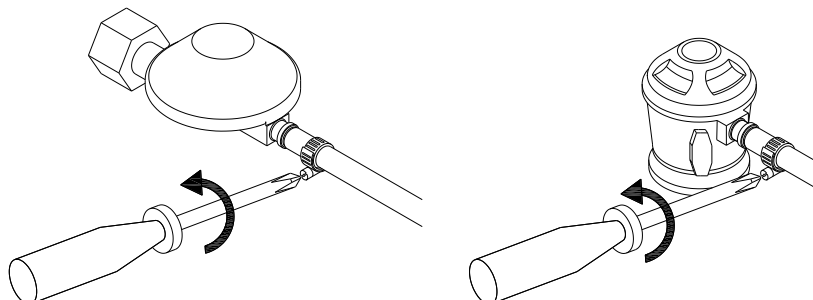
Turn off the BBQ. The main burner need to be turned off.



Install regulator using flat spanner size 17



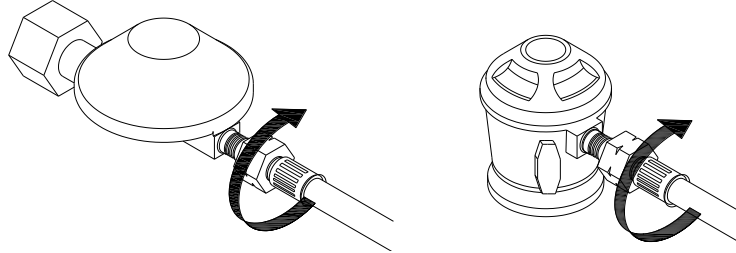
Tighten the pressure reducer by screwing it with the hose



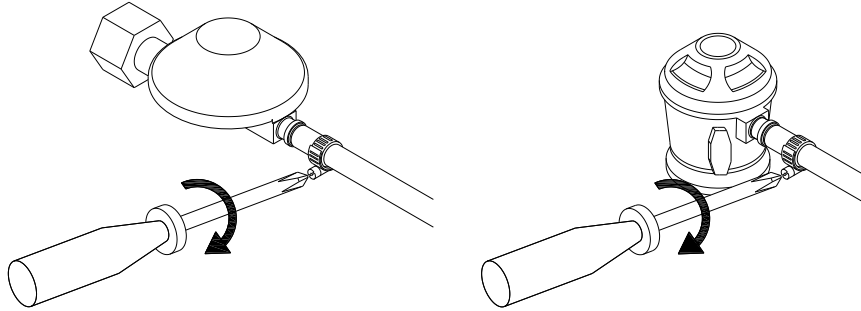
Or tighten the clamp with screwdriver (philips) or a flat wrench.

**WARNING! In the event of visible damage on the clamp, replace it for a new one.**

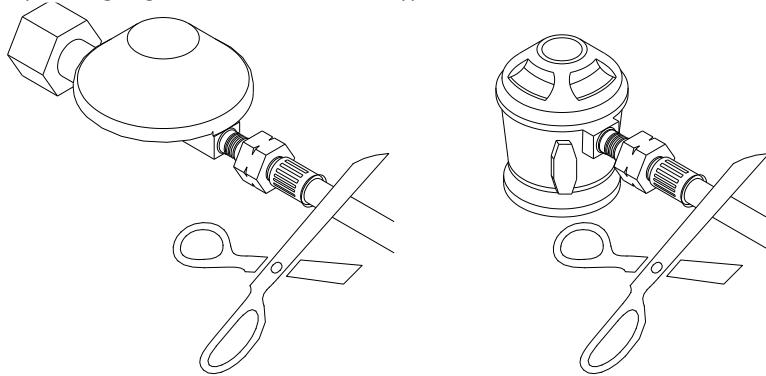
To replace the pressure regulator -disconnect the regulator from the gas bottle by:



Unscrewing the gas regulator if you are going to use G1/4"-LH thread type connection.



Or loosening the metal clamp if you are going to use barb connection type



Or cutting off attached pressure reducer if you are going to use barb connection type but the gas hose is made with thread connection

**WARNING This will make it impossible to reconnect the reducer using a threaded connection.**

Next, follow the steps on the previous page and replace the regulator to new one.

### 6.3. Safety instruction regarding gas cylinder usage

- Use only the type of gas and pressure specified by the manufacturer.
- The gas cylinders should always be placed in a vertical position – during use and transport.
- Always store the gas cylinder in an easily accessible place to allow its immediate turn-off.
- Change the gas cylinder in a amply ventilated area, away from any ignition source (candle, cigarettes, other flame producing appliances).
- Do not obstruct the ventilation holes of the cylinder housing.
- In the event of gas leakage, the appliance shall not be used or if alight, the gas supply shall be shut off and the appliance shall be investigated and rectified before it is used again.
- During the installation process do not allow an open flame or any ignited object to reach the gas cylinder.
- Leaks should be found with the use of a cleaning liquid and water. If bubbles form on the surface that means that a there's an existing leak.
- Always use a pressure regulator between the gas cylinder and the device. Replace the pressure regulator every 5 years. The allowed pressures are: 30mbar, 37mbar (recommended). Use only regulators complying with the European EN16129 Norm.
- Use only approved and certified gas connection linkage. Replace the linkage every 2 years.
- Check the flexible hose at least once per month and each time the cylinder is changed. If it shows signs of cracking, splitting or other deterioration it shall be exchanged for new hose of the same length and of the equivalent quality.
- Do not connect the gas cylinder directly to the appliance without regulator.
- The tubing or the flexible hose must be changed within the prescribed intervals.
- The elastic linkage connecting gas to the fireplace is to be led away from sharp edges and hot surfaces. Refrain from bends and twists of the elastic connection on its full length.
- Remember that the LPG bottle should be stored in a well-ventilated place. LPG gas is heavier than air and its accumulation near the surface may generate an explosive mixture.