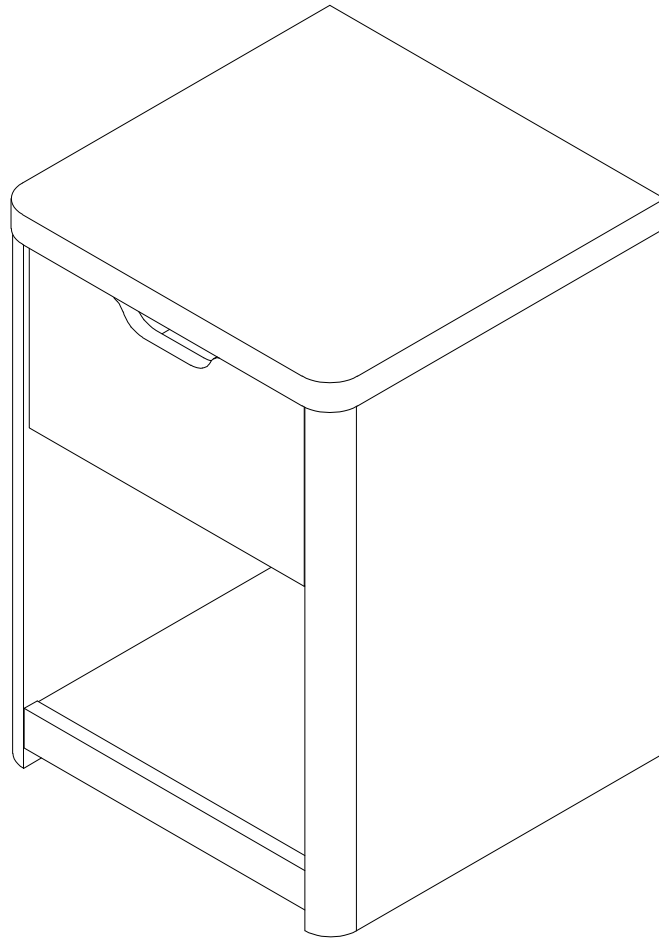


1 DRAWER BEDSIDE CHEST



Dimensions	No. people	Assembly Time
Width: 39.00cm Depth: 39.00cm Height: 56.50cm		45 Mins (approx.)



Important - Please read these instructions fully before starting assembly

Safety and Care Advice

Important - Please read these instructions fully before starting assembly

- Check you have all the components and tools listed on next pages.
- Remove all fittings from the plastic bags and separate them into groups.
- Keep children and animals away from the work area, small parts could choke if swallowed.
- Make sure you have enough space to lay out the parts before starting.
- Do not stand or put weight on the product, this could cause damage.
- Assemble the item as close to its final position (in the same room) as possible.
- Assemble on a soft, level surface to avoid damaging the unit or your floor.
- We do not recommend the use of power drill/drivers for inserting screws, as this could damage the unit. Only use hand screwdrivers.
- Dispose of all packaging carefully and responsibly.
- Warning : Do not over tighten the handle screw that way break the mirror.



Care and Maintenance

- Please clean using cloth with glass cleaner, do not use bleach or abrasive cleaners.
- From time to time check that there are no loose screws on this unit.
- This product should not be discarded with household waste. Take to your local authority waste disposal centre.

•Assemble all parts and bolts loosely during assembly,only once the product is complete should you fully tighten the bolts

•Regularly check and ensure That all bolts and fittings are tightened properly.

WARNING

In order to help prevent overturning- please follow these instructions

To help prevent product toppling over please follow the below steps:-

Use the anti tip stap or wall fixing method provided (if applicable)

Do not allow children to climb or hang on the furniture

Do not open more than one drawer at a time

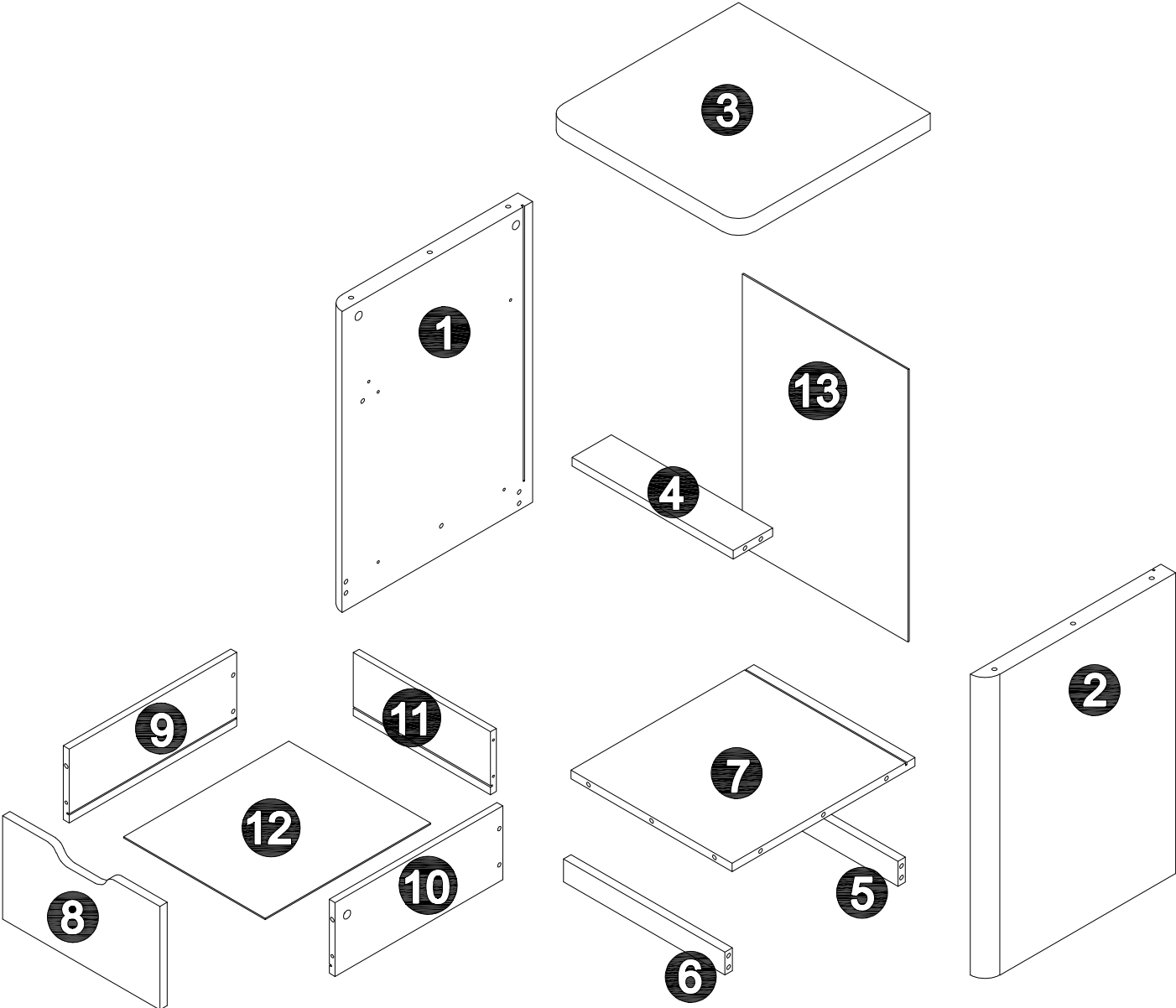
Do not place heavy items in the top drawers

Do not place heavy items on top of the furniture, unless the furniture has been designed for this purpose

please note that only the anti tip strap is provided.

You will need to provide wall plugs and screws applicable for your wall type

Exploded View



Components - Panels

Please check that you have all the components listed below before constructing your items.




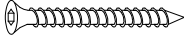


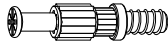
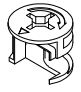
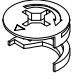
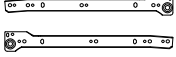

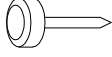
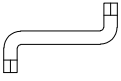
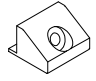
Part No	Description	Qty
1	Side Panel (Left)	1
2	Side Panel (Right)	1
3	Top Panel	1
4	Shelf Panel (Center)	1
5	Bottom Panel (Back)	1
6	Bottom Panel (Front)	1
7	Shelf Panel (Bottom)	1
8	Drawer Front	1
9	Drawer Side (Left)	1
10	Drawer Side (Right)	1
11	Drawer Back	1
12	Drawer Bottom	1
13	Back Panel	1

Components - Fixings

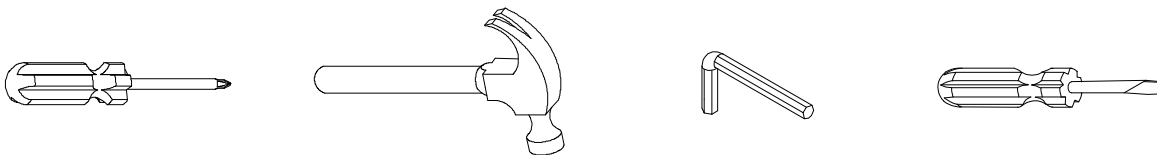
Please check that you have all the components listed below before constructing your items.

Note: The quantities below are the correct amount to complete the assembly. In some cases more fittings may be supplied than are required.

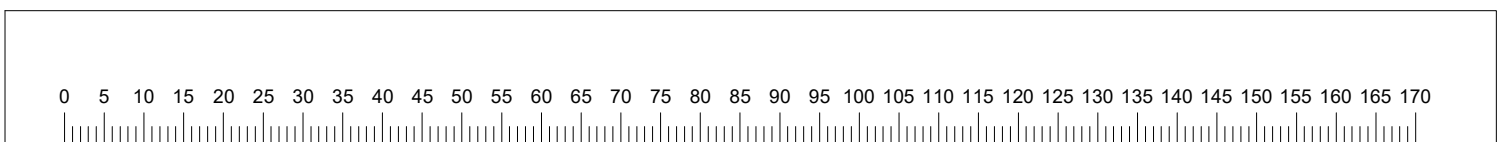
***Hardware packed separately according to the code.**

(A)	CSK M3.5 X 12MM	(B)	CSK M3.5 X 15MM	(C)	EURO SCREW M6 X 9MM	(D)	JCBC(W) M6 X 40MM
							
	4 unit		4 unit		4 unit		4 unit
(E)	WOOD DOWEL Ø6 X 20MM	(F)	WOOD DOWEL Ø8 X 25MM	(G)	BOLT DOWEL 20 X 5MM	(H)	CAM 15/15
							
	2 unit		17 unit		13 unit		11 unit
(J)	CAM 15/12	(K1) & (K2)	DRAWER SLIDE (300MM)	(L1) & (L2)	DRAWER SLIDE (300MM)	(M)	PLASTIC LEG STUD
							
	2 unit		1 sets		1 sets		4 unit
(N)	ALLEN KEY M4	(P)	BACKPLY STOPPER				
							
	1 unit		4 unit				

Tools Required



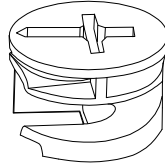
Ruler - Use this to measure your screws (mm)



Using Camlocks

SPECIAL TIPS FOR FITTING CAM-LOCKS AND CAM-BOLTS

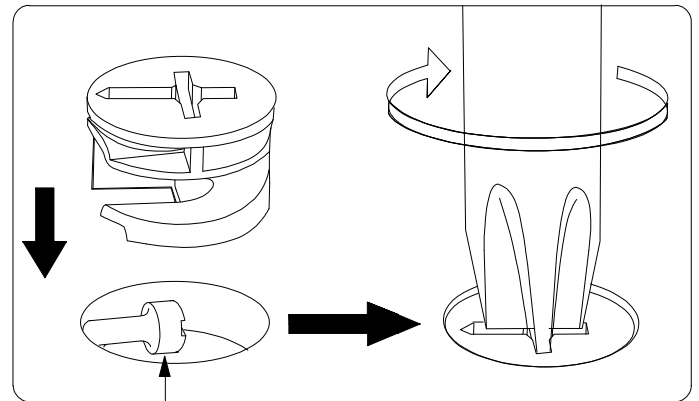
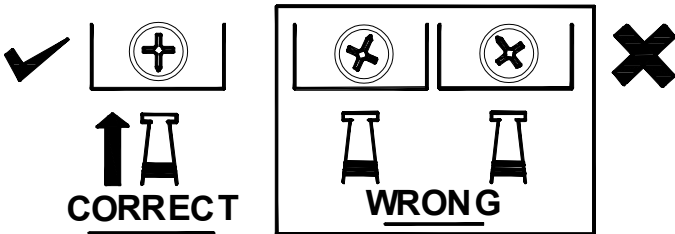
CAM-LOCK



Align with long point of cross

WHEN FITTING CAMS

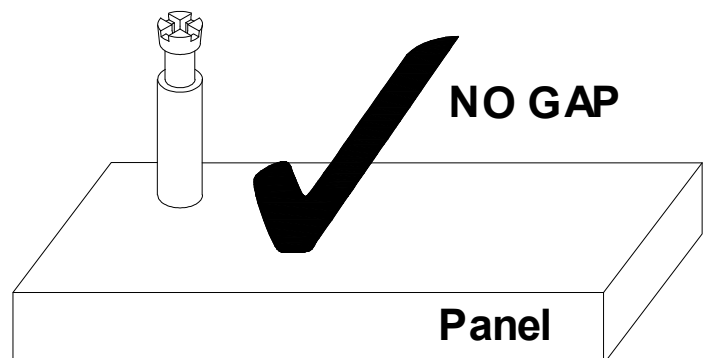
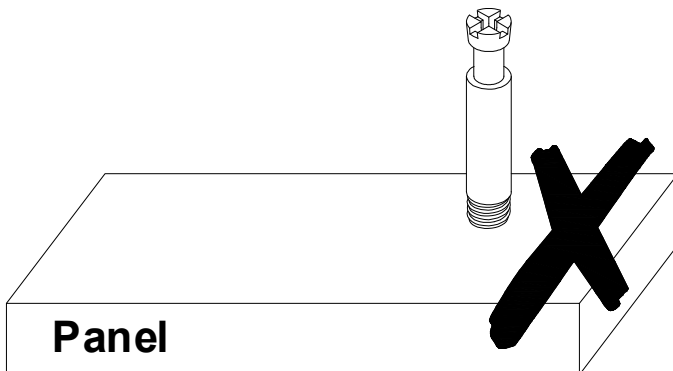
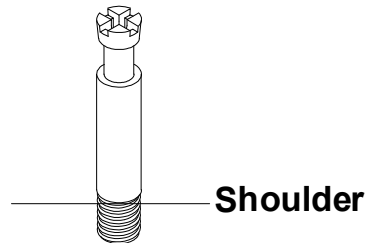
ENSURE STARTING POSITION IS CORRECT
BEFORE YOU INSERT CONNECTING CAM-BOLTS
TURN CLOCKWISE UNTIL SECURE



Lock head needs to be in centre

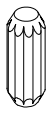

CAM-BOLT

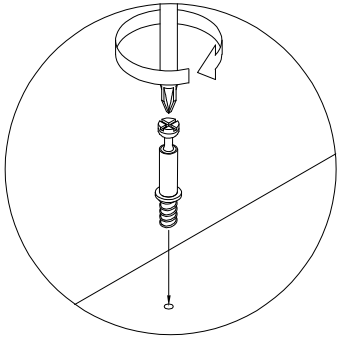
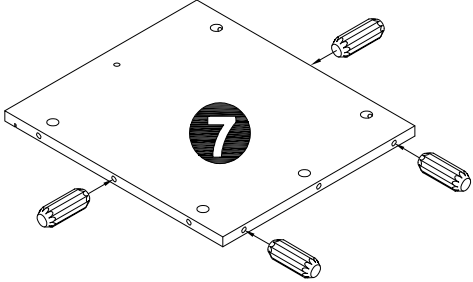
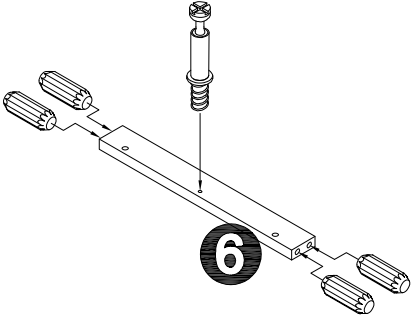
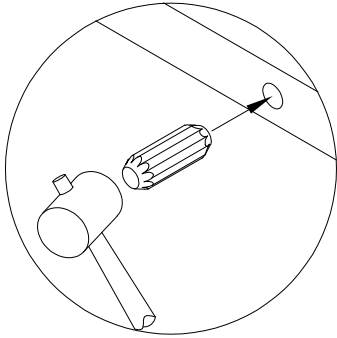
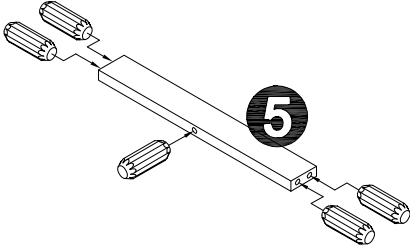
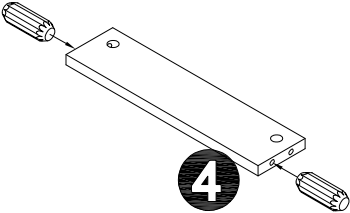
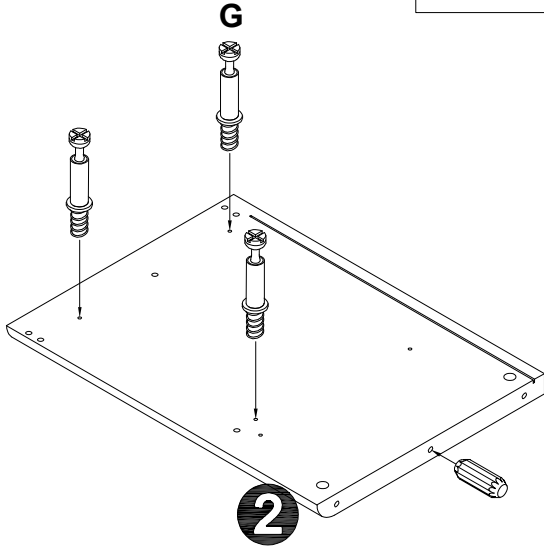
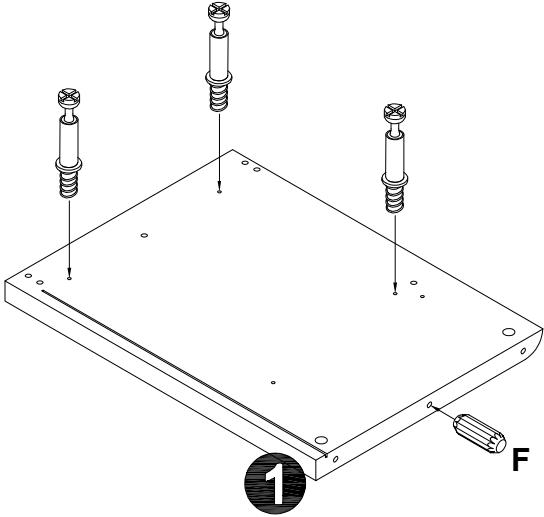
Tighten until shoulder is flush with panel. Do not overtighten or undertighten (see example below)



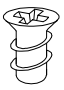

Assembly Instructions

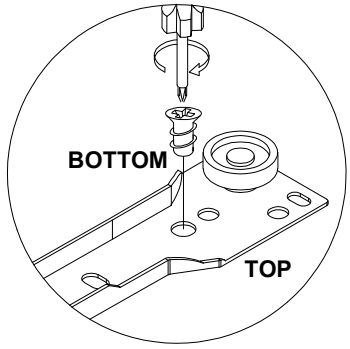
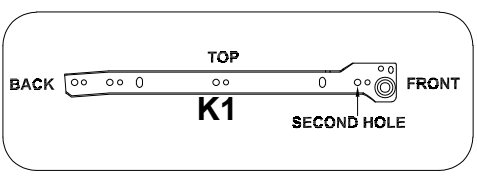
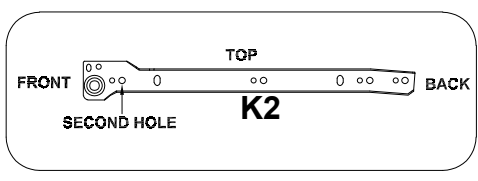
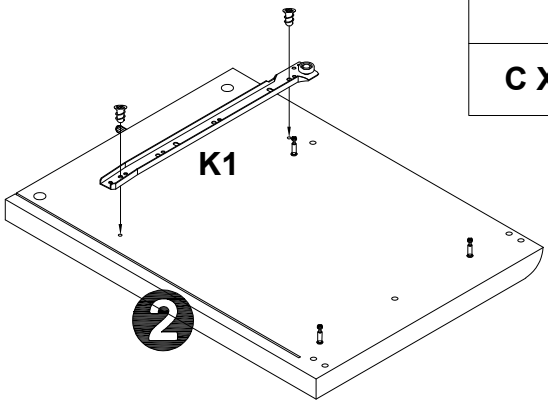
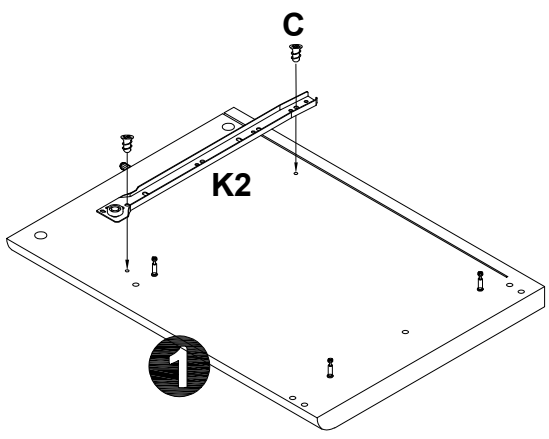
Step 1

	
FX 17	GX 7



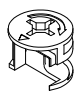
Step 2

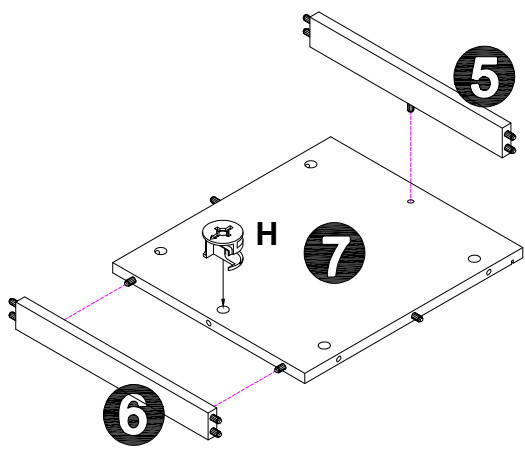
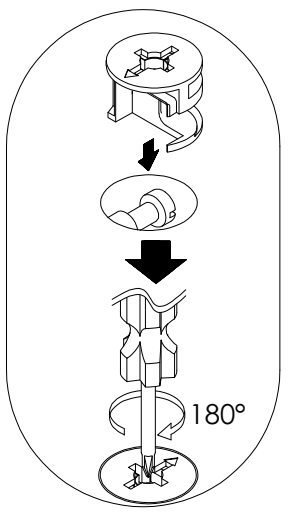
	
C X 4	K1 & K2 X 1 SET



PLEASE ENSURE TO FIX THE SCREWS AS PER POINTED HOLES INSTRUCTION TO AVOID DISTORTION OF OVERALL LOOK OF PRODUCTS.

Step 3

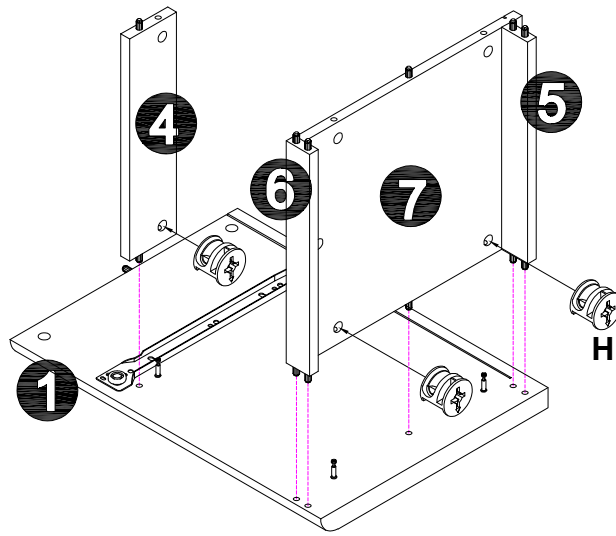
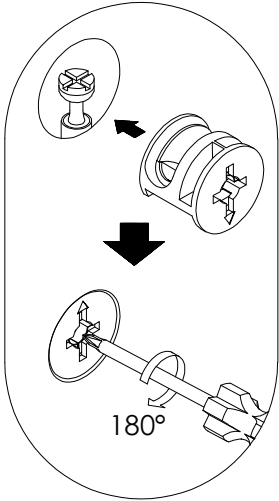

H X 1



Step 4



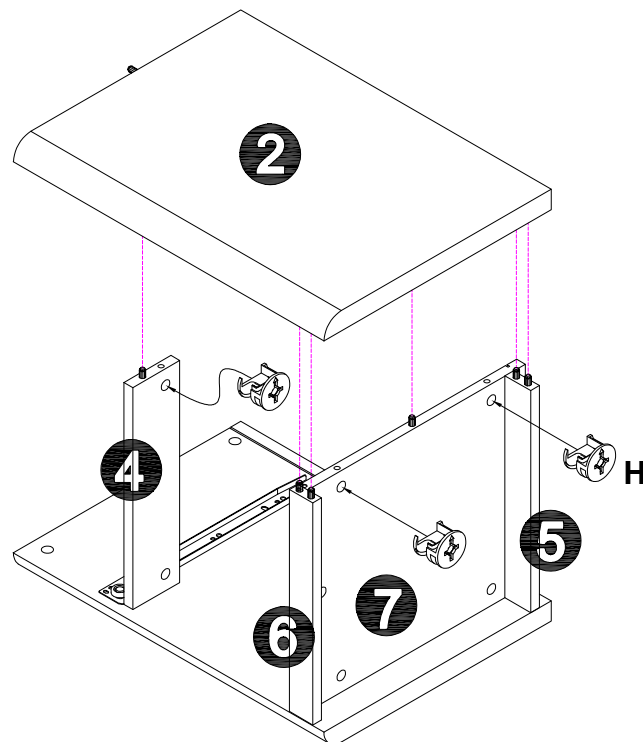
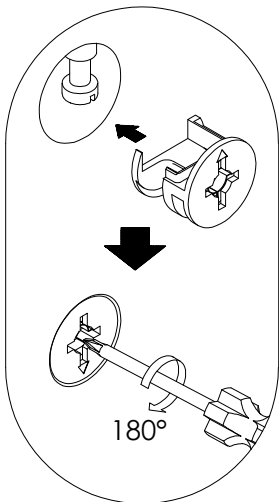
H X 3



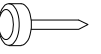
Step 5



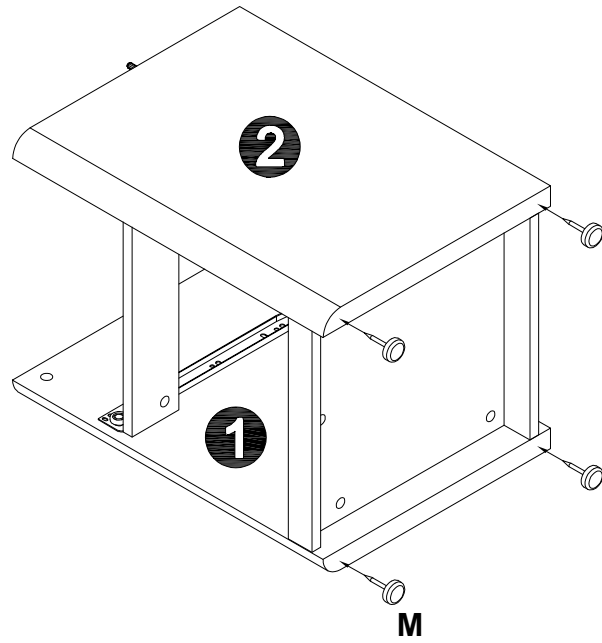
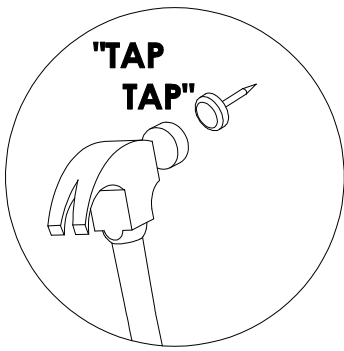
H X 3



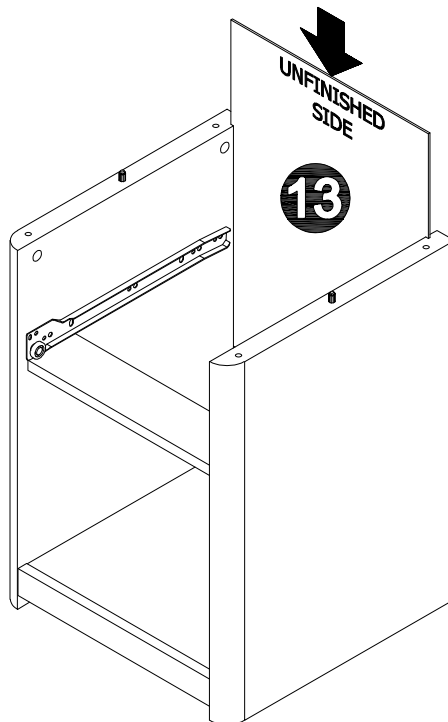
Step 6



M X 4



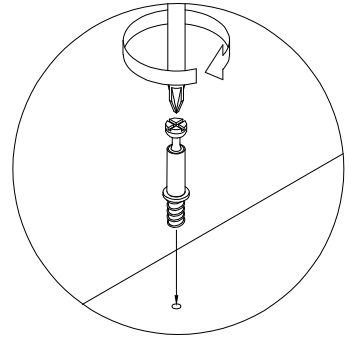
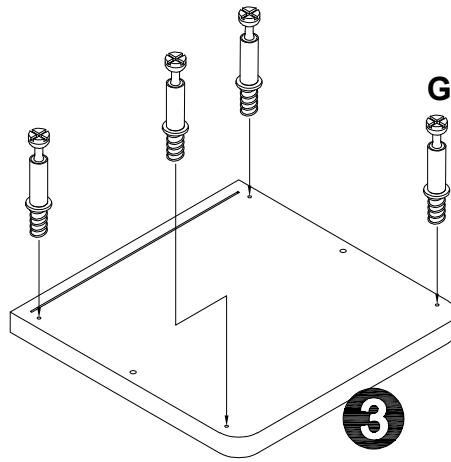
Step 7



Step 8



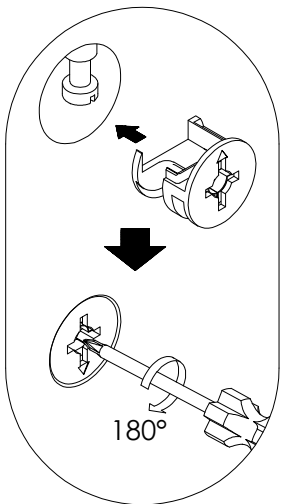
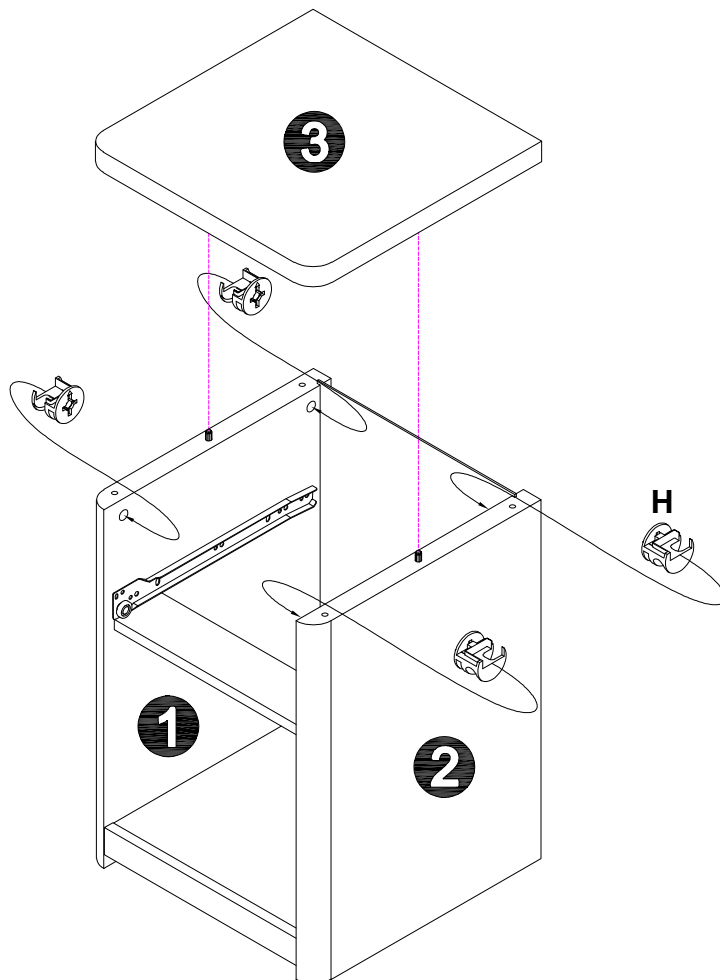
G X 4



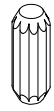
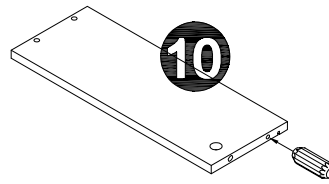
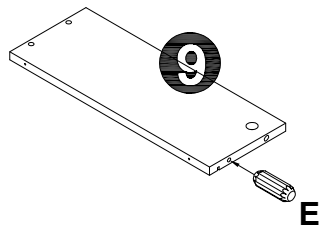
Step 9



H X 4



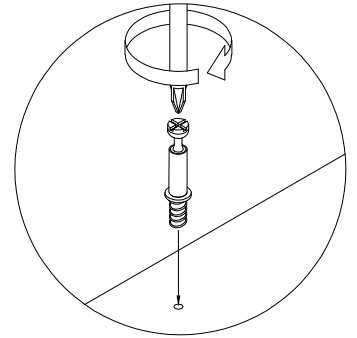
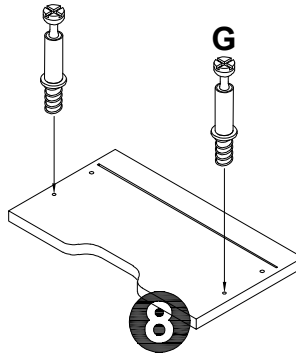
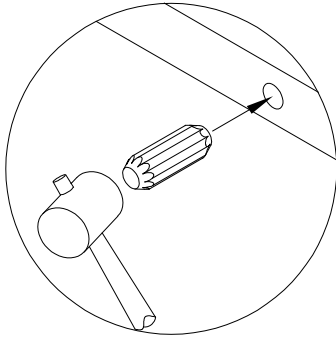
Step 10



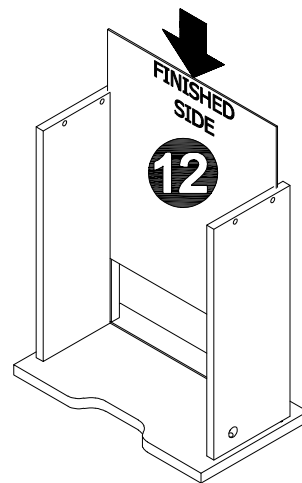
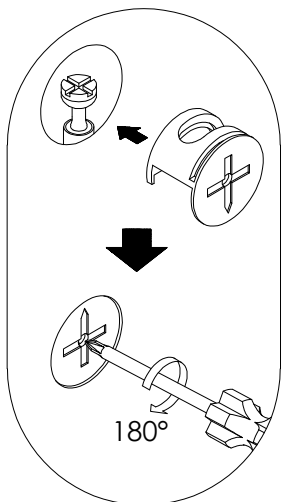
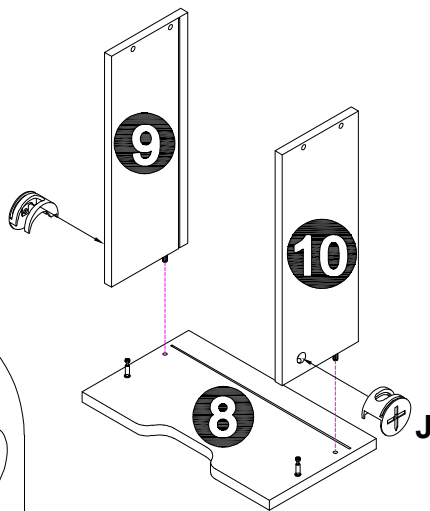
EX 2



GX 2

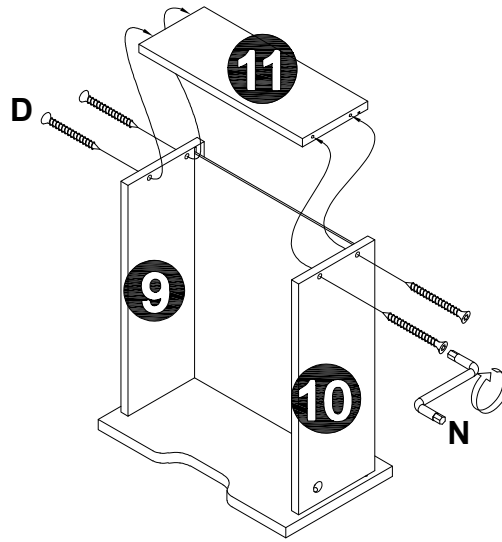


Step 11



JX 2

Step 12

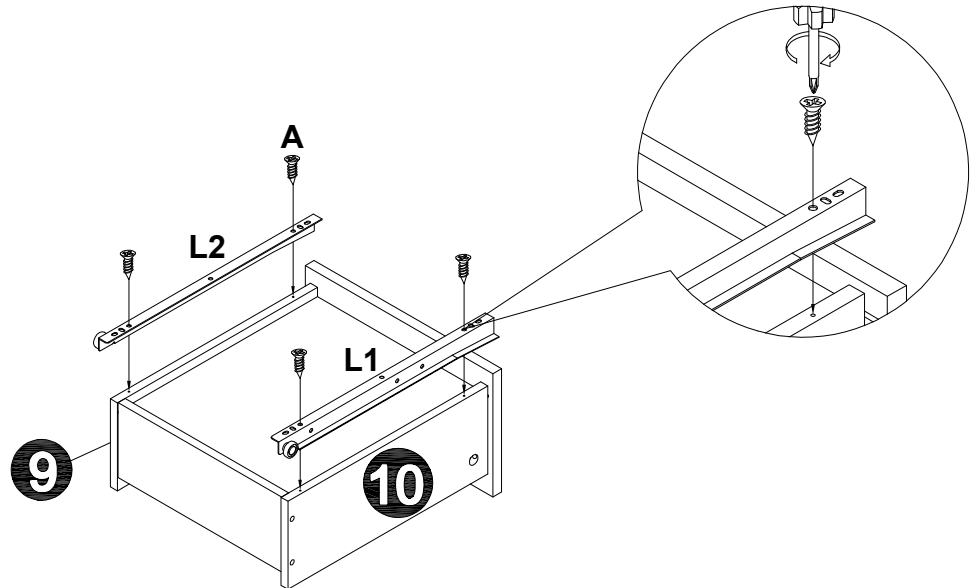


D X 4



N

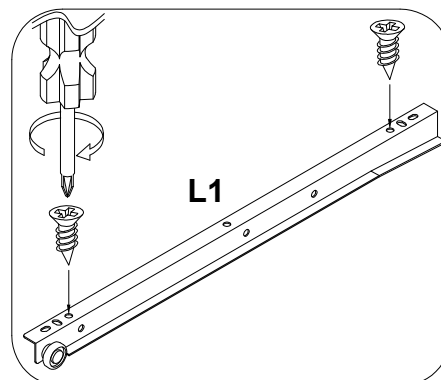
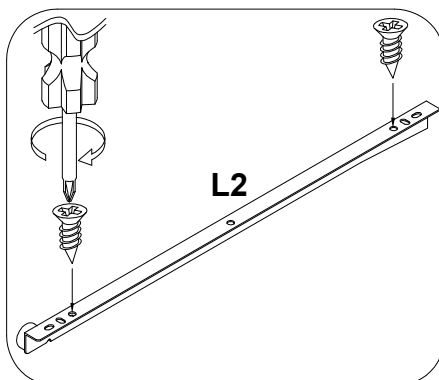
Step 13



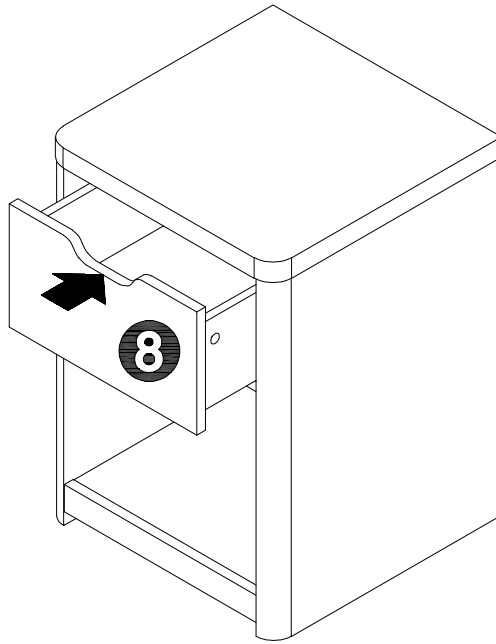
A X 4



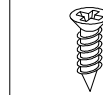
L1 & L2
X 1 SET



Step 14

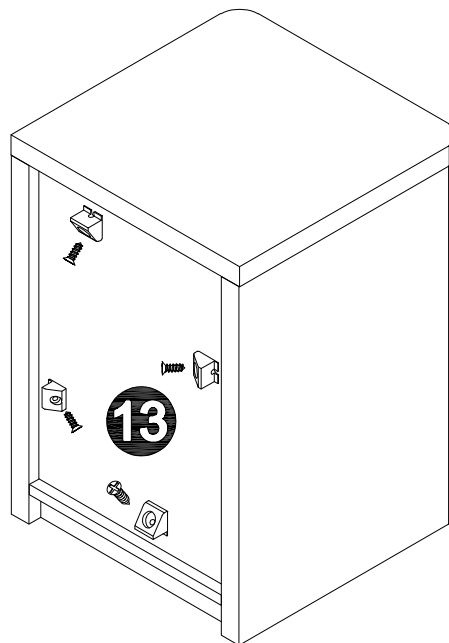
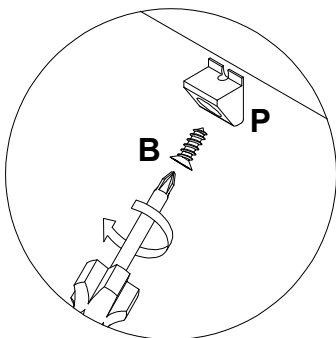


Step 15



B X 4

P X 4



Step 16

WALL

