

## Product information sheet VICUS BRIDGE TWIN LEVER

Item no. 524282

### Benefits

---



- Classic design with modern functionality
- High quality ceramic seals and cartridge for extremely longlasting operation
- Available in four different finishes

### Colours

---



Available colours:

- pewter
- chrome
- brushed brass
- brushed copper

galvanic brushed brass

## Planning information

---

- Please note
- two Ø 30 mm tap holes are required for mounting

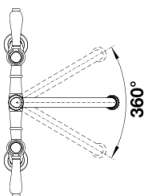
## Scope of supply

---

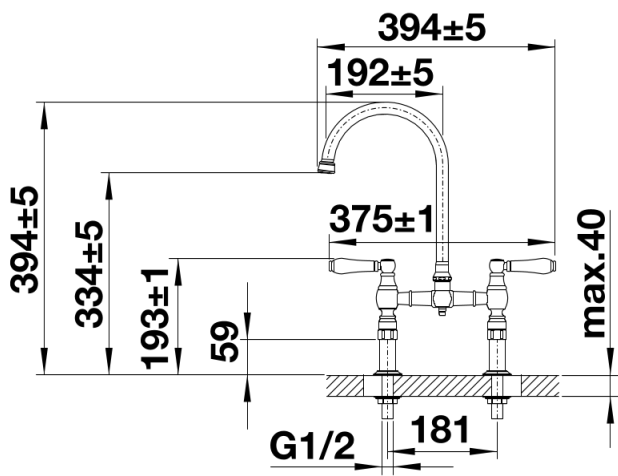
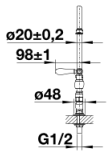
- Twin lever mixer tap with swivel spout and bridge  
Two tap holes required  
High quality ceramic seals and cartridge for extremely longlasting operation  
Suitable for low pressure gravity and pressurised systems min 0.3 bar max 50 bar  
Swivel spout with 192mm reach

## Details

---



## Swivel range



Side view