

Specifications:

Installation:	Vanity-top
Exterior Dimensions:	58" w x 17 1/2" d x 6 1/4" h
Material:	Solid surface
Weight:	Matte white - 85 lbs Gloss white - 88 lbs
Overflow:	Yes
Finishes:	001M - Matte white 001G - Gloss white
Faucet Holes:	00 - no hole 01 - one centered hole 02 - two hole - center and right, 4" spread 03 - three hole, 8" spread
Cutout Size:	22" x 17" (template available upon request)
Faucet Hole Size:	Ø 1 3/8"
Drain Hole Size:	Ø 1 3/4"

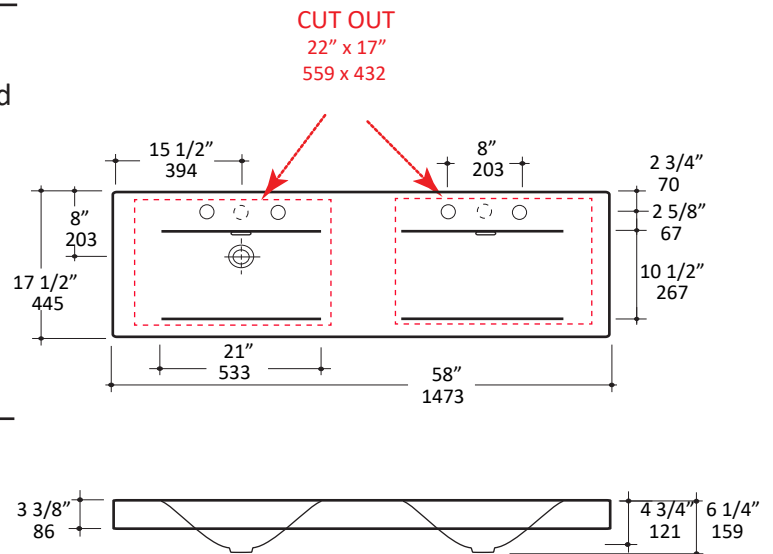


Features:

- Solid surface sink with overflow
- Most standard American drains can also be used
- Finished back
- Unfinished bottom
- Material is heat, stain, scratch, chemical, and impact resistant

Codes + Standards:

- Meets and exceeds applicable national codes and standards



Recommended Items:

- European drain with overflow
 - 7100-12
 - 7100-13OF
 - 7100-16OF