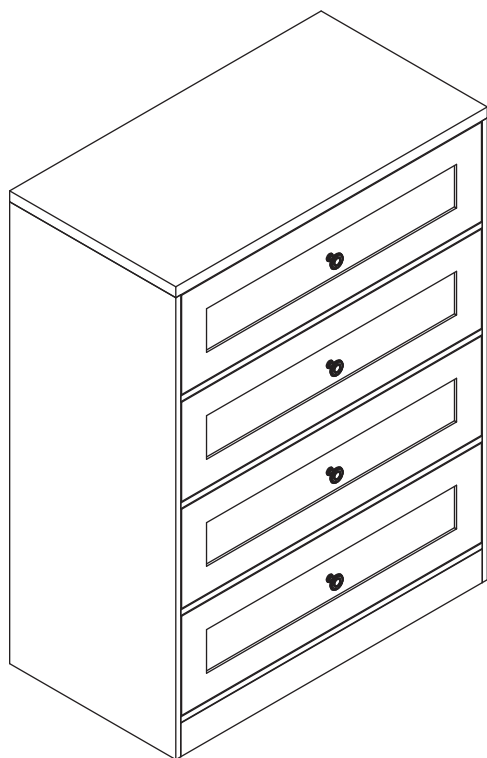


# 4 DRAWERS CHEST

Instruction manual



# CONTENTS

---

Safety and care advice	<b>1</b>
Components – panels	<b>2</b>
Components – fittings	<b>3</b>
Assembly instructions	<b>4</b>
Copyright	<b>15</b>

---

# ⚠ SAFETY AND CARE ADVICE ⚠

---

PLEASE READ THESE INSTRUCTIONS CAREFULLY AND KEEP FOR FUTURE REFERENCE

**Warning:** Please lift with care.

- Check you have all the components and tools listed on pages 2 and 3.
- Remove all fittings from the plastic bags and separate them into their groups.
- Keep children and animals away from the work area, small parts could choke if swallowed.
- Make sure you have enough space to layout the parts before starting.
- Do not stand or put weight on the product, this could cause damage.
- Assemble the item as close to its final position (in the same room) as possible.
- Assemble on a soft level surface to avoid damaging the unit or your floor (use opened out unit carton).



- We do not recommend the use of power drill/drivers **for inserting screws**, as this could damage the unit. Only use hand screwdrivers.
- Safety note:** If there is any chance of this unit being pulled over by children etc. it is recommended that the unit is secured to a wall using suitable fixings.
- Dispose of all packaging carefully and responsibly.

## CARE AND MAINTENANCE

---

- Only clean using a damp cloth and mild detergent, do not use bleach or abrasive cleaners.
- From time to time check that there are no loose screws on this unit.
- This product should not be discarded with household waste. Take to your local authority waste disposal center.

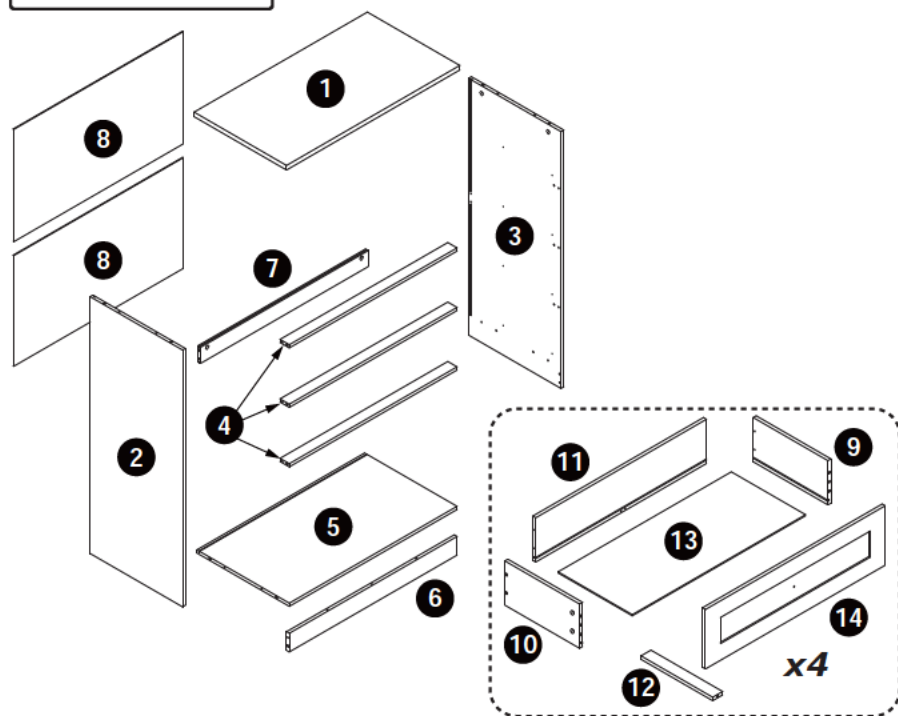
**Note:** *If required the next page can be cut out and used as reference throughout the assembly. Keep this page with these instructions for future reference*

# COMPONENTS — PANELS

Please check you have all the panels listed below:



**2 PERSON  
ASSEMBLY  
RECOMMENDED**



















## PANEL LIST

<u>PACK 1/2</u>			
1	Top Panel	x1	
2	Left Side Panel	x1	
3	Right Side Panel	x1	
5	Bottom Panel	x1	
8	Back Panel	x2	
<u>PACK 2/2</u>			
4	Front Support Bar	x3	
6	Skirt Panel		x1
7	Rear Support Bar		x1
9	Drawer Right Side Panel		x4
10	Drawer Left Side Panel		x4
11	Drawer Back Panel		x4
12	Drawer Support Bar		x4
13	Drawer Bottom Panel		x4
14	Drawer Front Panel		x4



# COMPONENTS — FITTINGS

Please check you have all the fittings listed below:

- |          |   |          |  |
|----------|---|----------|--|
| <b>A</b> |    | <b>J</b> |   |
|          | Metal Dowel x 39  |          | Metal Slide - Female Left x 4  |
| <b>B</b> |    | <b>K</b> |   |
|          | Lock (Ø15x9.5mm) x 39   |          | Metal Slide - Male Left x 4  |
| <b>C</b> |    | <b>L</b> |   |
|          | Screw (Ø4x30mm) x 24  |          | Wooden Dowel (Ø6x30mm) x 8   |
| <b>D</b> |    | <b>M</b> |   |
|          | Wooden Dowel (Ø8x30mm) x 20   |          | Foot pad x 4   |
| <b>E</b> |    | <b>N</b> |   |
|          | Screw (Ø4x20mm) x 4   |          | Safety Device x 2  |
| <b>F</b> |    | <b>O</b> |   |
|          | Handle x 4  |          | Screw (Ø3x14mm) x 4  |
| <b>G</b> |   | <b>P</b> |  |
|          | Screw (Ø3x12mm) x 32  |          | Back Support x 4   |
| <b>H</b> |  |          |  |
|          | Metal Slide - Female Right x 4  |          |  |
| <b>I</b> |  |          |  |
|          | Metal Slide - Male Right x 4  |          |  |

**TOOLS NEEDED**  
(We don't provide)

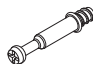






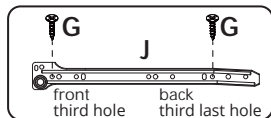
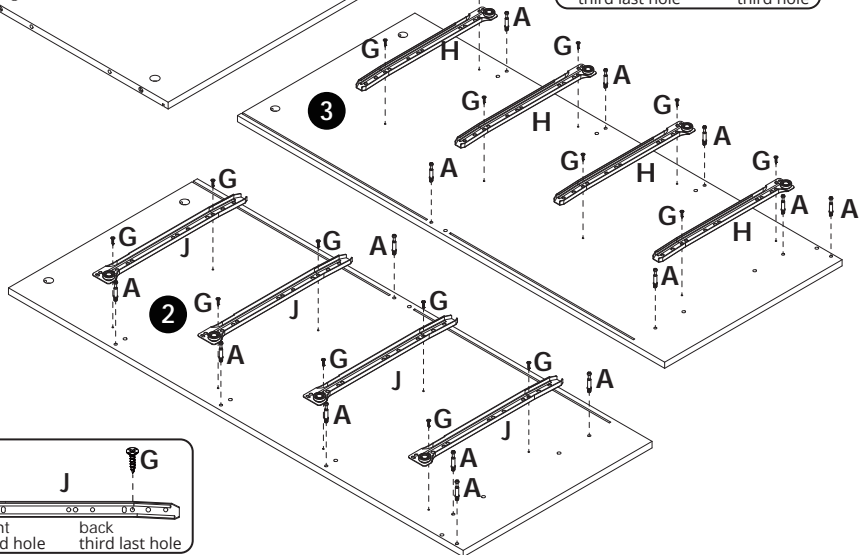
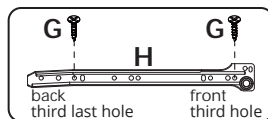
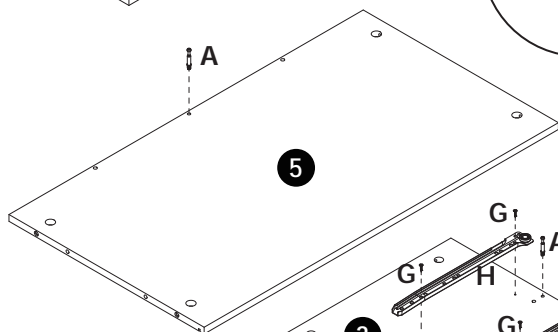
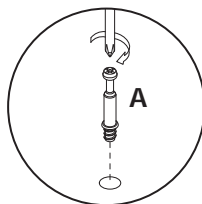
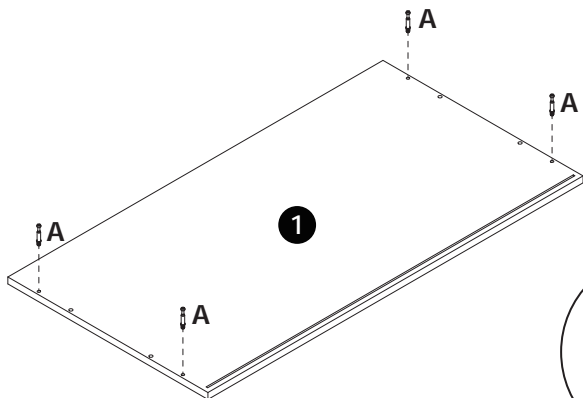
Phillips Screwdriver x 1



# ASSEMBLY INSTRUCTIONS

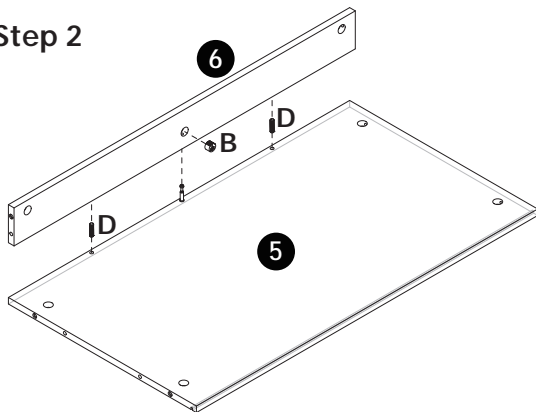
## Step 1

A		19	
G		16	
H		4	
J		4	

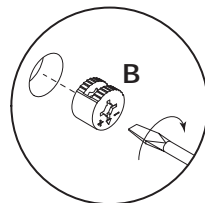


# ASSEMBLY INSTRUCTIONS

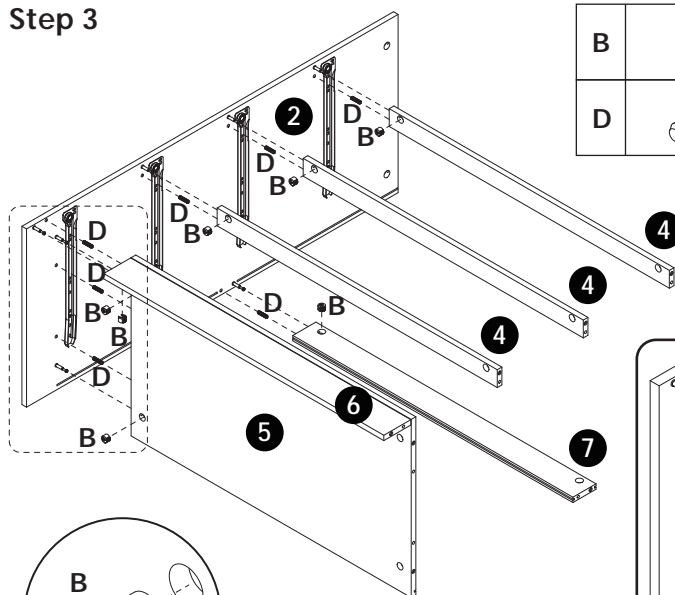
Step 2



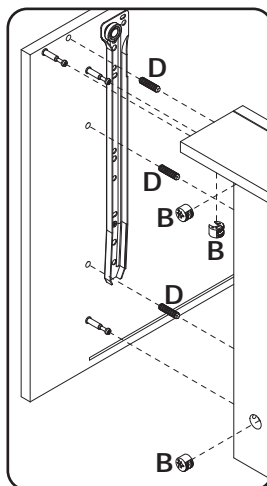
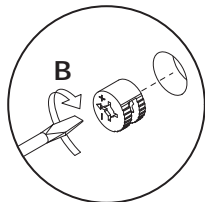
B		1	
D		2	



Step 3

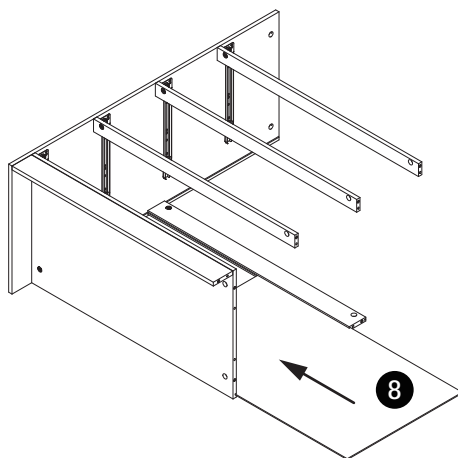


B		7	
D		7	

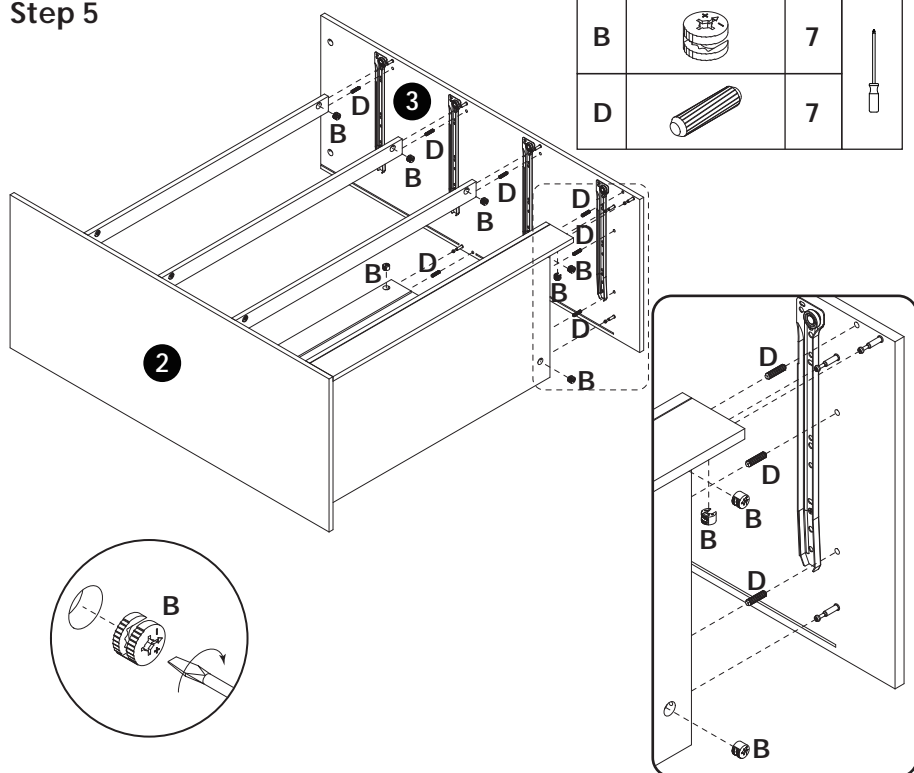


# ASSEMBLY INSTRUCTIONS

Step 4



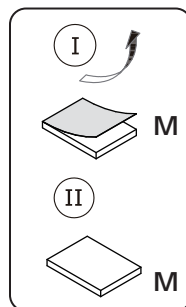
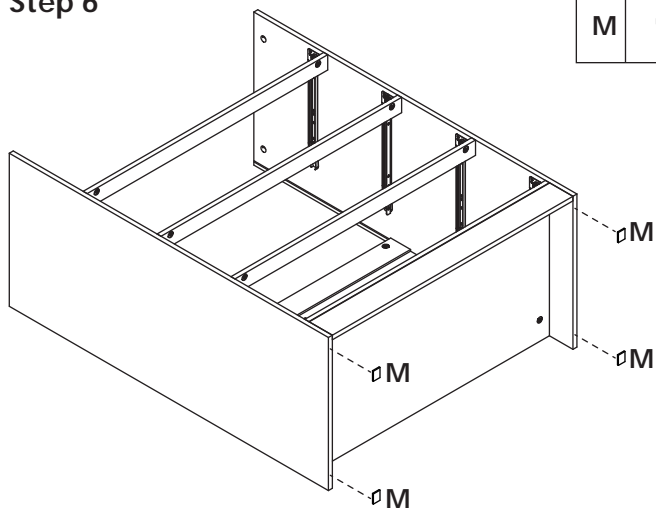
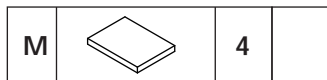
Step 5



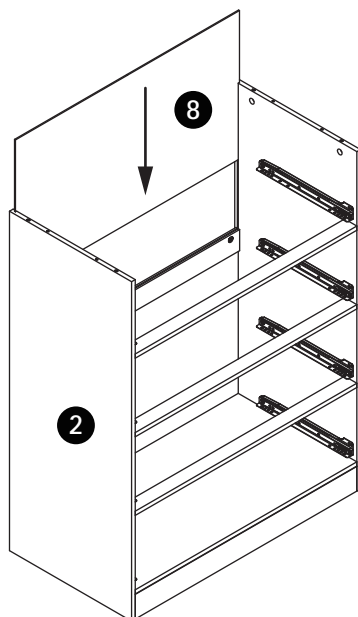


# ASSEMBLY INSTRUCTIONS

Step 6



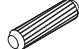


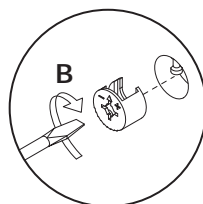
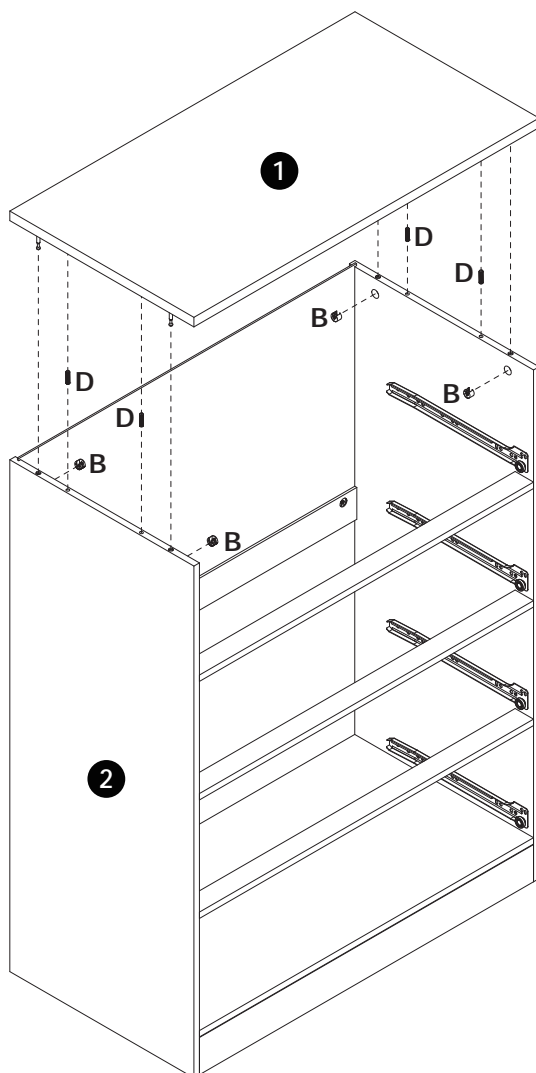
Step 7



# ASSEMBLY INSTRUCTIONS

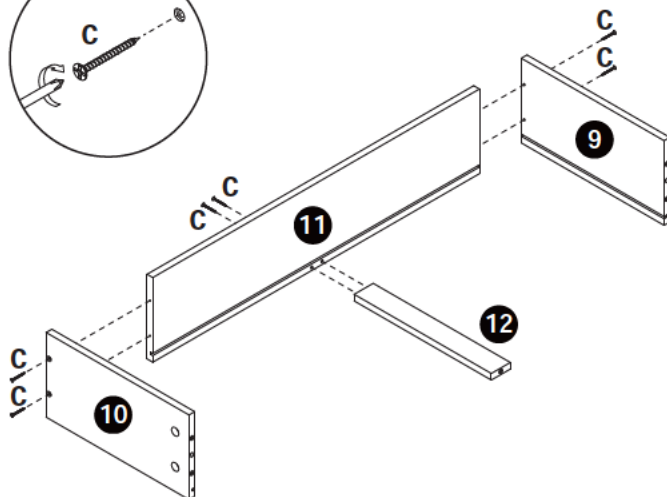
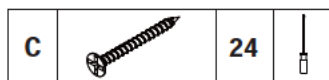
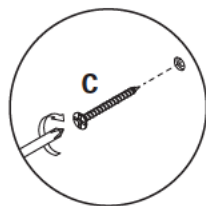
Step 8

B		4	
D		4	



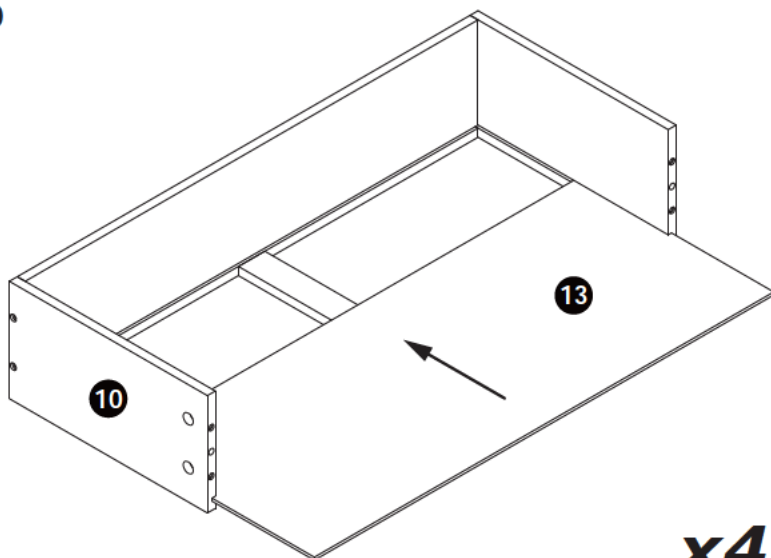
# ASSEMBLY INSTRUCTIONS

Step 9



**x4**

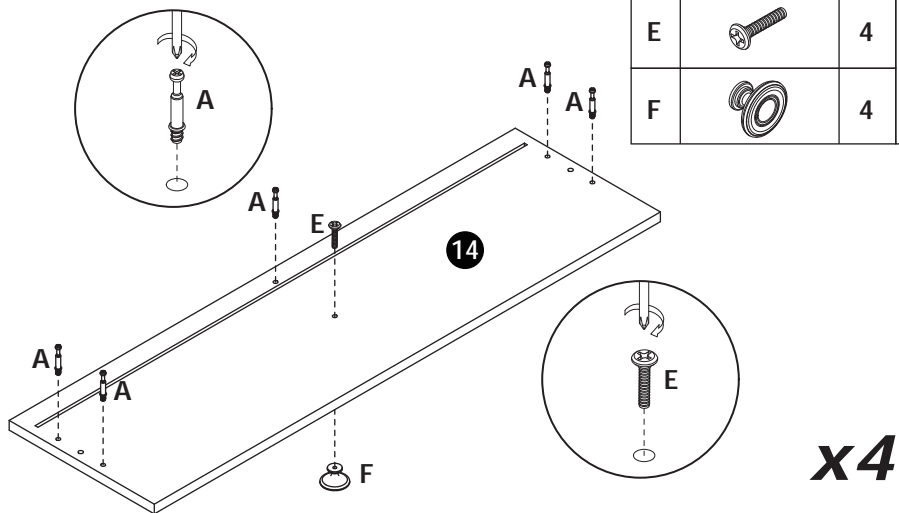
Step 10



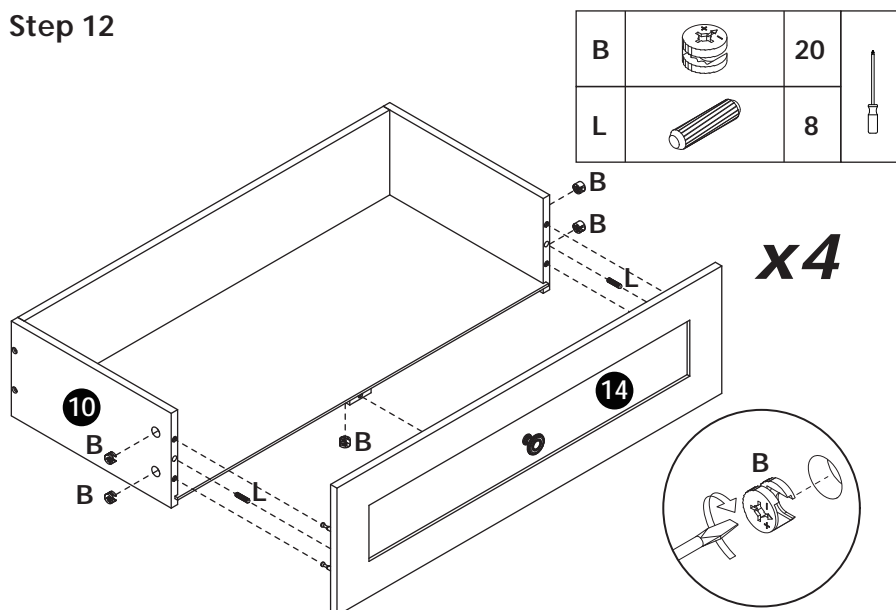
**x4**

# ASSEMBLY INSTRUCTIONS

## Step 11

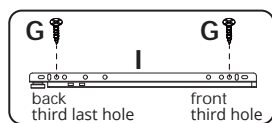


## Step 12

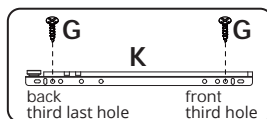
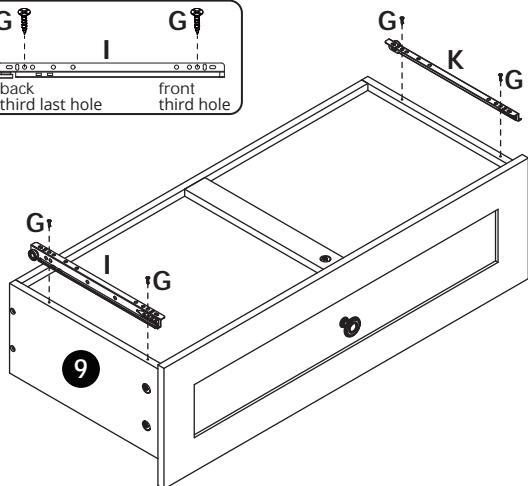


# ASSEMBLY INSTRUCTIONS

## Step 13

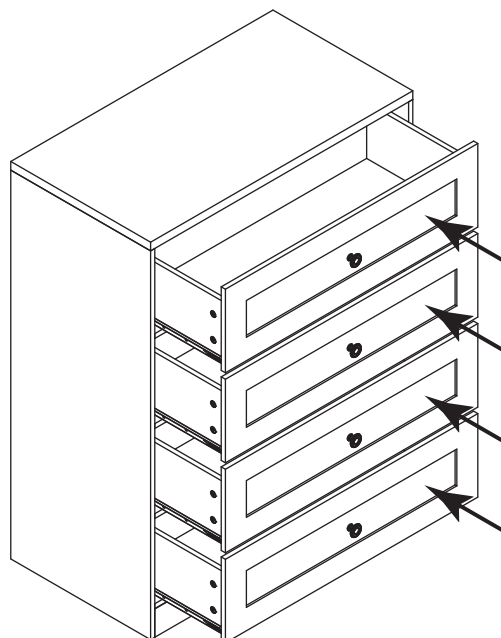


G		16	
I		4	
K		4	



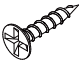


**x4**

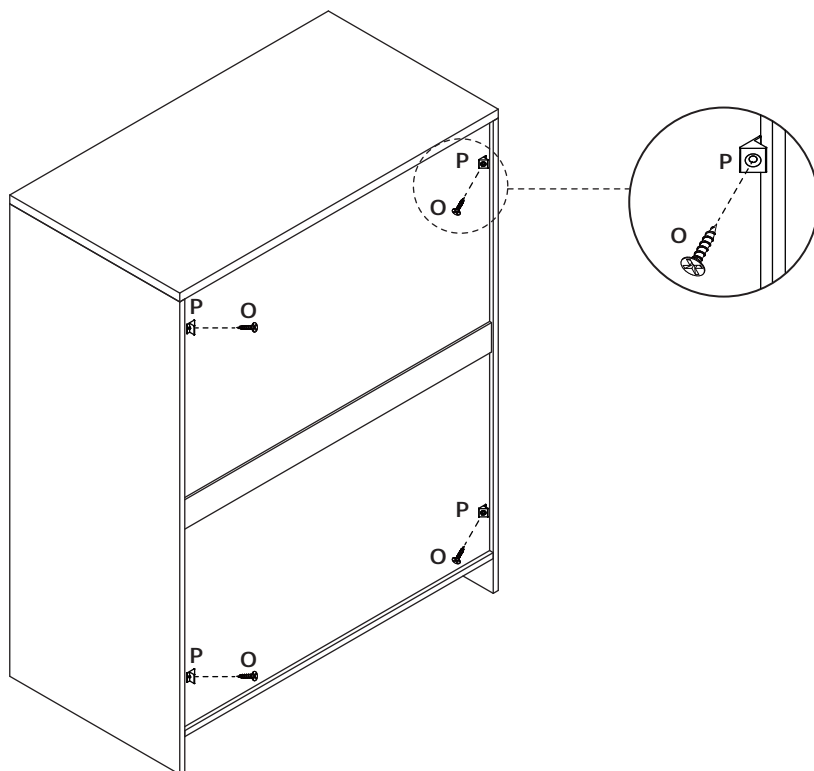
## Step 14



# ASSEMBLY INSTRUCTIONS

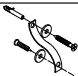

Step 15

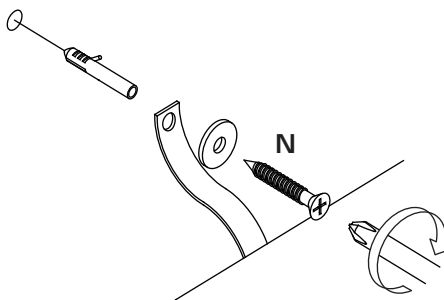
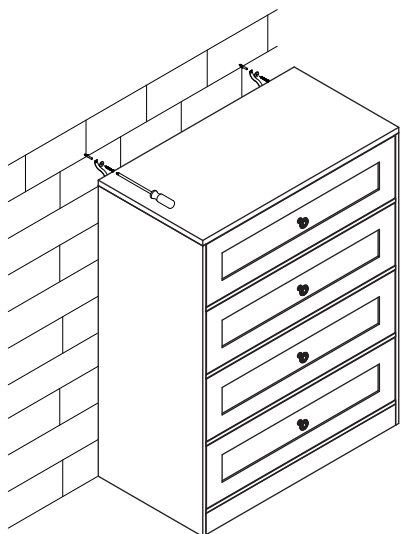
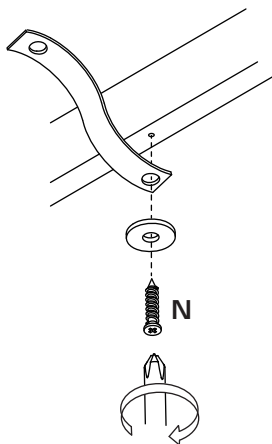
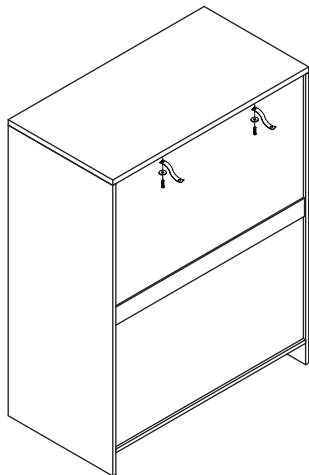
O		4	
P		4	



# ASSEMBLY INSTRUCTIONS

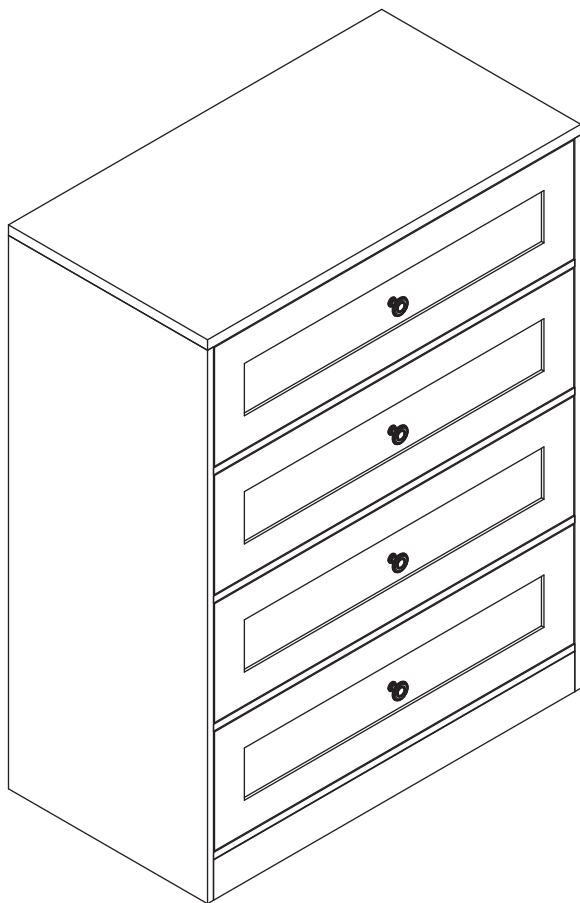
Step 16

N		2	
---	---	---	---



# ASSEMBLY INSTRUCTIONS

---



Congratulations! Now you have finished assembling the product.



## **IF YOU FIND A DEFECTIVE PART**

---

We fully stock all parts and components. Any defective part can be quickly replaced. Take note of the defective part number in manual and we will arrange a quick replacement.