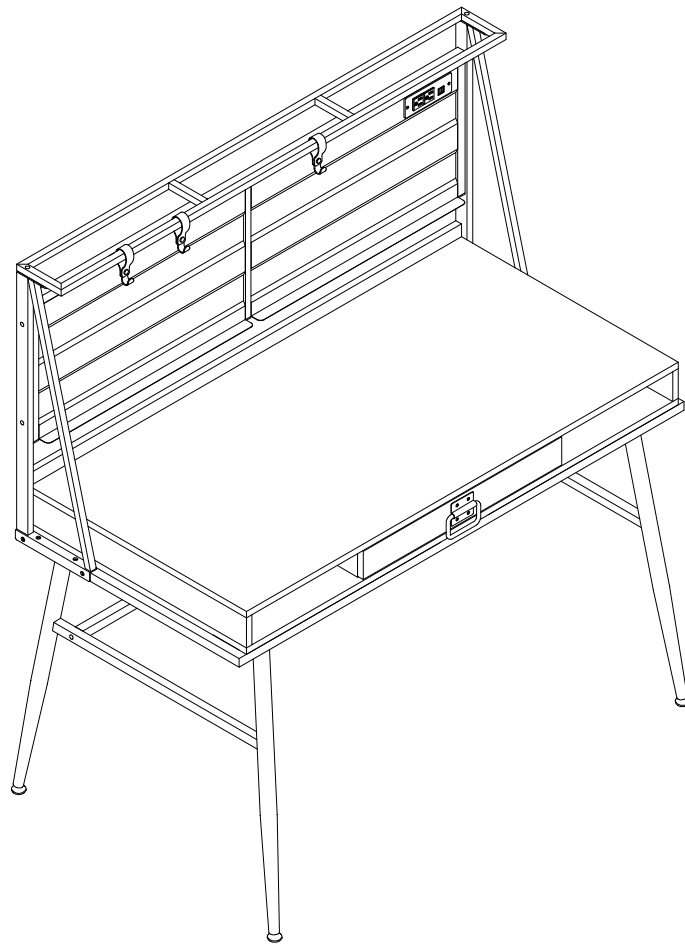


# Assembly Instructions



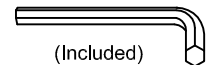
## ASSEMBLY RATING

The Assembly Rating is a 5-point system that shows the degree of effort needed in assembling a specific product (with 1 being easy and 5 being difficult). For some products, two persons are recommended.

EASY  DIFFICULT

## Tools Required For Assembly:

Allen Wrench



(Included)

Phillips Screwdriver

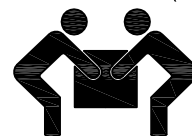


(Not Included)

Straight Screwdriver



(Not Included)

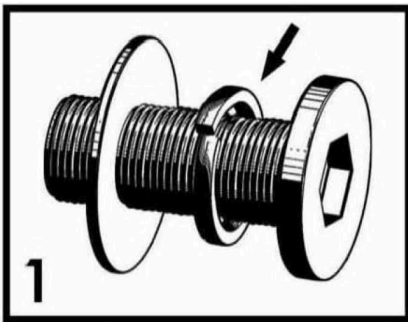


2 PERSONS RECOMMENDED

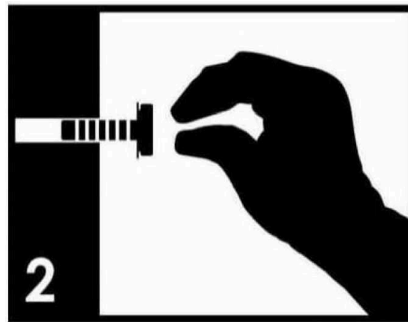
# ASSEMBLY & CARE ADVICE

FOR YOUR FURNITURE TO LAST, CORRECT ASSEMBLY AND PROPER MAINTENANCE ARE NECESSARY. PLEASE FOLLOW THE INFORMATION PROVIDED BELOW TO FULLY ENJOY YOUR FURNITURE.

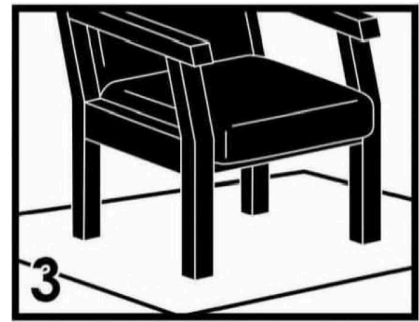
## BASIC ASSEMBLY TECHNIQUES



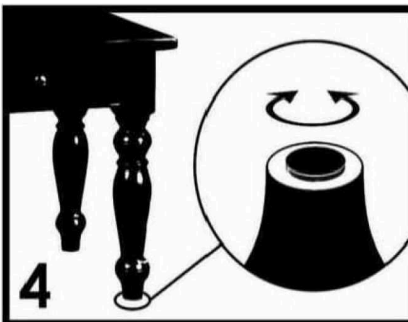
When lock or spring washer is used in an assembly, please make sure the lock or spring washer is placed between the larger flat washer and the head of the screw or bolt.



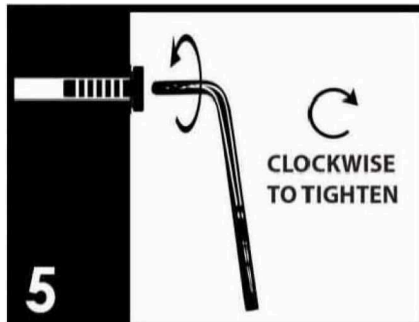
Position each part correctly and insert screws or bolts into their respective holes by hand tighten or using the proper hand tool. Only tighten when step is completed or when instructed to do so.



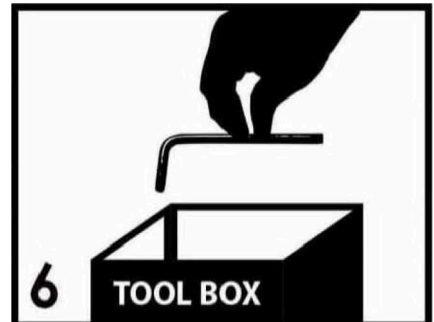
Use cardboard or carpet area when assembling furniture to prevent scratches. Make sure the furniture rests on a flat and level surface with each leg evenly touching the floor. No dragging of products/parts.



Some furniture comes with height adjustment knobs underneath each leg. To lower or to raise each leg, you need to turn clockwise or counterclockwise, respectively.

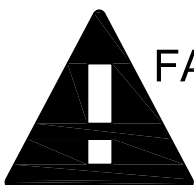


Make sure all parts are properly aligned, then use the appropriate hand tool to completely tighten the bolts or screws. Do not use power tools and do not overtighten.

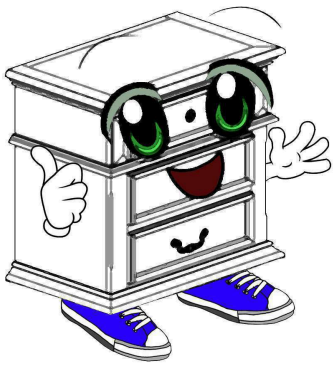


Save the instructions and store the Allen wrench or any supplied tool for later maintenance. After two weeks, check and tighten any loose hardware and repeat again every six months thereafter.

IT IS THE USER'S RESPONSIBILITY TO MAINTAIN THE FURNITURE. THE HARDWARE MAY LOOSEN OVER TIME AND MAY CAUSE THE FURNITURE TO BE WOBBLY AND UNABLE TO SUPPORT ITS INTENDED WEIGHT CAPACITY. THIS MAY LEAD TO COLLAPSE AND MAY CAUSE SERIOUS INJURY.



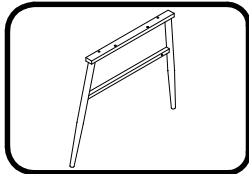
**FAILURE TO FOLLOW THE GUIDELINES ABOVE MAY RESULT IN INJURY AND/OR PROPERTY DAMAGE.**



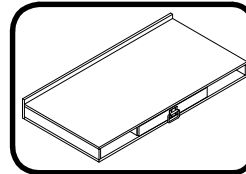
Before you begin, please read Page 2 of "Assembly and Care Advice".

And remember, do not tighten until each step is completed or instructed.

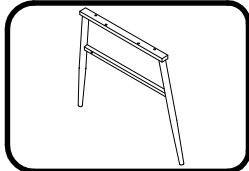
### Parts List



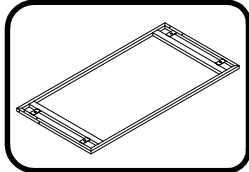
#1 x 1pc Left  
Left Leg Frame



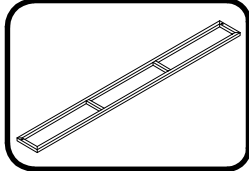
#9 x 1pc  
Cabinet



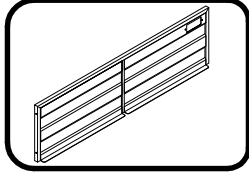
#2 x 1pc  
Right Leg Frame



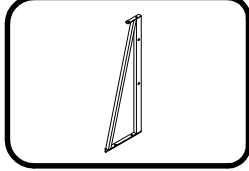
#3 x 1pc  
Cabinet Base Frame



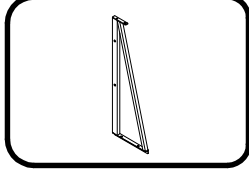
#4 x 1pc  
Top Frame



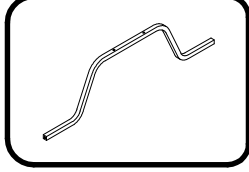
#5 x 1pc  
Back Panel



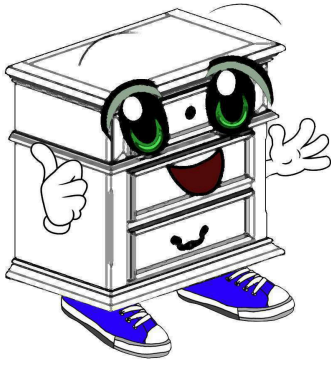
#6 x 1pc  
Left Frame



#7 x 1pc  
Right Rame



#8 x 1pc  
Support Tube



Before you begin, please read Page 2 of "Assembly and Care Advice".

And remember, do not tighten until each step is completed or instructed.

### Hardware List



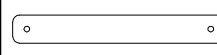
#A x 14pcs  
Bolt 1/4" x 1/2"



#I x 3pcs  
Hook



#B x 16pcs  
Bolt 1/4" x 1-1/8"



#J x 3pcs  
Belt



#C x 2pcs  
Bolt 1/4" x 1-3/8"



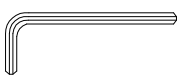
#K x 3pcs  
Bolt Ø10x5L



#D x 4pcs  
Adjustable Foot



#L x 3pcs  
Nut Ø10x5L



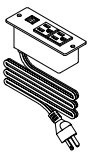
#E x 1pc  
Allen Wrench M4



#F x 2pcs  
M3x10

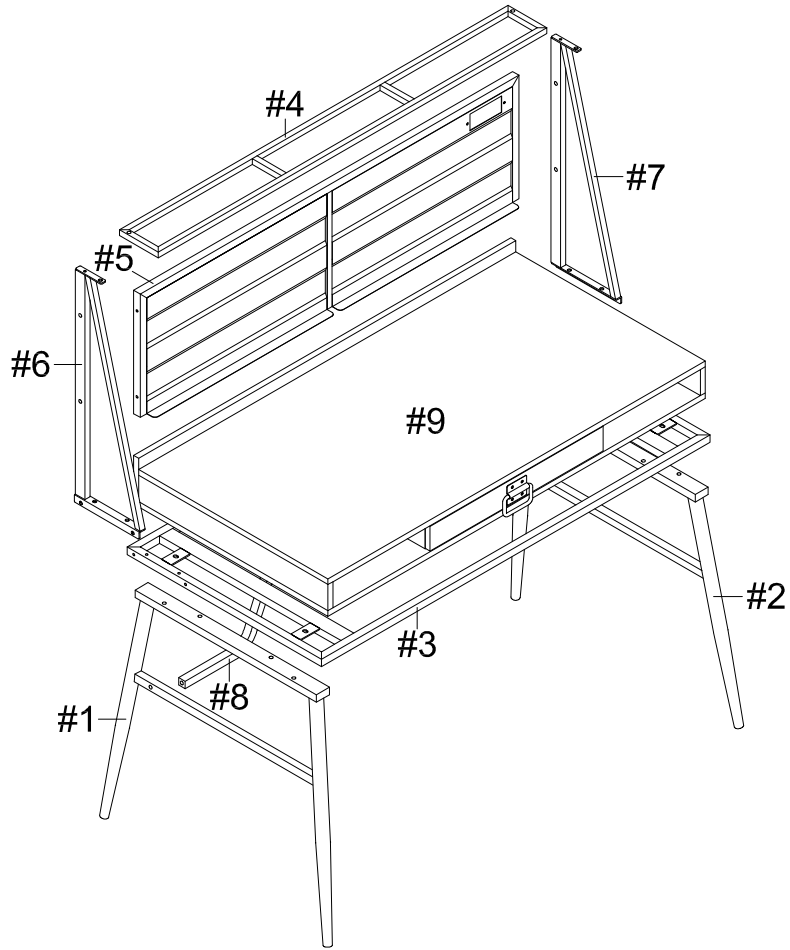


#G x 2pcs  
Nut M3



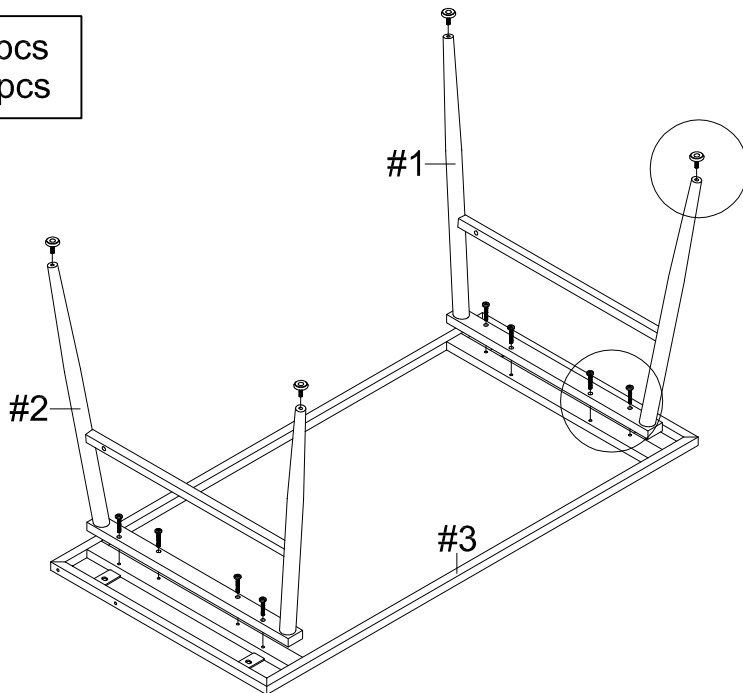
#H x 1pc  
USB

# Exploded View

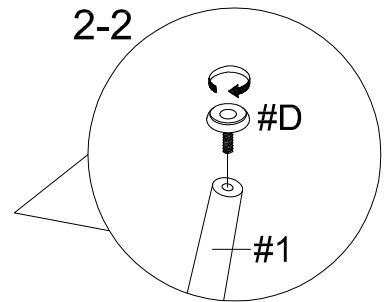


Align leg frames (#1,2) to the base frame (#3), then secure by using bolts (#B). Attach adjustable foot (#D) to the leg frames (#1,2).

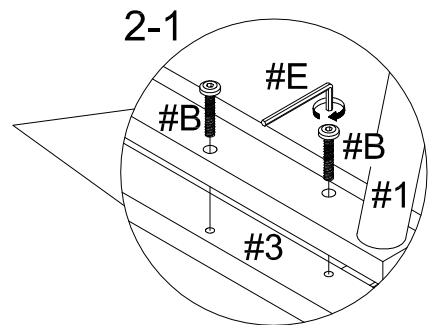
#B x 8pcs  
#D x 4pcs



2-2



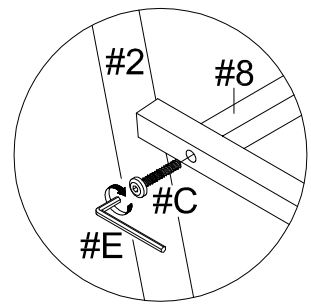
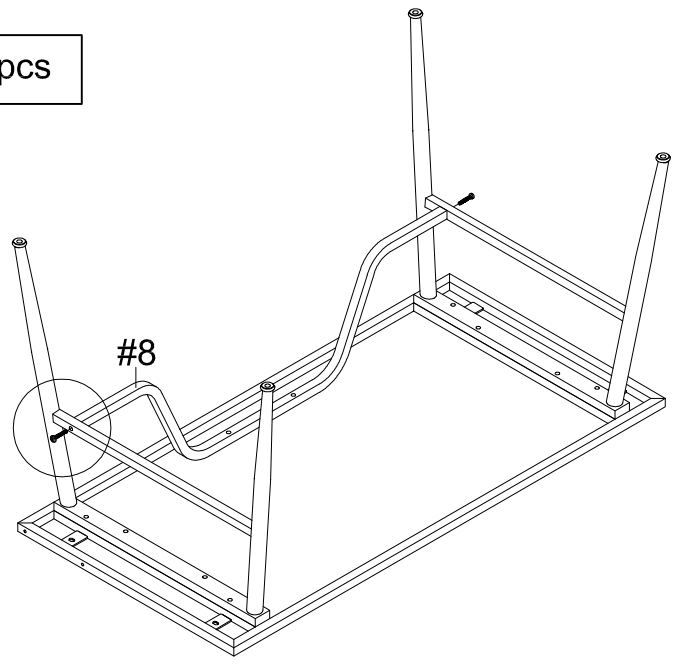
2-1





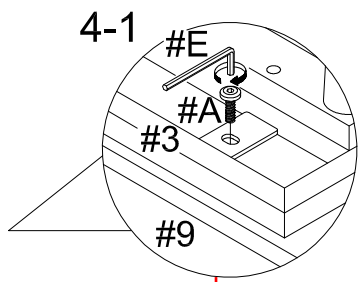
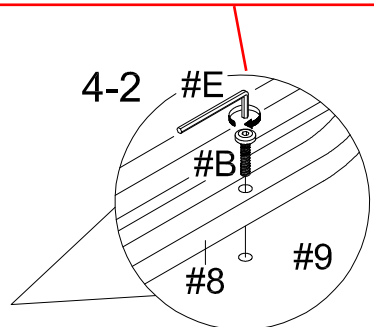
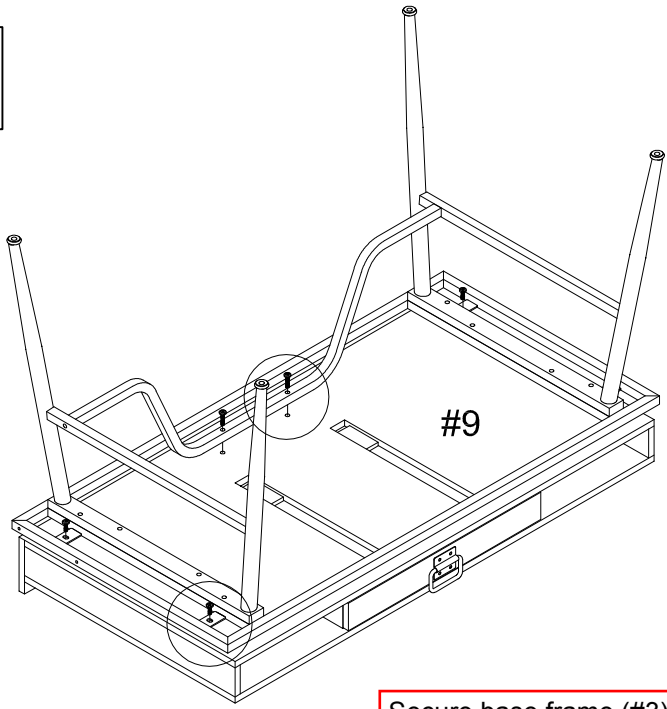
Align support tube (#8) to the leg frames (#1,2), then secure by using bolts (#C).

#C x 2pcs



Secure support tube (#8) to cabinet (#9) by using bolts (#B).

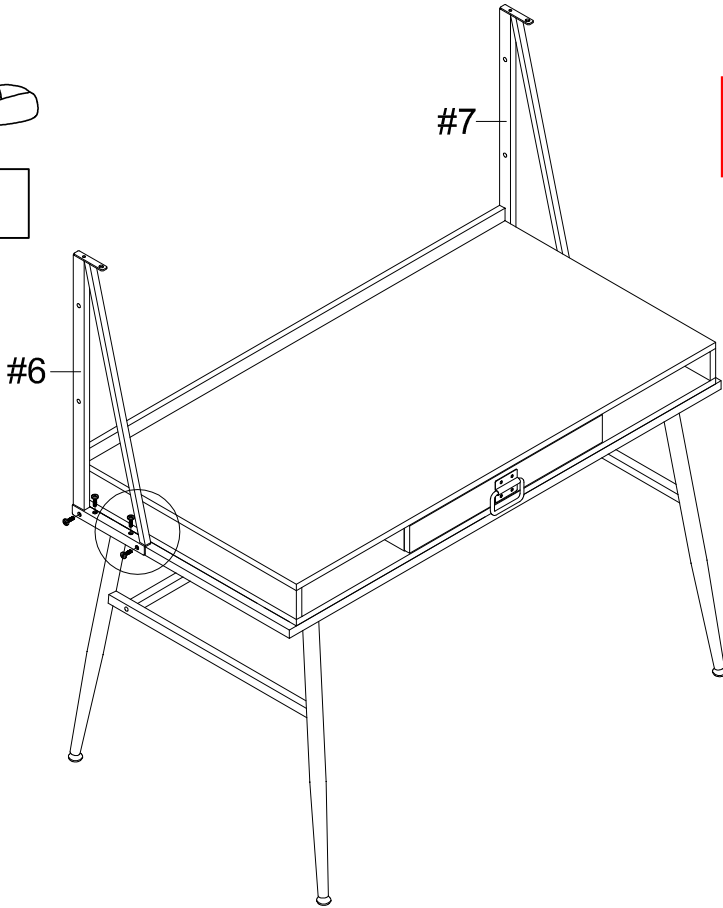
#A x 4pcs  
#B x 2pcs



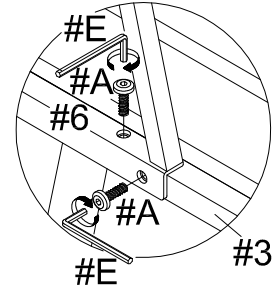
Secure base frame (#3) to cabinet (#9) by using bolts (#A).



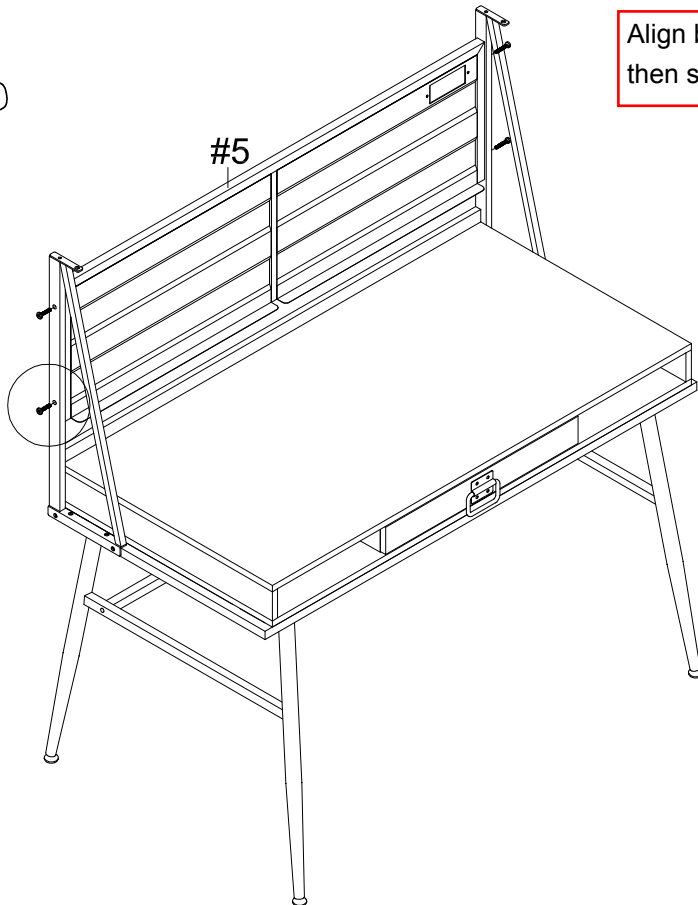
#A x 8pcs



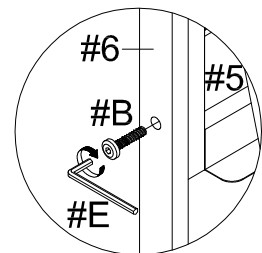
Align frames (#6,7) to the unit, then secure by using bolts (#A).



#B x 4pcs

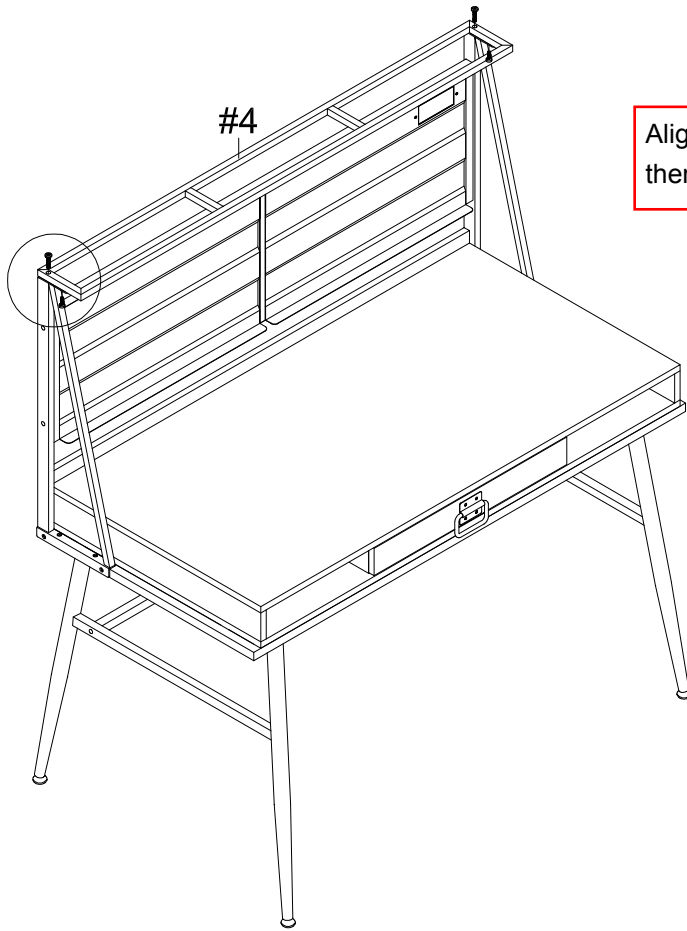


Align back panel (#5) to the frames (#6,7), then secure by using bolts (#B).

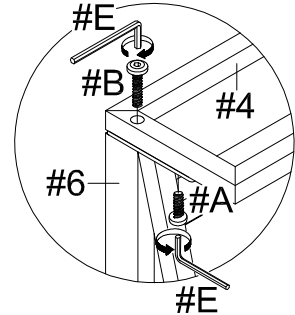




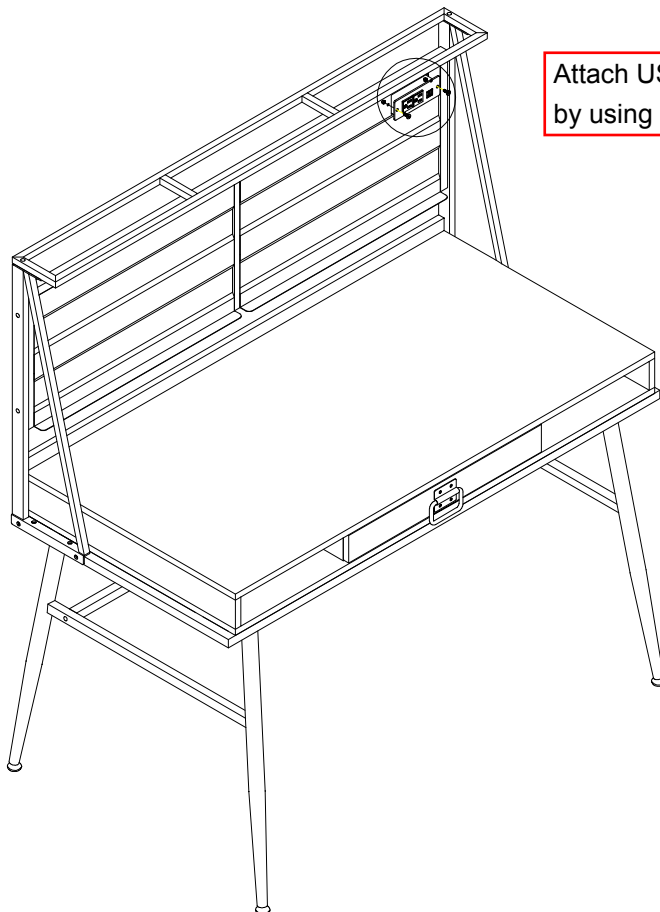
#A x 2pcs  
#B x 2pcs



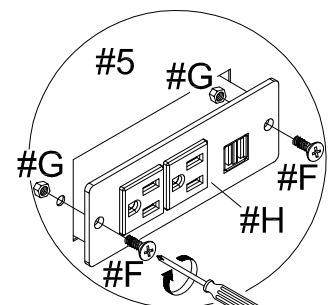
Align top frame (#4) to the frames (#6,7), then secure by using bolts (#A,B).



#F x 2pcs  
#G x 2pcs  
#H x 1pc



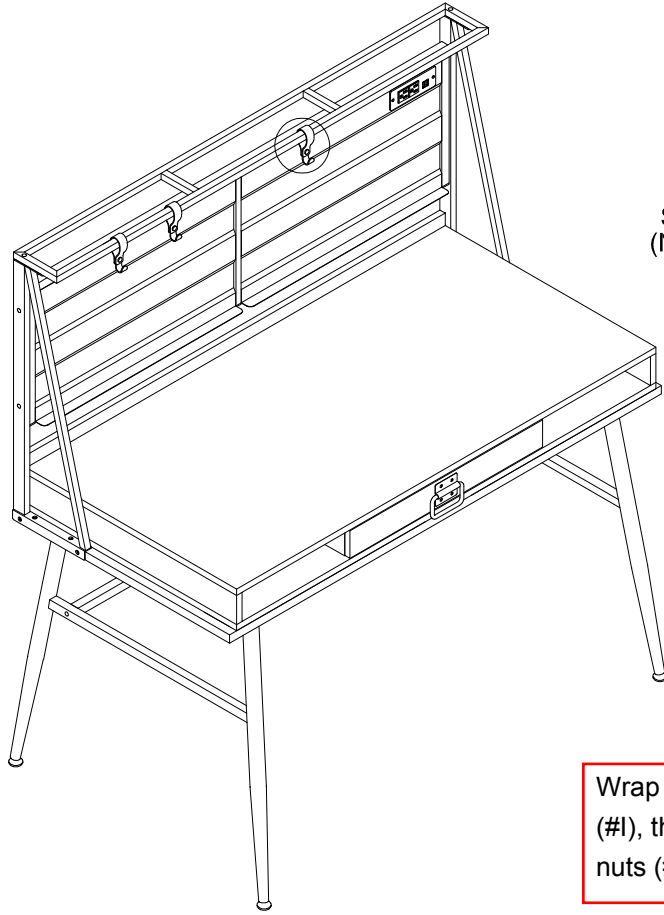
Attach USB (#H) to the back panel (#5), then secure by using bolts (#F) with nuts (#G).



SCREWDRIVER  
(NOT PROVIDED)



#1 x 3pcs  
#J x 3pcs  
#K x 3pcs  
#L x 3pcs



SCREWDRIVER  
(NOT PROVIDED)

Wrap belts (#J) onto top frame and hook (#I), then secure by using bolts (#K) with nuts (#L).

