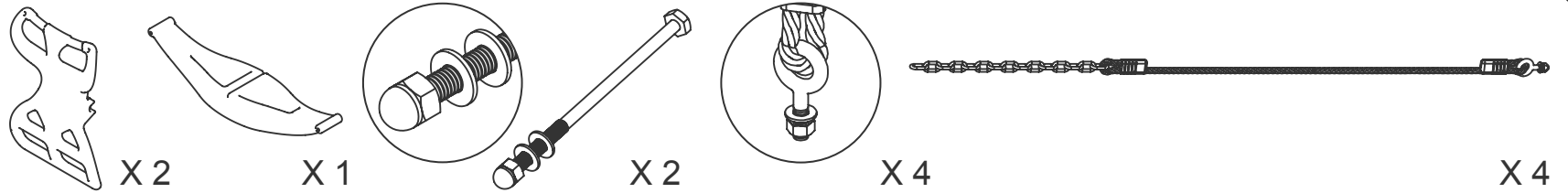


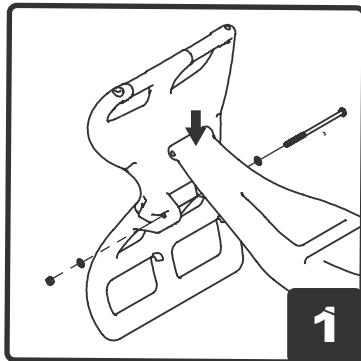
Installation Guide

2 People Glider Swing Seat with Ropes/Chains (SSS-0035)

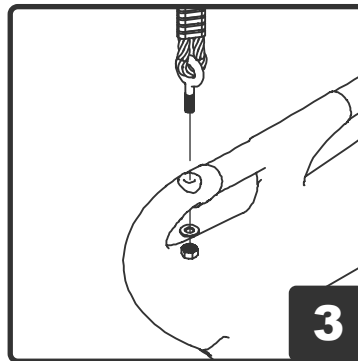
Part List



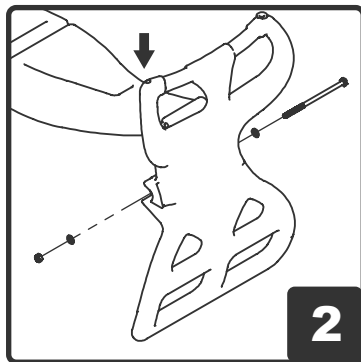
Tools



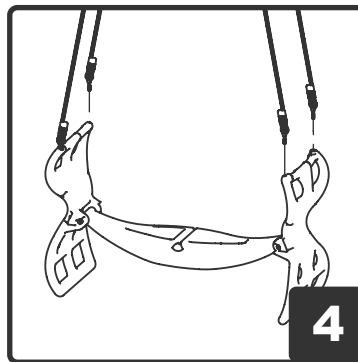
1. Line up the holes of the Seat with the holes of the Handle Assemblies.



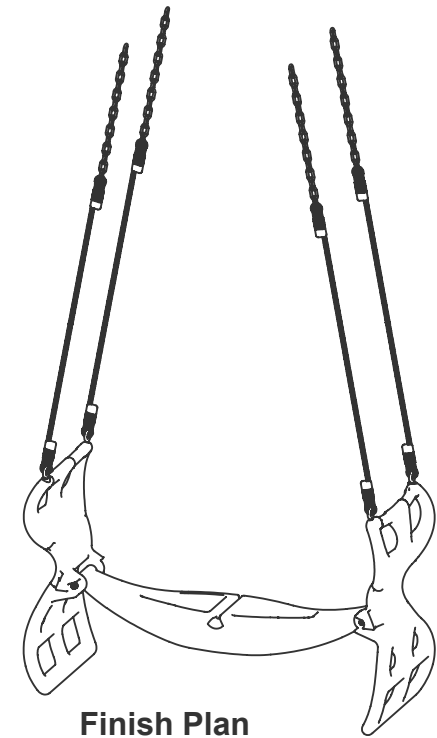
3. Insert the Eye Bolt of the Rope through the hole in the Handle Assembly.



2. Repeat the step 1 to complete the other side of the Handle Assemblies.



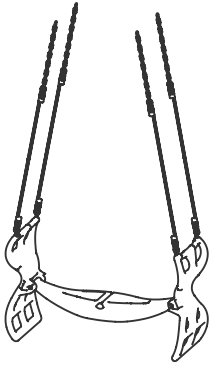

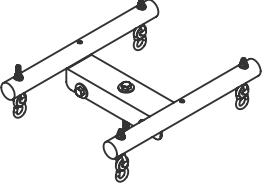
4. Completed all 4 Ropes in the Handle Assembly, Make sure that the nuts are tightened prior to use.

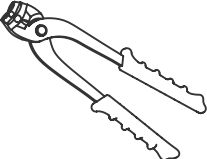




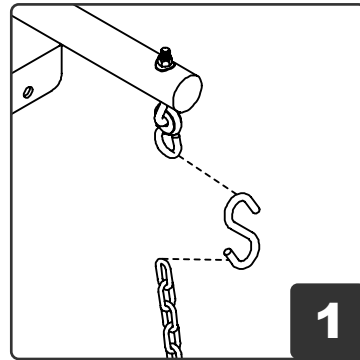
Assembly of Glider Swing Seat

2 People Glider Swing Seat with Ropes/Chains (SSS-0035)

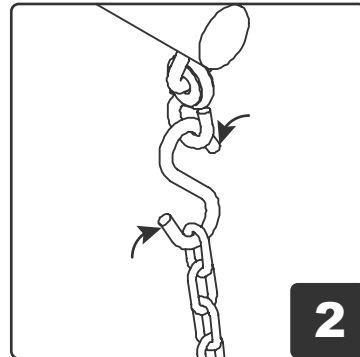
Option 1

Part List	Recommended accessories
 <p>SSS-0035 X 1</p>	 X 4  <p>SSS-0113-P X 1</p>

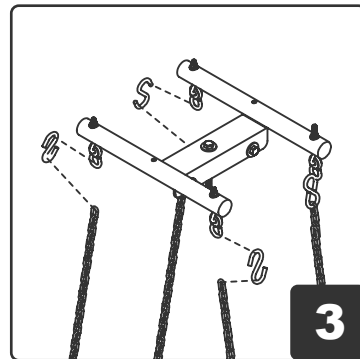
Tools	
	bender tool
	Gloves
	Safety Glasses



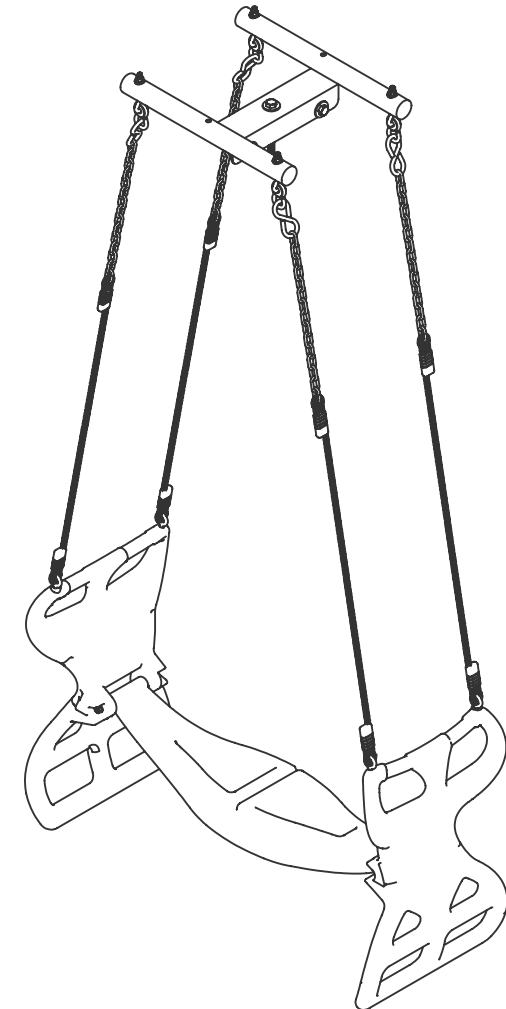
1. Attach chain with S hook to the swing hangers.



2. Use the Bender Tool to bend the S hook completely. All S-hooks must be bent fully closed.



3. Repeat the Step 1 & 2 to connect all 4 Chains into the Glider Bracket.



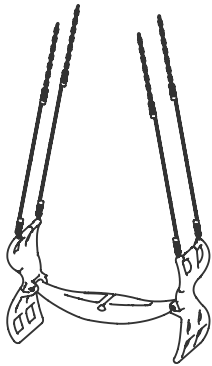

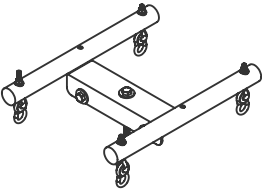
Finish Plan



NOTE : Before connecting the S hook with the chains onto the Glider Bracket please make sure the glider bracket is attached to the swing beam.

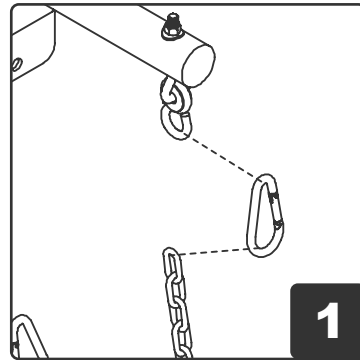
Assembly of Glider Swing Seat

2 People Glider Swing Seat with Ropes/Chains (SSS-0035)

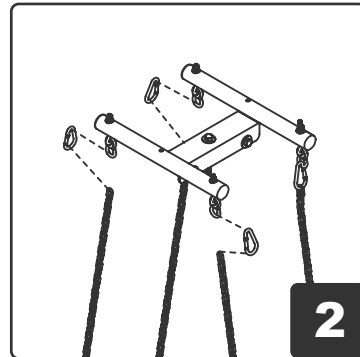
Option 2

Part List	Recommended accessories
 SSS-0035 X 1	 X 4  SSS-0113-P X 1

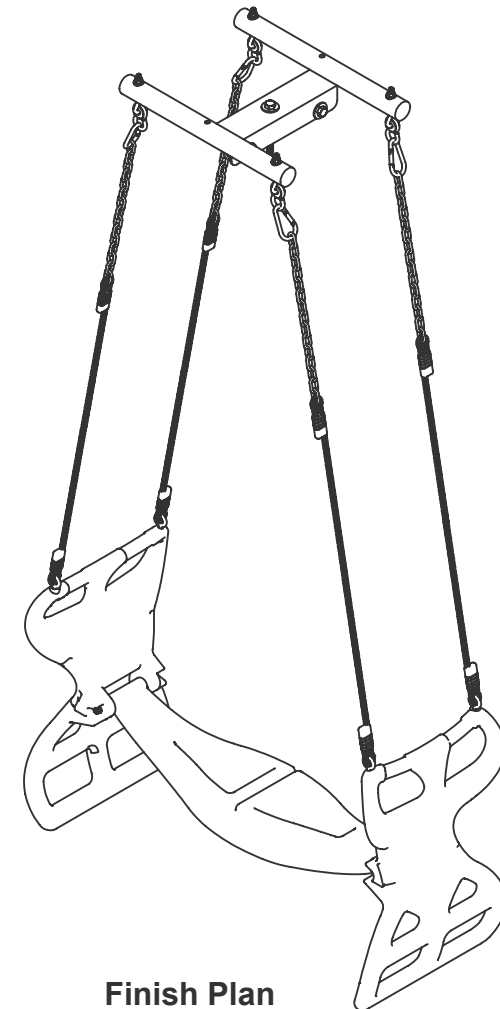
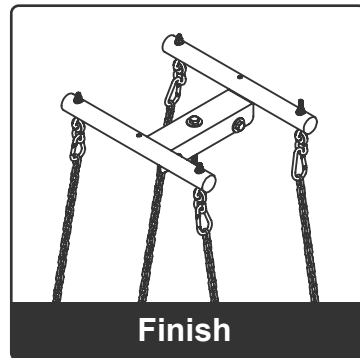
Tools	
	Gloves
	Safety Glasses



1. Attach chain with Spring Clips to the swing hangers.



2. Repeat the Step 1 to connect all 4 Chains into the Glider Bracket.



NOTE : Before connecting the Spring Clips with the chains onto the Glider Bracket please make sure the glider bracket is attached to the swing beam.