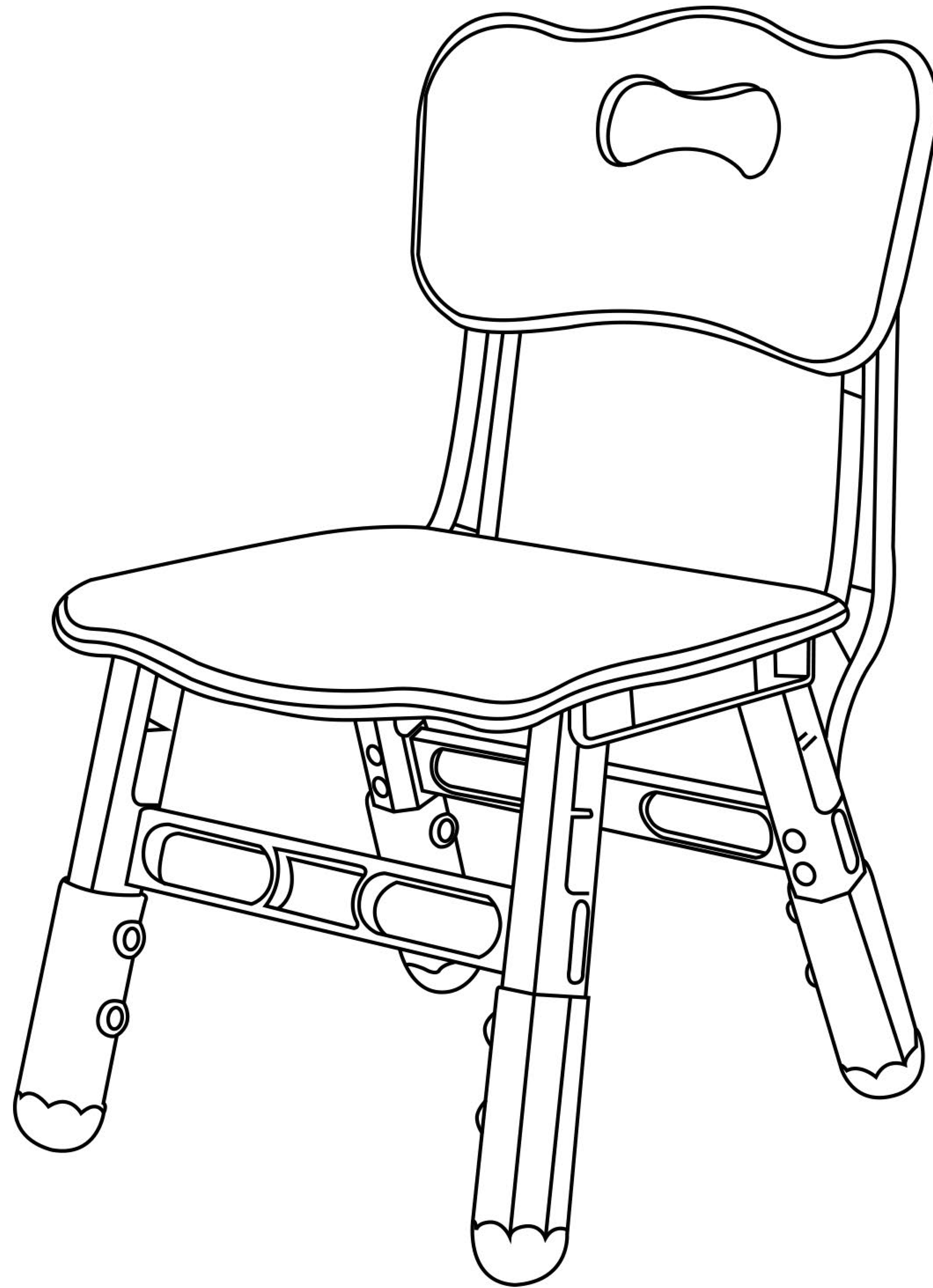


Children Plastic Chair Instructions



Color	Chair QTY
	2Pcs <input checked="" type="checkbox"/>
	4Pcs <input type="checkbox"/>
	6Pcs <input type="checkbox"/>

Warning: Certification Age:18M+, Maximum Weight Capacity of chair:50Kg.

Important, Retain For Future Reference: Read Carefully.

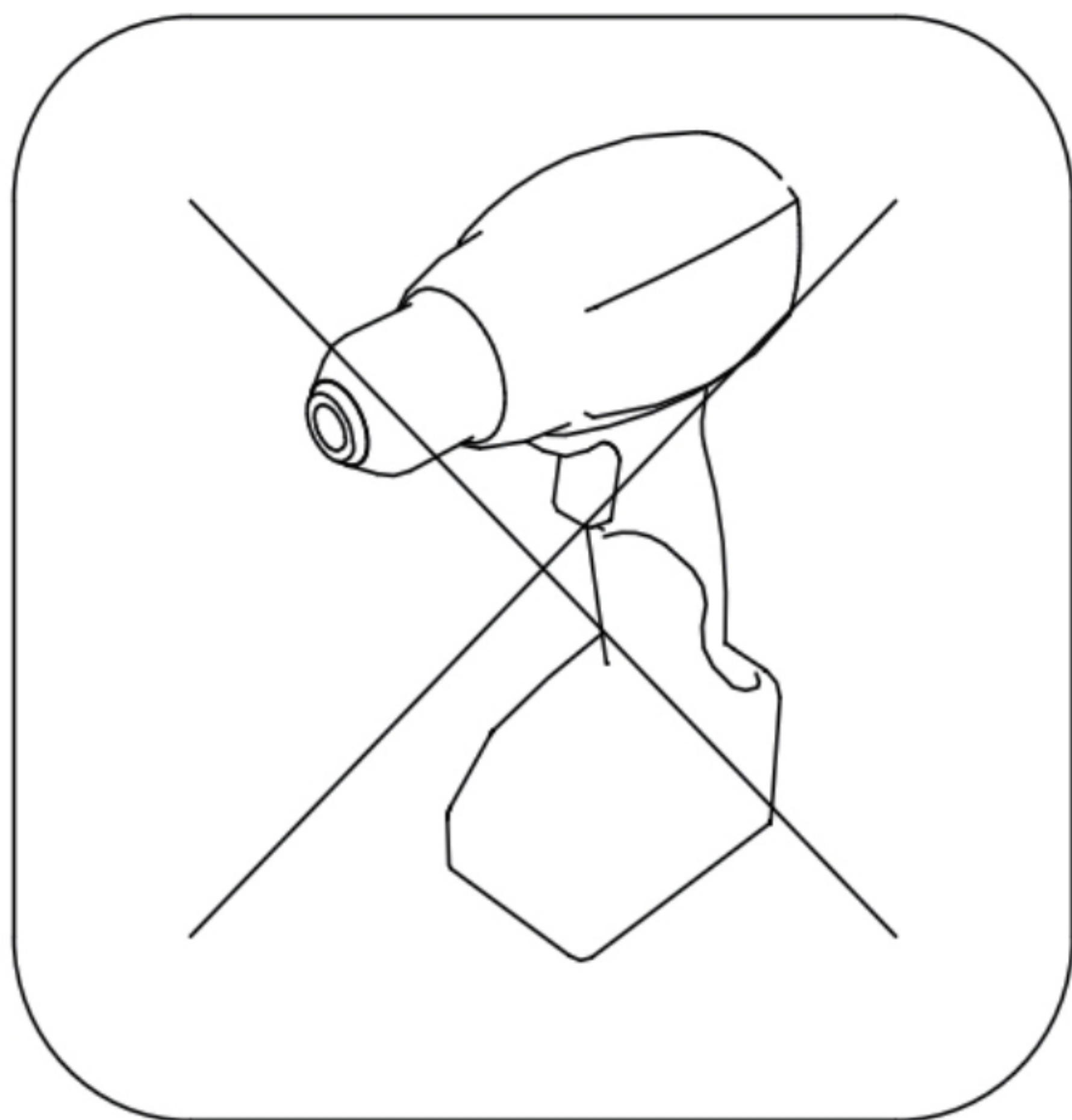
⚠️ WARNING:

- **CHOKING HAZARD** – Small parts
- Certification Age: 18M+ , Maximum Weight of Children plastic chair : 50Kg
- Please read instructions completely before assembling.
- Adult assemble required.
- Assemble on a soft, smooth area.
- Keep away from heat sources.
- Adult supervision required.
- Check if the product is installed firmly.
- This product is designed for home use and is not intended for commercial use.
- DO NOT place this product near a window as it can be used as a step by the child and cause the child to fall out of the window.

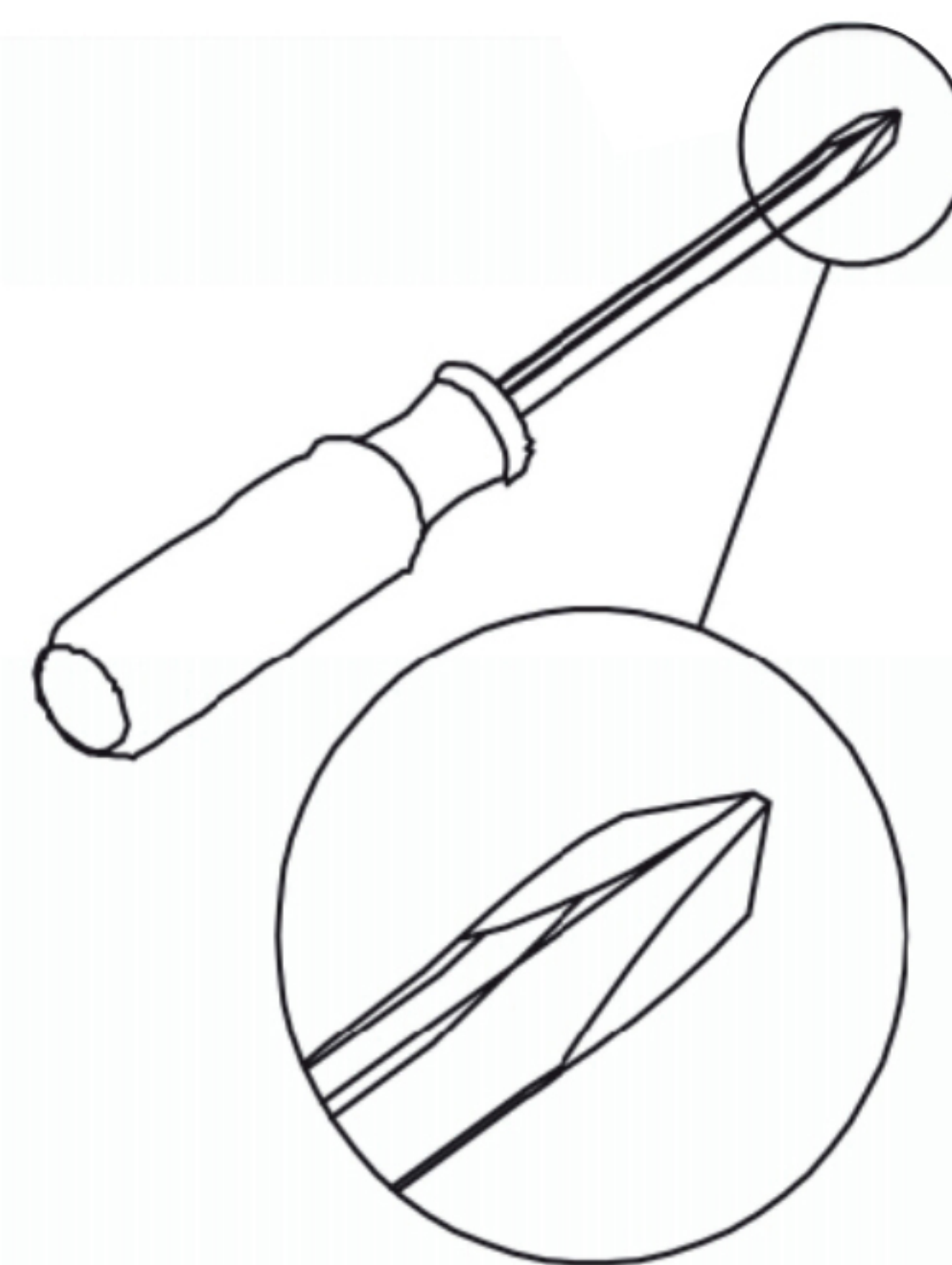
MAINTENANCE:

- Please verify all contents and make sure you have received all the parts listed above before throwing any packaging.
- Use only household soap or mild detergent and warm water. Wipe with damp cloth.
- Periodically check for loose screws to avoid accidental injury.
- Move your new furniture carefully, with two people lifting and carrying the unit to its new location.
- Your furniture can be disassembled and reassembled to move.

Tools:

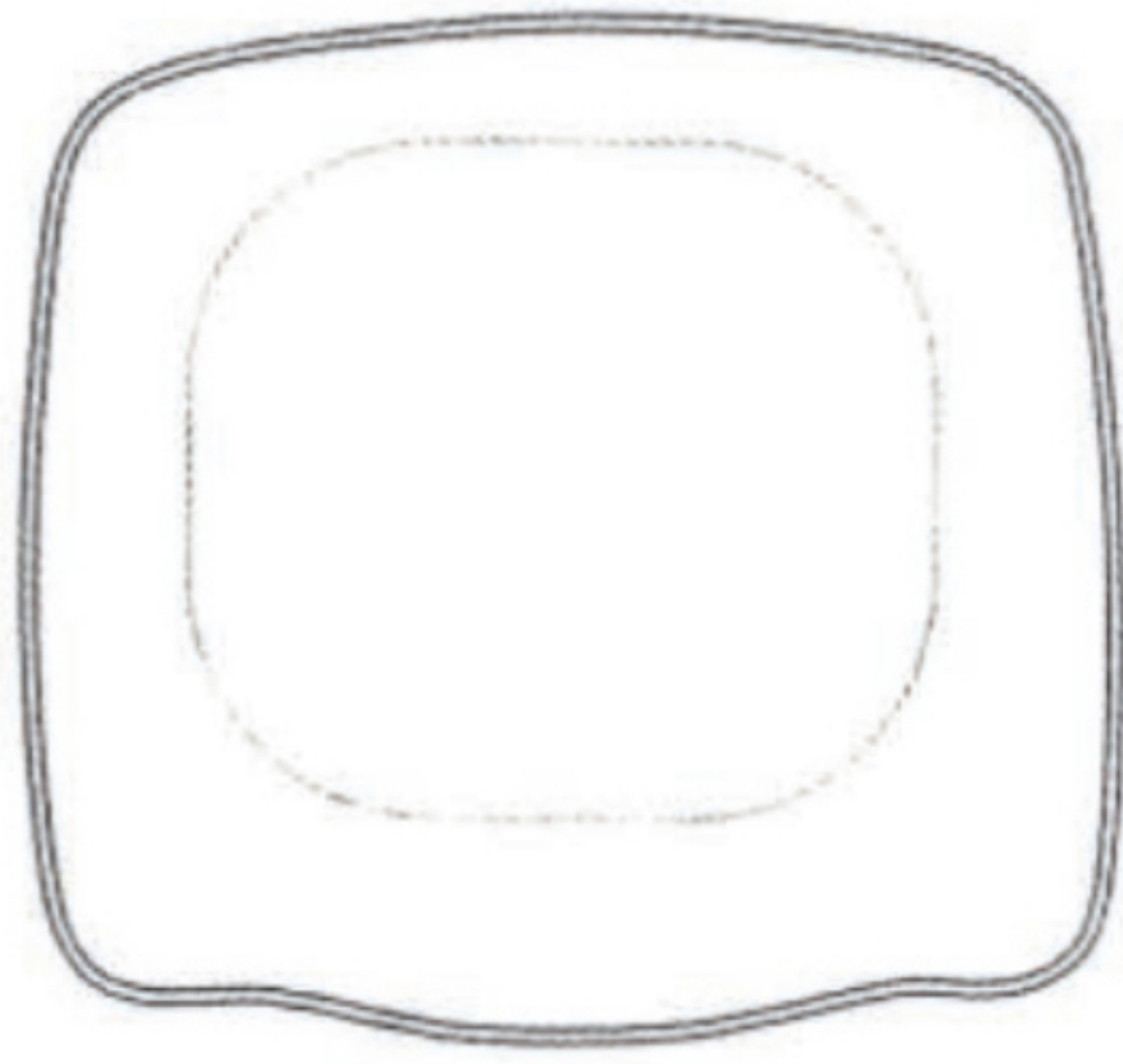


Do NOT use
power tools

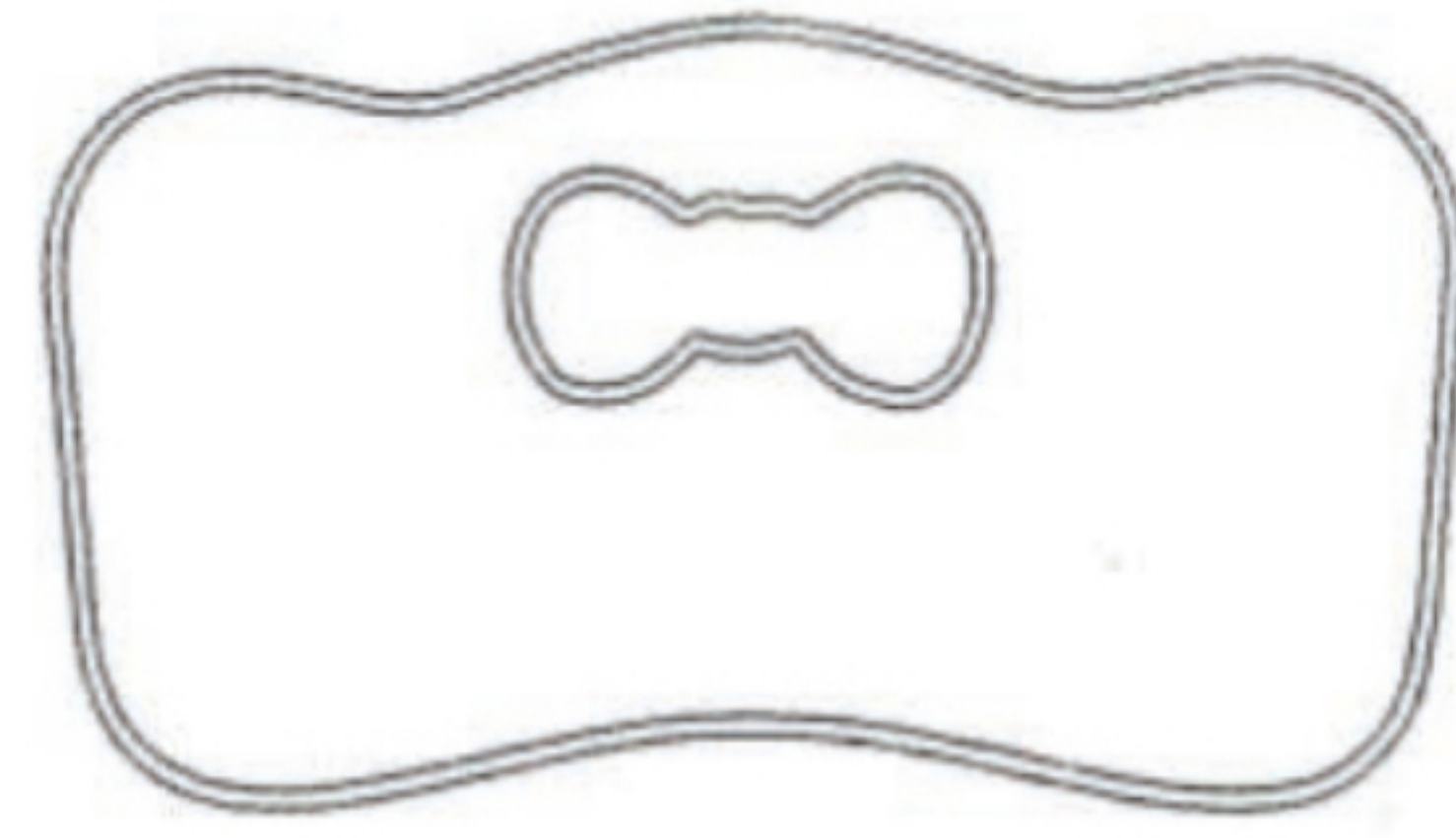


Phillips head screwdriver
required (not included)

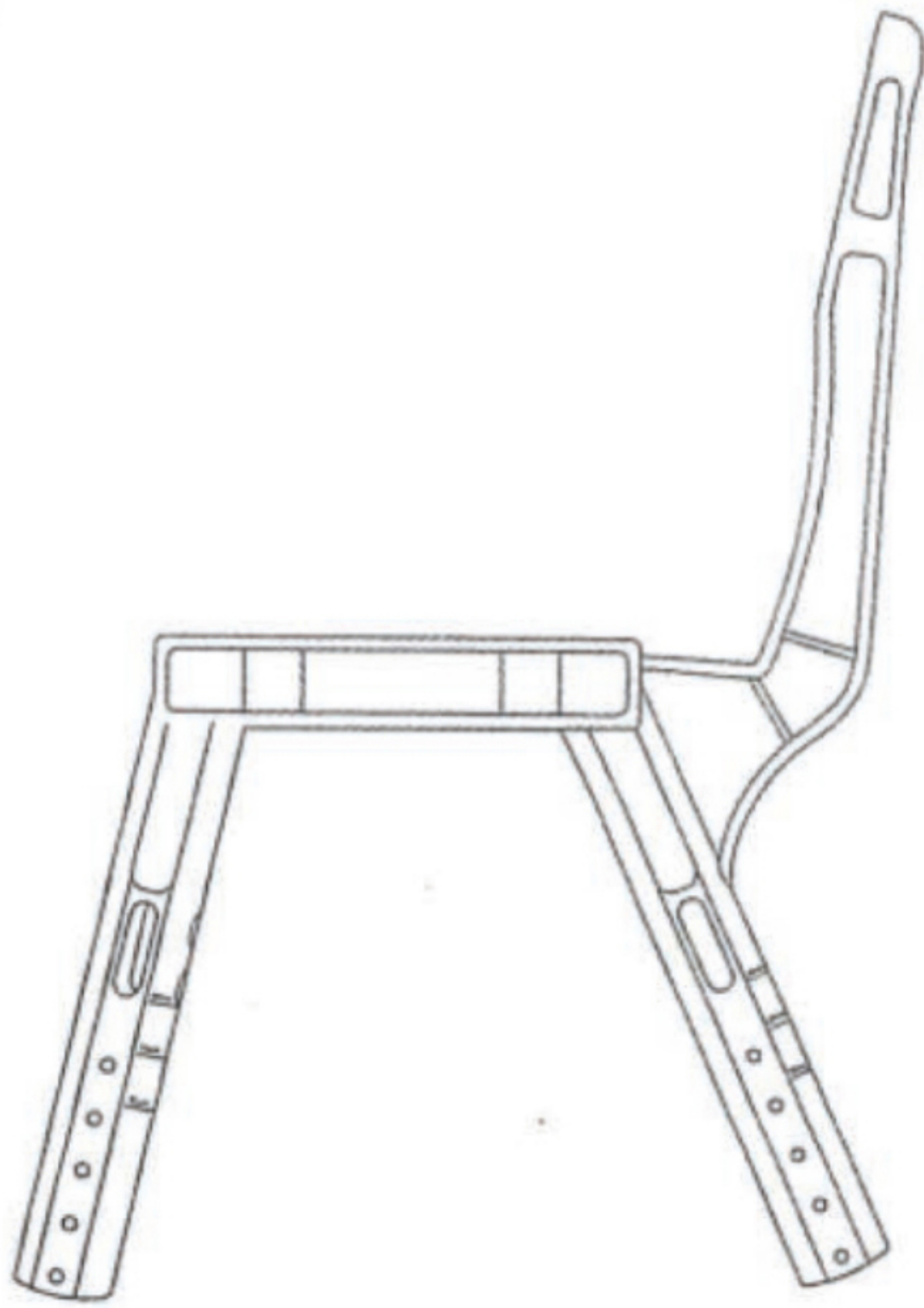
D x 2



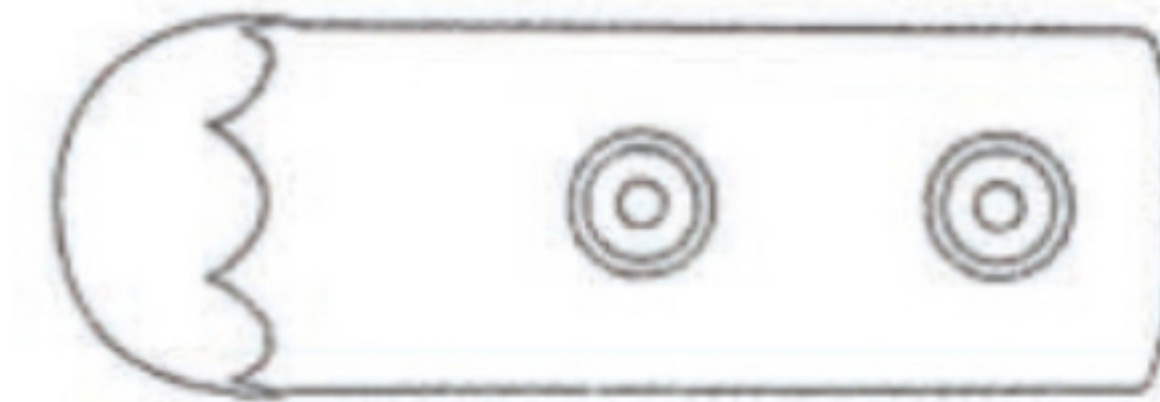
E x 2



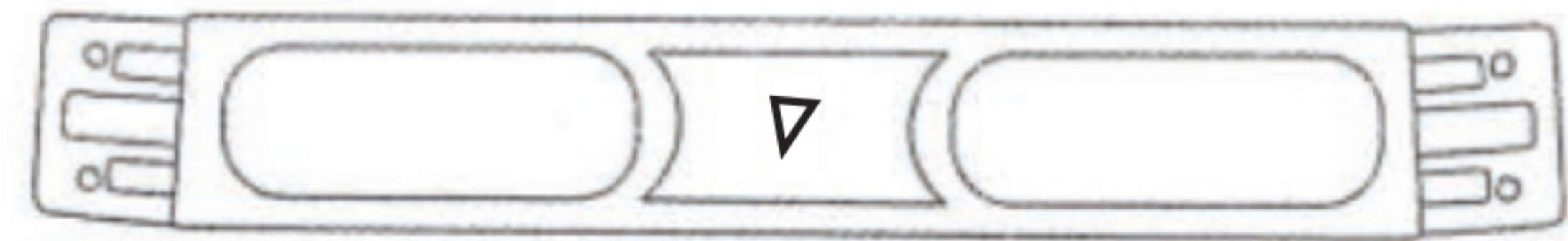
F x 4



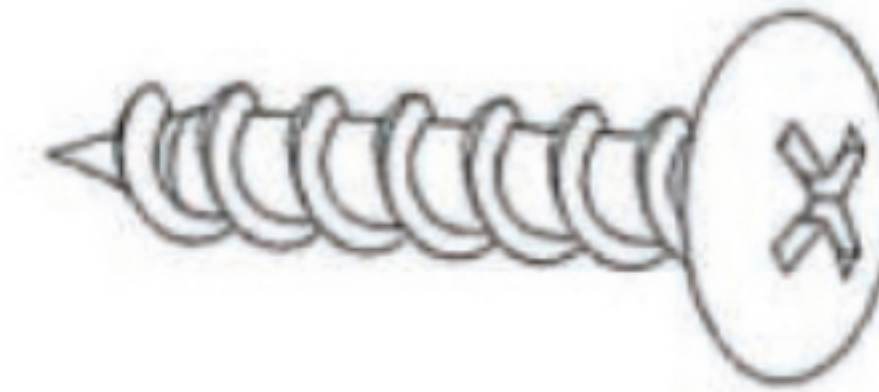
G x 8



H x 4

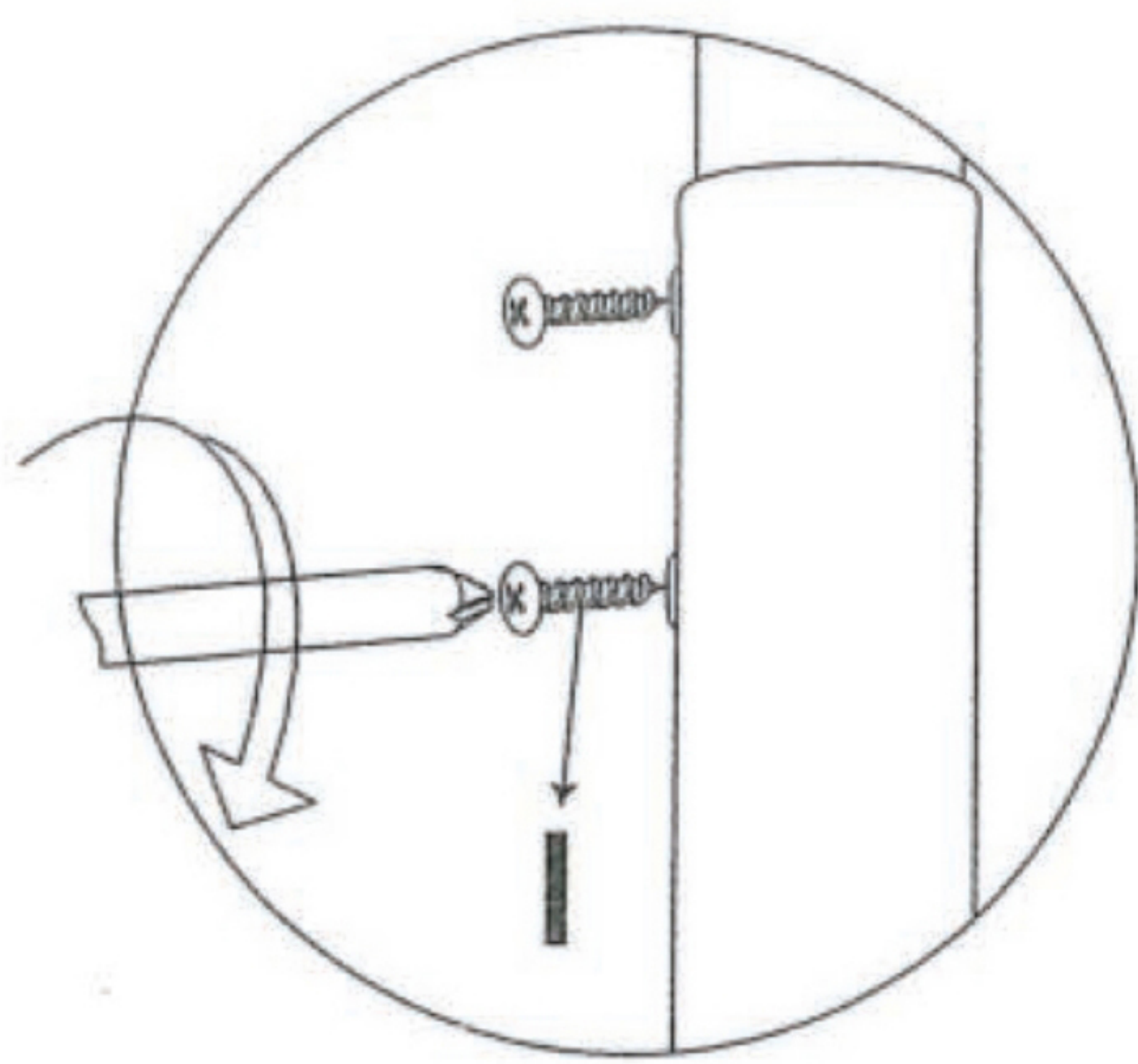
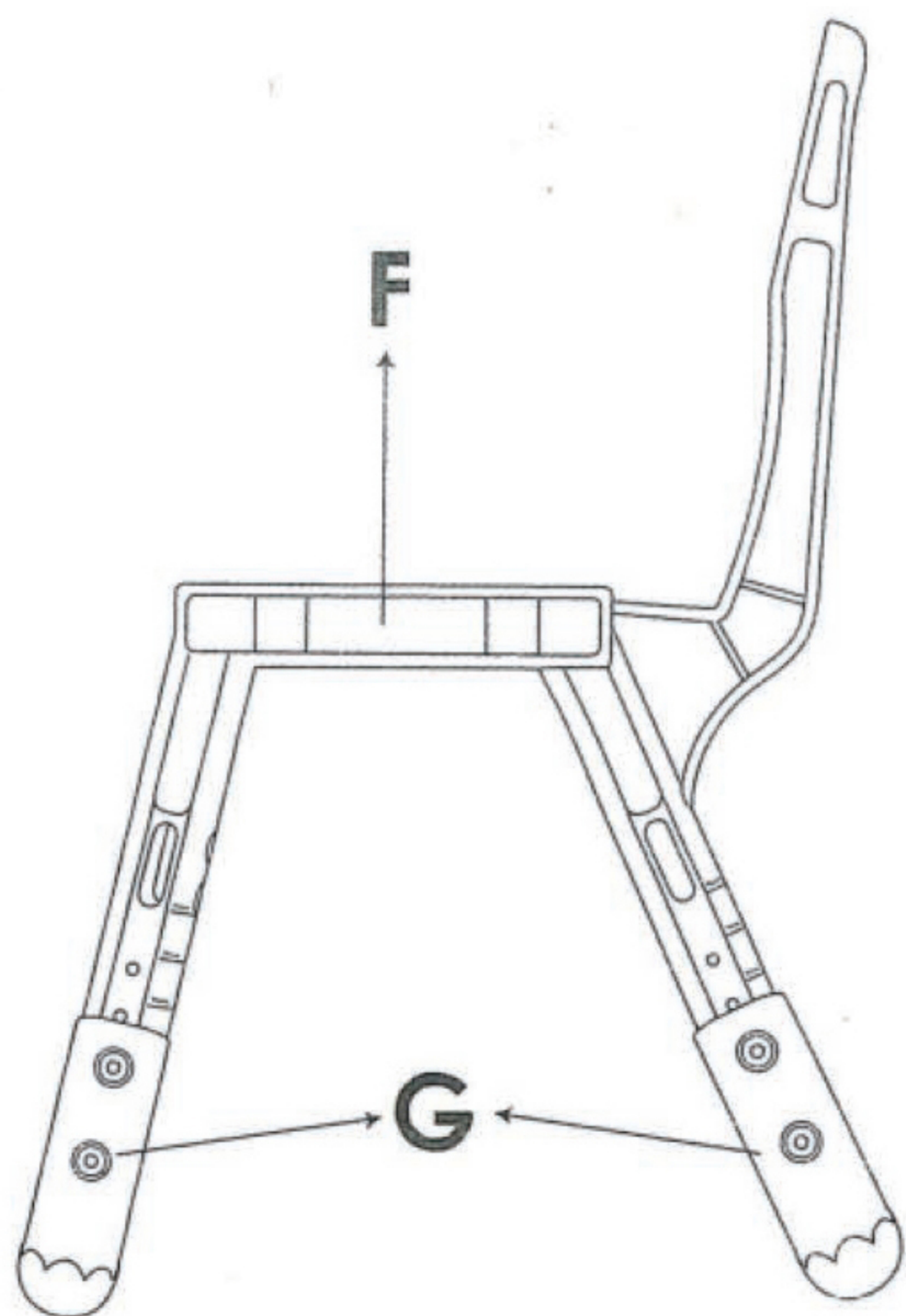


I
+2(spare)
M5*20mm



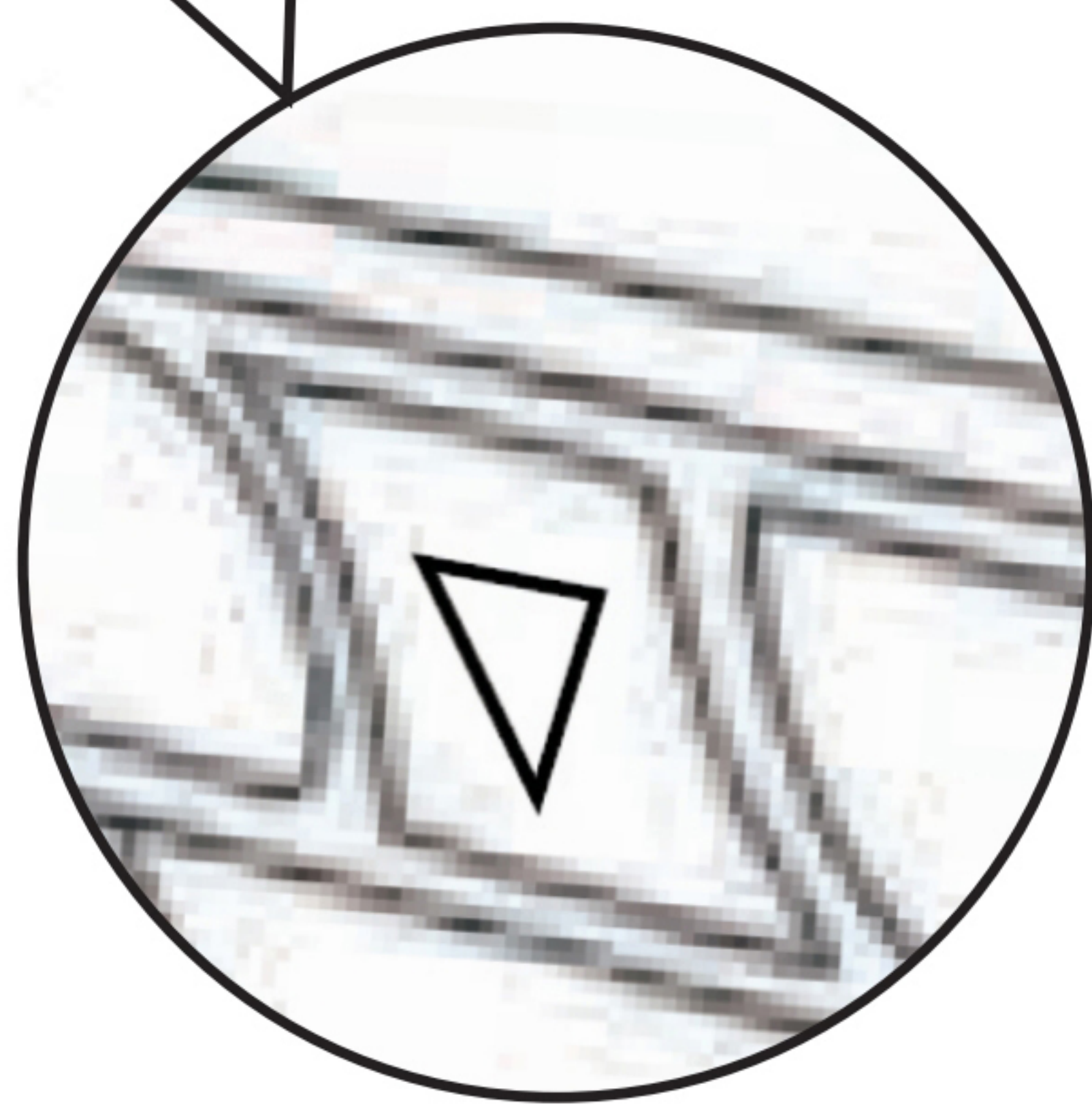
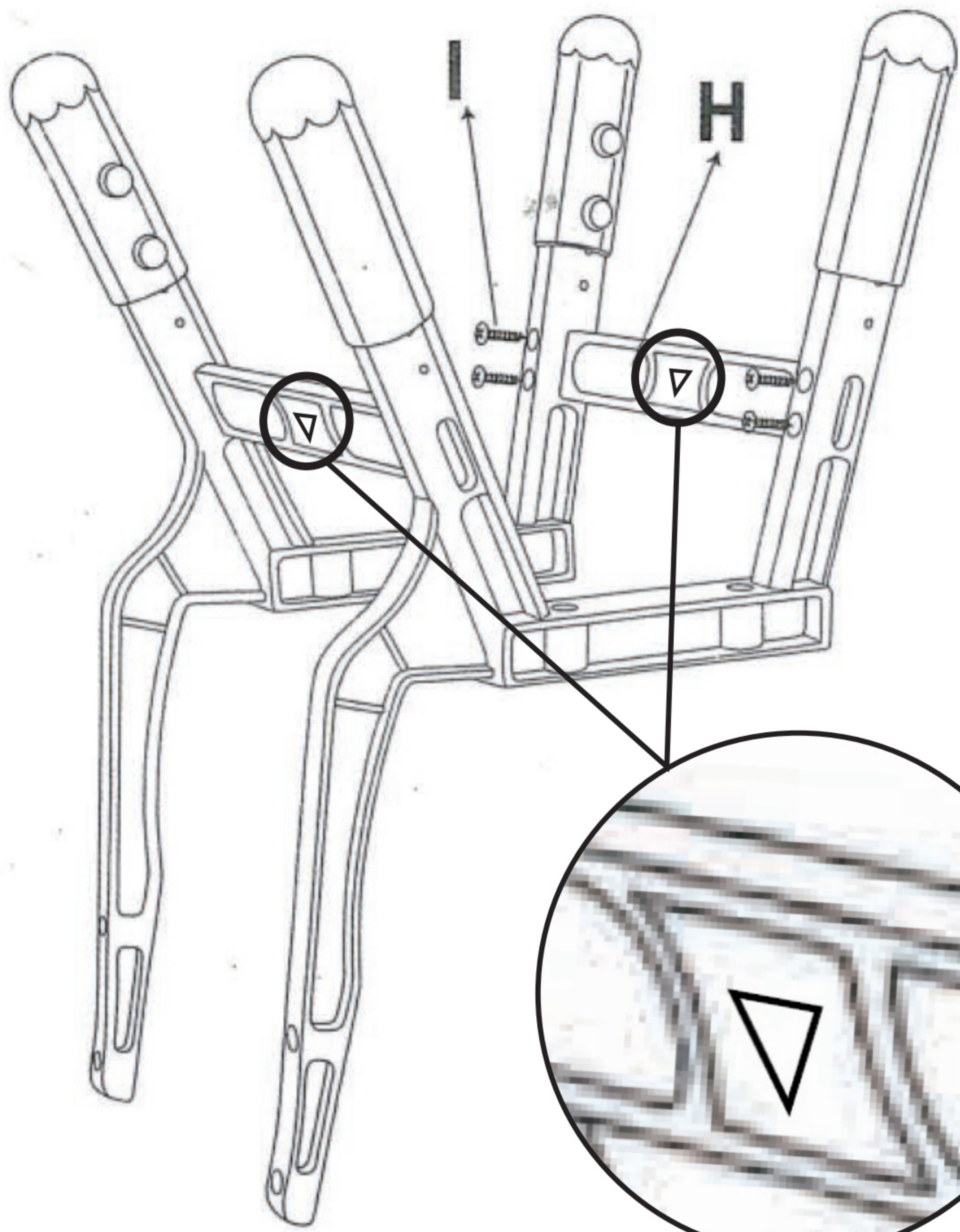
1 Chair: 24 Screws

I x 8

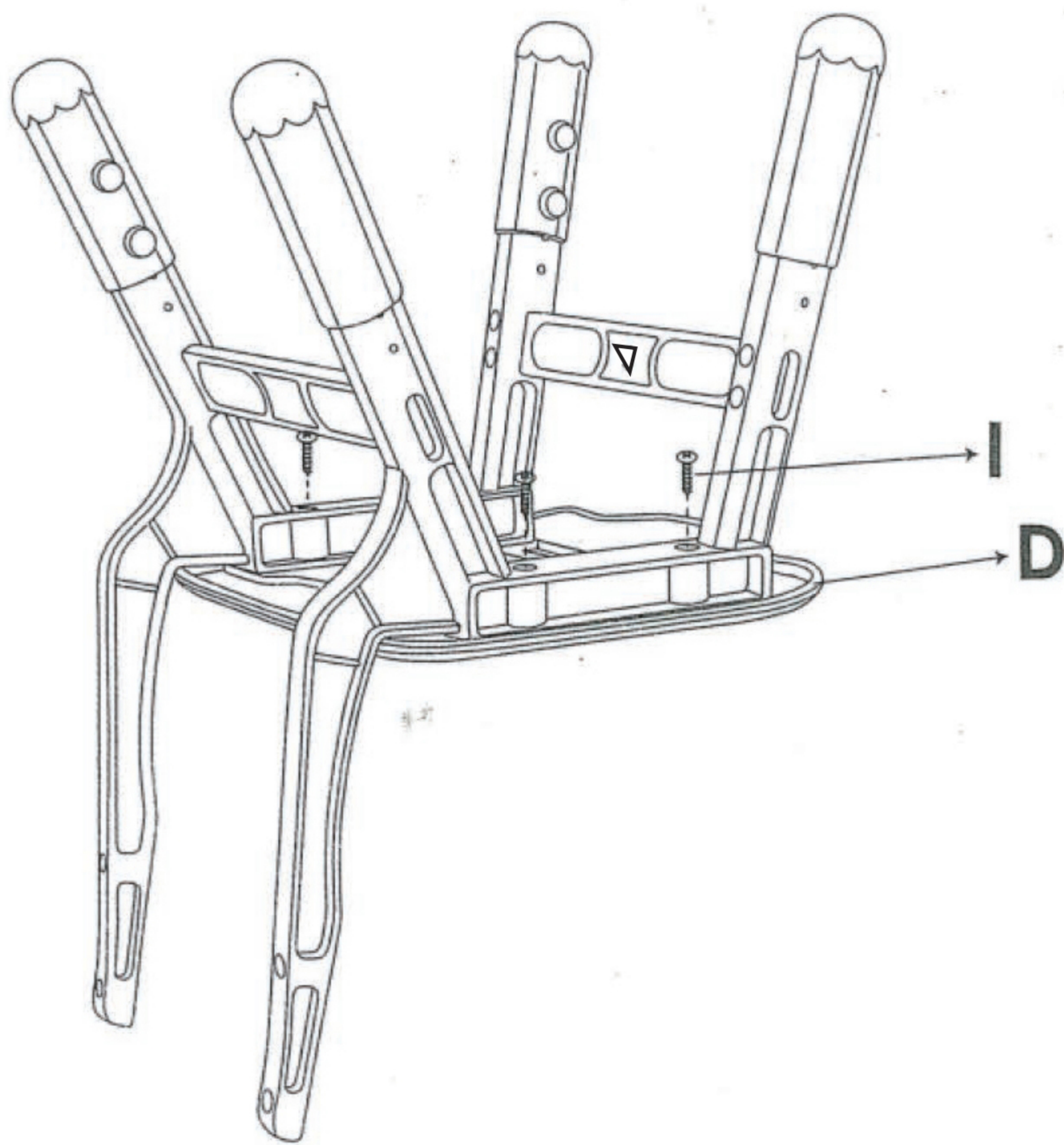


Adjustable height according to hole position.

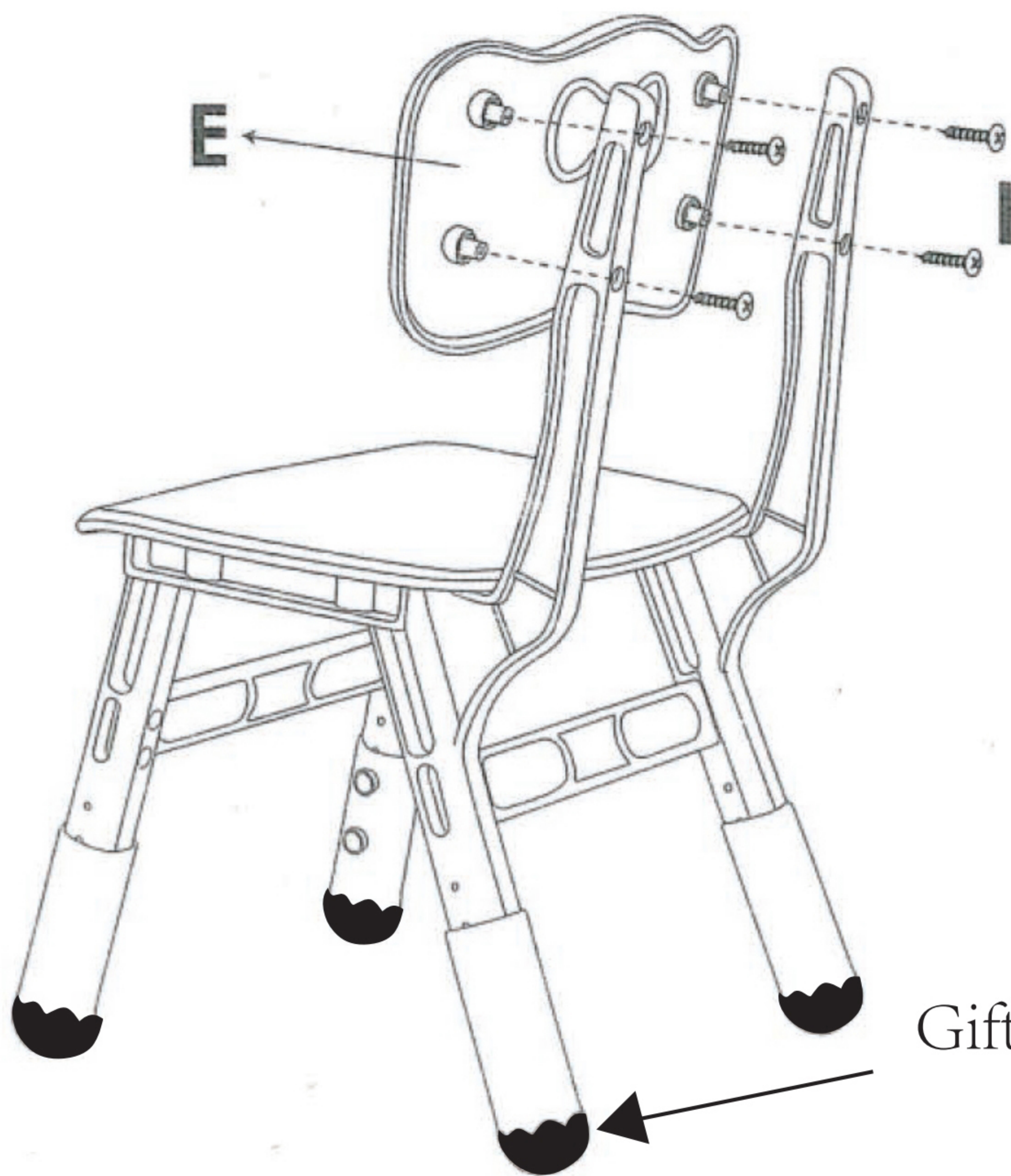
I x 8



I x 4



I x 4



Gift of anti-slip foot cover