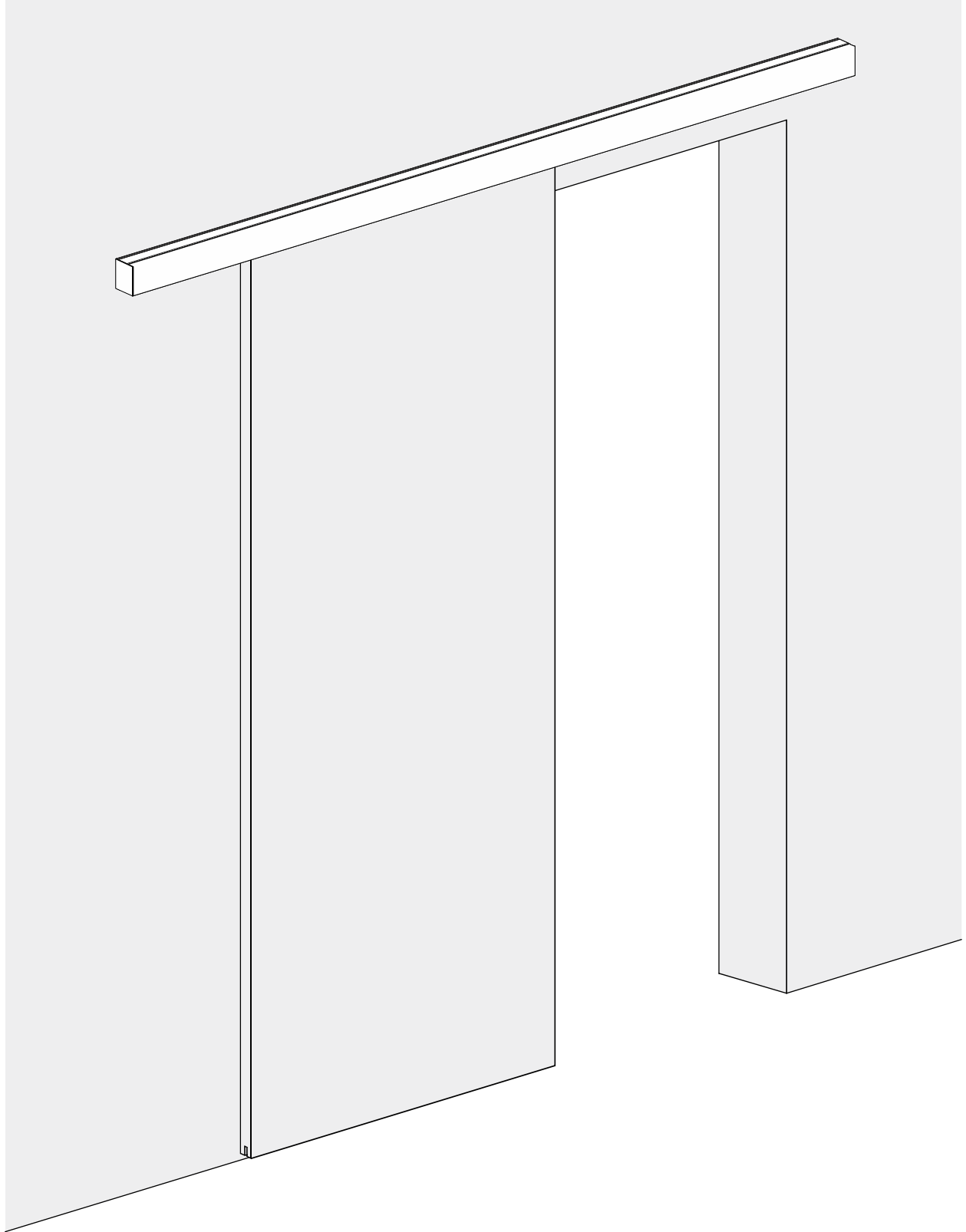


Installation Manual

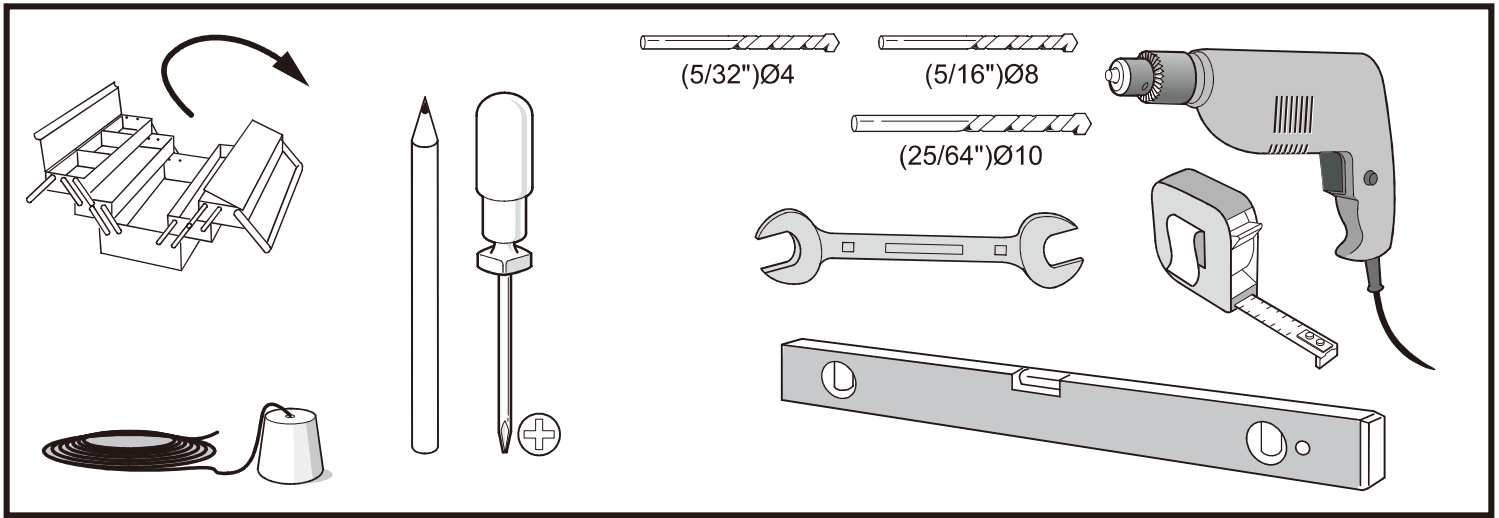
Any question please contact us:
support@jubest.com

TSQAL09-8FT



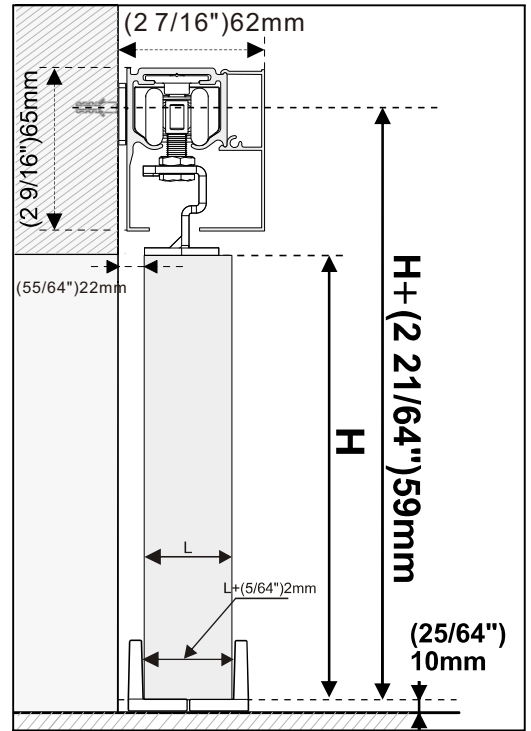
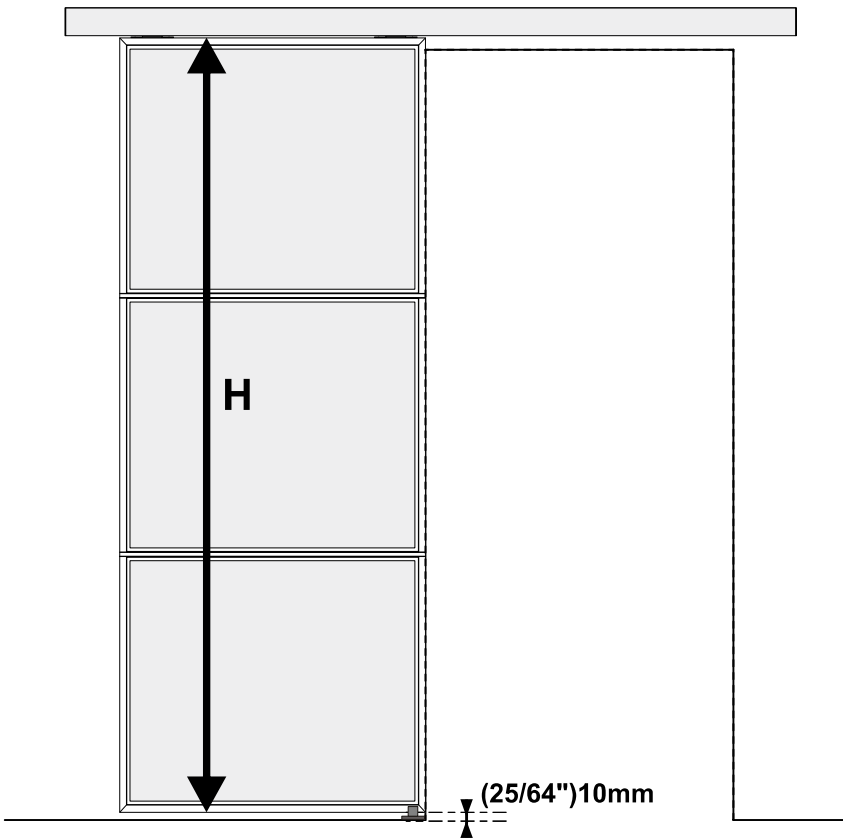
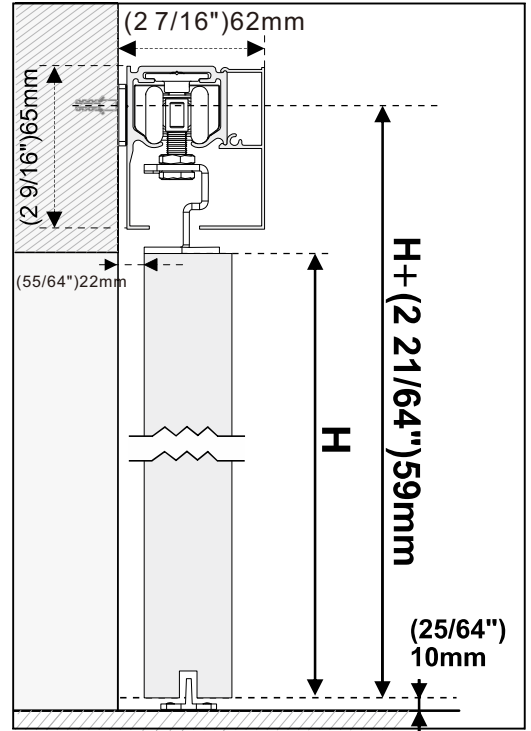
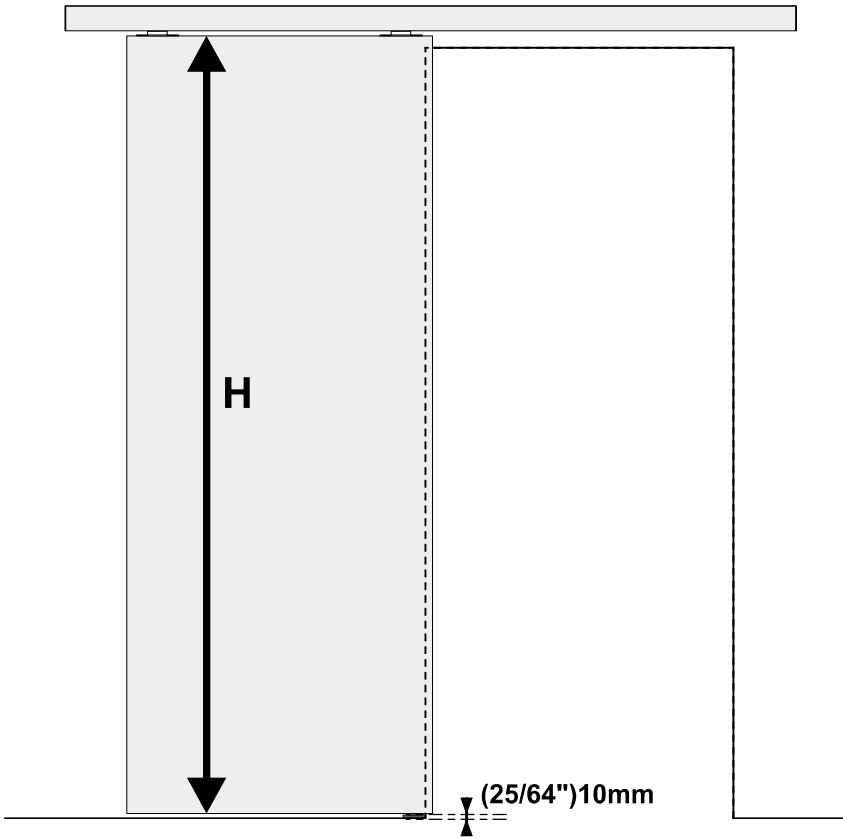
Pre -installation

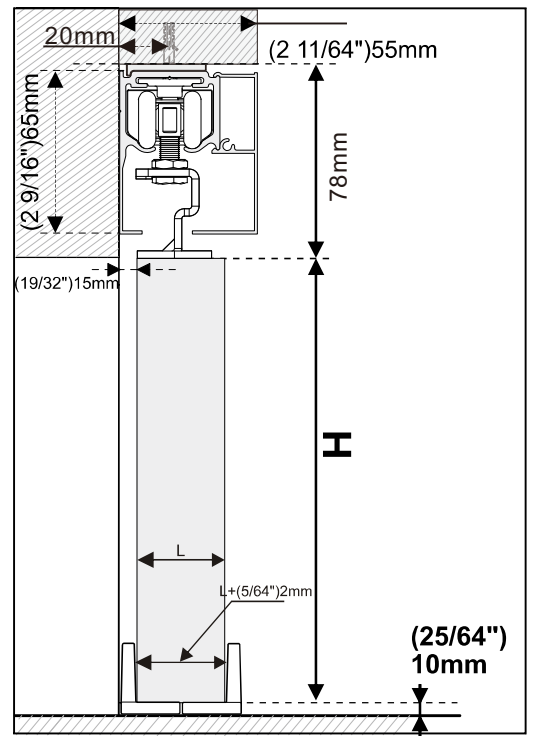
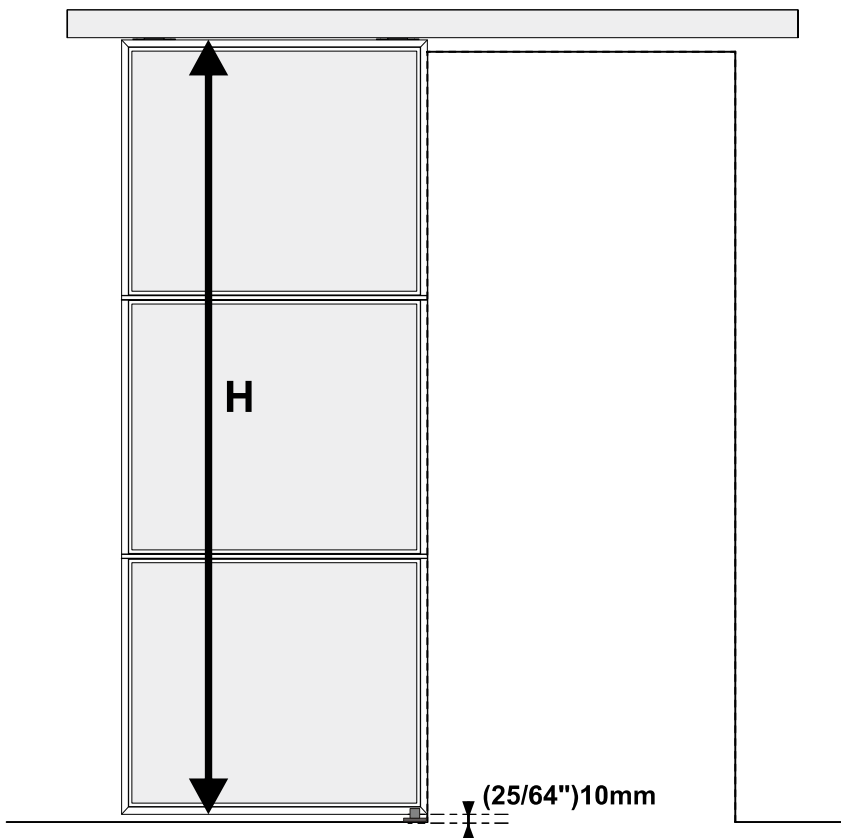
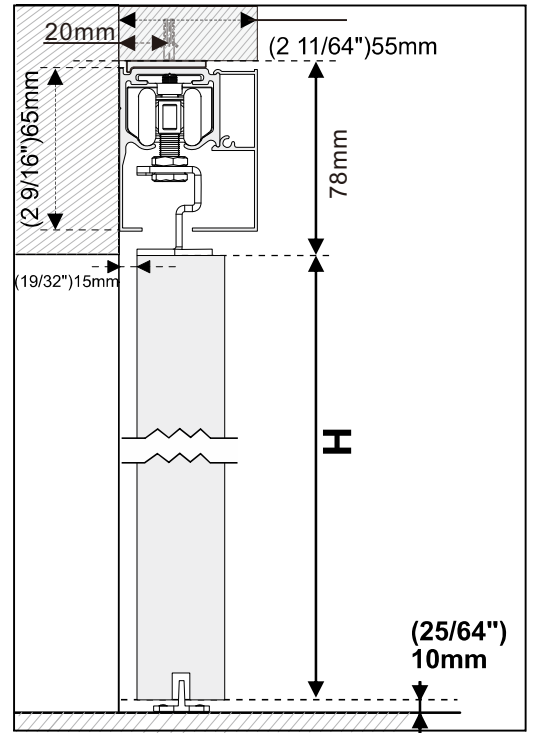
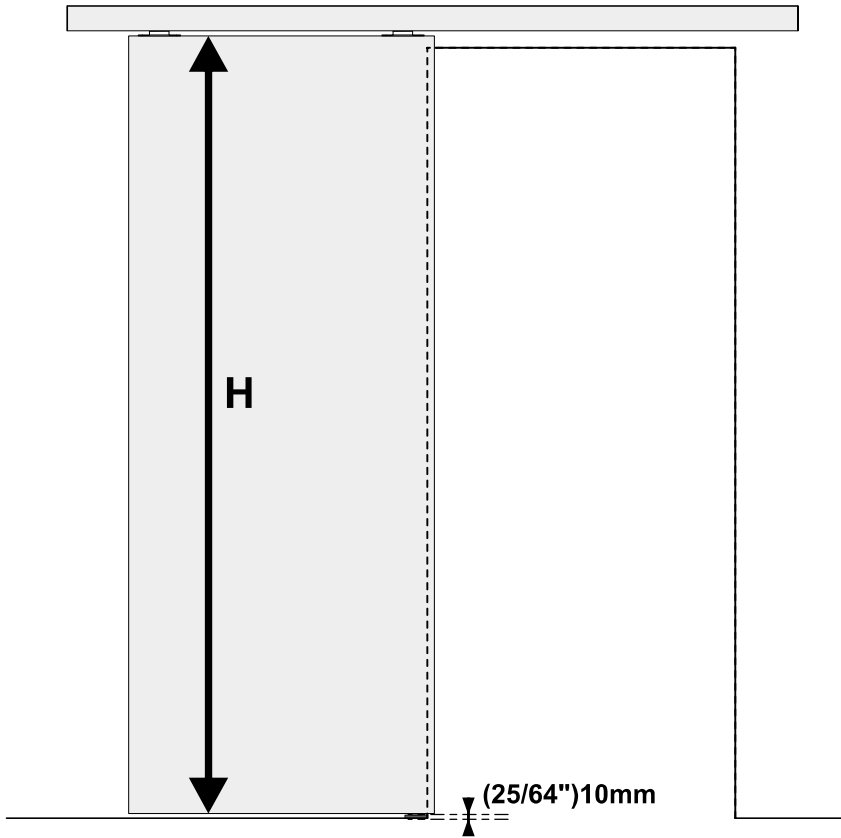
TOOLS REQUIRED



HARDWARE INCLUDED

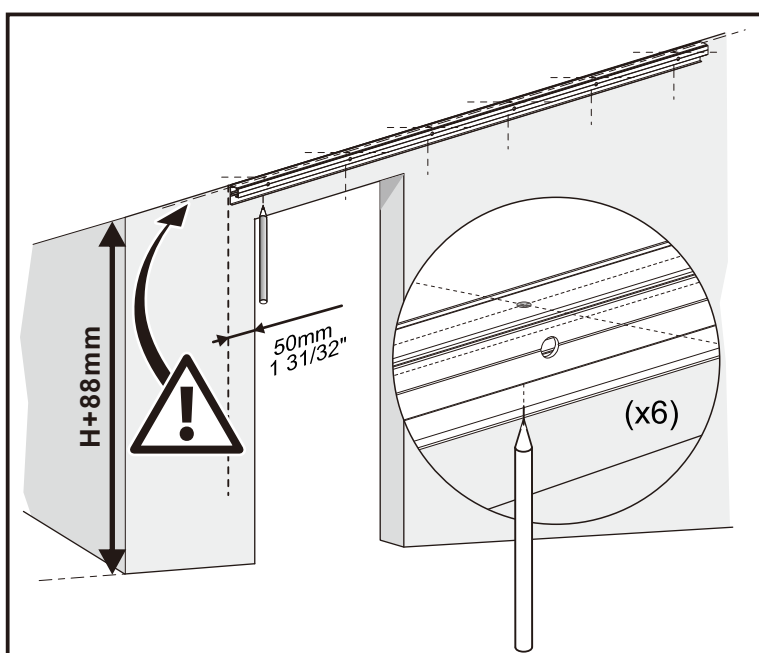
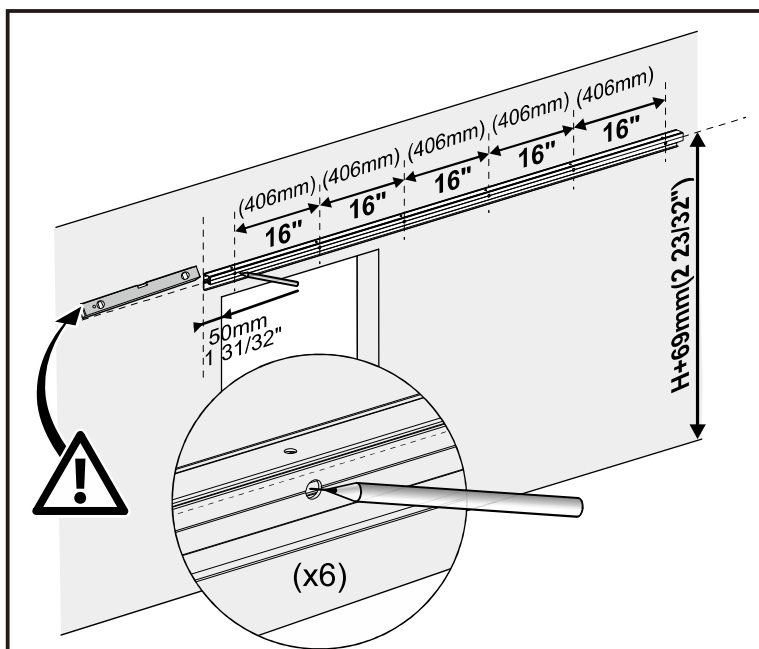
<p>(x6) 5/16" Ø8 (x6) 3/16"x1 31/32" ST4.8x50</p>	<p>(x1)</p>	<p>(x1)</p>	<p>(x2) (x2)</p>		
<p>(x2)</p>	<p>(x4) 1/4x1 1/2" ST6.3x38 (x4) 15/64"x15/32" M6x12</p>	<p>(x1)</p>	<p>(x1)</p>	<p>(x1)</p>	<p>(x1)</p>
<p>(x1)</p>	<p>(x4) 11/64"x63/64" ST4.2x25 (x4) 5/16" Ø8</p>	<p>(x1)</p>	<p>(x2) 11/64"x63/64" ST4.2x25 (x2) 5/16" Ø8</p>	<p>(x1)</p>	<p>(x1)</p>
<p>(x6)</p>	<p>(x6)</p>				





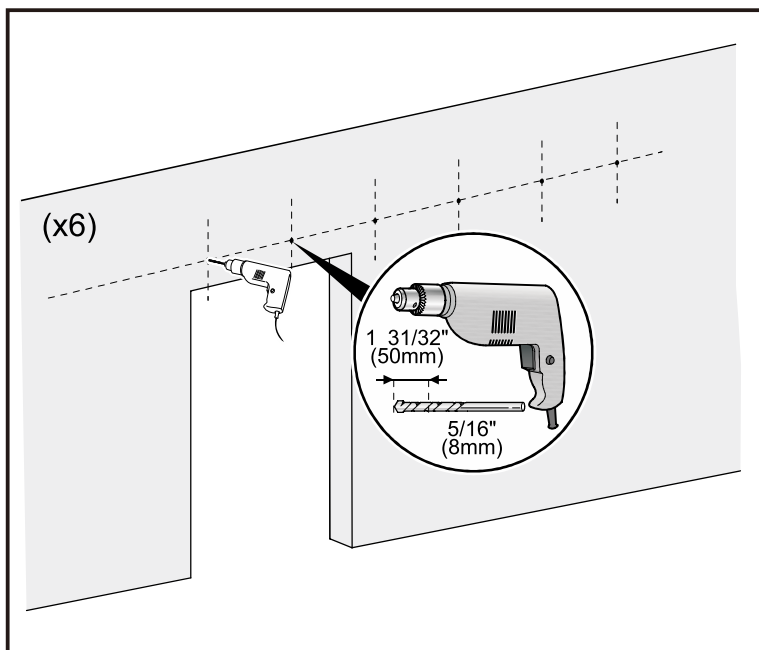
Step 1. CONCRETE Wall Preparation1

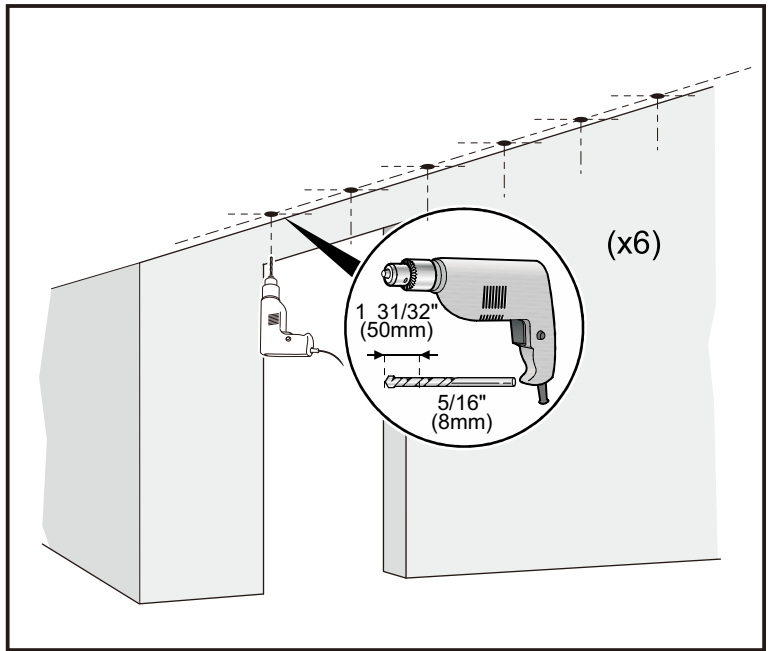
Position the rail in place ensuring that it is level, mark the holes on the rail using a pencil



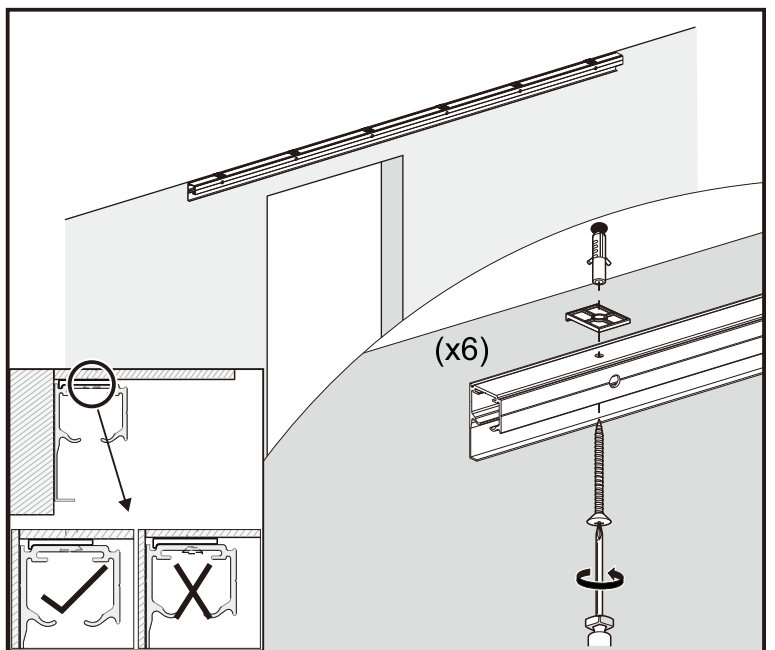
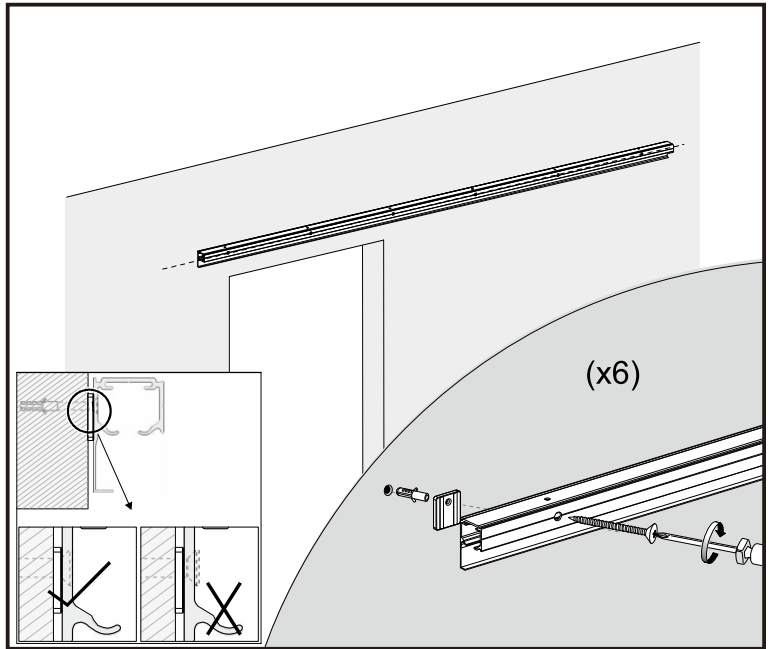
Step 2. CONCRETE Wall Preparation2

pre-drill $25/64''$ holes into the concrete.



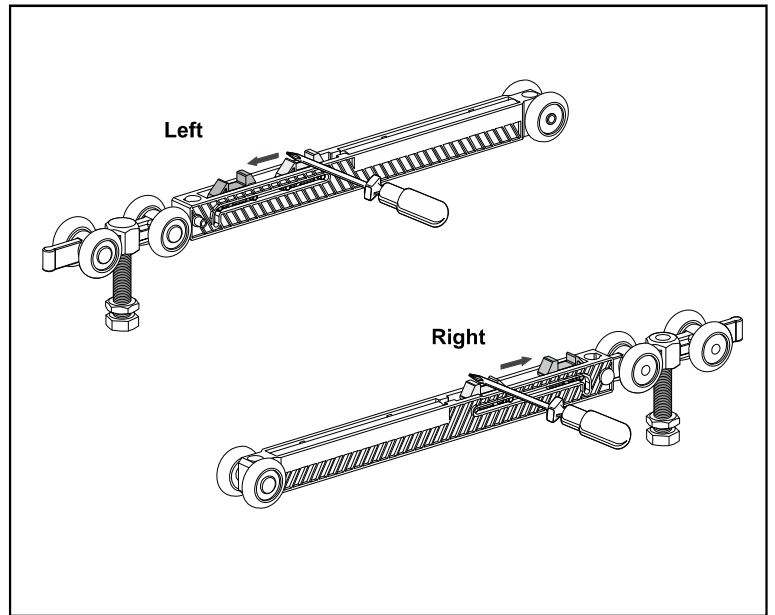


Step 3. CONCRETE Rail Installation



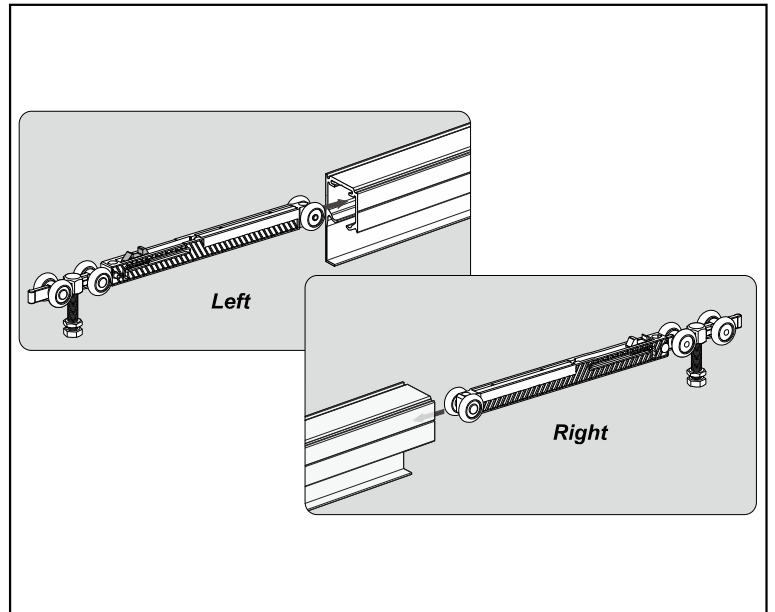
Step 4. Adjusting soft close

Adjust the soft close to the proper position by screwdriver



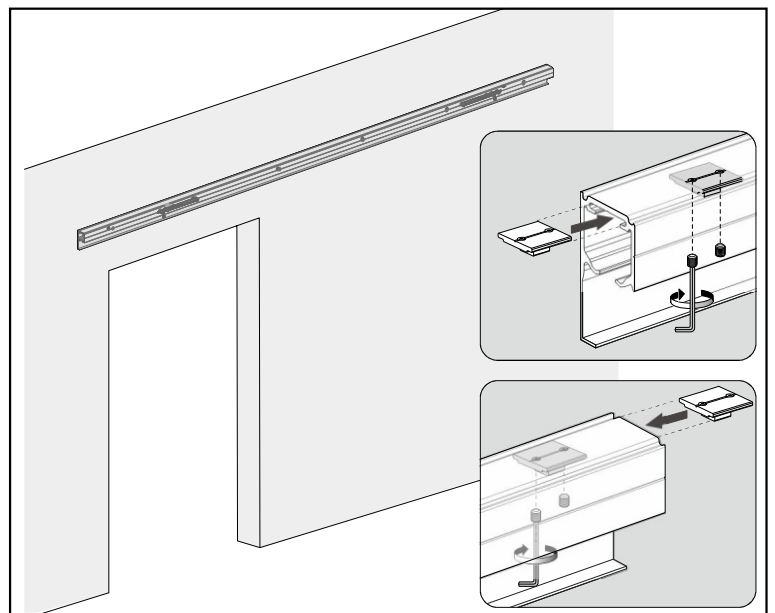
Step 5. Install the pulley

Install the pulley into the rail as shown in the picture



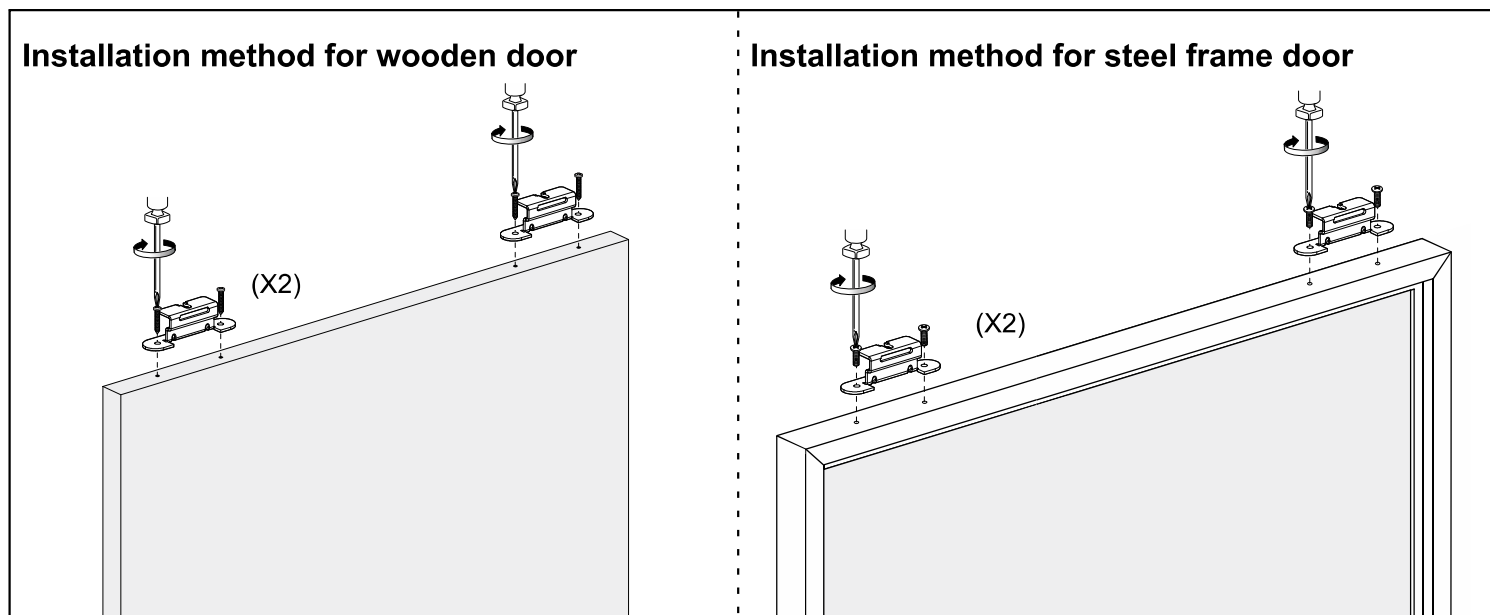
Step 6. Install Actuator

Install the actuator into the rail, then use an allen key to secure the screws to the actuator.



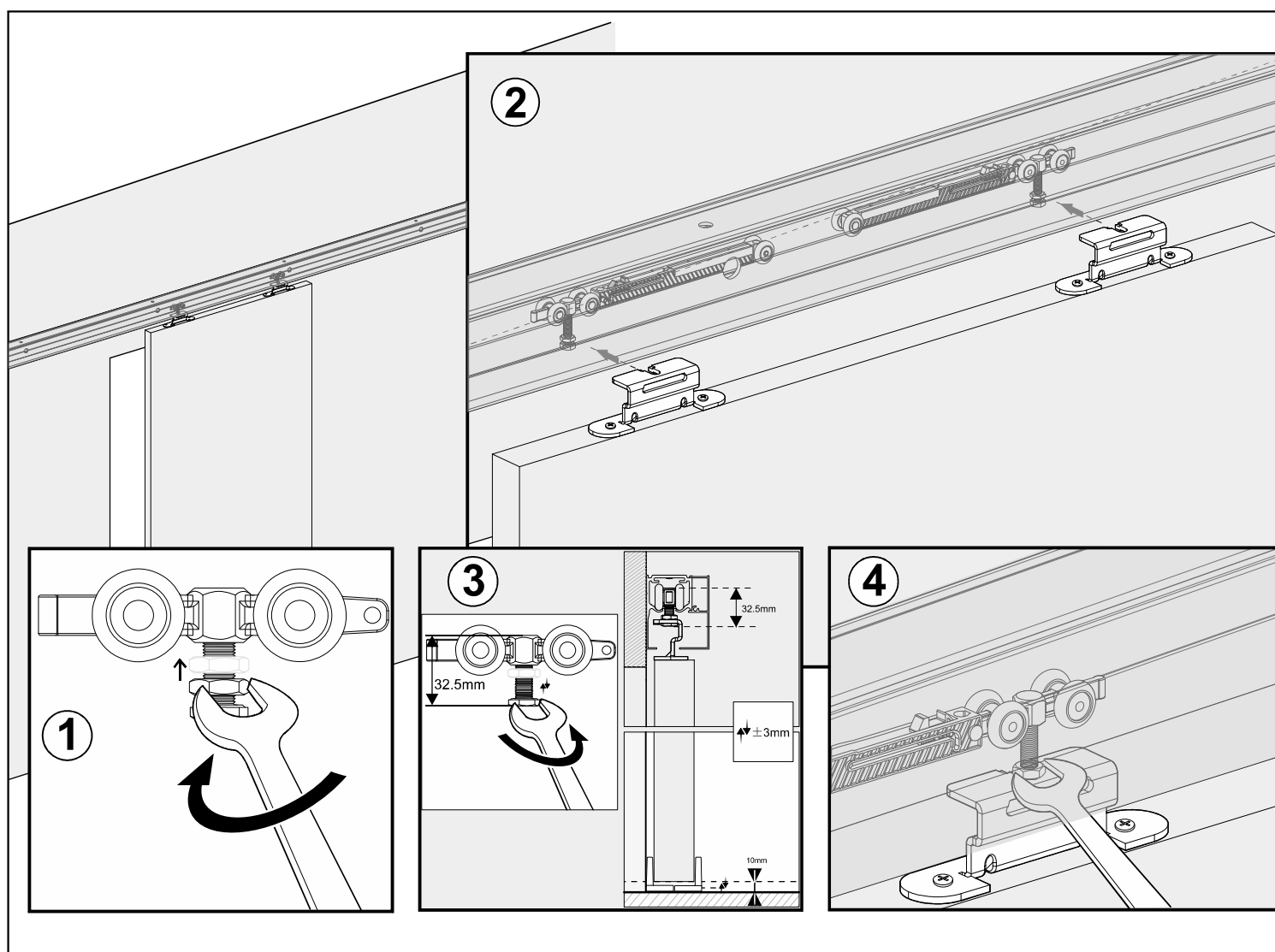
Step 7. Door Preparation – Strap Installation

Install the rollers on the top of door



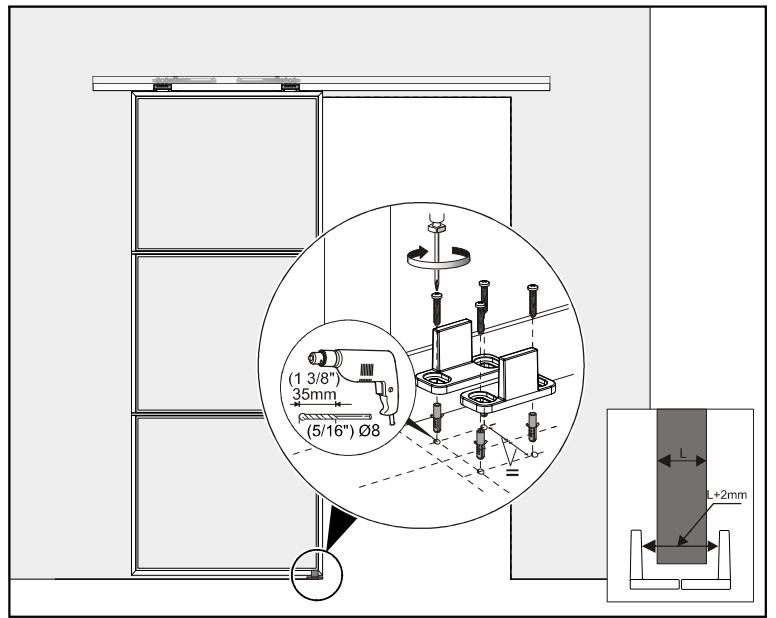
Step 8. Installation steps of pulley

Put the door onto the installed pulley, then use the wrench to tighten the screws on the pulley.



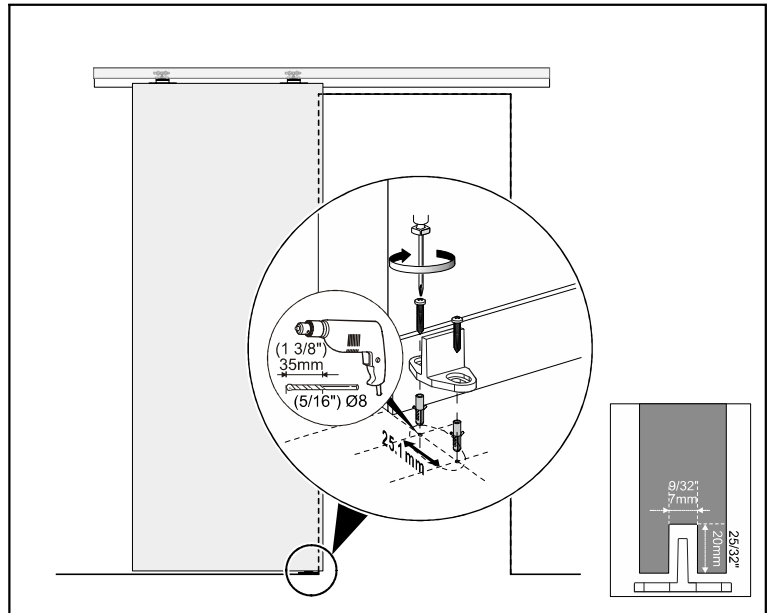
Step 9. Floor-Mounted Door Guide Installation

Once the door is plumb, position the floor-mounted door guide inside the mortised door, line up close to the opening. Slide the door side-to-side to ensure functionality for final placement then mark holes with a pencil and pre-drill $5/16''$ holes. If drilling directly into a concrete floor, use the provided anchors.

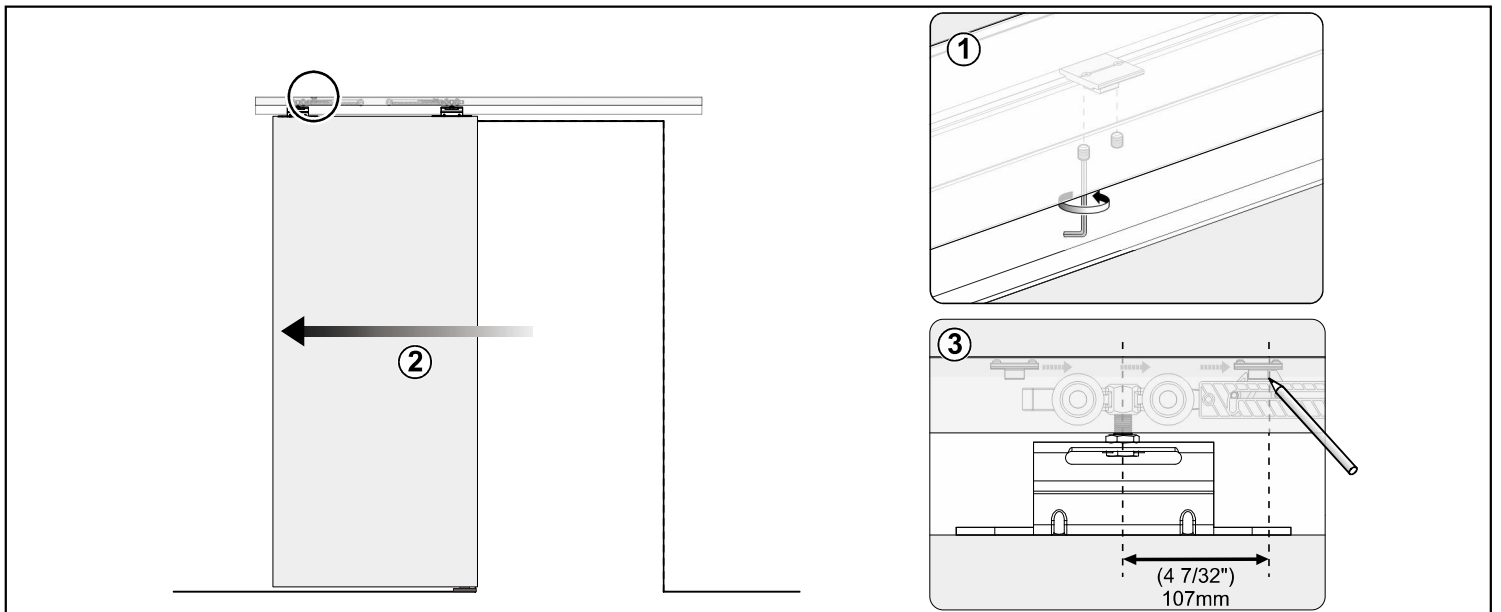


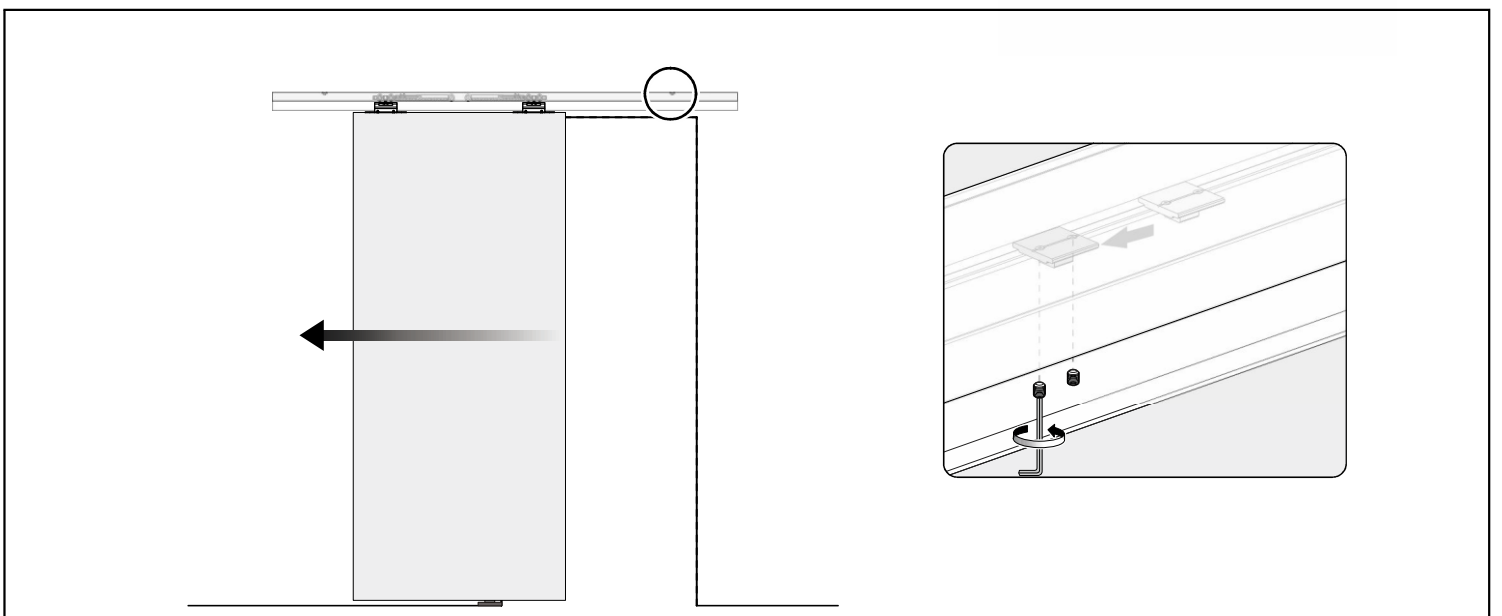
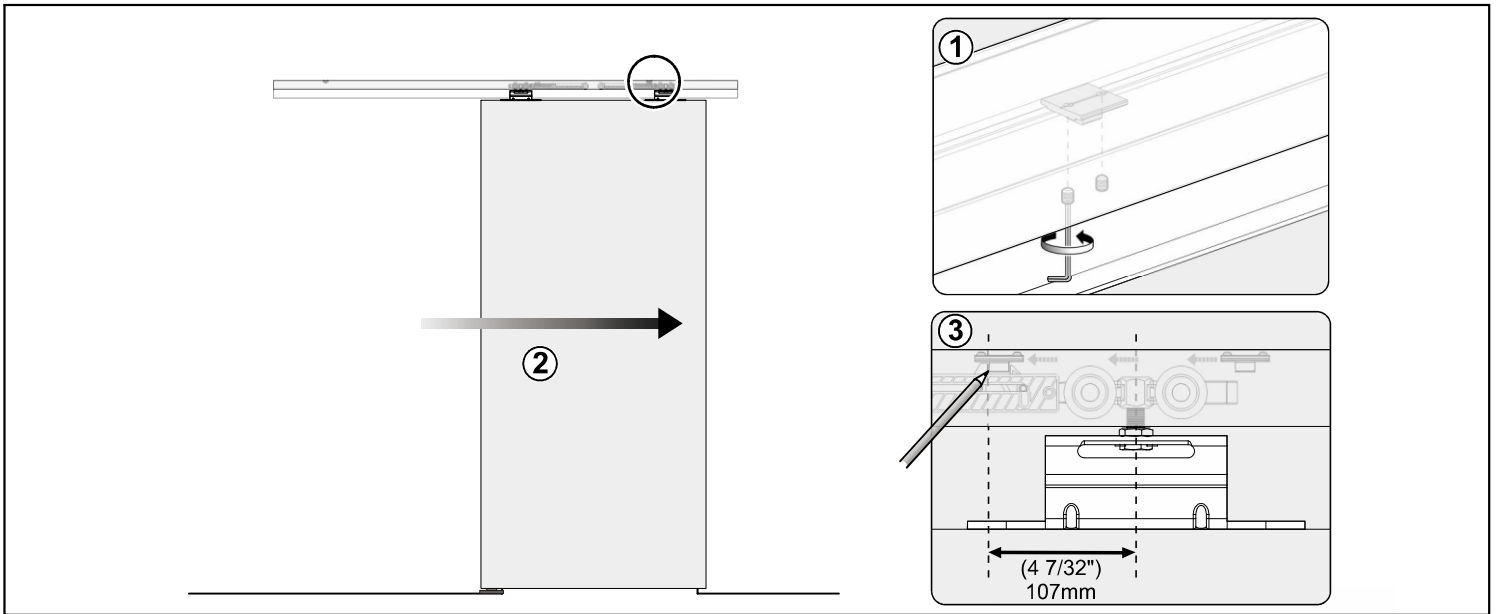
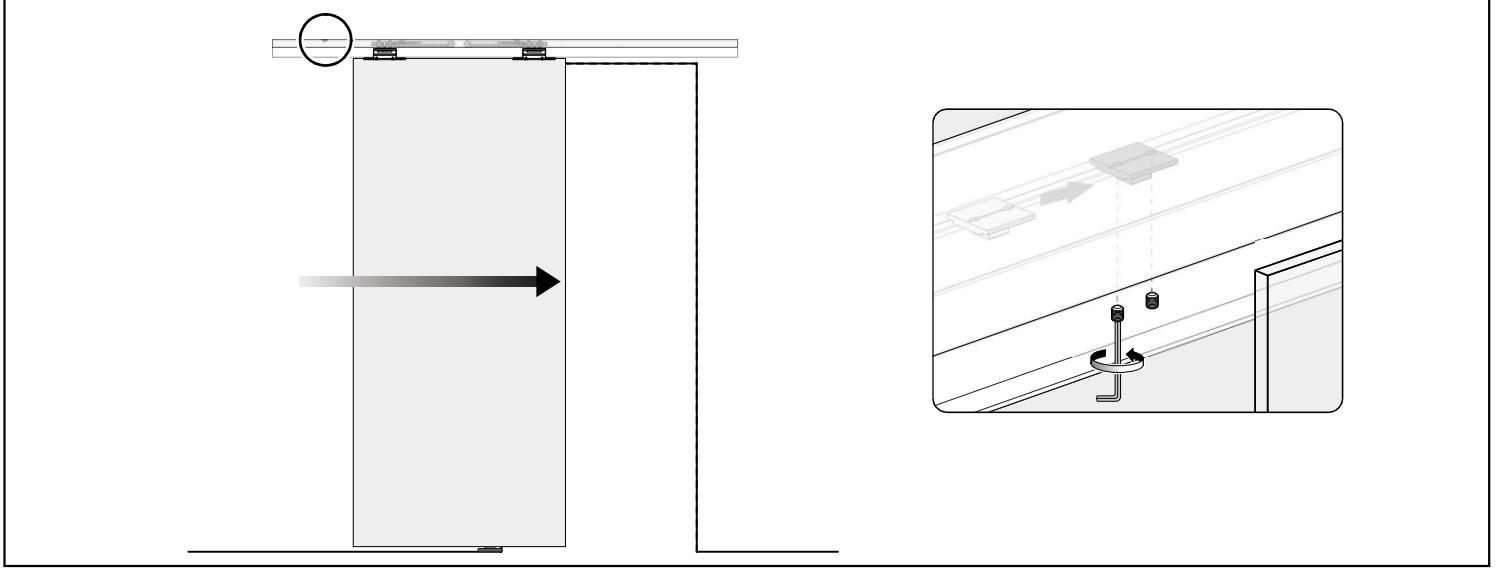
Step 10 .Floor-Mounted Door Guide Installation

Once the door is plumb, position the floor-mounted door guide inside the mortised door, line up close to the opening. Slide the door side-to-side to ensure functionality for final placement then mark holes with a pencil and pre-drill $5/16''$ holes. If drilling directly into a concrete floor, use the provided anchors.



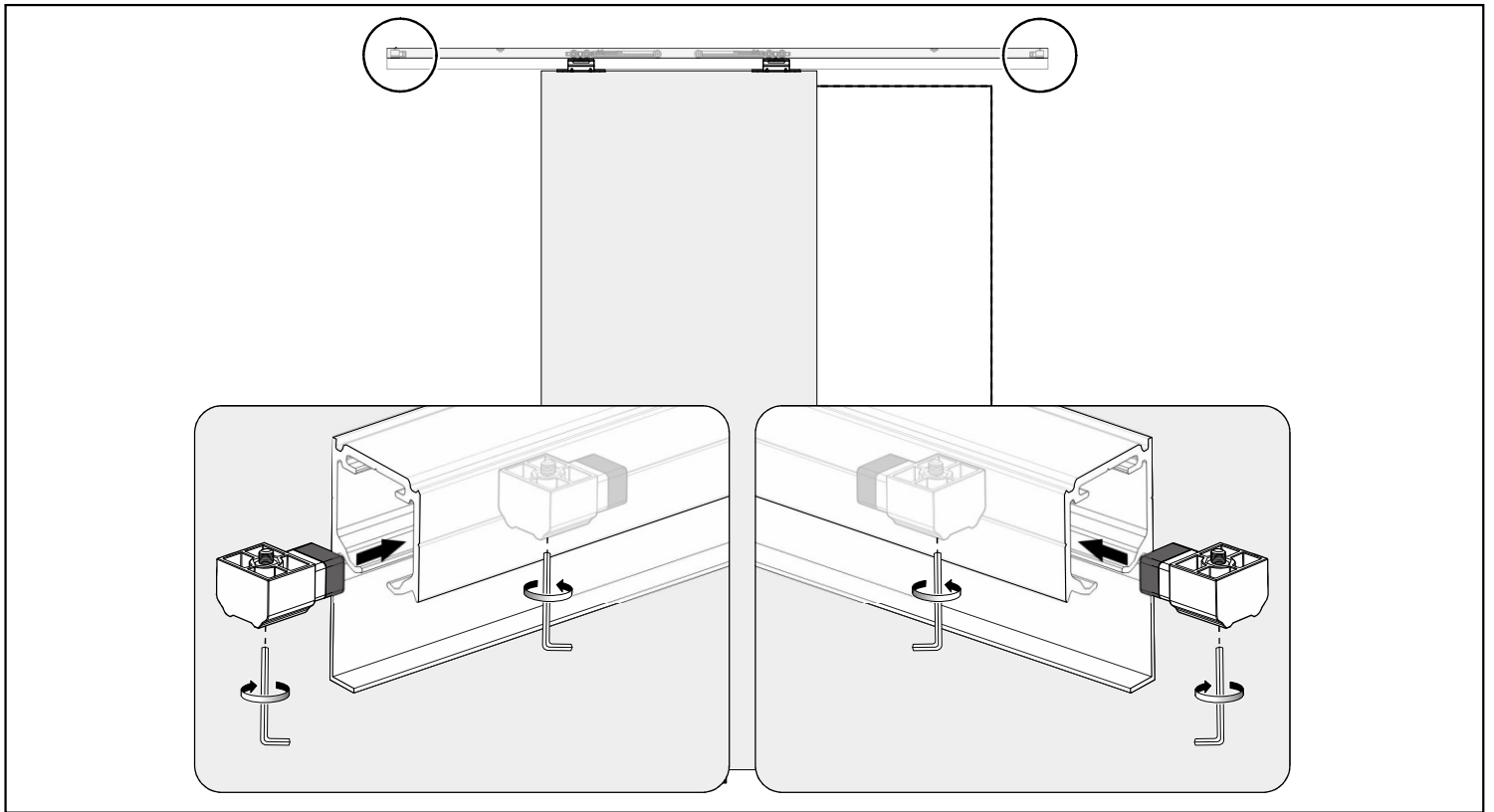
Step 11 .Installation of actuator





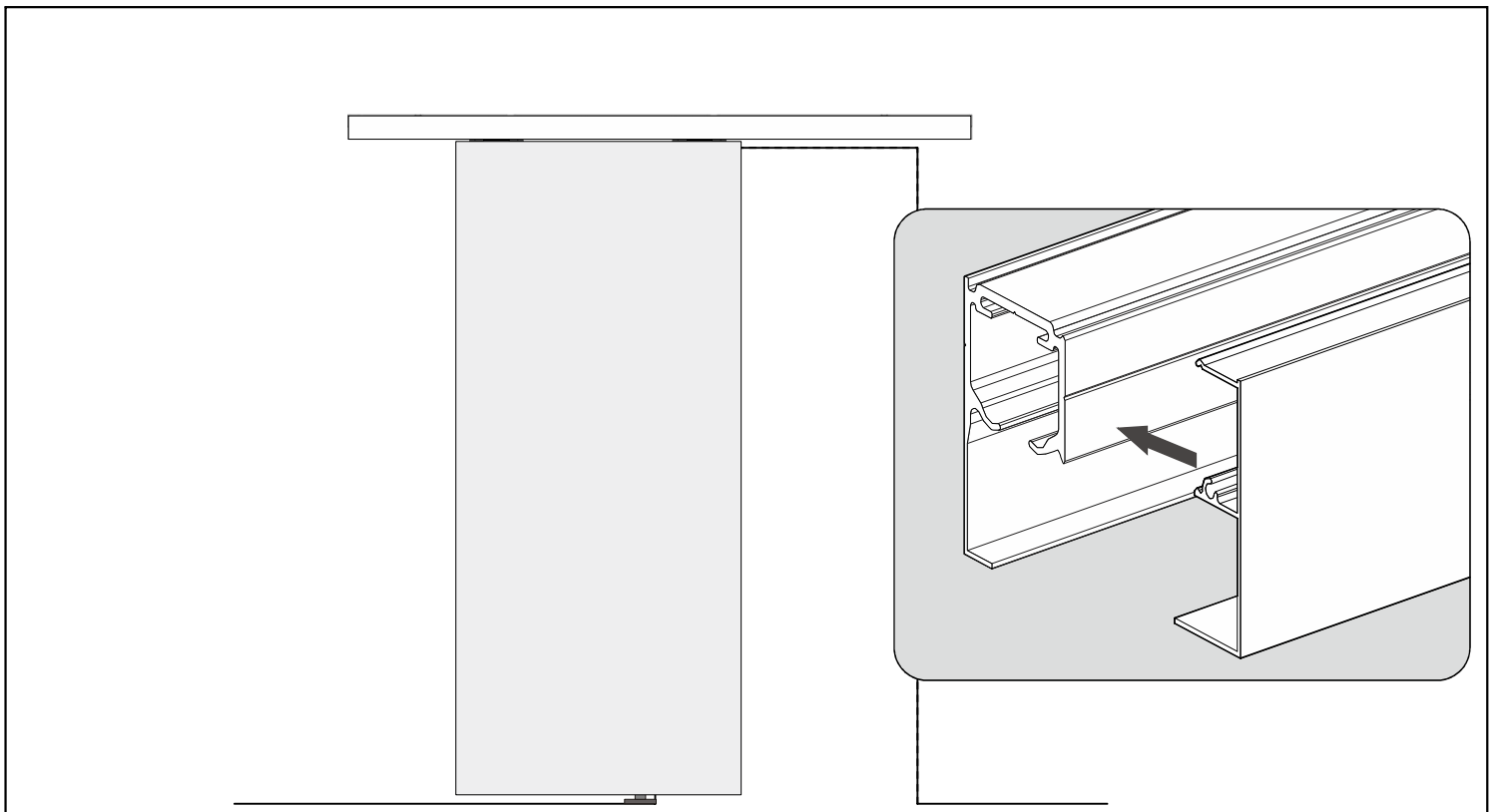
Step 12 .Stopper Installation

Slide the door closed and to correct position of both stoppers. Using the provided Allen key, tighten into position to complete the installation of the Barn Door Kit.



Step 13 .Install the cover

Put the cover onto the rail parallel and align the ends



Step 14 .Install sealing piece

Install the sealing piece on both sides of the rail

