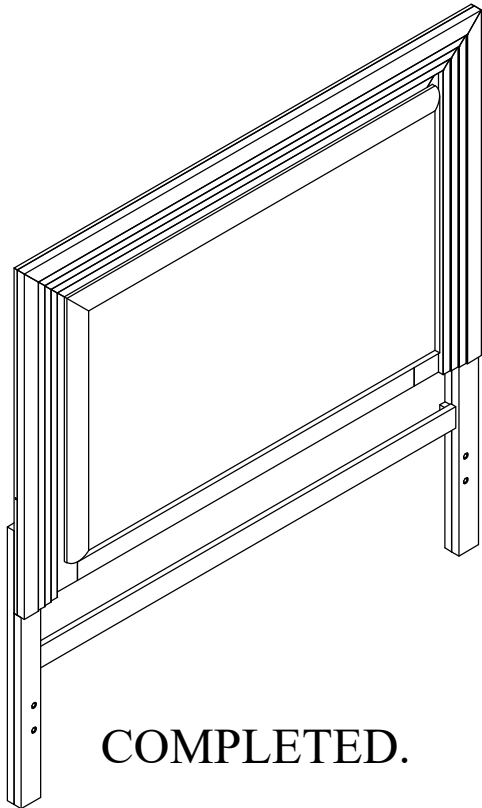


ASSEMBLY INSTRUCTIONS

2042-9KH

KING BED - WHITE



COMPLETED.

PARTS LIST

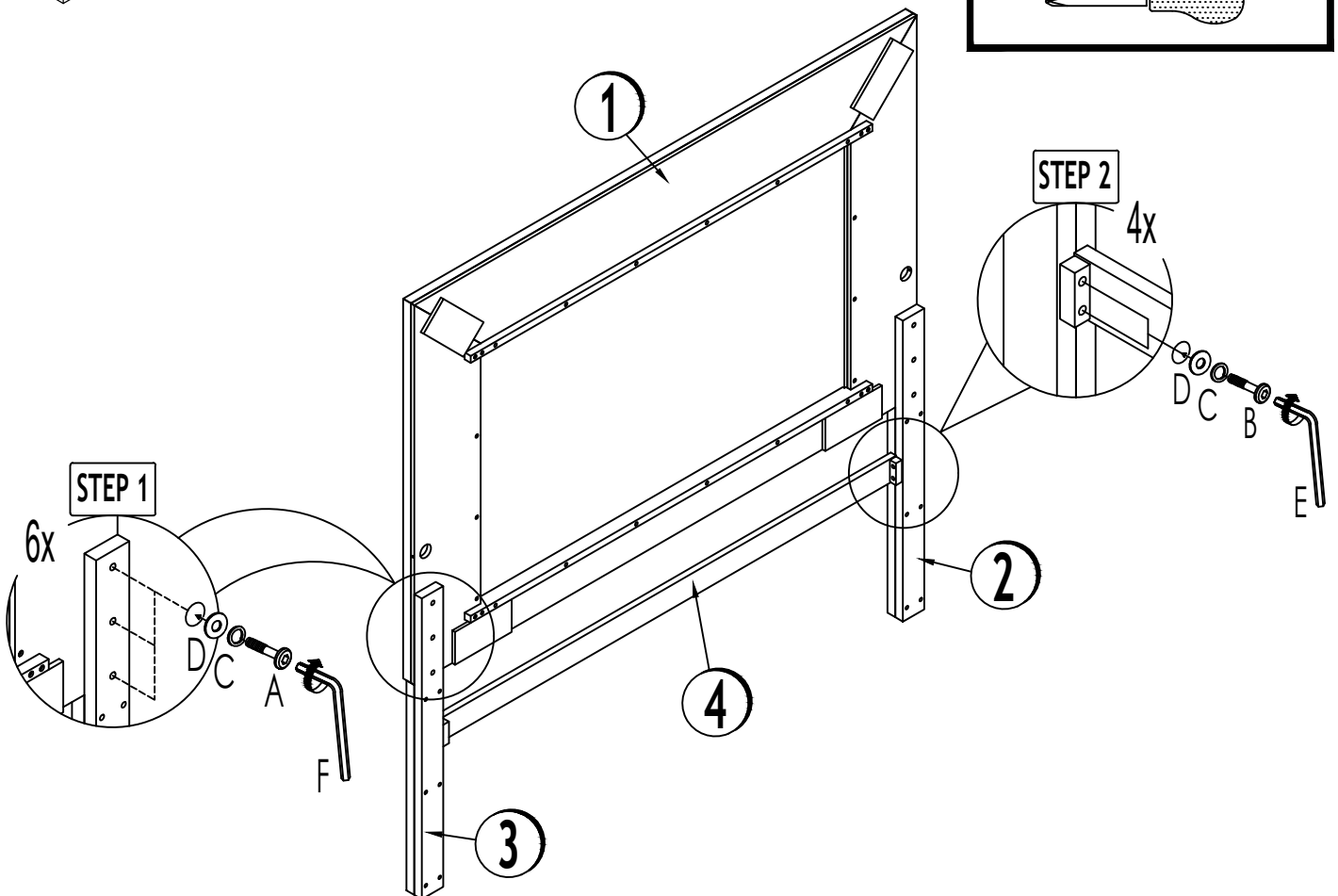
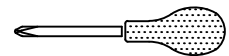
NO	DESCRIPTION	QTY
1	HEADBOARD	1 PC.
2	HEADBOARD LEG (L)	1 PC.
3	HEADBOARD LEG (R)	1 PC.
4	HB - STRETCHER	1 PC.

HARDWARE LIST

NO	DESCRIPTION	SIZE	QTY
A	JCBB	M8 x 40mm	6 PCS.
B	JCBC	M6 x 35mm	4 PCS.
C	SPRING WASHER	M8 x 18mm	10 PCS.
D	FLAT WASHER	M8	10 PCS.
E	ALLEN KEY	M4	1 PC.
F	ALLEN KEY	M5	1 PC.



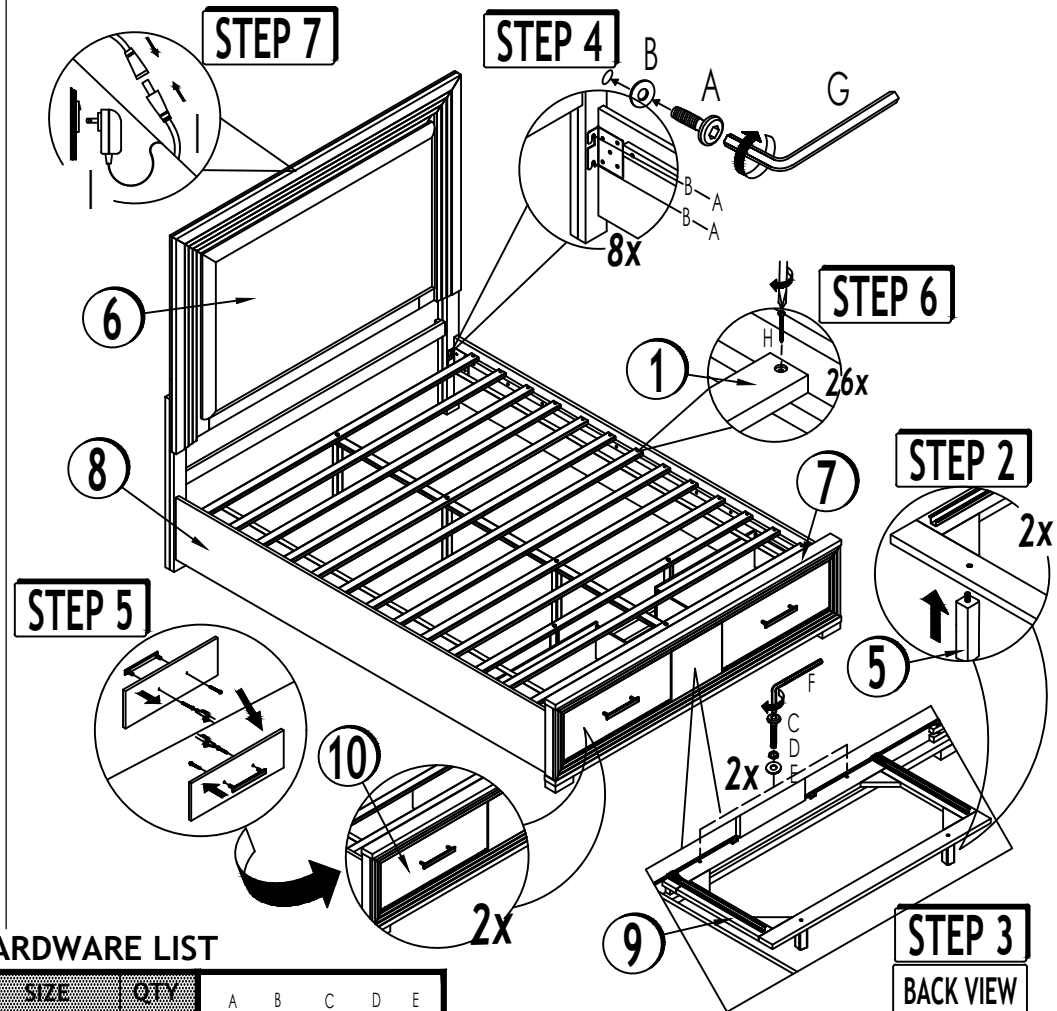
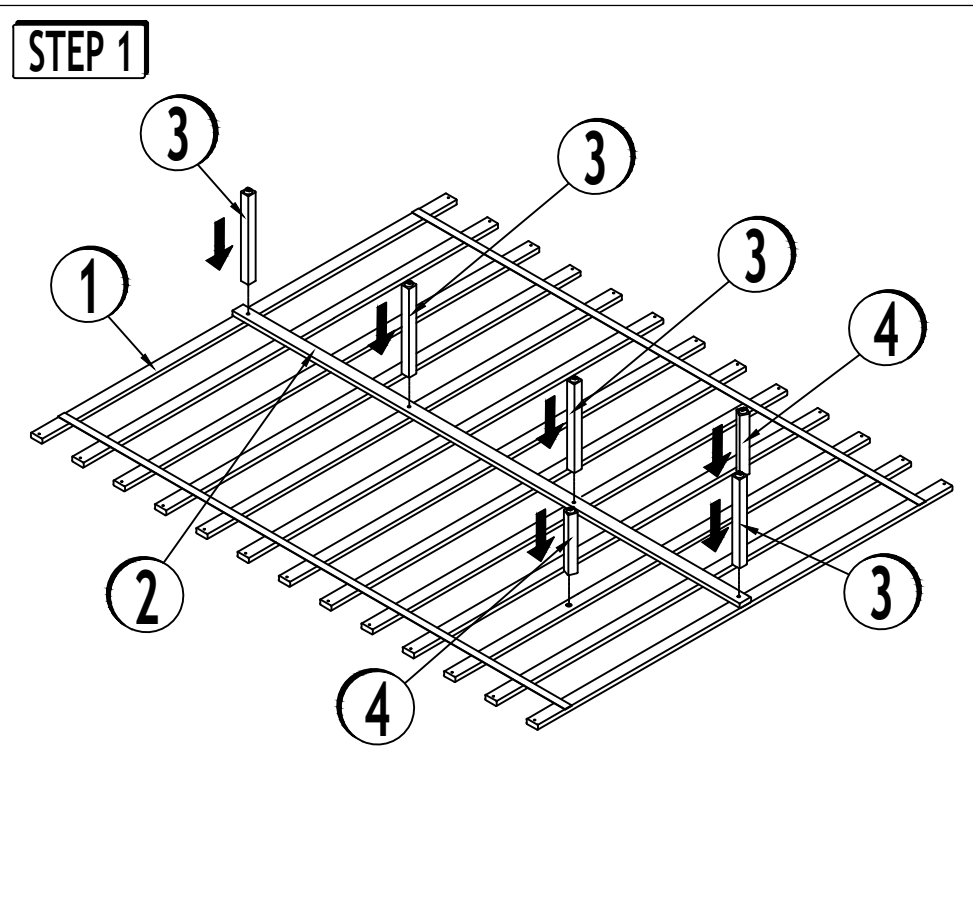
TOOL REQUIRED (NOT PROVIDED)



ASSEMBLY INSTRUCTIONS

2042-9KH / 2042-9KF / 2042-9KDR / 2042-9R

KING BED - WHITE



PARTS LIST

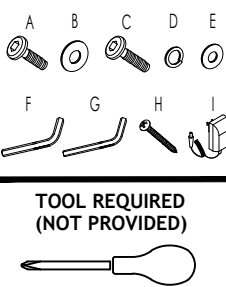
NO.	DESCRIPTION	QTY.
1	SLAT	1 PC.
2	CENTER RAIL	1 PC.
3	VERTICAL LEG LONG	4 PCS.
4	VERTICAL LEG MEDIUM	2 PCS.
5	VERTICAL LEG SHORT	2 PCS.

PARTS LIST

NO.	DESCRIPTION	QTY.
6	HEADBOARD	1 PC.
7	FOOTBOARD	1 PC.
8	SIDE RAIL	2 PCS.
9	DRAWER FRAME SUPPORT	1 PC.
10	DRAWER BOX	2 PCS.

HARDWARE LIST

NO.	DESCRIPTION	SIZE	QTY.
A	JCBB	M8 x 20MM	8 PCS.
B	FLAT WASHER	M8 x 18MM	8 PCS.
C	JCBC	M6 x 35MM	2 PCS.
D	SPRING WASHER	M6	2 PCS.
E	FLAT WASHER	M6 x 13MM	2 PCS.
F	ALLEN KEY	M4	1 PC.
G	ALLEN KEY	M5	1 PC.
H	PANHEAD SCREW ADAPTER	M4 x 30MM	26 PCS.
I	ADAPTER		1 PC.



IMPORTANT NOTE :

- * Place all wooden parts on a clean and smooth surface such as a rug or carpet to avoid the parts from being scratched.
- * Check to be sure that you have all parts and hardware.
- * Remove all wrapping materials, including staples & packing straps before you start to assemble.
- * Do not tighten all screws/bolts until all completely assembled.
- * Keep all hardware parts out of reach of children.