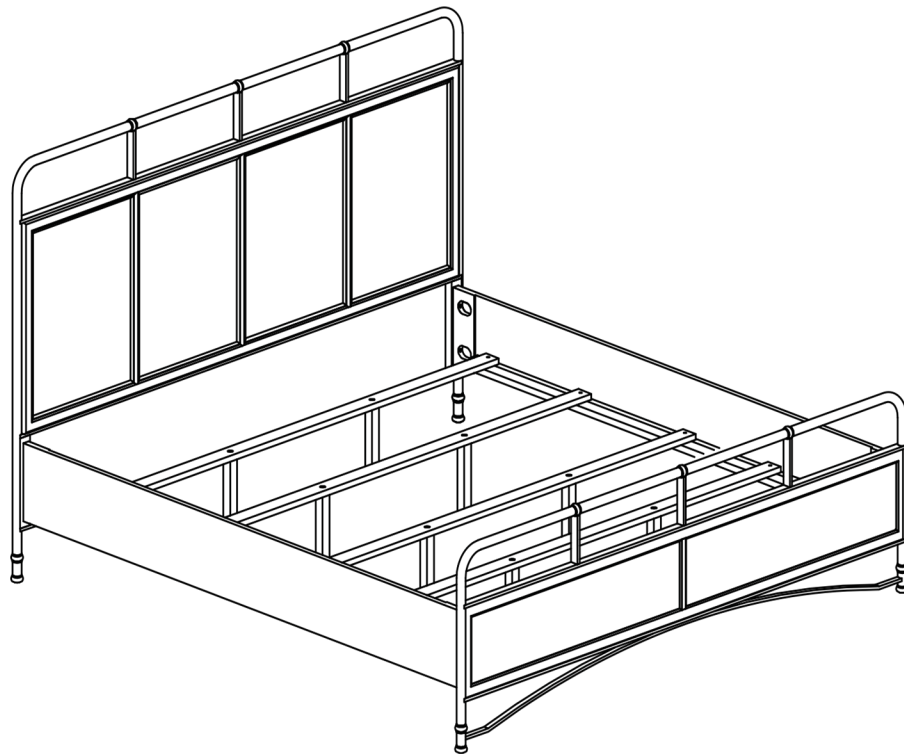


# Assembly Instructions



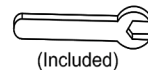
## ASSEMBLY RATING

The Assembly Rating is a 5-point system that shows the degree of effort needed in assembling a specific product (with 1 being easy and 5 being difficult). For some products, two persons are recommended.

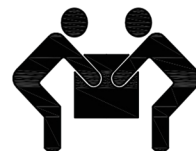
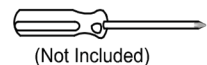
EASY  DIFFICULT

## Tools Required For Assembly:

Wrench



Phillips Screwdriver

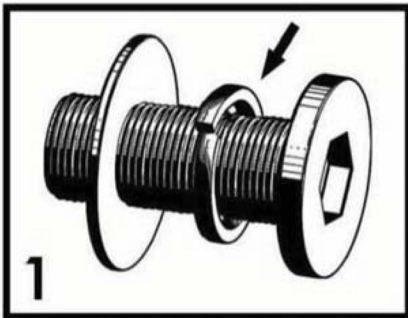


2 PERSONS RECOMMENDED

# ASSEMBLY & CARE ADVICE

FOR YOUR FURNITURE TO LAST, CORRECT ASSEMBLY AND PROPER MAINTENANCE ARE NECESSARY. PLEASE FOLLOW THE INFORMATION PROVIDED BELOW TO FULLY ENJOY YOUR FURNITURE.

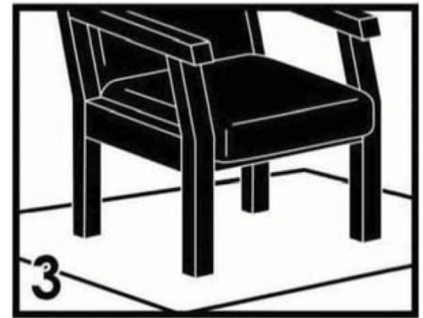
## BASIC ASSEMBLY TECHNIQUES



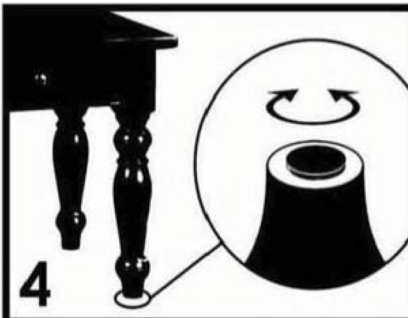
When lock or spring washer is used in an assembly, please make sure the lock or spring washer is placed between the larger flat washer and the head of the screw or bolt.



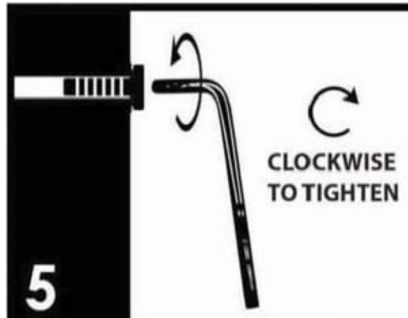
Position each part correctly and insert screws or bolts into their respective holes by hand tighten or using the proper hand tool. Only tighten when step is completed or when instructed to do so.



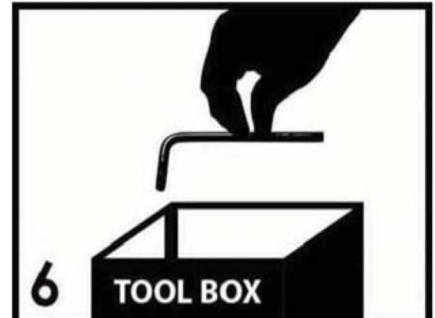
Use cardboard or carpet area when assembling furniture to prevent scratches. Make sure the furniture rests on a flat and level surface with each leg evenly touching the floor.



Some furniture comes with height adjustment knobs underneath each leg. To lower or to raise each leg, you need to turn clockwise or counterclockwise, respectively.



Make sure all parts are properly aligned, then use the appropriate hand tool to completely tighten the bolts or screws. Do not use power tools and do not overtighten.



Save the instructions and store the Allen wrench or any supplied tool for later maintenance. After two weeks, check and tighten any loose hardware and repeat again every six months thereafter.

IT IS THE USER'S RESPONSIBILITY TO MAINTAIN THE FURNITURE. THE HARDWARE MAY LOOSEN OVER TIME AND MAY CAUSE THE FURNITURE TO BE WOBBLY AND UNABLE TO SUPPORT ITS INTENDED WEIGHT CAPACITY. THIS MAY LEAD TO COLLAPSE AND MAY CAUSE SERIOUS INJURY.




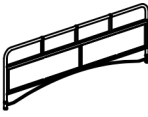



**FAILURE TO FOLLOW THE GUIDELINES ABOVE MAY RESULT IN INJURY AND/OR PROPERTY DAMAGE.**







Before you begin, please read Page 2 of "Assembly and Care Advice".

And remember, do not tighten until each step is completed or instructed.

### Parts List

-  #1 x 1pc  
Headboard
-  #2 x 1pc  
Footboard
-  #3 x 2pcs  
Rail
-  #4 x 4pcs  
Slat
-  #5 x 8pcs  
Support Leg

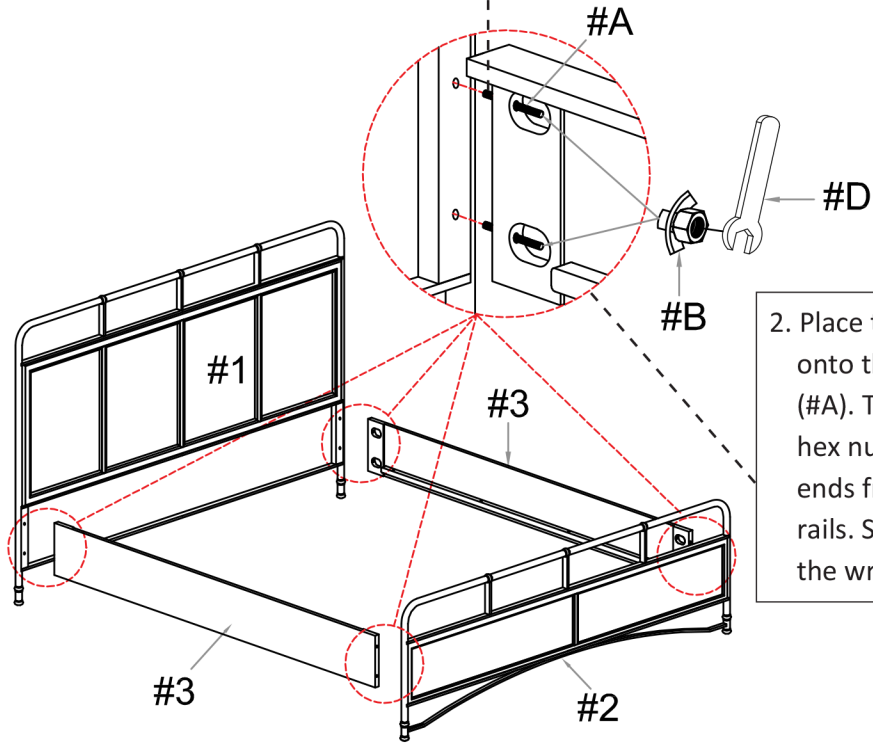
### Hardware List

-  #A x 8pcs  
Hanger Bolt Ø5/16"x 3-1/4"
-  #B x 8pcs  
Hex Nut Ø 5/16"
-  #C x 8pcs  
Wood screws #5-16"x1-3/16"
-  #D x 1pc  
Wrench



#A x 8 pcs  
#B x 8 pcs

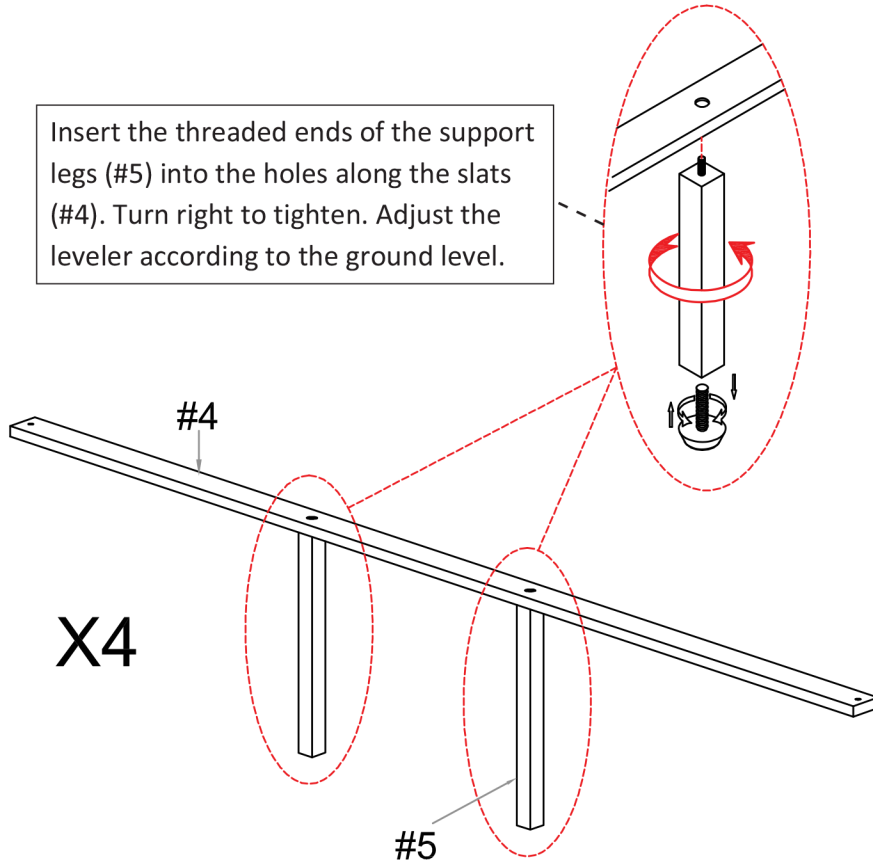
1. Insert 2 hanger bolts (#A) into the holes along each side of the headboard (#1) and footboard (#2). Turn right to tighten.



2. Place the rails (#3) onto the hanger bolts (#A). Then apply a hex nut (#B) onto the ends from within the rails. Secure using the wrench (#D).



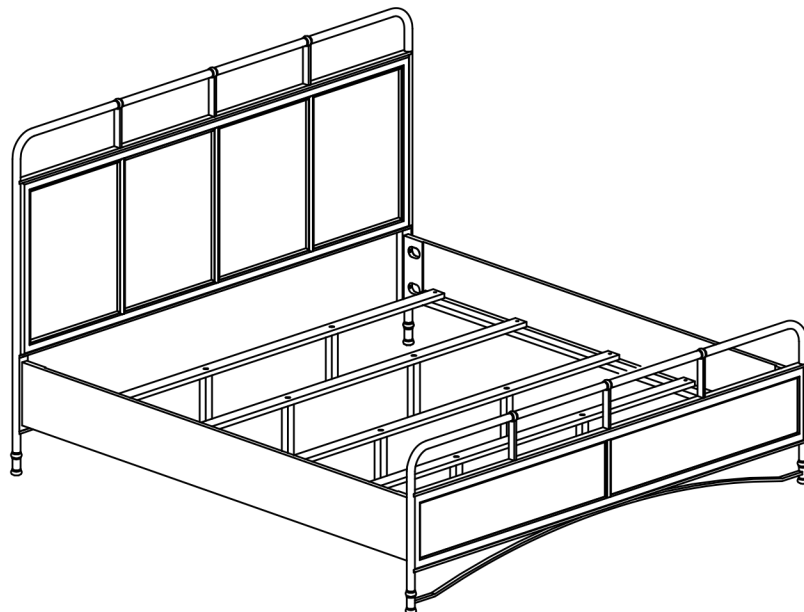
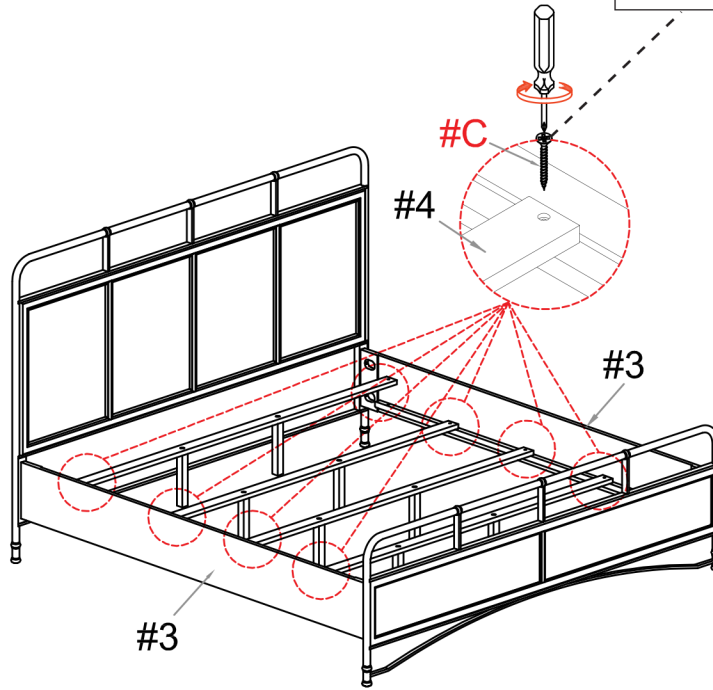
Insert the threaded ends of the support legs (#5) into the holes along the slats (#4). Turn right to tighten. Adjust the leveler according to the ground level.





#C x 8 pcs

Place the slats (#4) onto the rails (#3), then insert a wood screw (#C) into each end and secure using a Phillips screwdriver.



ASSEMBLY IS COMPLETED