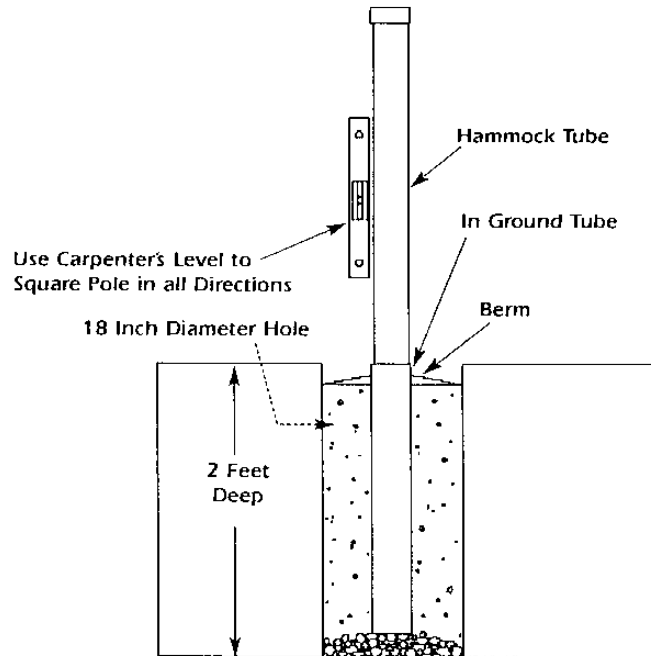


INSTALLATION INSTRUCTIONS

Parts List:

- 1 Hammock Tube – smaller diameter
- 1 In-Ground Tube – larger diameter
- 1 2-way Cap/Plug
- 1 “SU” Hook
- 1 Chain with S-Hook
- 1 Instruction Sheet



1. Select a spot approximately 16' from a stationary point to suspend your hammock.
2. Dig a hole a minimum of 18" in diameter and 24" to 27" in depth.
3. Place a small mound of gravel in the center bottom of hole for drainage and to also allow for height adjustment at ground level.
4. Mix concrete (according to manufacturers specs) and fill into hole around the in-ground tube. A hole of this size will require approximately 3.5 cubic feet of concrete.
NOTE: You may want to apply a piece of tape over the paint hole in the in-ground portion to prevent concrete from getting into inner tube surface.
5. Fill hole within 2" of tube top and build a slight berm to prevent water corrosion.
6. Insert above ground pole and check it is level in all directions. Remove pole and allow concrete to set for 24-48 hours before use. Allow more time in cooler temperatures. Loose, sandy soil will require a larger diameter hole and more concrete.
7. The 2-way cap/plug can be used to cap hammock pole when in use and plug the in-ground tube when hammock pole is removed.