



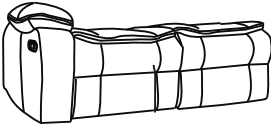

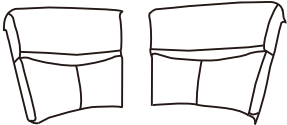

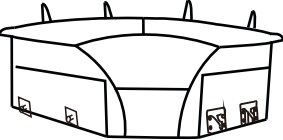
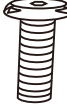


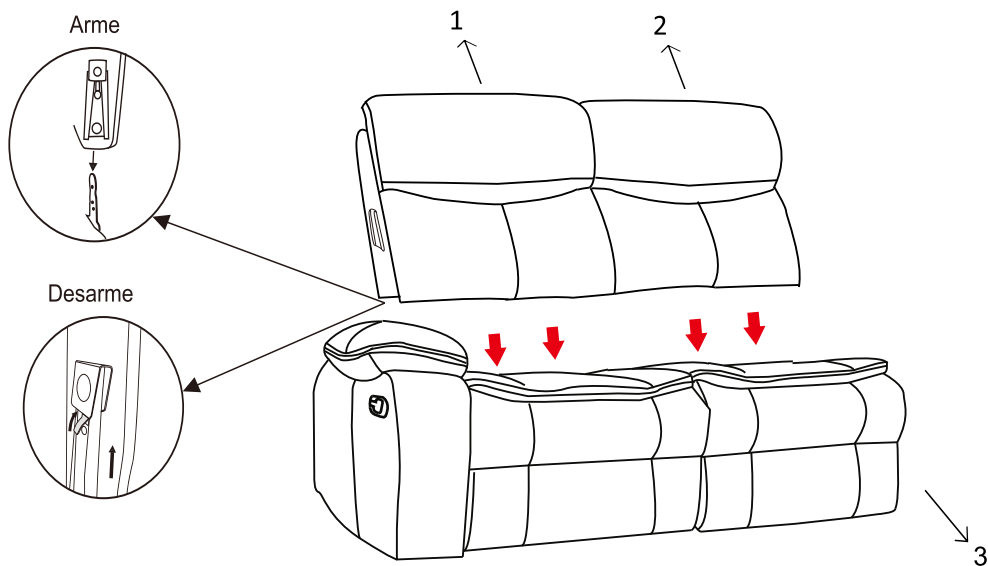


# Assembly Instruction

Thank you for purchasing this quality product! Make sure all components and small hardware parts are included in the package before you start to assemble the product.

Components List			Hardware List		
Serial No.	Description and Drawing	Quantity	Serial No.	Description and Drawing	Quantity
1		1	7		1
2		1	8		1
3		1	9		1
4		1	10/11		1
5		1	12	 6*4cm	2
6		1	13	 8mm	1

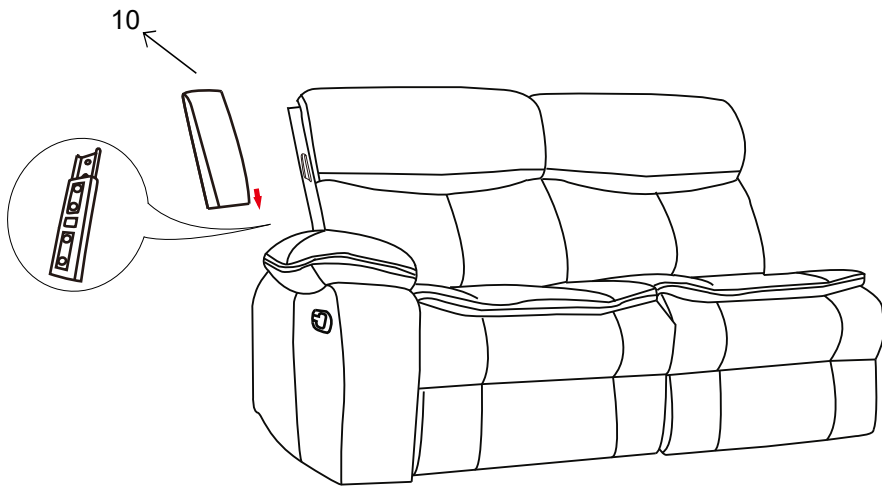
## Step 1



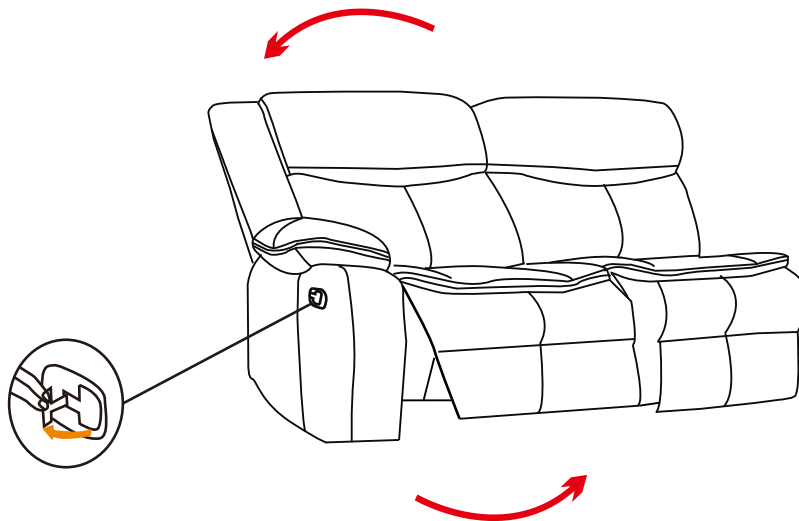
# Assembly Instruction

Thank you for purchasing this quality product! Make sure all components and small hardware parts are included in the package before you start to assemble the product.

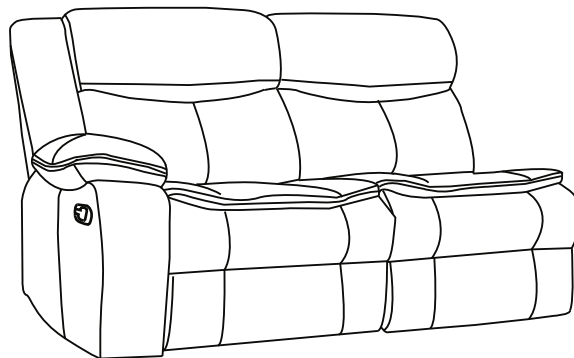
Step 2



Step 3



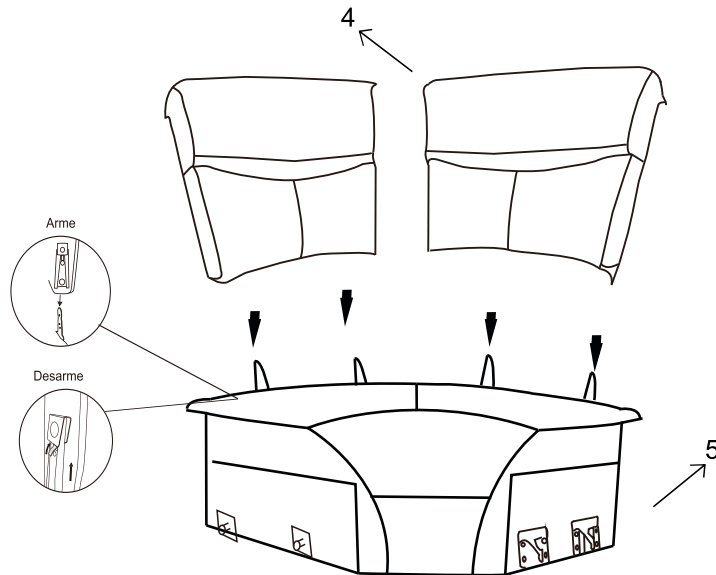
Step 4



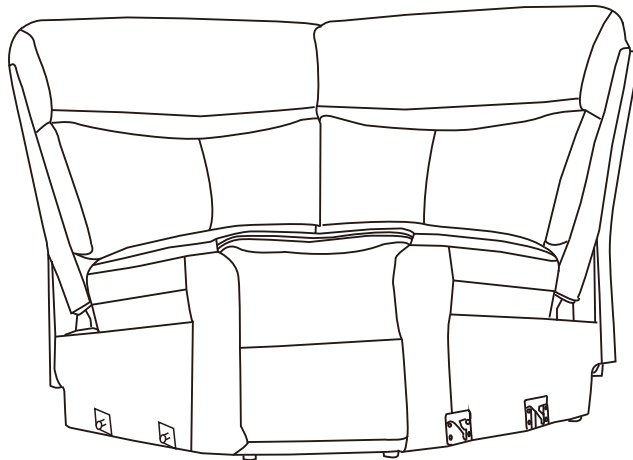
# Assembly Instruction

Thank you for purchasing this quality product! Make sure all components and small hardware parts are included in the package before you start to assemble the product.

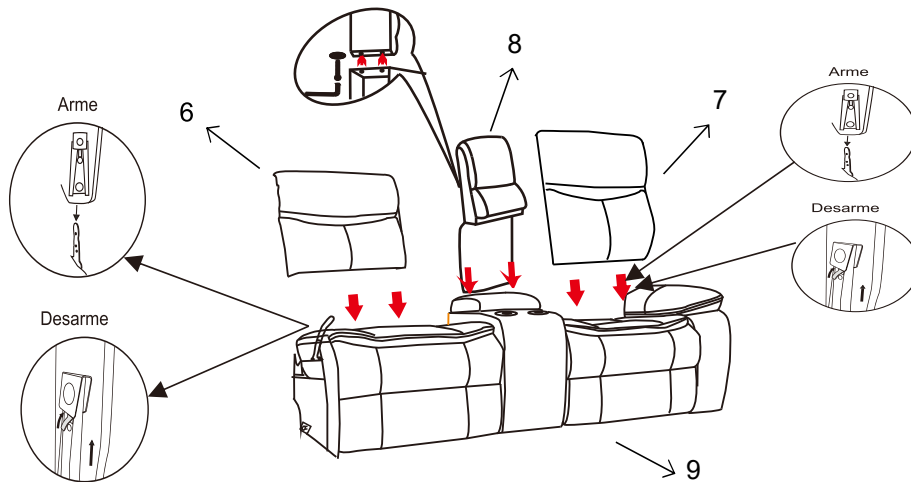
Step 5



Step 6



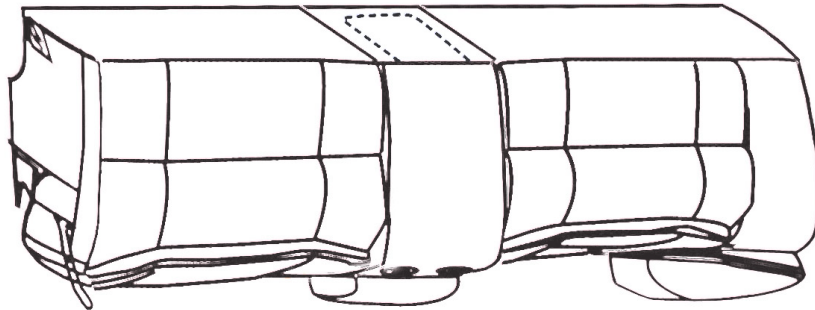
Step 7



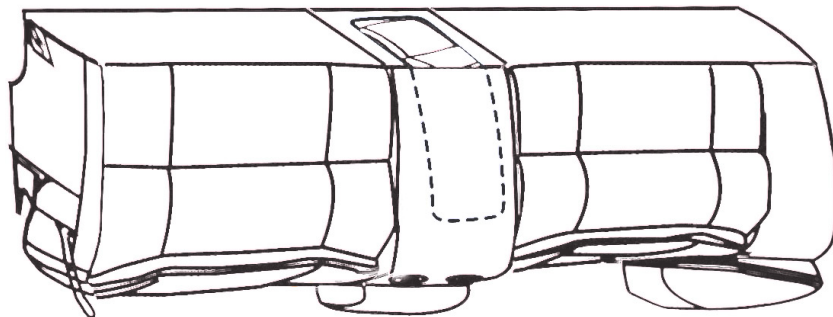
# Assembly Instruction

Thank you for purchasing this quality product! Make sure all components and small hardware parts are included in the package before you start to assemble the product.

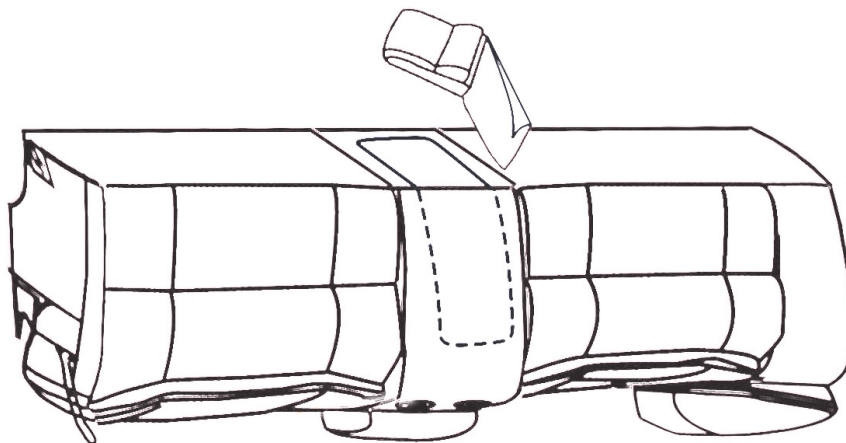
Step 8 PUT LOVESEAT UPSIDE DOWN



Step 9 UNZIP CONSOLE BASE STORAGE ZIPPER



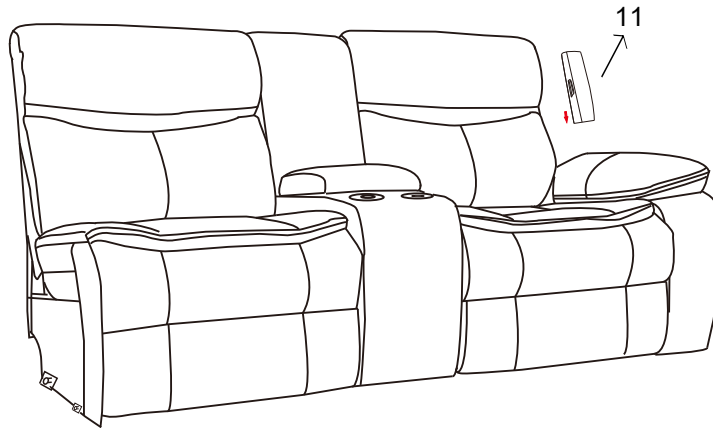
Step 10 TAKE OUT CONSOLE BACK FROM CONSOLE BASE STORAGE



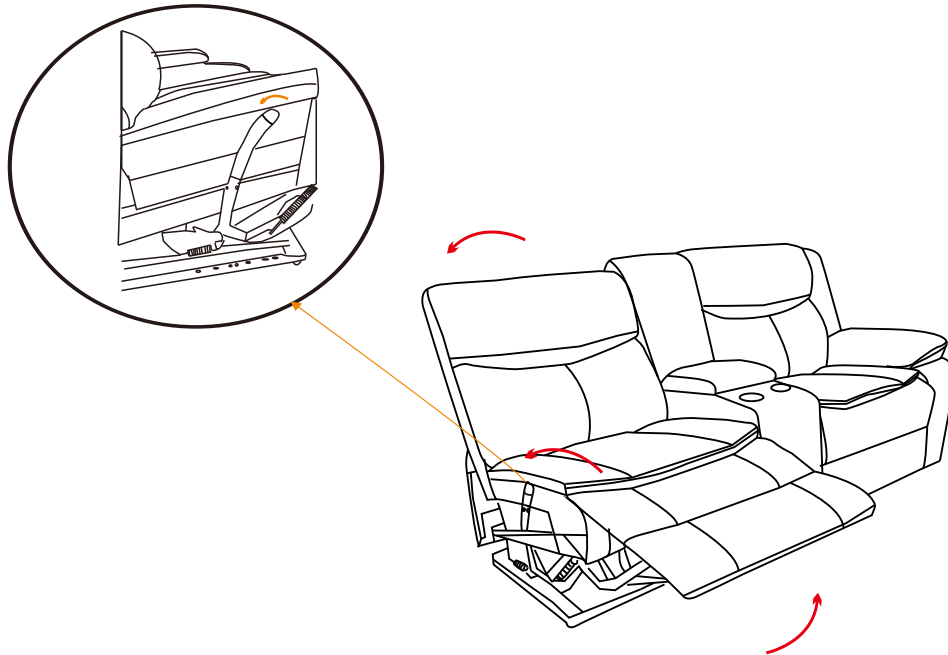
# Assembly Instruction

Thank you for purchasing this quality product! Make sure all components and small hardware parts are included in the package before you start to assemble the product.

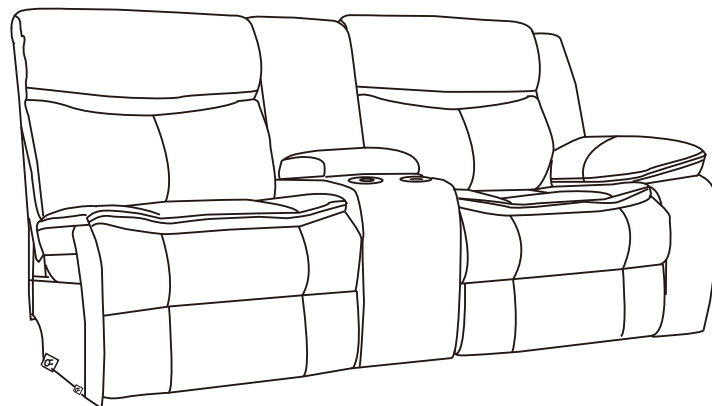
Step 11



Step 12



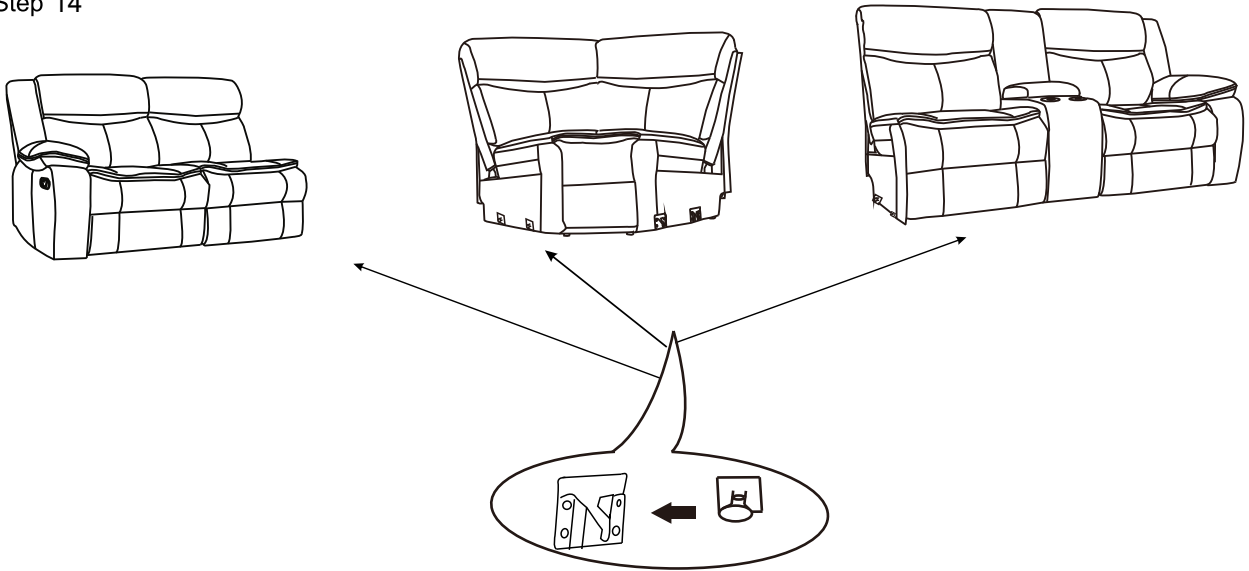
Step 13



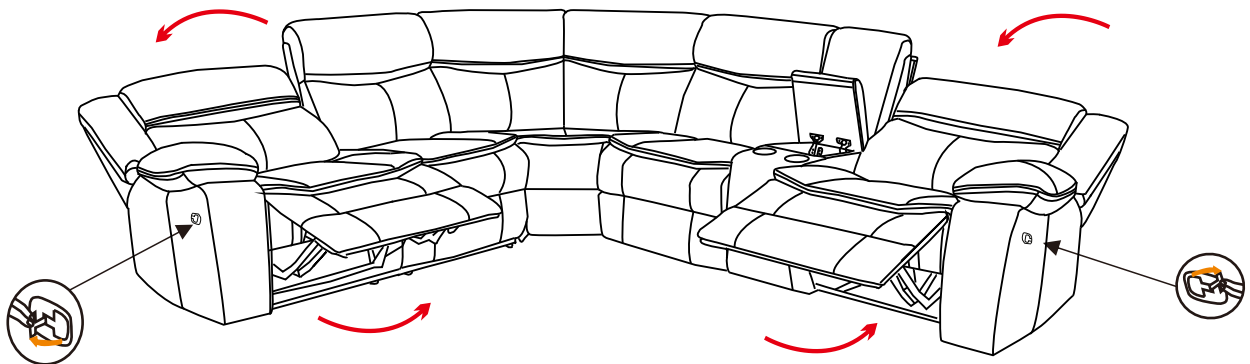
# Assembly Instruction

Thank you for purchasing this quality product! Make sure all components and small hardware parts are included in the package before you start to assemble the product.

## Step 14



## Step 15



## Step 16

