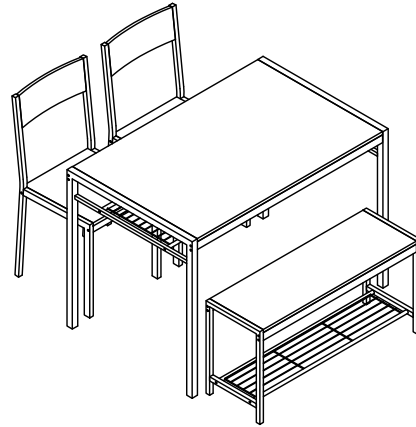


ATTENTION:

1. Please check the manual carefully and make sure you have received all the parts.
2. If there is any missing, please let us know the letter of the parts you need.
3. If there is any damage, please send clear photos to us, we will check and offer you best solution soon.



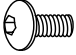
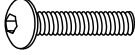
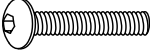
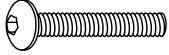
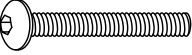
Parts List

<p>A</p>	<p>B</p>	<p>C</p>	<p>D</p>	<p>E</p>
1PC	2PCS	2PCS	1PC	1PC
<p>F</p>	<p>G</p>	<p>H</p>	<p>I</p>	<p>J</p>
2PCS	2PCS	1PC	2PCS	2PCS
<p>K</p>	<p>L</p>	<p>M</p>		
2PCS	2PCS	2PCS		

HARDWARE LIST

<p>#1</p> <p>M6*12mm</p>	<p>#2</p> <p>M6*25mm</p>	<p>#3</p> <p>M6*35mm</p>	<p>#4</p> <p>M6*40mm</p>	<p>#5</p> <p>M6*50mm</p>
16PCS	6PCS	8PCS	16PCS	8PCS
<p>#6</p> <p>4mm</p>				
1PC				

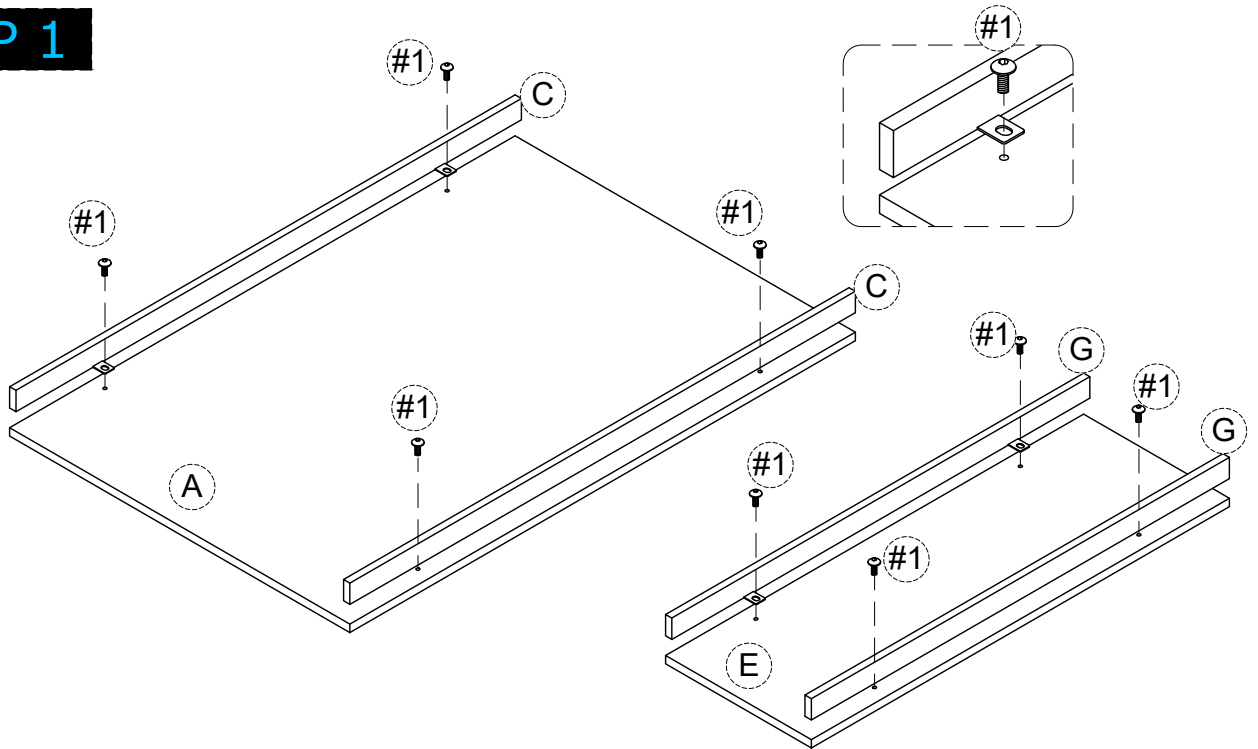
EXTRA HARDWARE LIST

#1	#2	#3	#4	#5
				
M6*12mm	M6*25mm	M6*35mm	M6*40mm	M6*50mm
2PCS	1PC	1PC	2PCS	1PC

Single Sofa Assembly

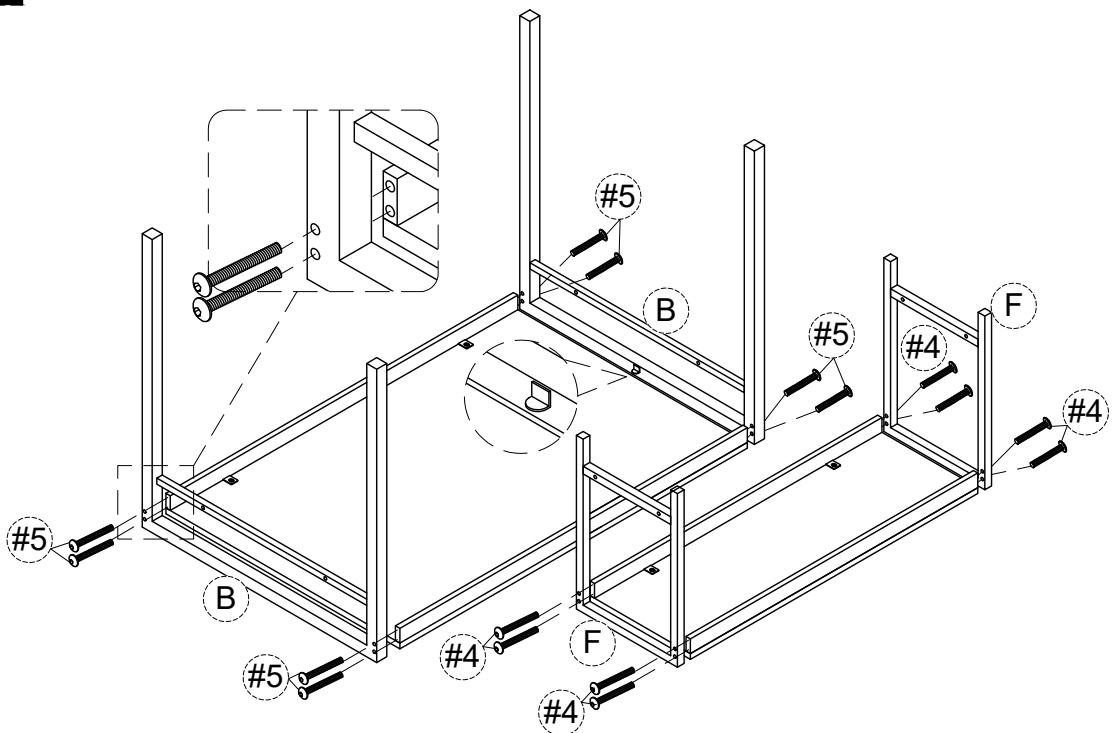
STEP 1

- A*1
- C*2
- E*1
- G*2
- #1*8



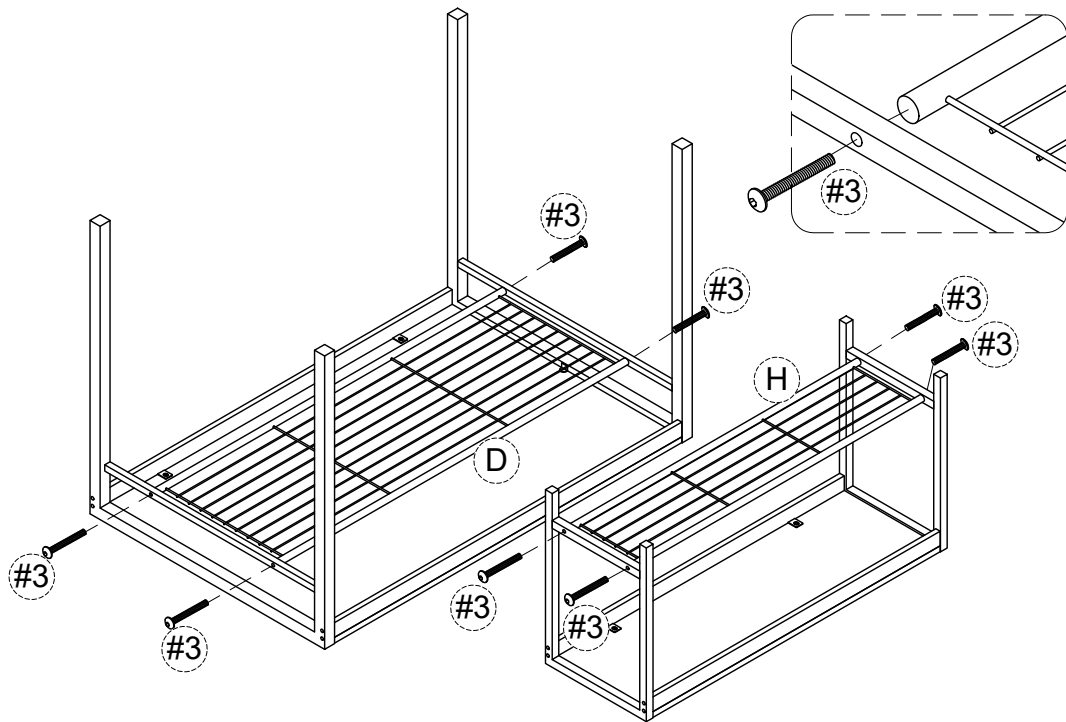
STEP 2

- B*2
- F*2
- #4*8
- #5*8



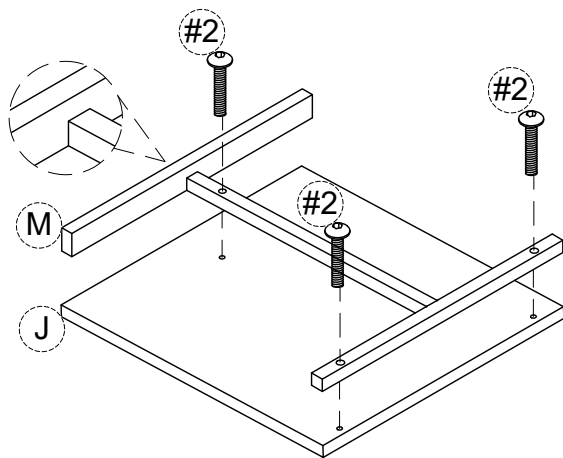
STEP 3

D*1
H*1
#3*8



STEP 4

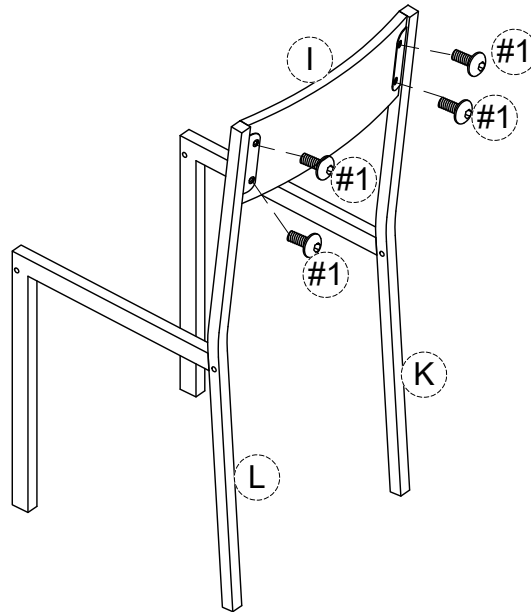
J*2
M*2
#2*6



x2

STEP 5

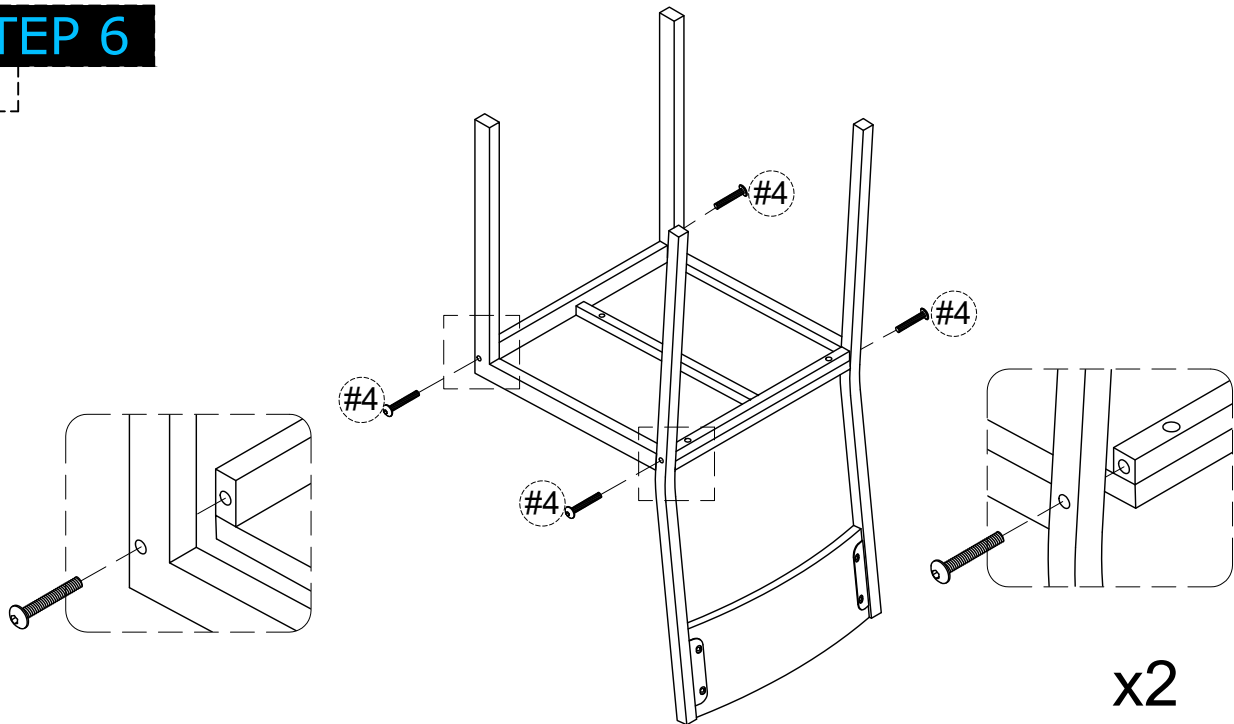
K*2
L*2
I*2
#1*8



x2

STEP 6

#4*8



x2

Attention

1. We care about every customer's using experience, please feel free to chat us if has anything missing or damage or any advice, efficient solution would be offered soon.
2. Recommend to use waterproof furniture cover for entire patio sofa set when out of use to keep them longer performance.
3. Sofa cushion cover can be removable and clean up by cleaner when have stains.
4. It's available to adjust foot height regarding ground condition to keep sofa in balance.