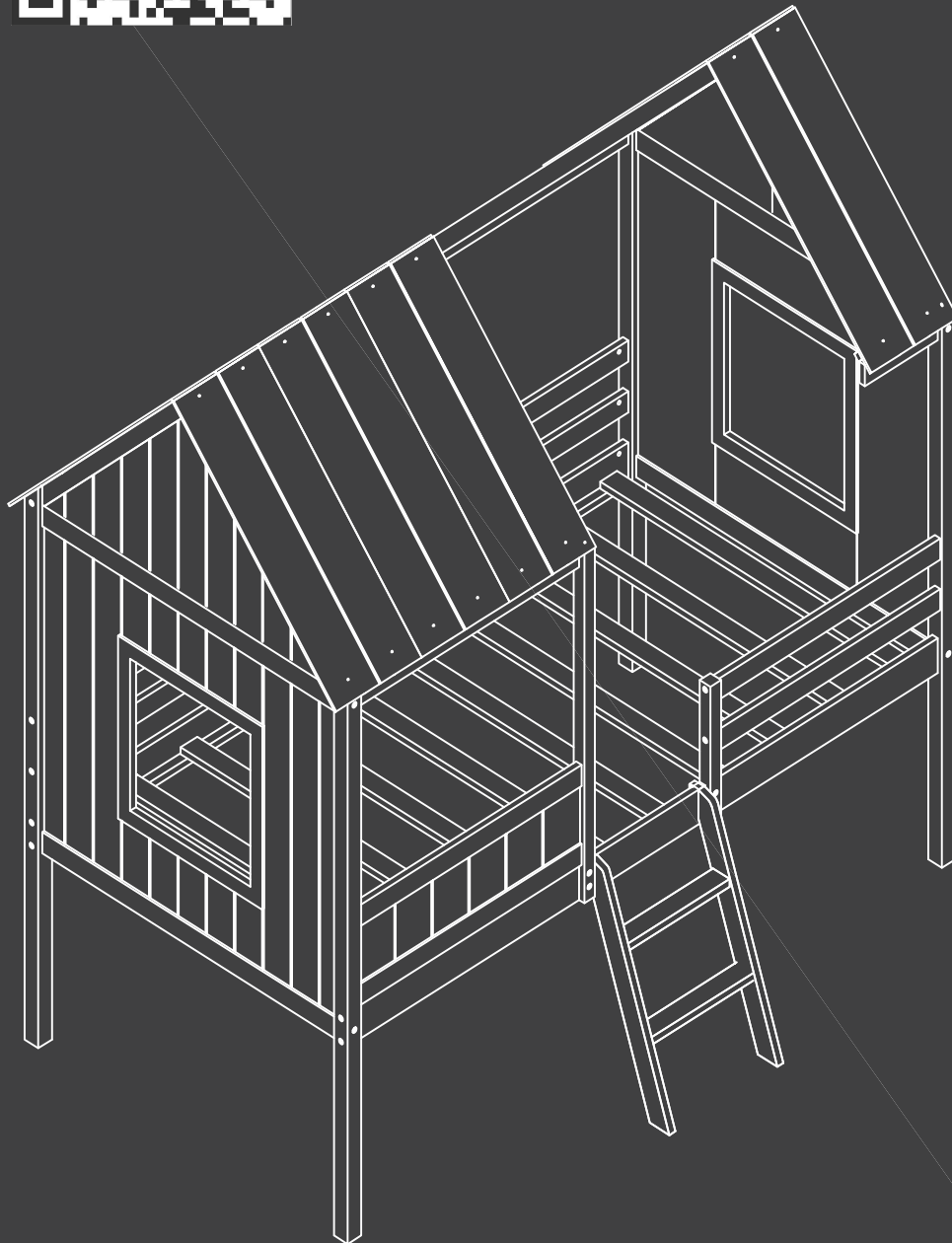


# Bed Frame

## Instruction Manual

MCJ-GJ01-T-WT-A,B

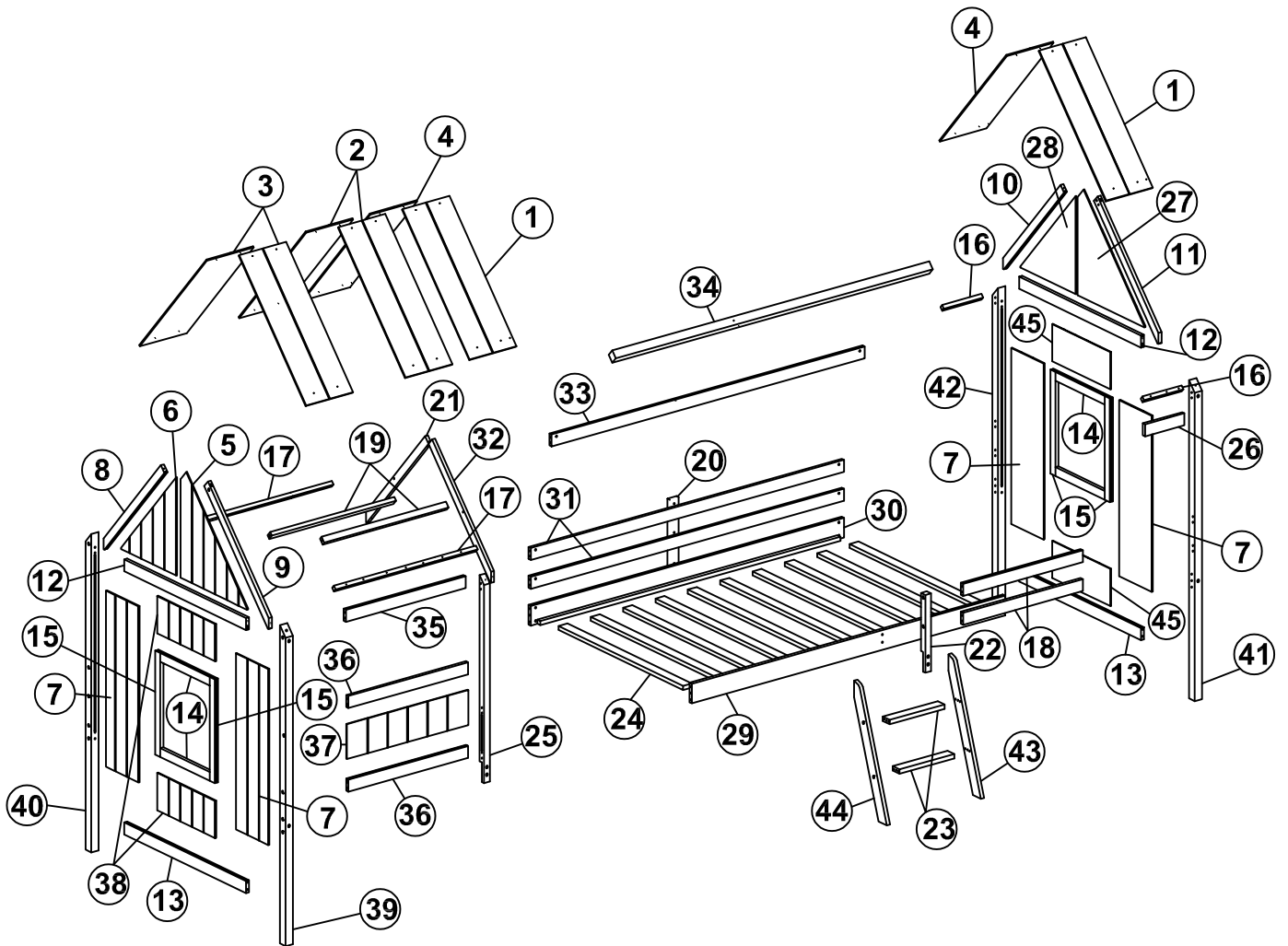


 EST 9:00AM--17:00PM

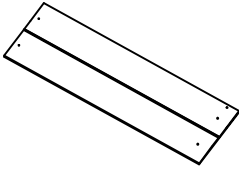
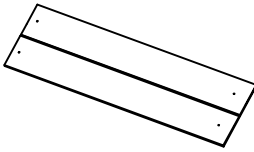
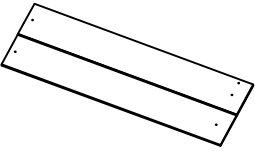
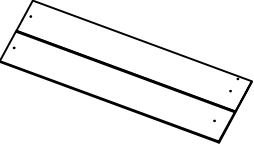
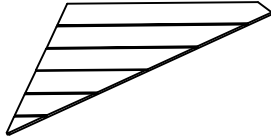
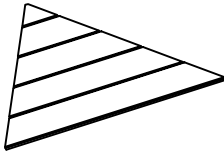




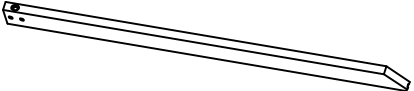
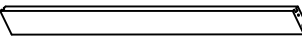


 [HJ-Customer-Service@outlook.com](mailto:HJ-Customer-Service@outlook.com)

 (909)637-7665 | (909)637-7593


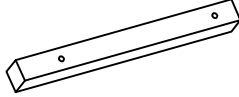
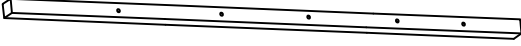
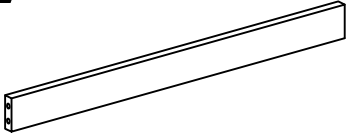
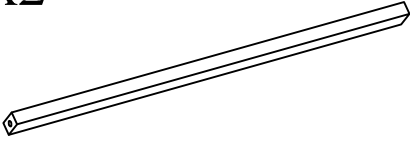
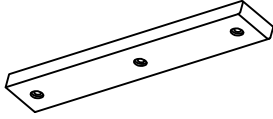
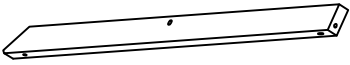
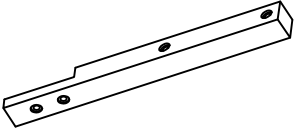
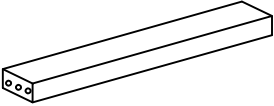

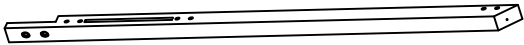
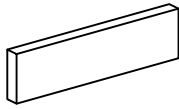
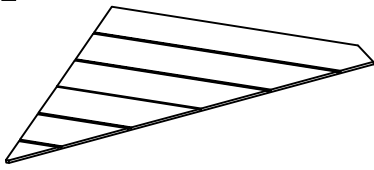
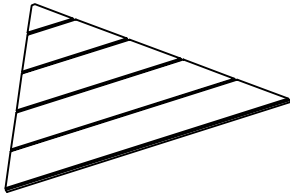
Detail:



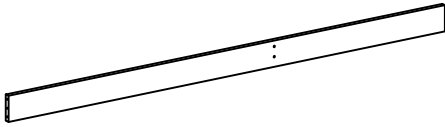



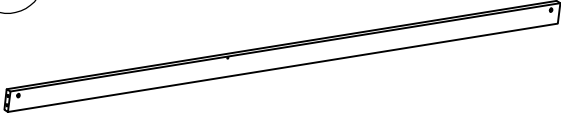

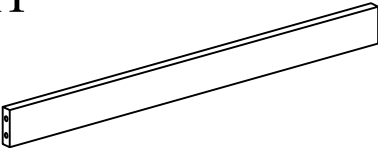
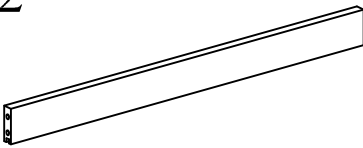
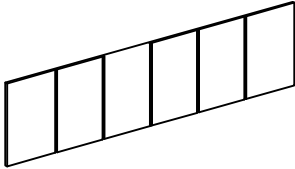
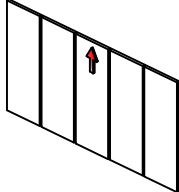
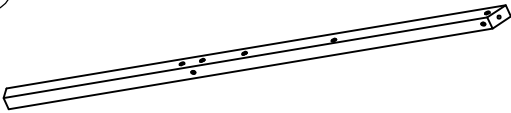
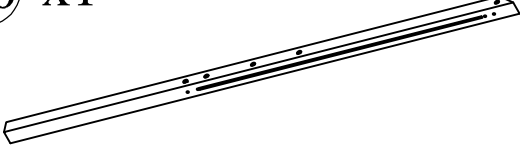
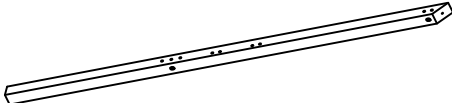
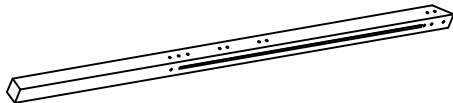
# Part List (BOX1)

① x2 	② x2 
③ x2 	④ x2 
⑤ x1 	⑥ x1 
⑦ x4 	⑧ x1 
⑨ x1 	⑩ x1 
⑪ x1 	⑫ x2 
⑬ x2 	⑭ x4 

# Part List (BOX1)

<p>①⑤ x4</p> 	<p>①⑥ x2</p> 
<p>①⑦ x2</p> 	<p>①⑧ x2</p> 
<p>①⑨ x2</p> 	<p>②⑩ x1</p> 
<p>②① x1</p> 	<p>②② x1</p> 
<p>②③ x2</p> 	<p>②④ x10</p> 
<p>②⑤ x1</p> 	<p>②⑥ x1</p> 
<p>②⑦ x1</p> 	<p>②⑧ x1</p> 

# Part List (BOX2)

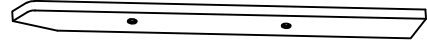
<p>②9 x1</p> 	<p>③0 x1</p> 
<p>③1 x2</p> 	<p>③2 x1</p> 
<p>③3 x1</p> 	<p>③4 x1</p> 
<p>③5 x1</p> 	<p>③6 x2</p> 
<p>③7 x1</p> 	<p>③8 x2</p> 
<p>③9 x1</p> 	<p>④0 x1</p> 
<p>④1 x1</p> 	<p>④2 x1</p> 

## Part List (BOX2)

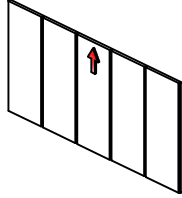
43 x1



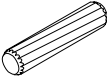

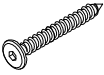
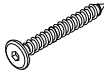
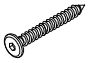




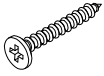
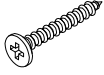
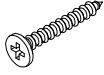


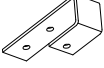
44 x1



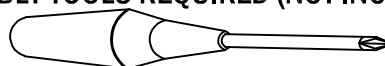
45 x2




## Hardware List (BOX 2)

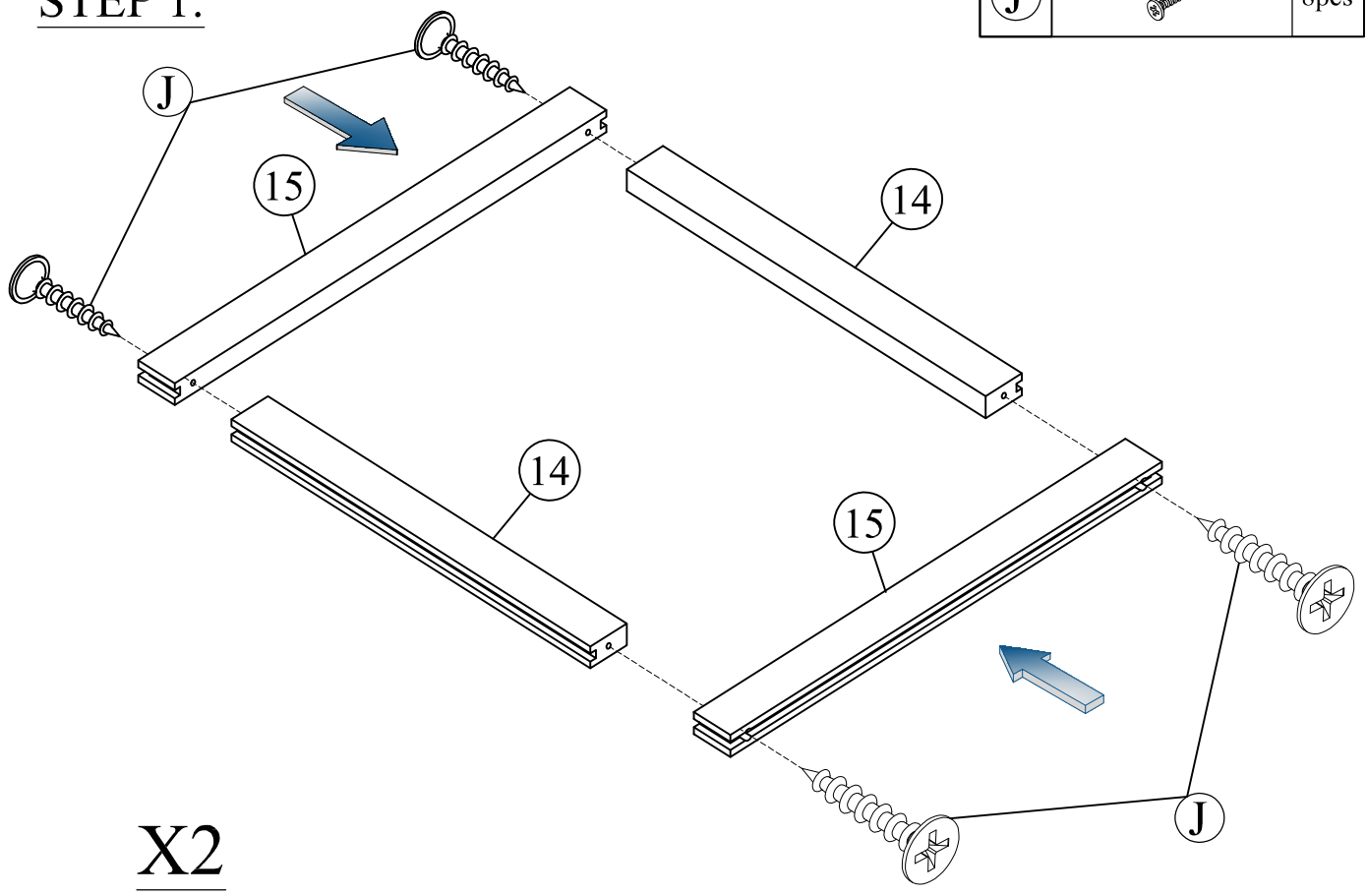
No.	OUTLOOK	DESC	QTY
(A)		Dowel Ø8*30mm	45pcs
(B)		Screws M6*70mm	8pcs
(C)		Screws M6*60mm	2pcs
(D)		Screws M6*50mm	4pcs
(E)		Screws M6*30mm	9pcs
(F)		Bolts M6*90mm	20pcs
(G)		Bolts M6*70mm	5pcs
(H)		Cross dowel M6*13mm	25pcs
(I)		Bolts M6*20mm	4pcs
(J)		Flat head screw #8*40mm	12pcs
(K)		Flat head screw #7*12mm	6pcs
(L)		Flat head screw #8*25mm	20pcs
(M)		Round head screw #8*20mm	36pcs
(N)		Allen key 60*22*4mm	1pc
(O)		Metal base	2pcs

ASSEMBLY TOOLS REQUIRED (NOT INCLUDED)

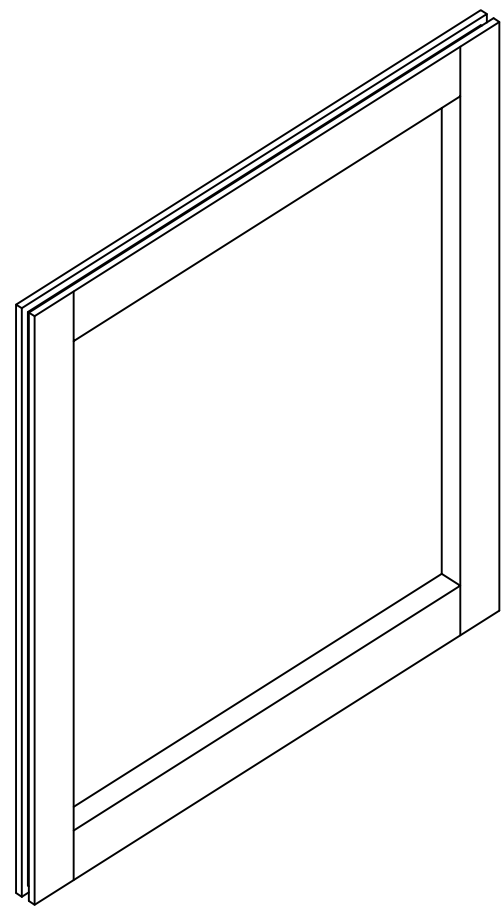


STEP 1:

J		8pcs
---	---	------


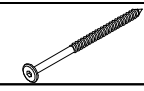
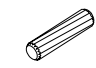


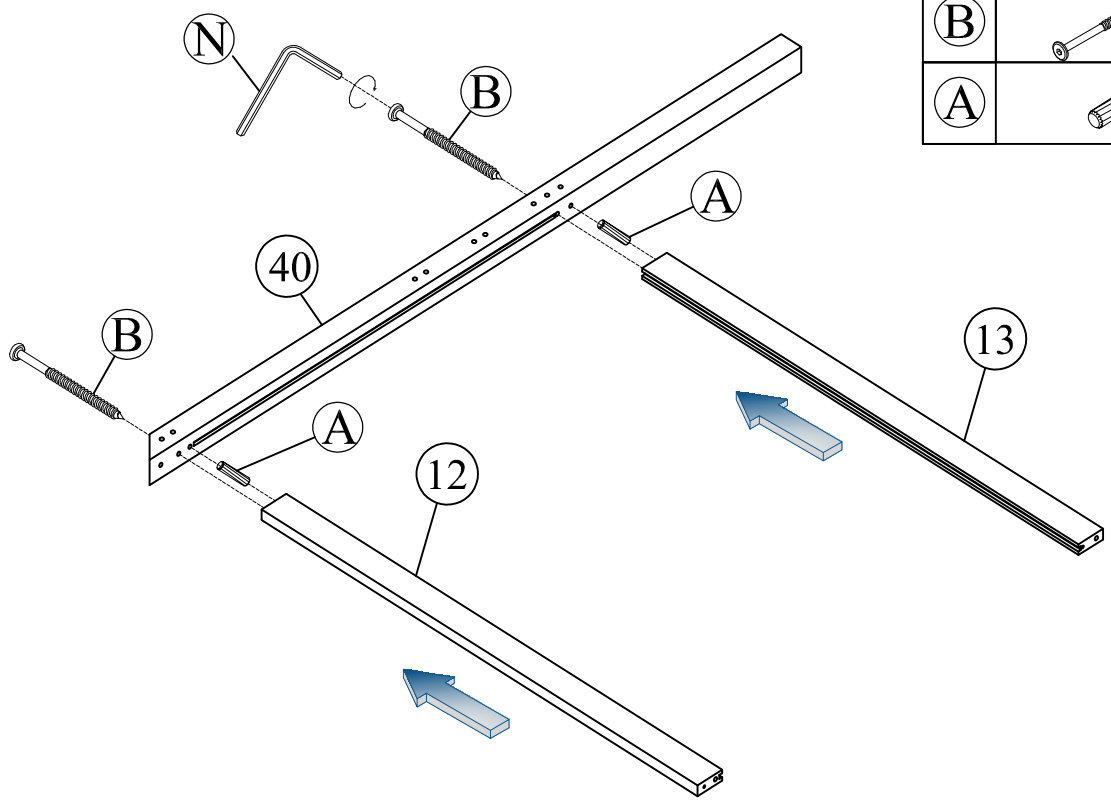
STEP 2:



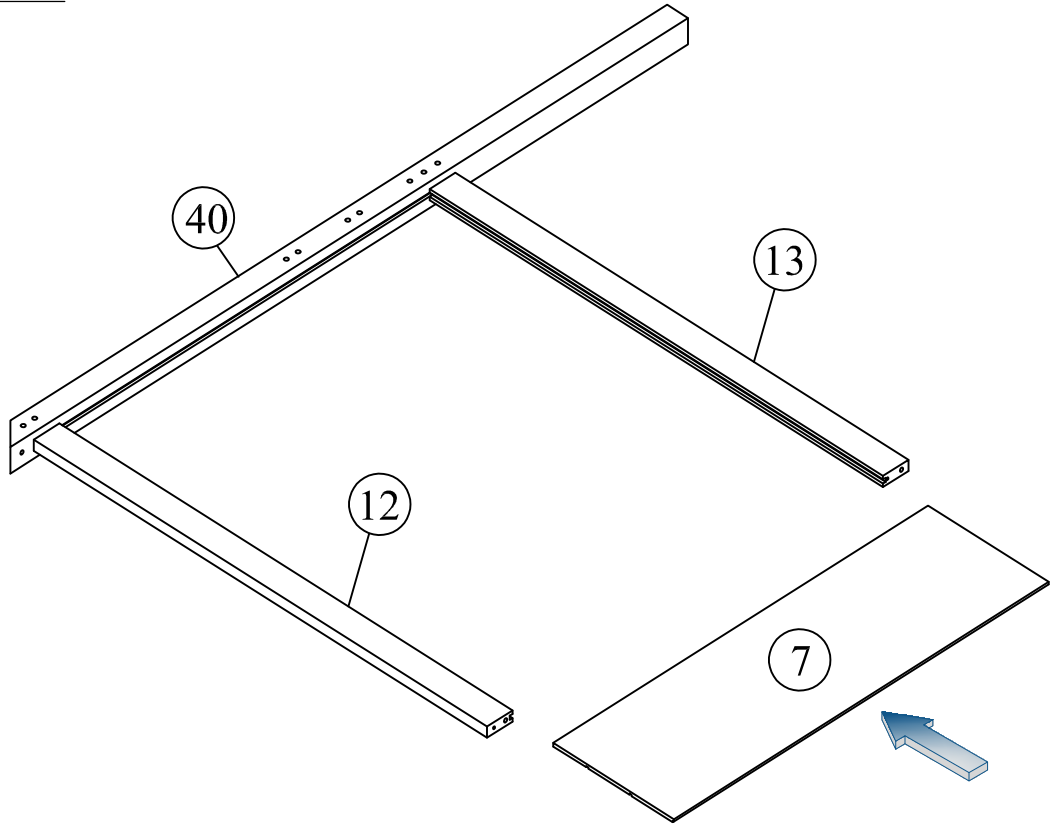
X2

**STEP 3:**

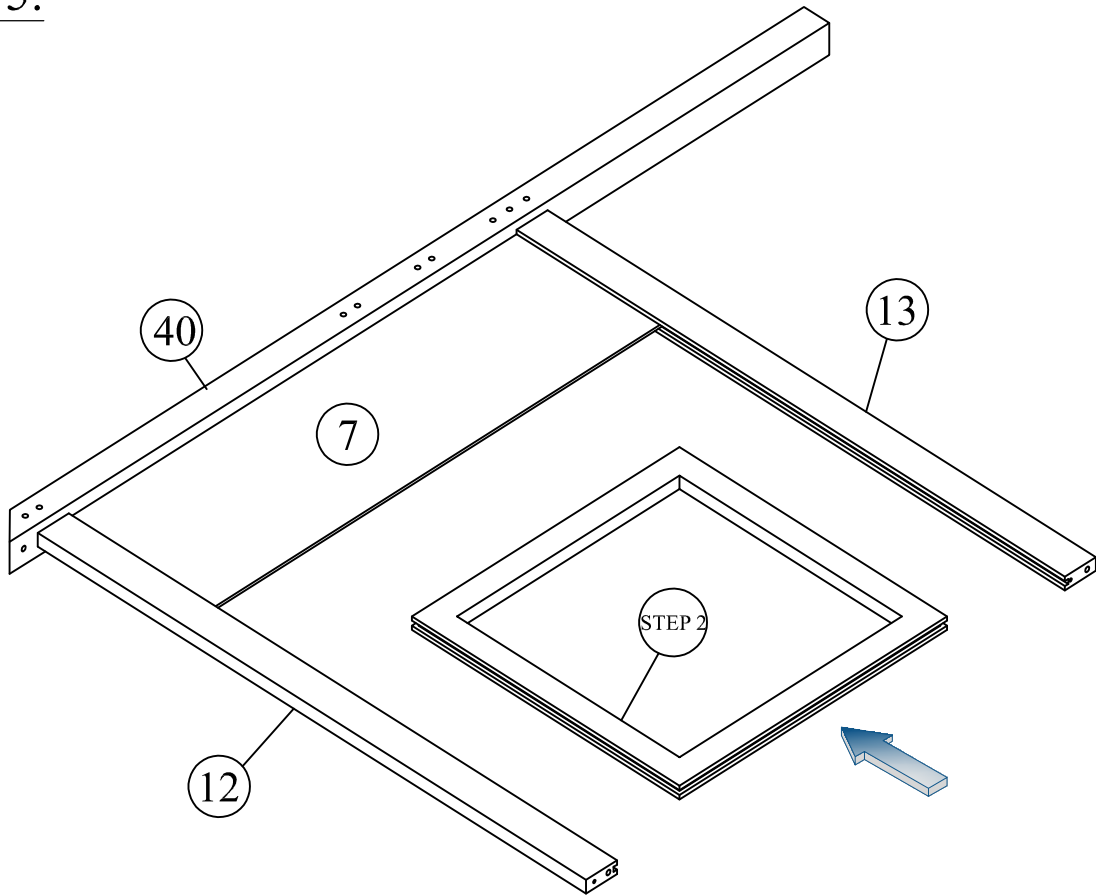
(N)		1pc
(B)		2pcs
(A)		2pcs



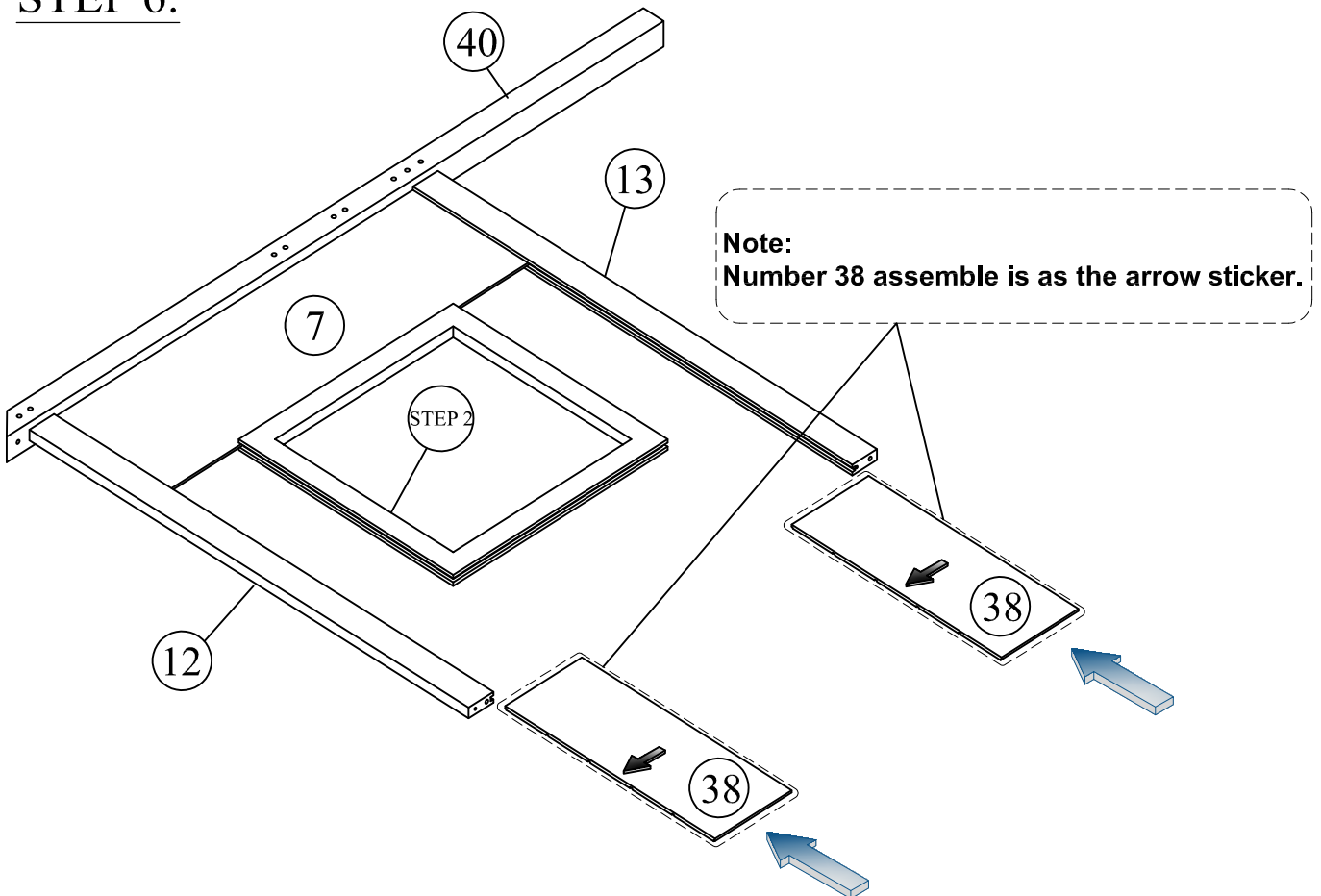
**STEP 4:**



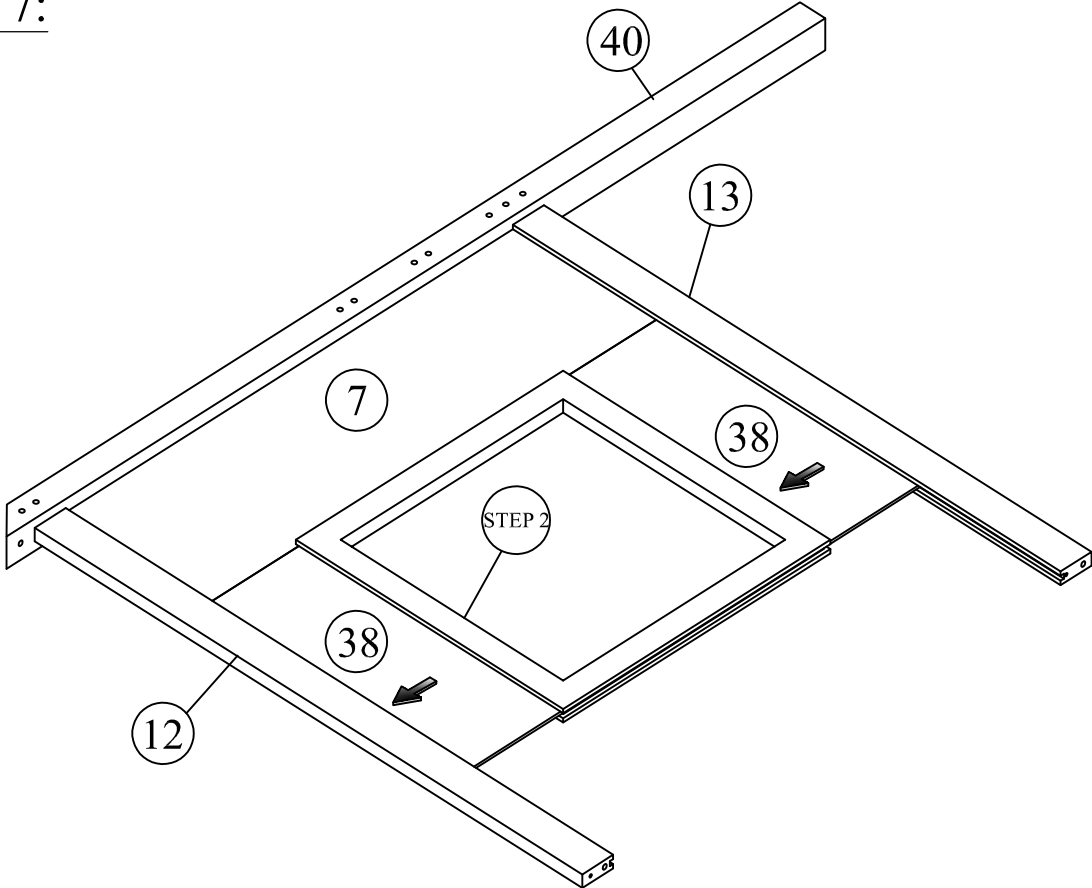
STEP 5:



STEP 6:

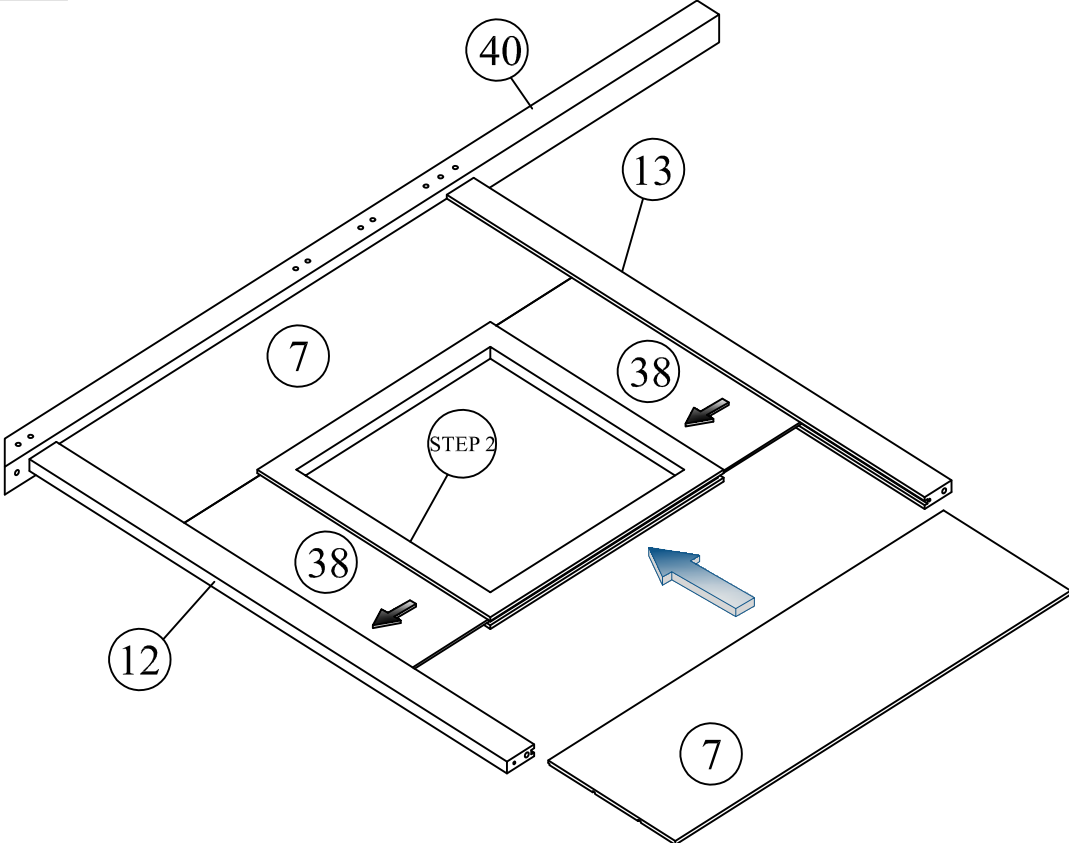


STEP 7:

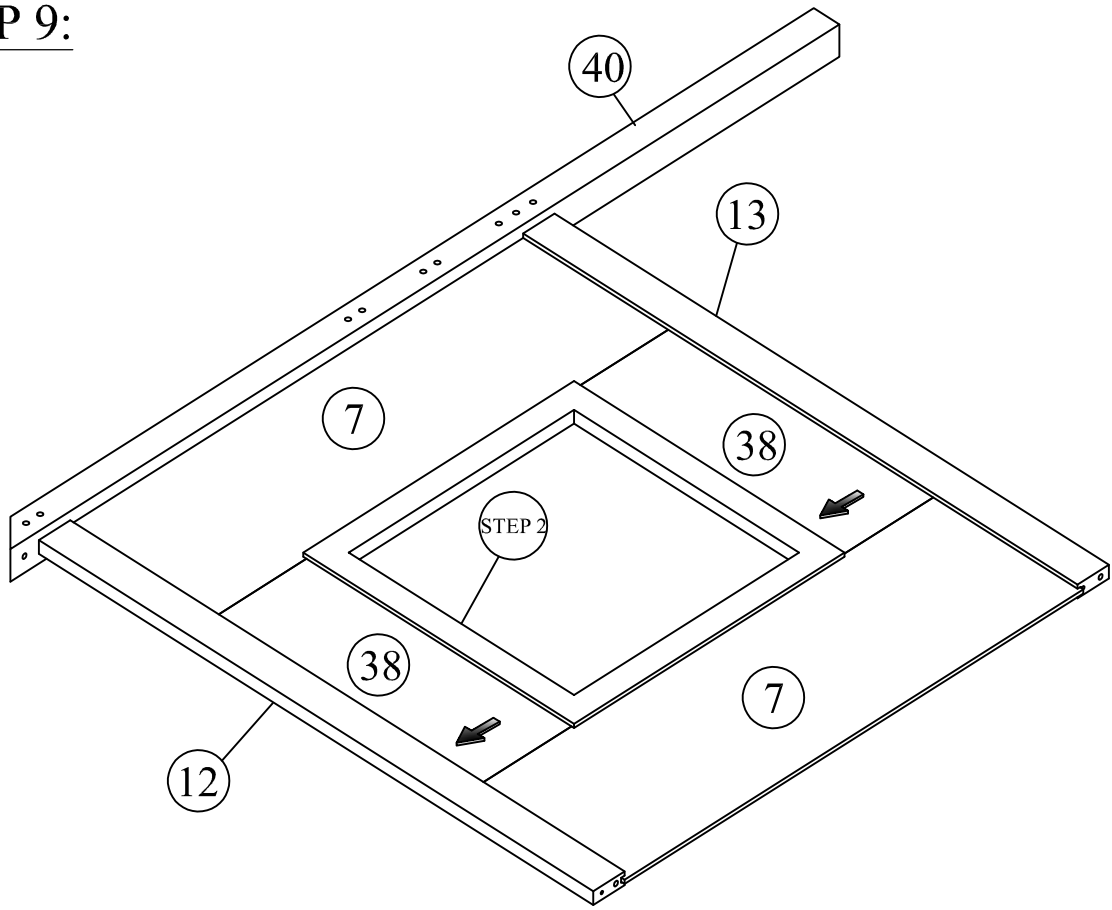


---

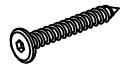

STEP 8:

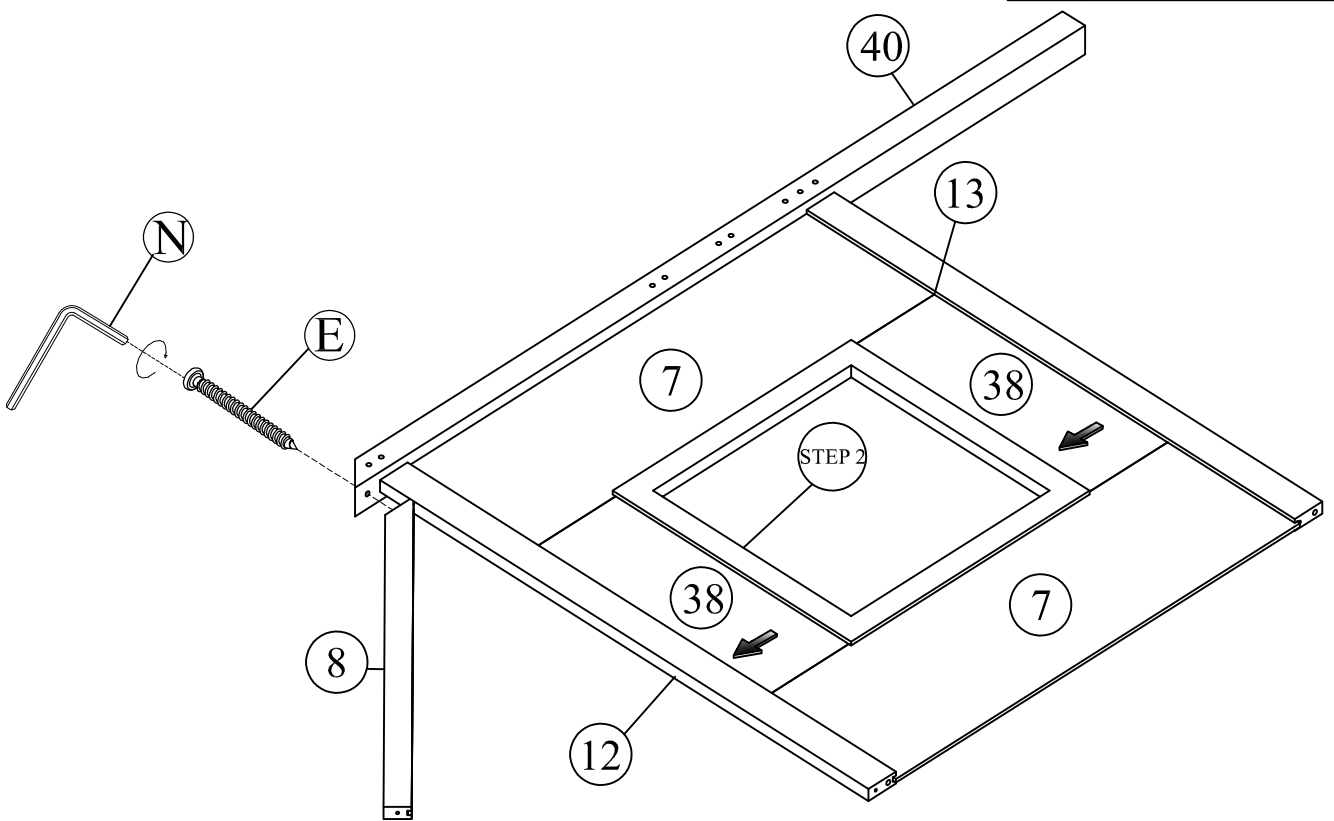


STEP 9:

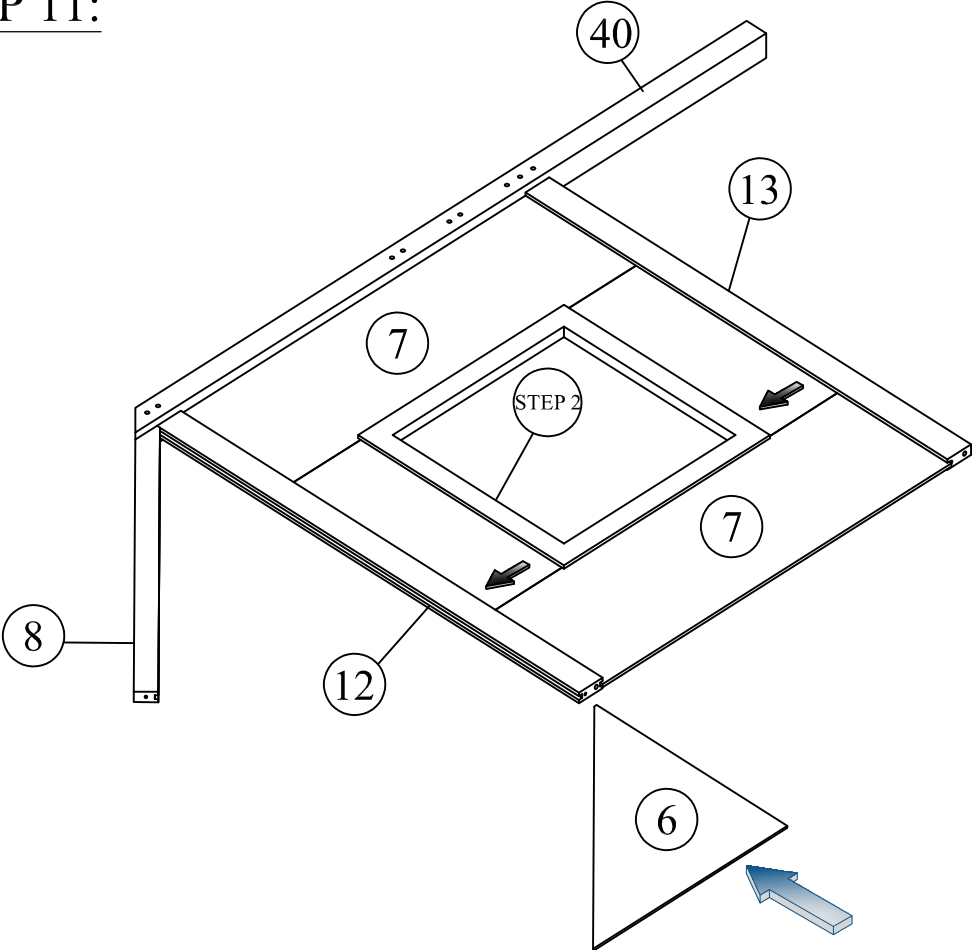


STEP 10:

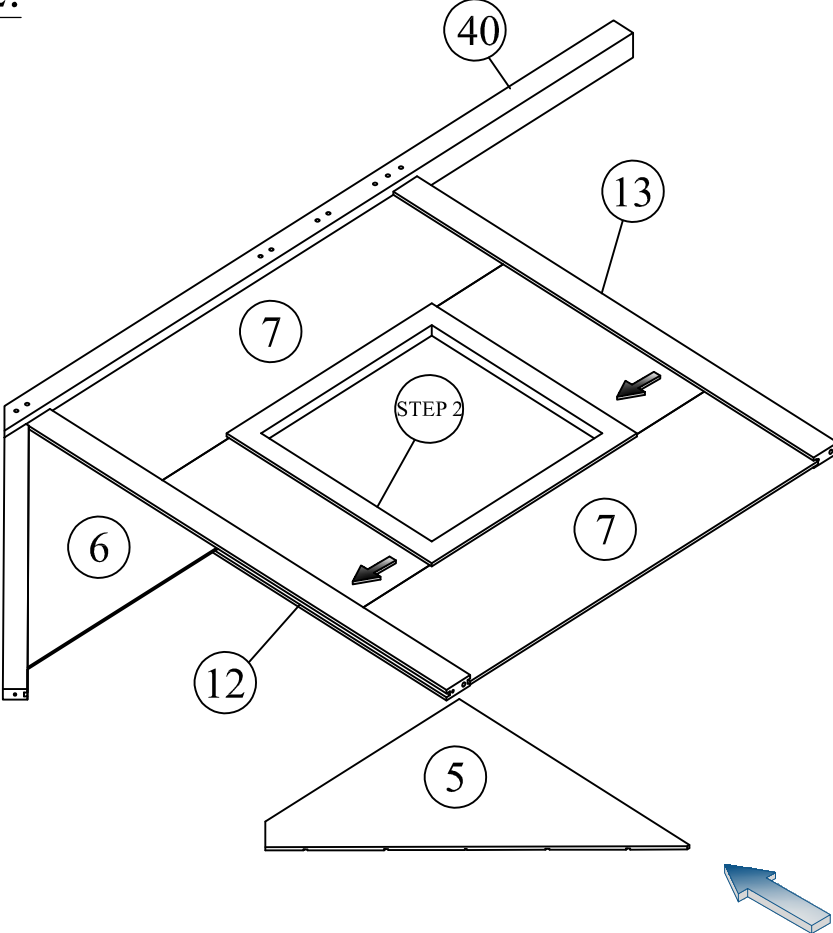
(E)		1pc
(N)		1pc



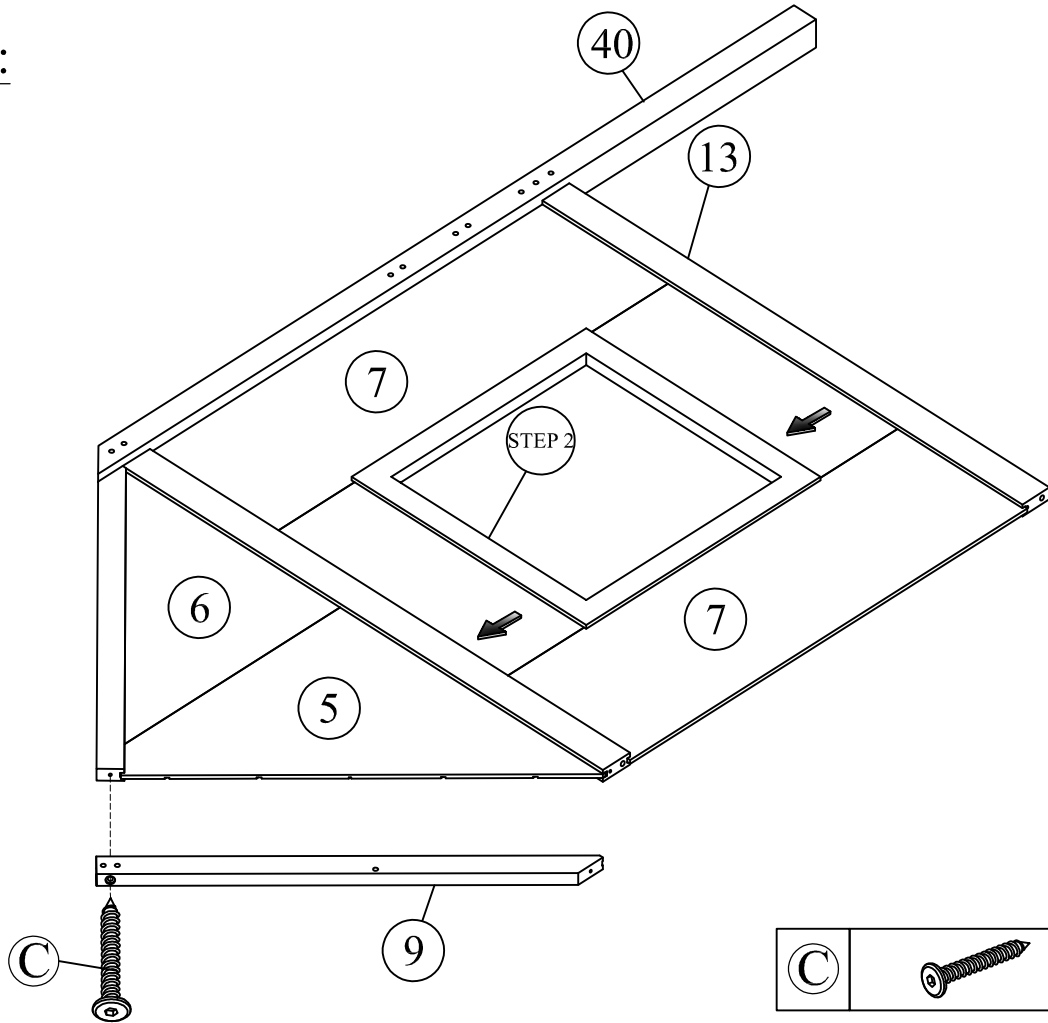
STEP 11:




STEP 12:

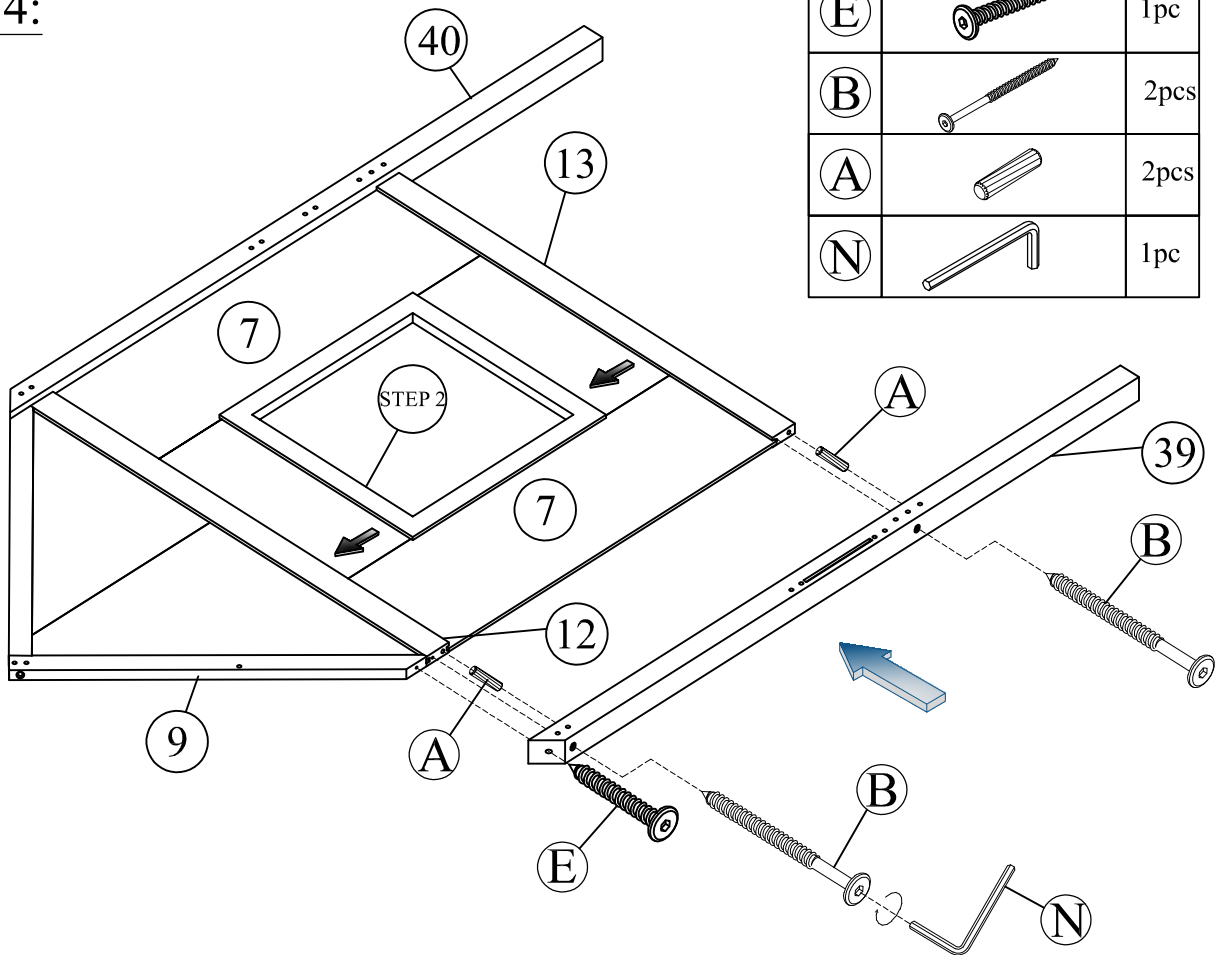




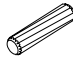

**STEP 13:**



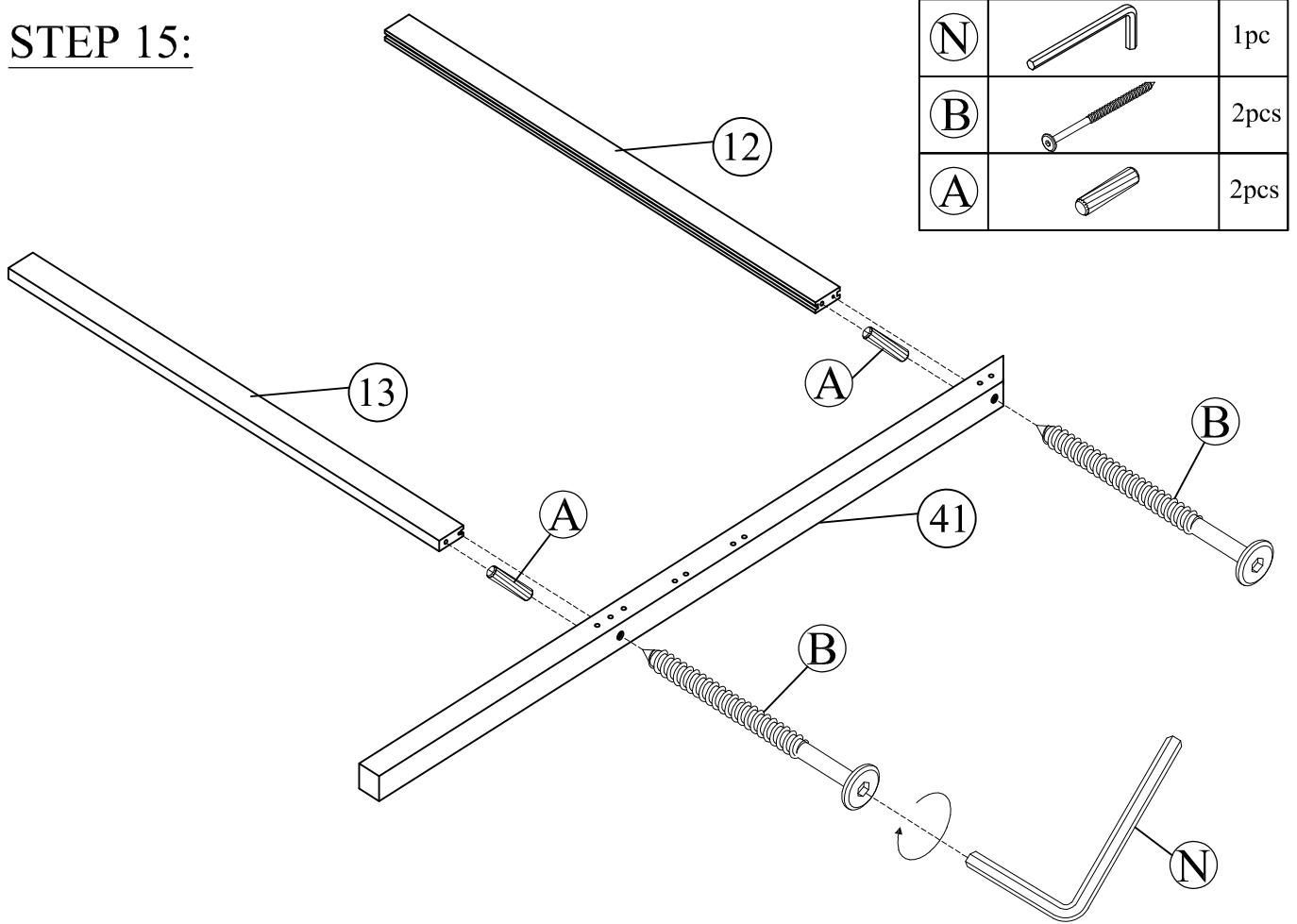
C		1pc
---	---	-----

**STEP 14:**

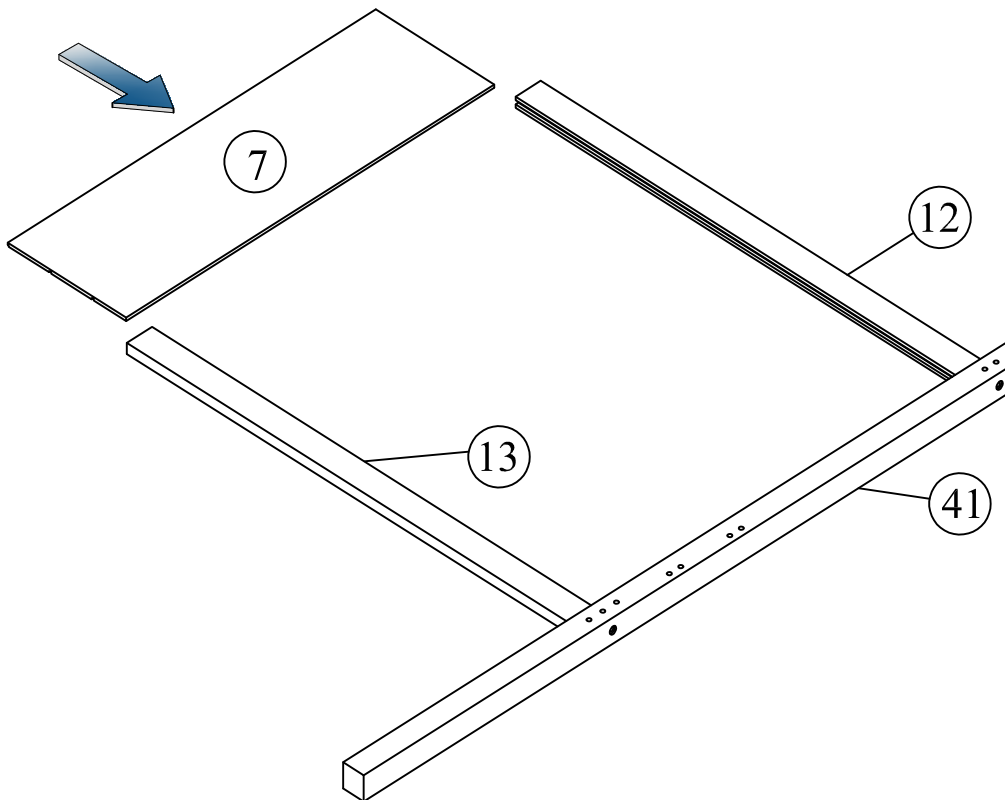


E		1pc
B		2pcs
A		2pcs
N		1pc

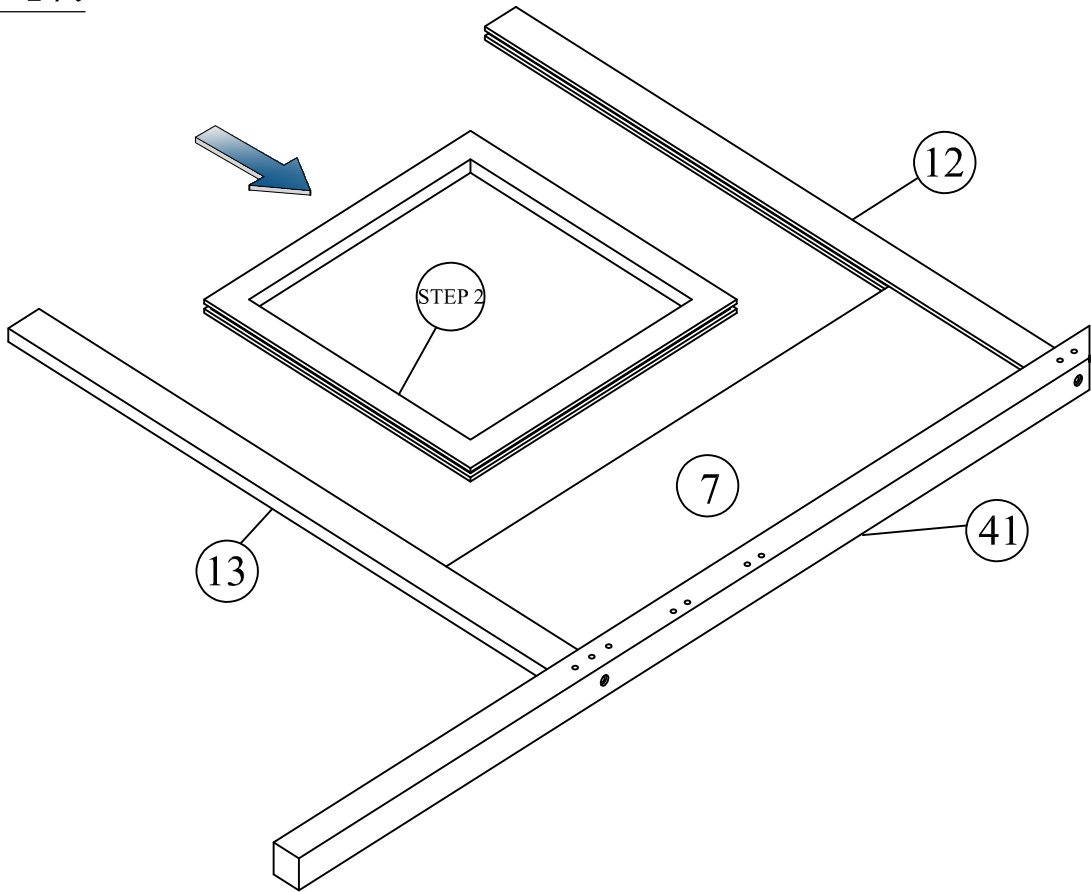
STEP 15:



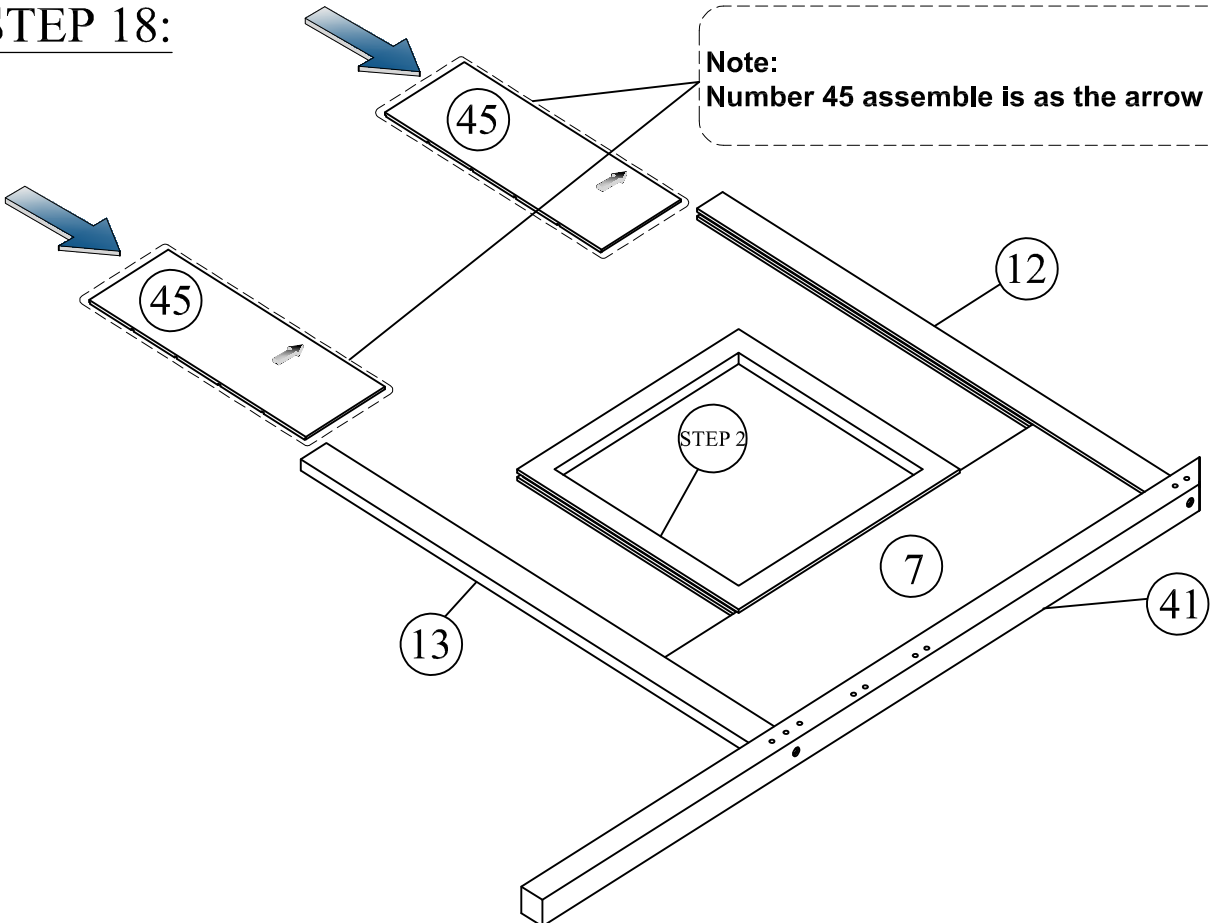
STEP 16:



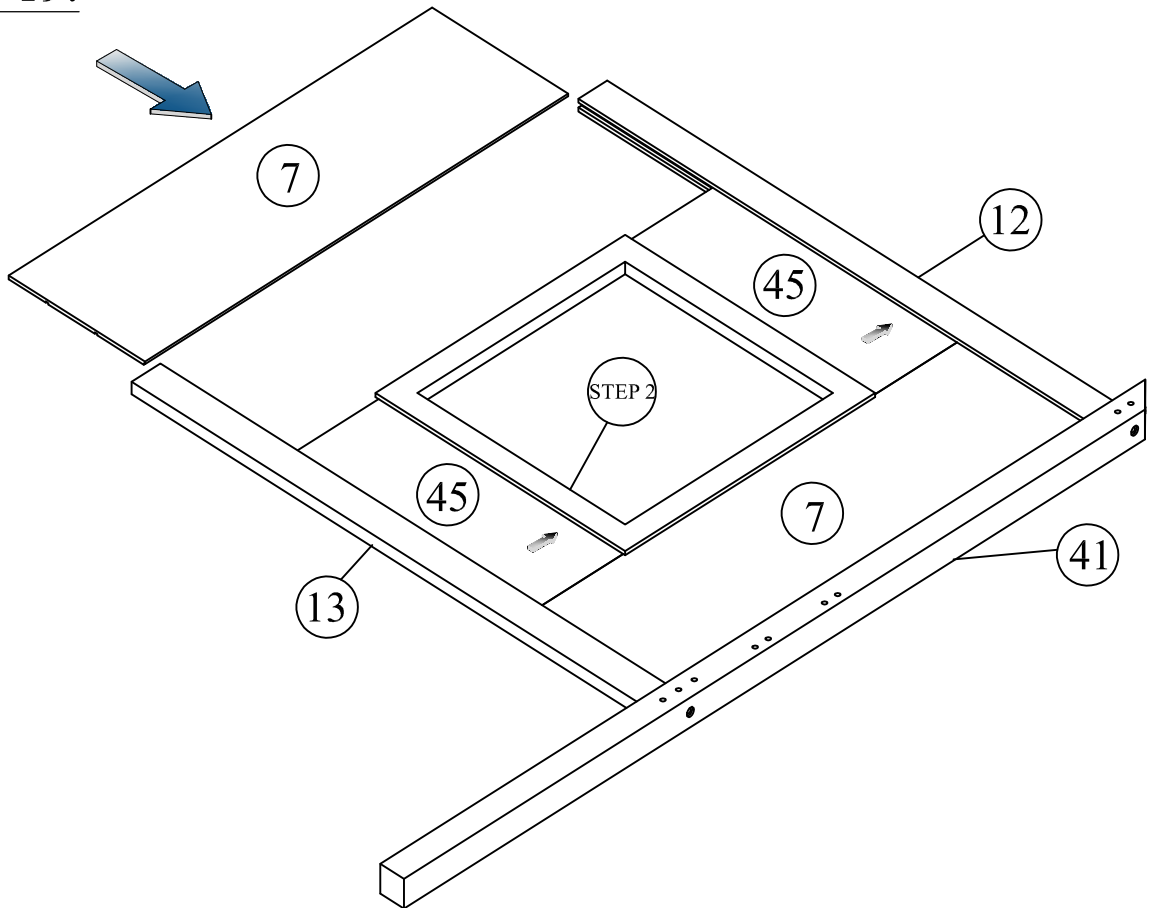
STEP 17:



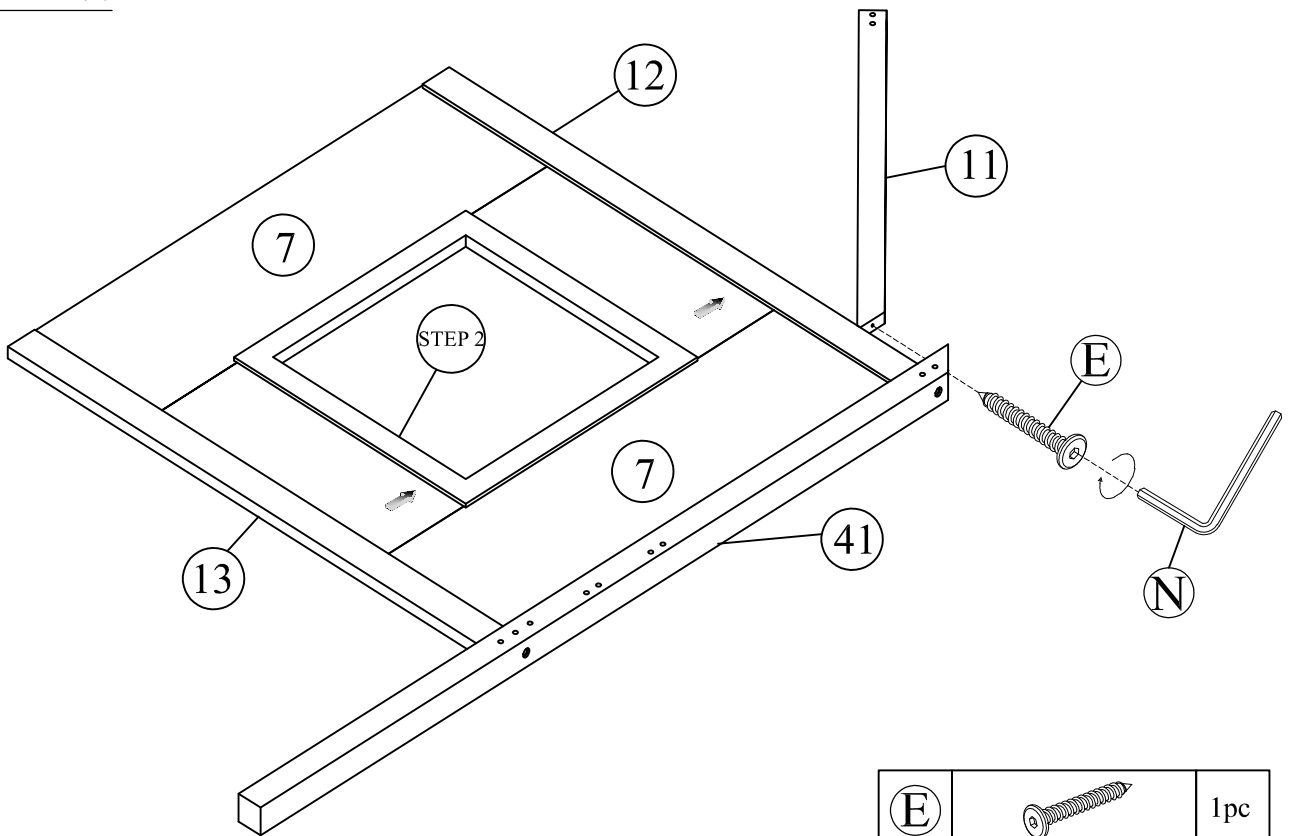
STEP 18:

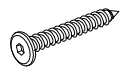



STEP 19:

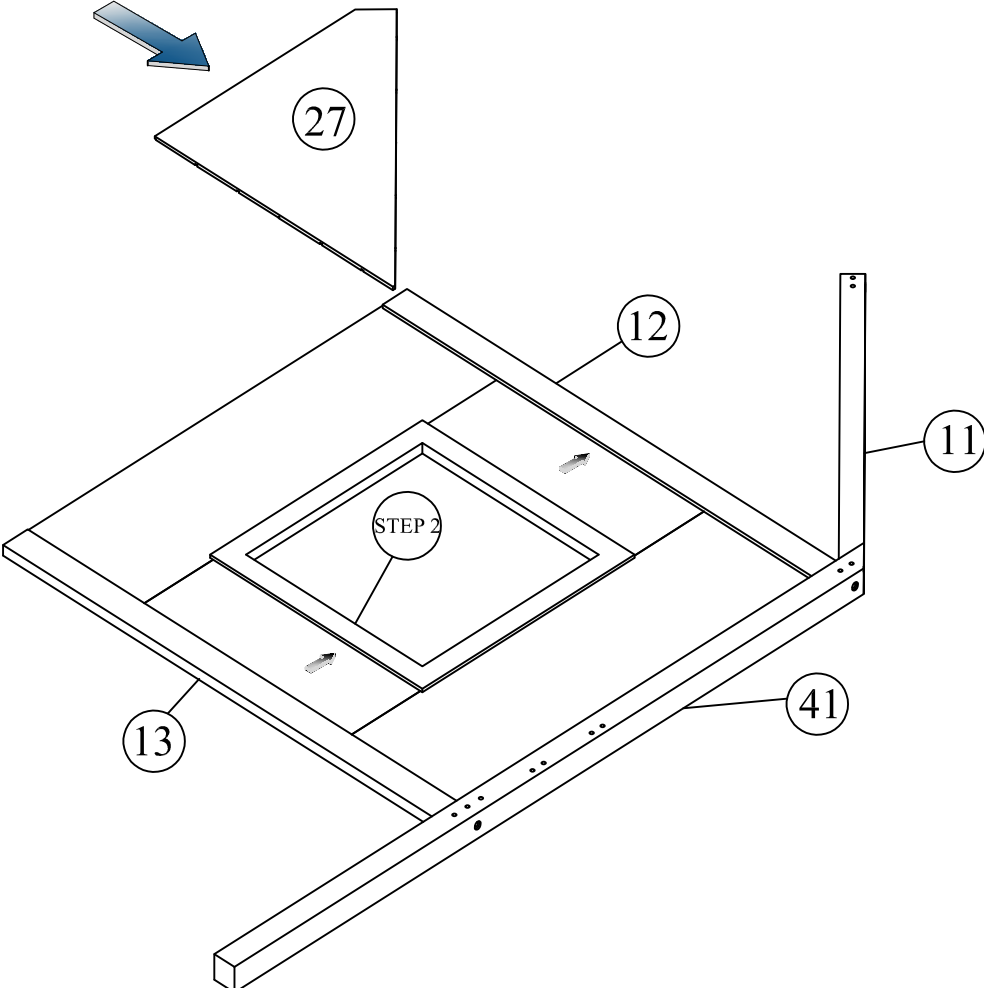


STEP 20:

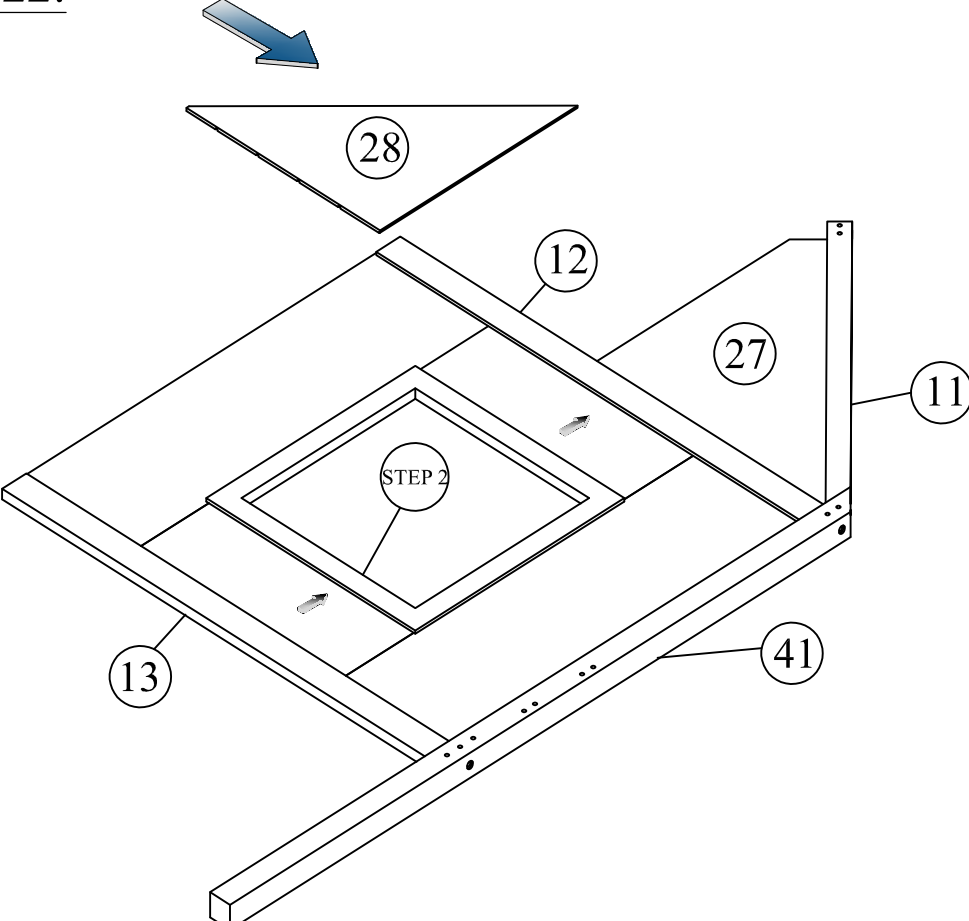


(E)		1pc
(N)		1pc

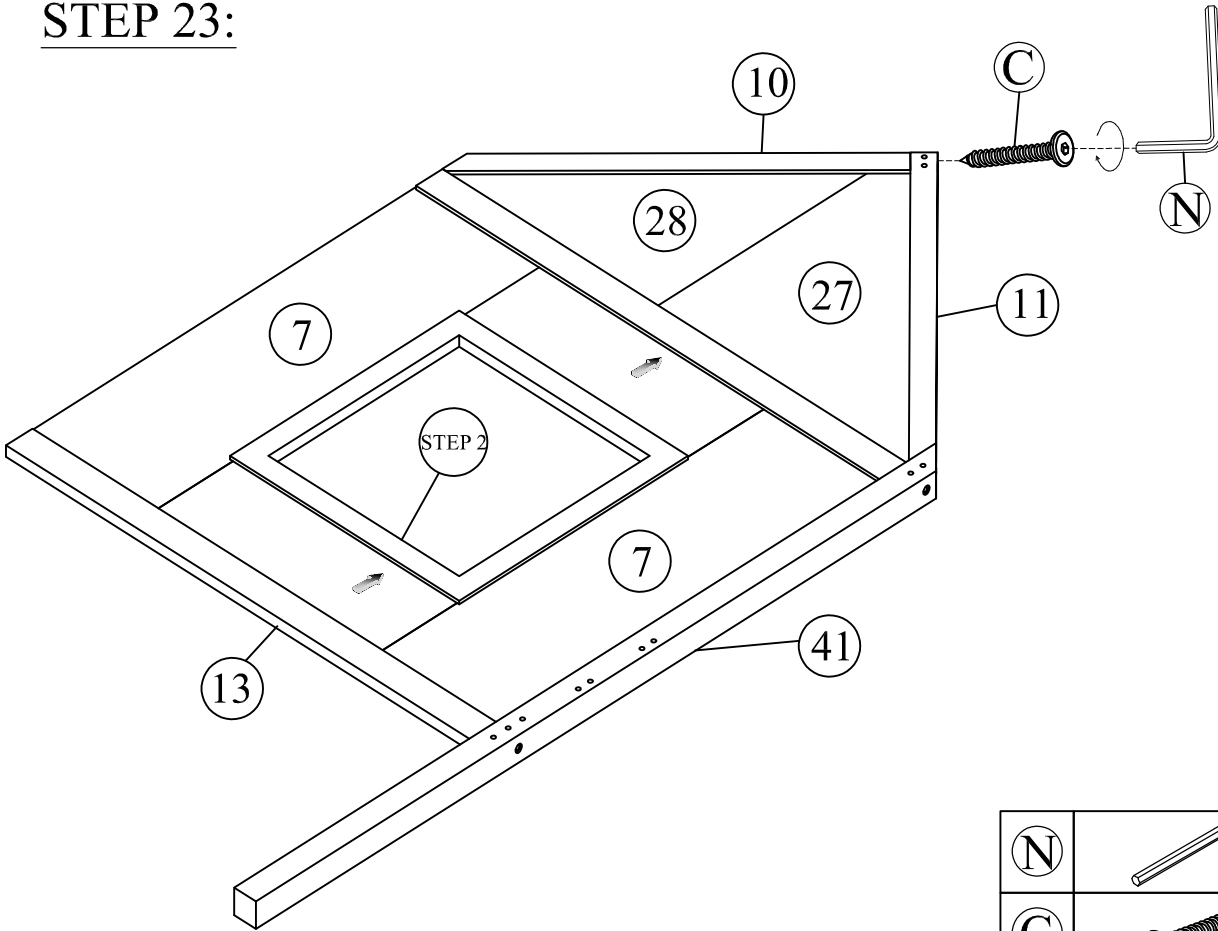
STEP 21:



STEP 22:

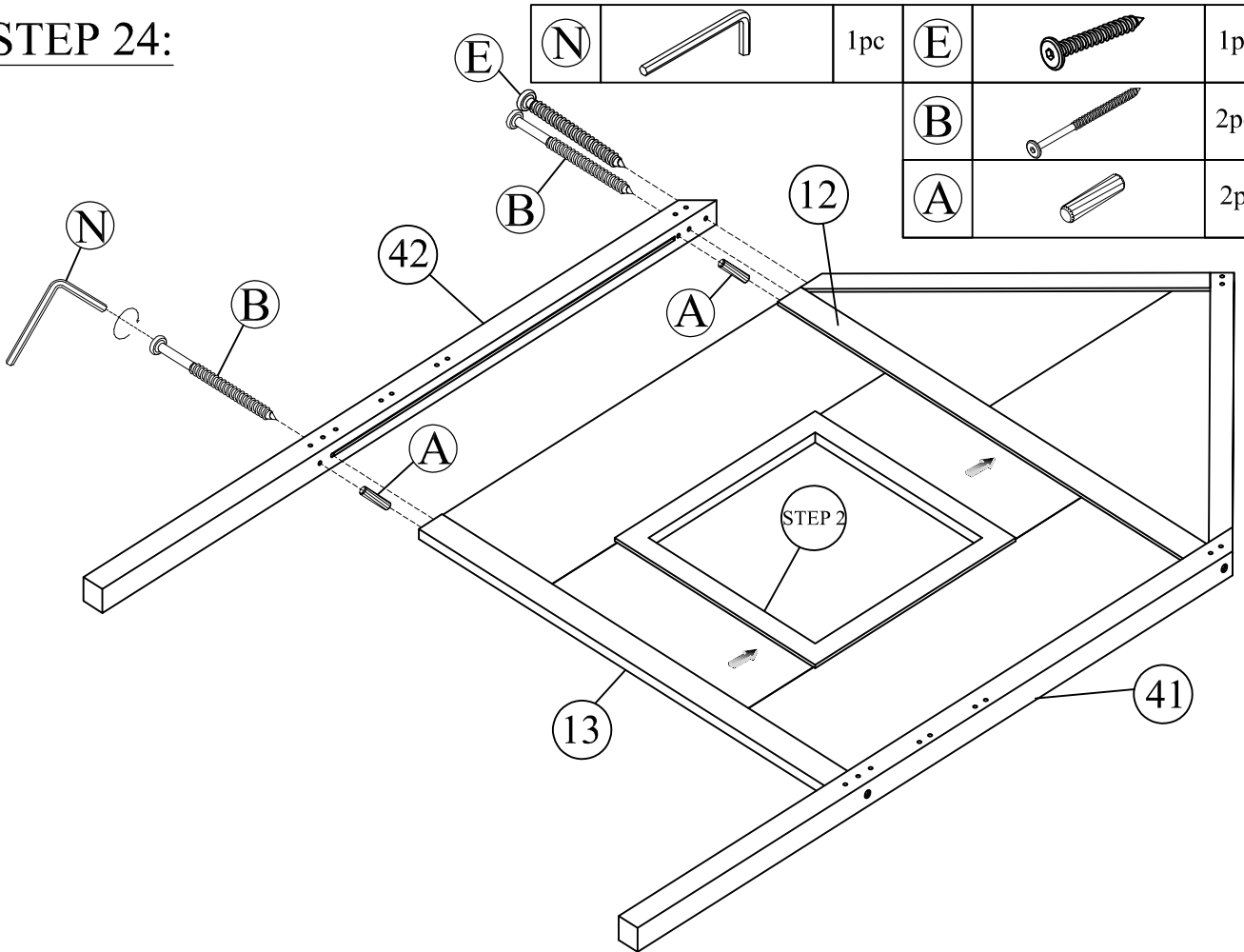


**STEP 23:**



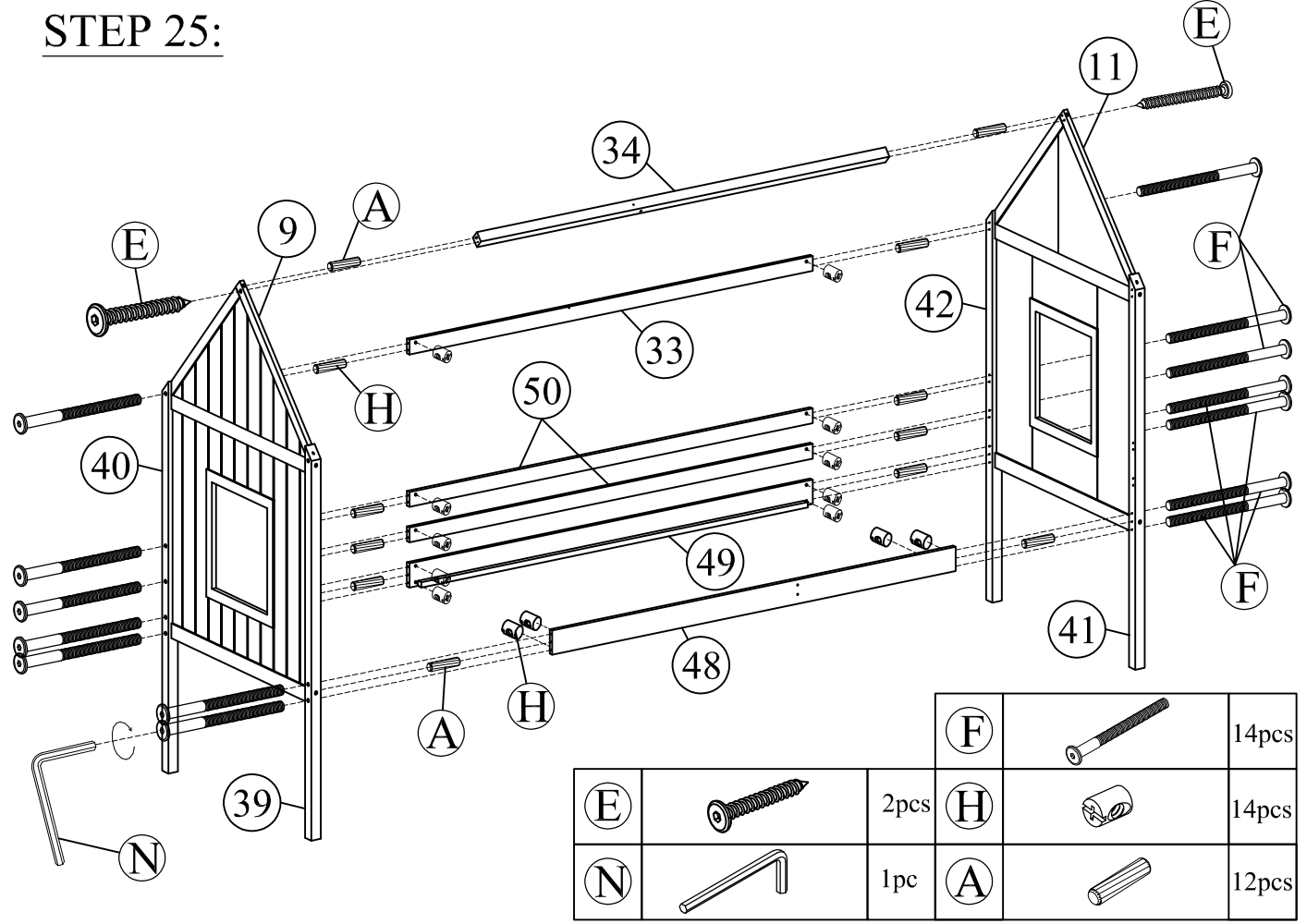
(N)		1pc
(C)		1pc

**STEP 24:**

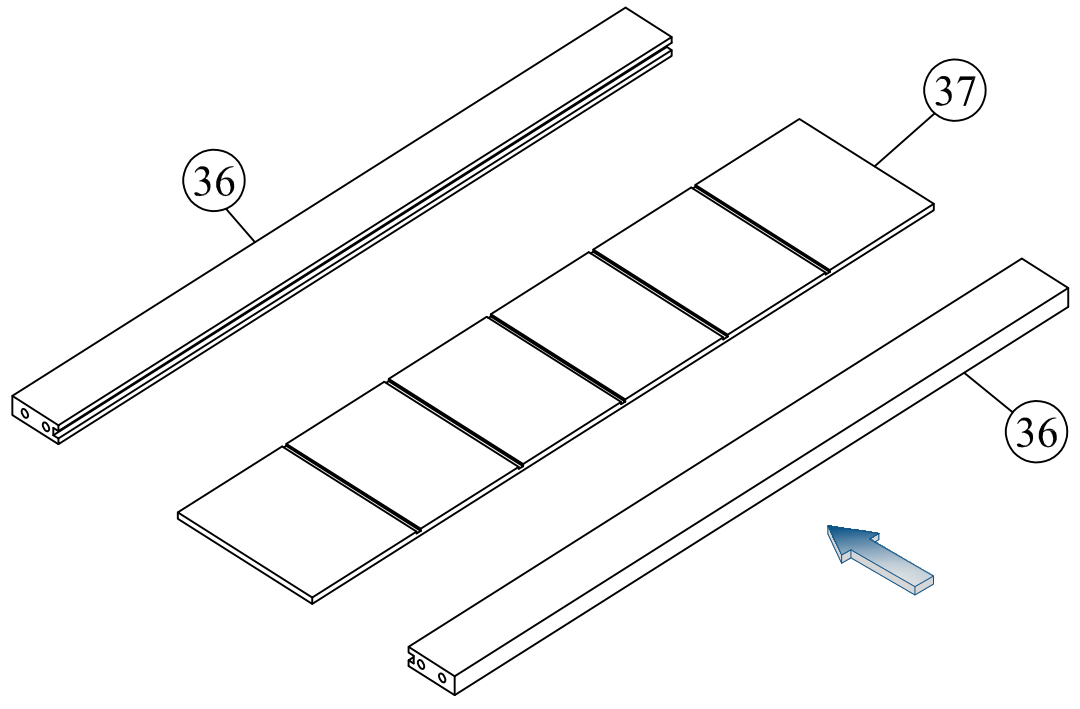


(N)		1pc	(E)		1pc
(B)		2pcs	(A)		2pcs

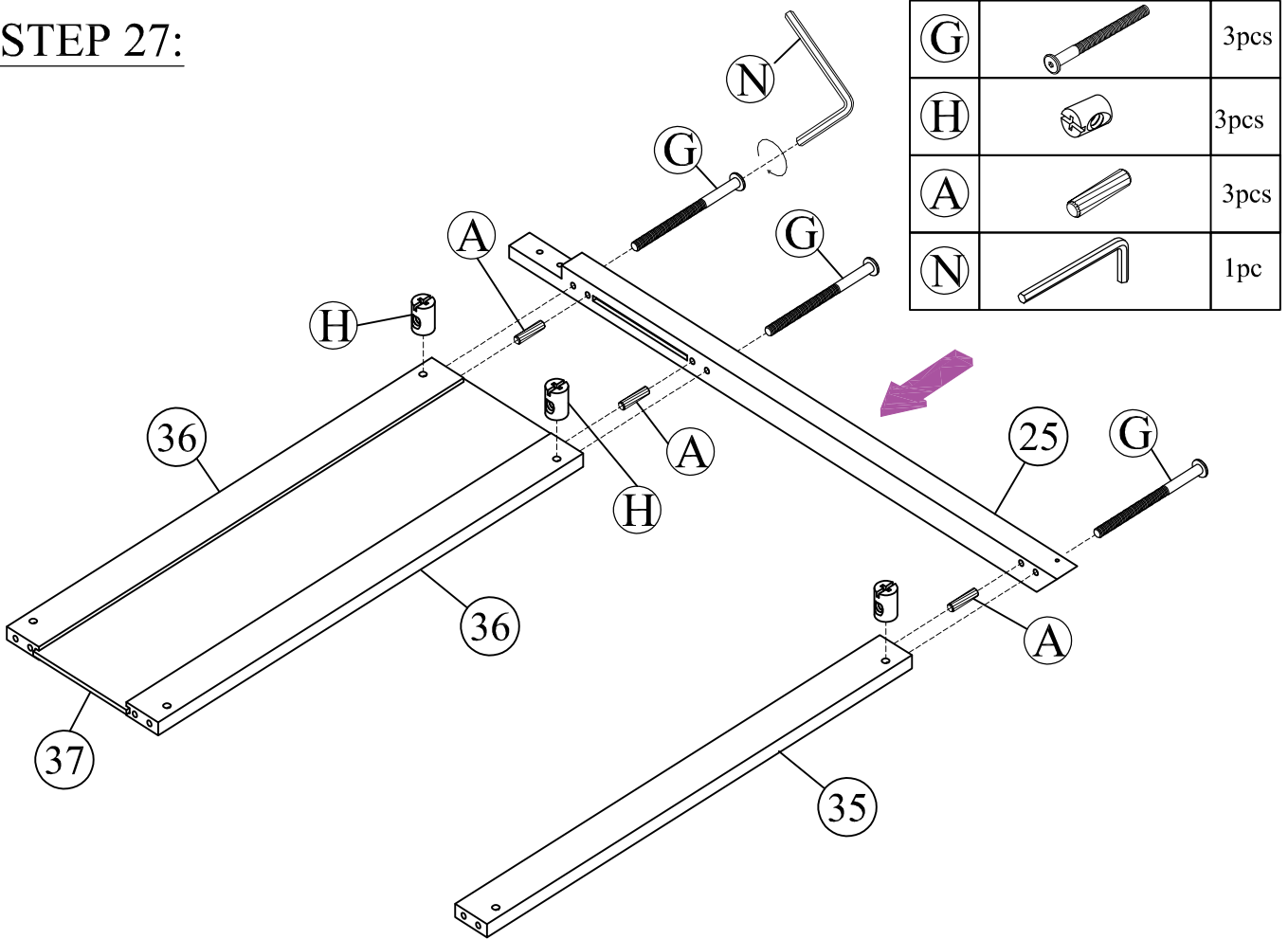
**STEP 25:**



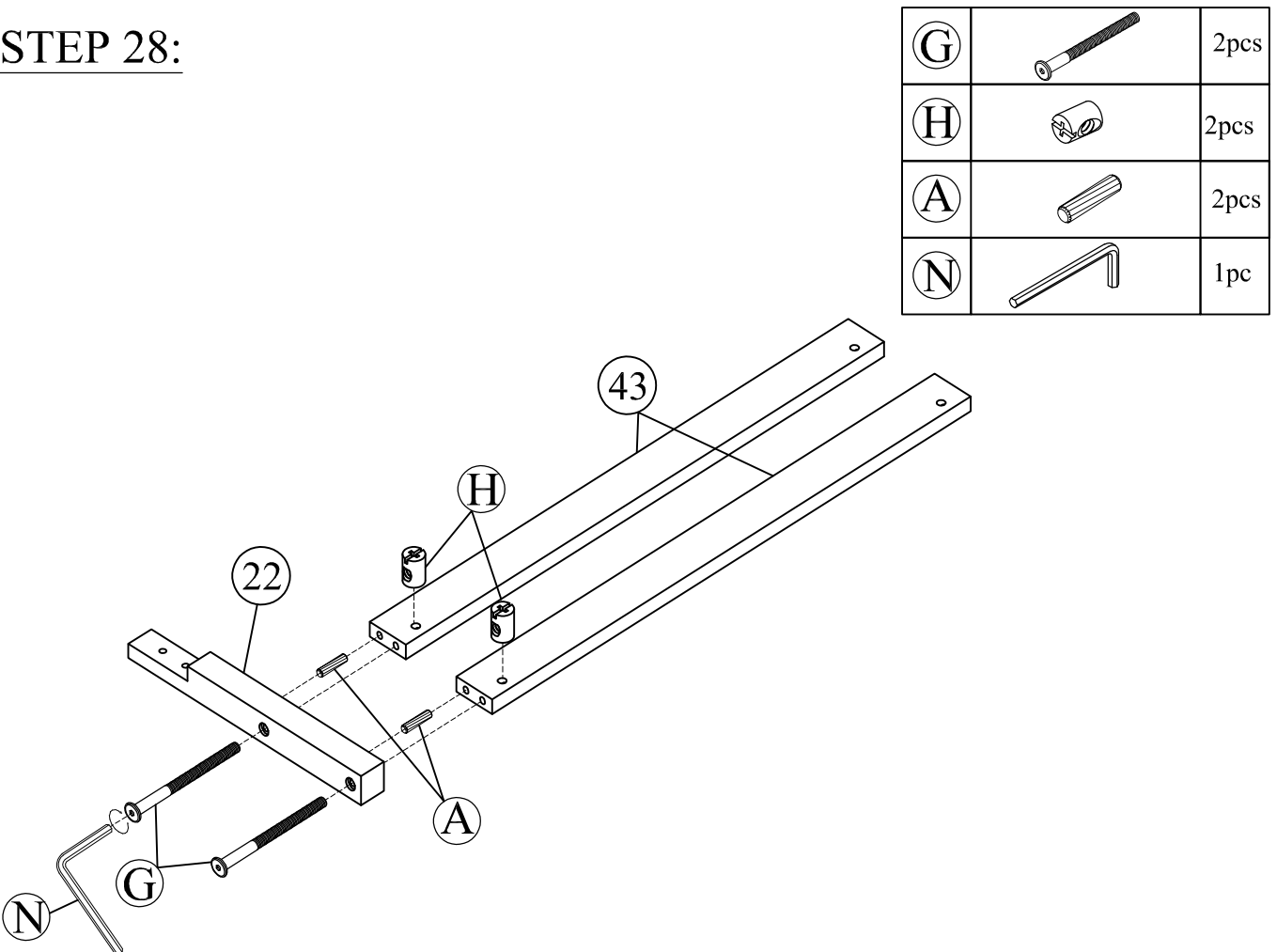
**STEP 26:**



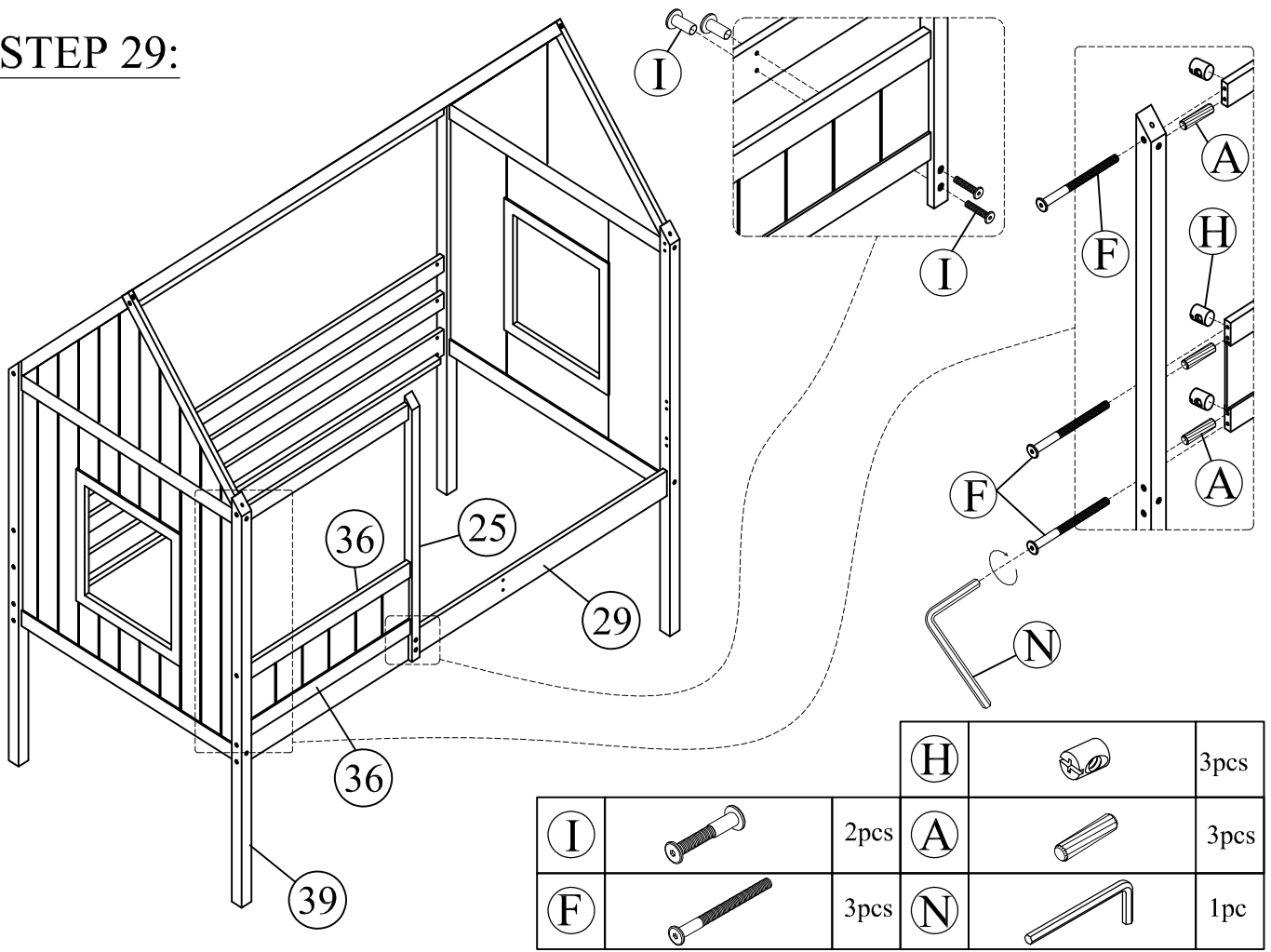
**STEP 27:**



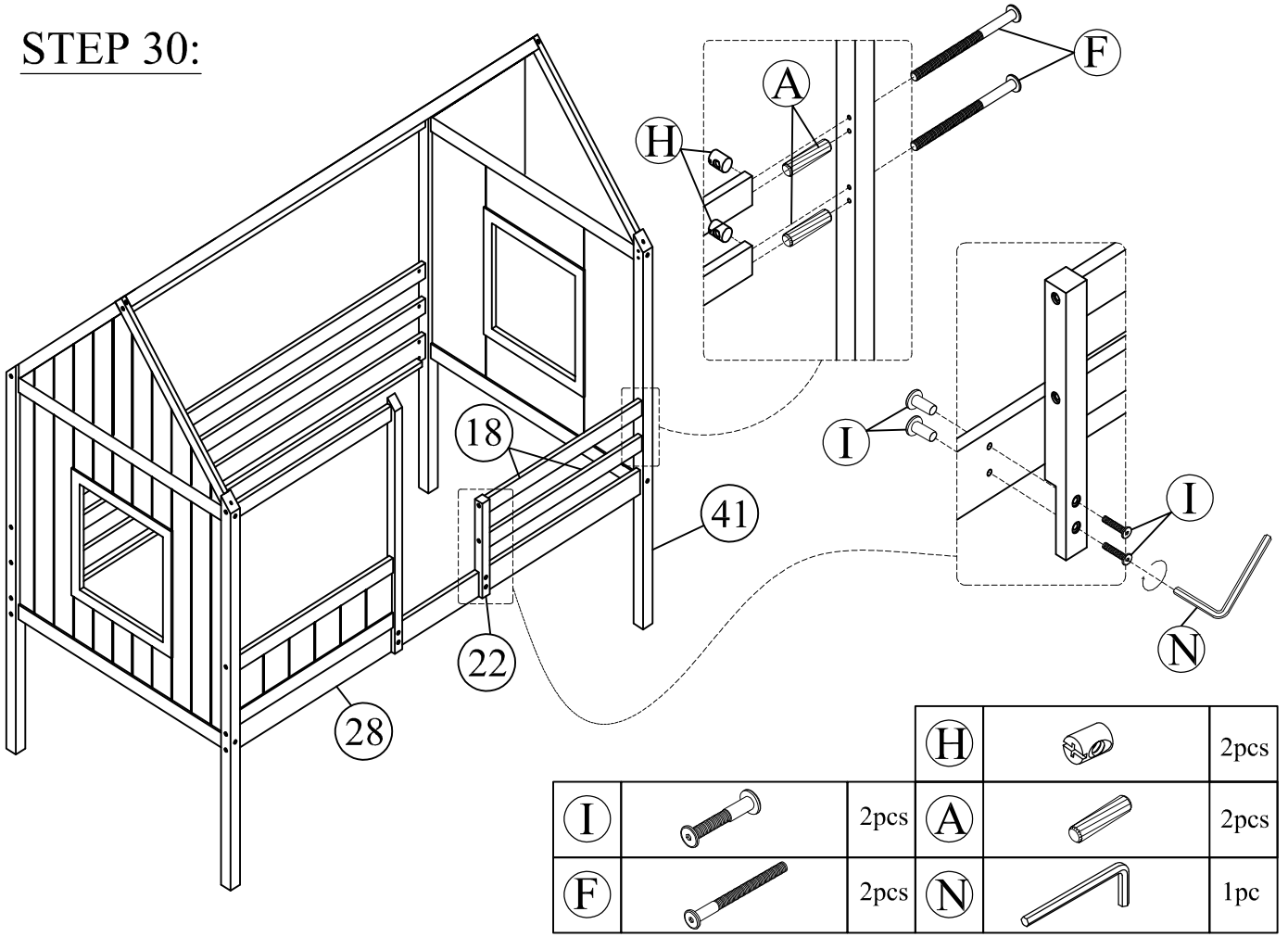
**STEP 28:**



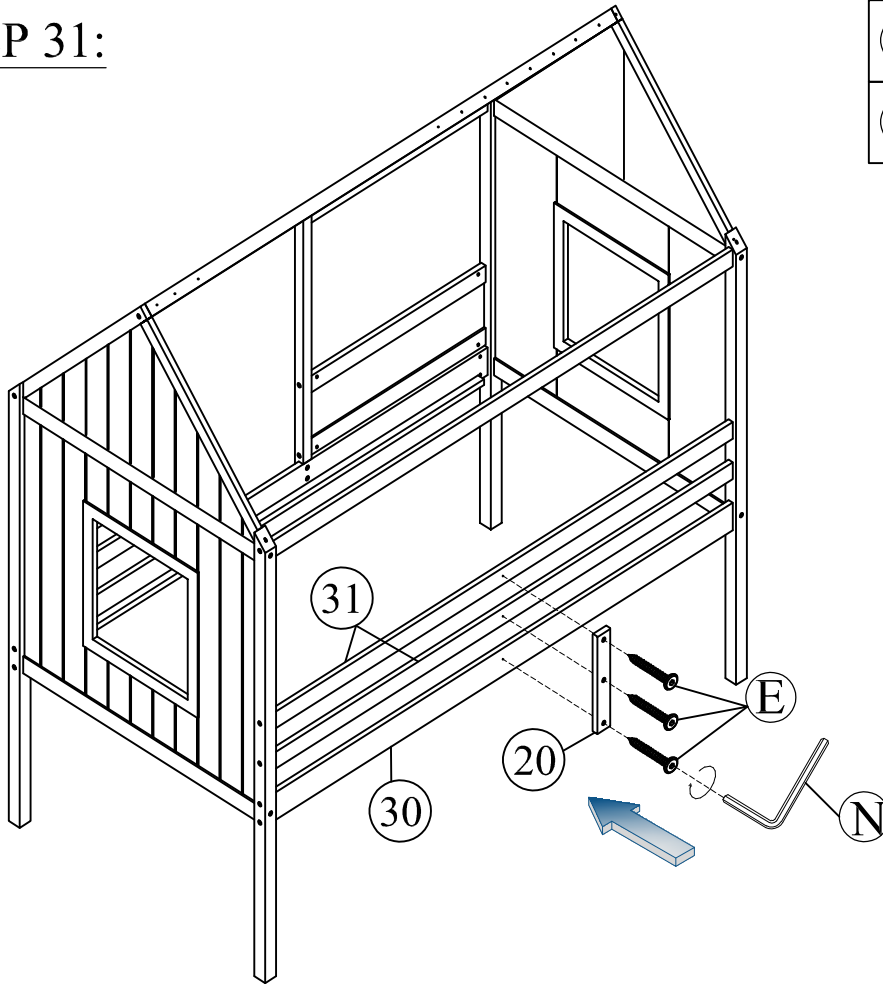
**STEP 29:**

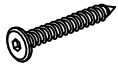



**STEP 30:**

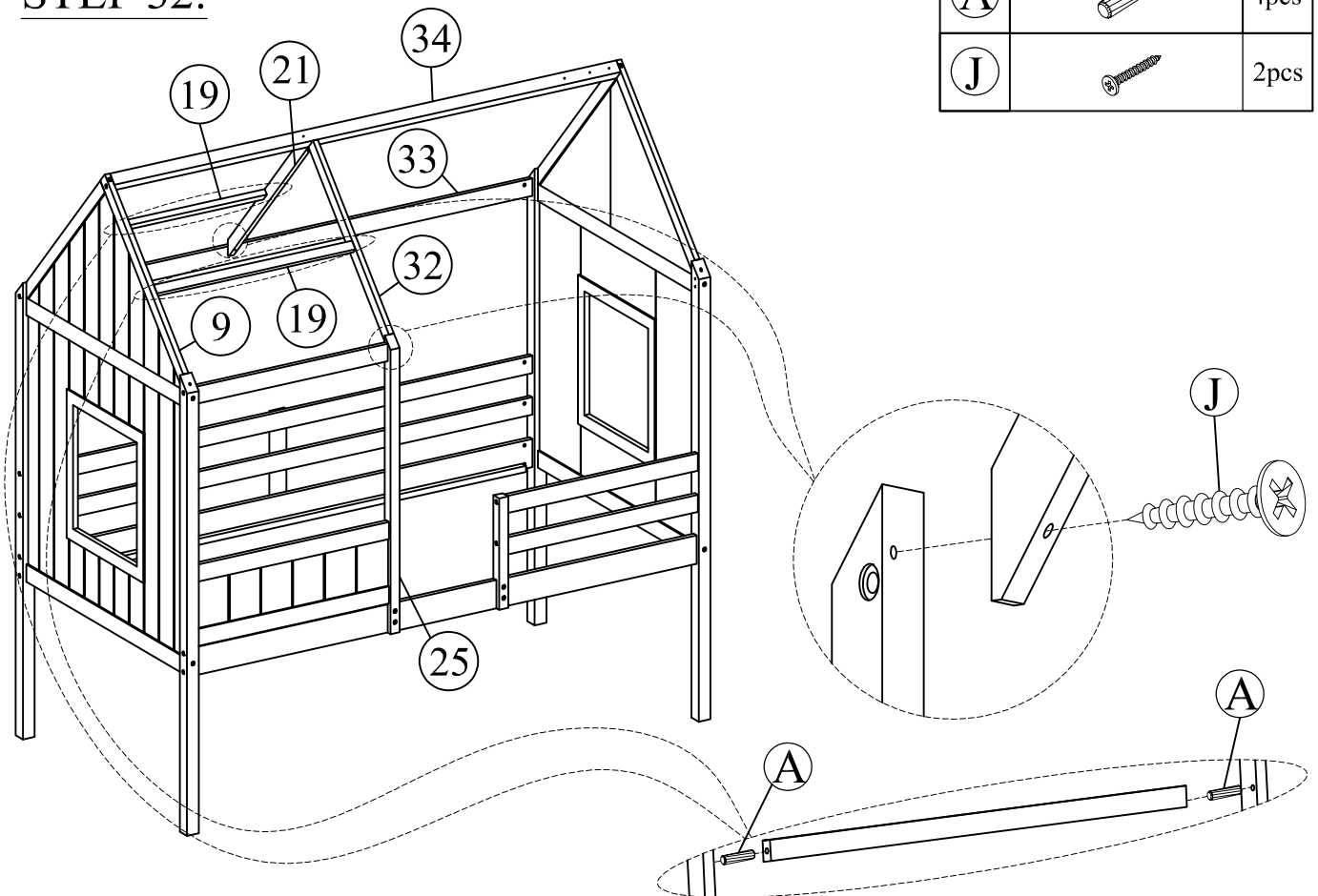


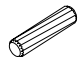

**STEP 31:**



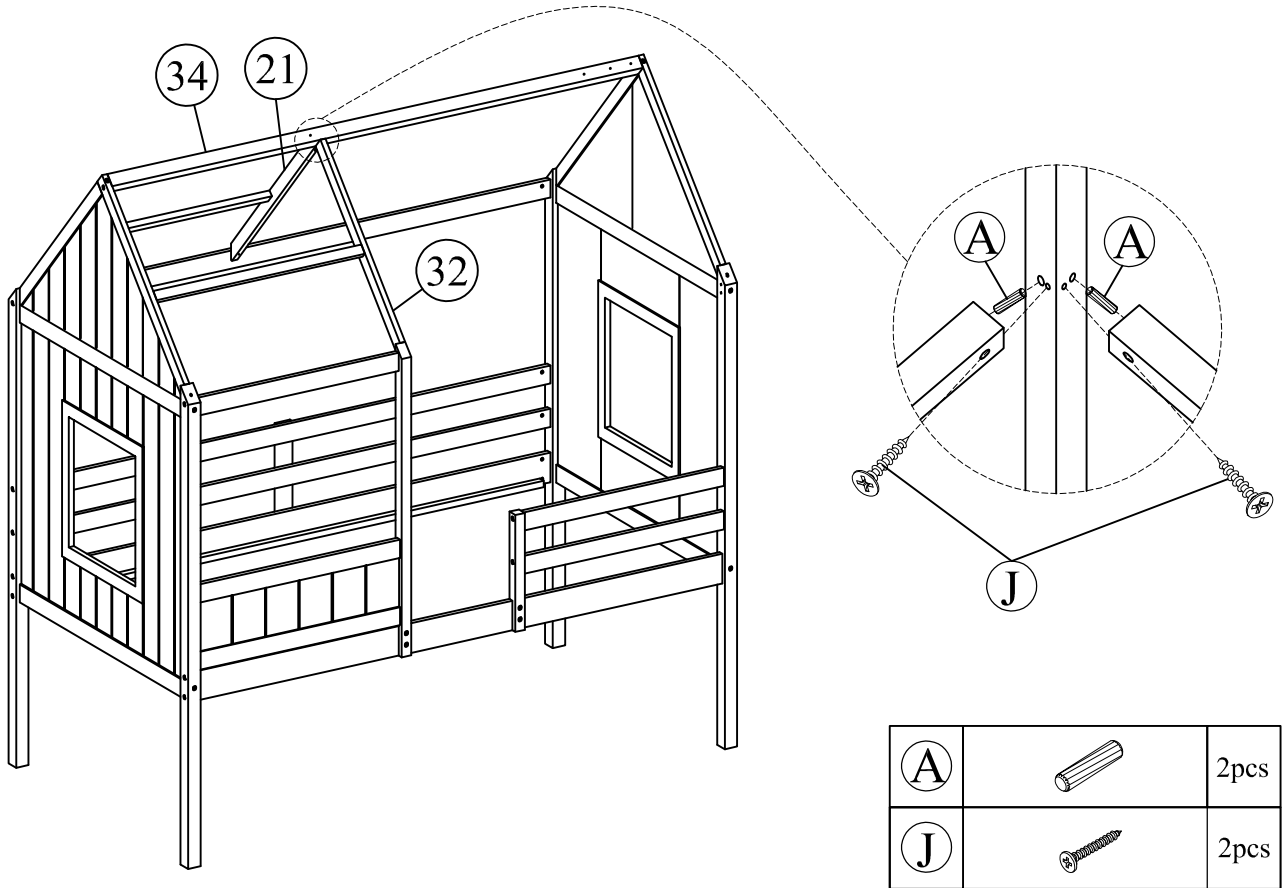
E		3pcs
N		1pc

**STEP 32:**

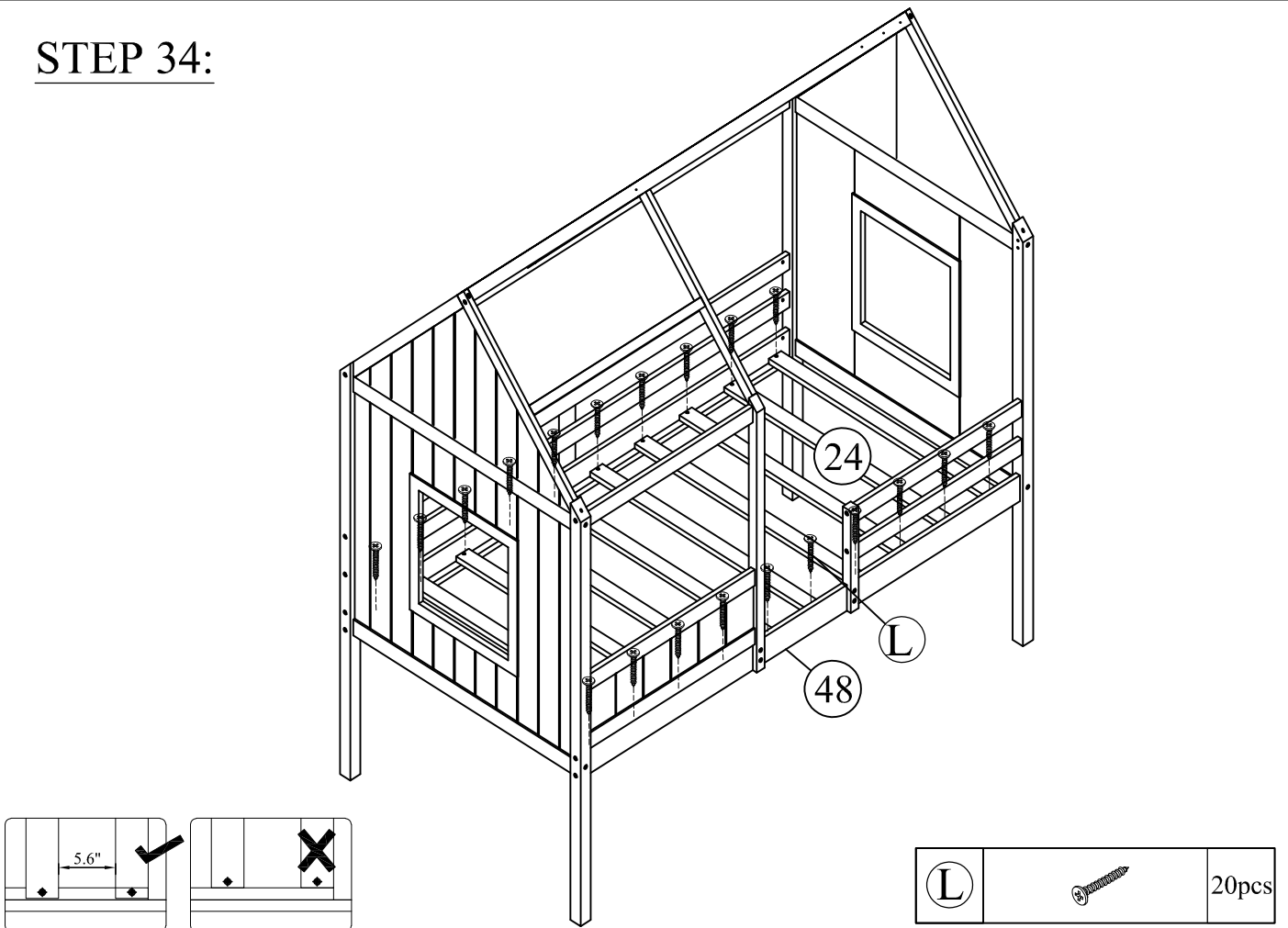


A		4pcs
J		2pcs

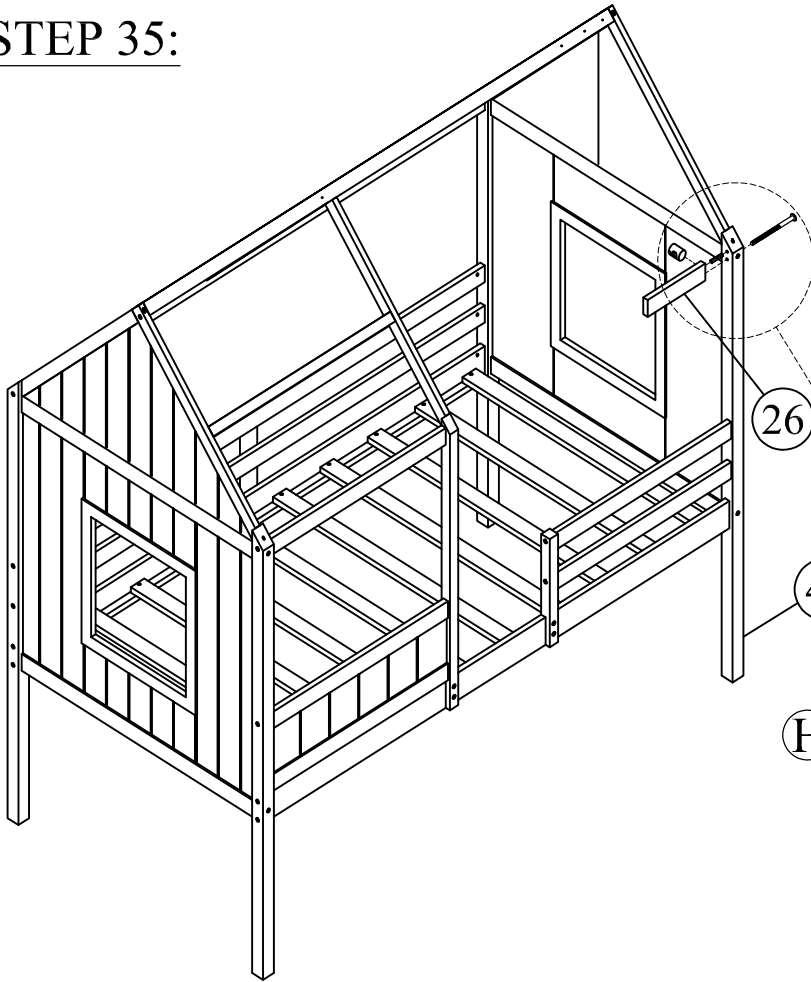
**STEP 33:**

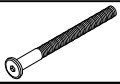

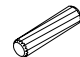
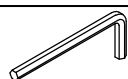


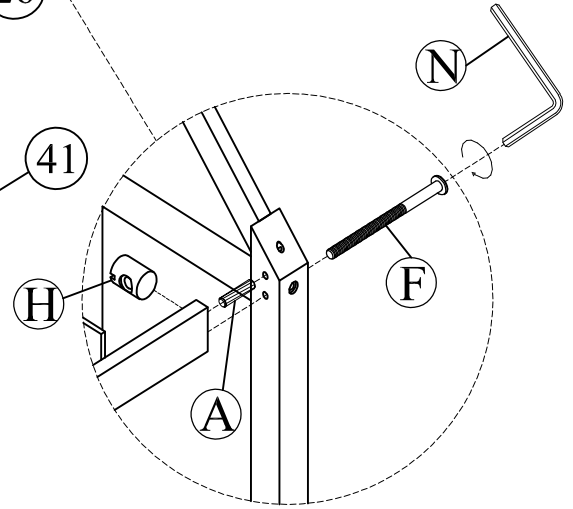
**STEP 34:**




**STEP 35:**

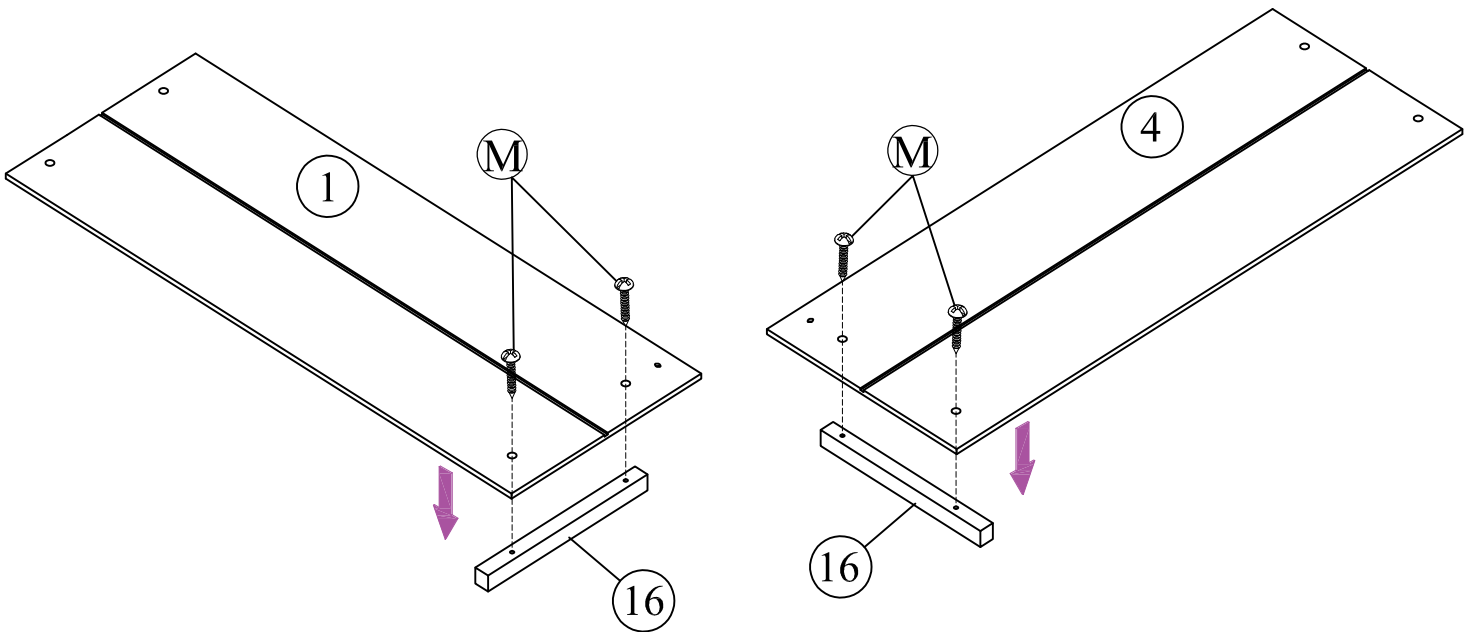


(F)		1pc
(H)		1pc
(A)		1pc
(N)		1pc

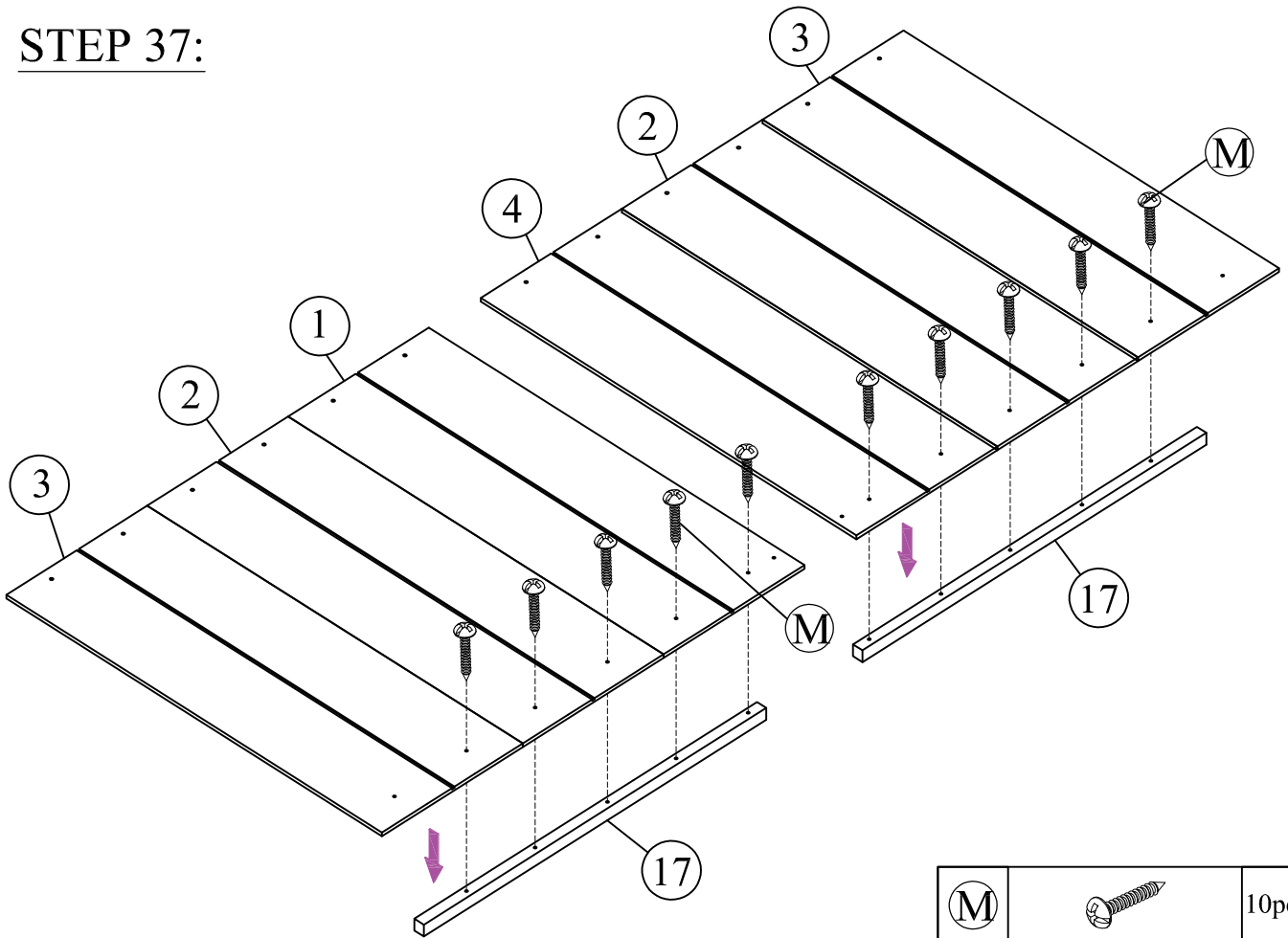


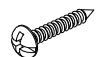
**STEP 36:**

(M)		4pcs
-----	---	------

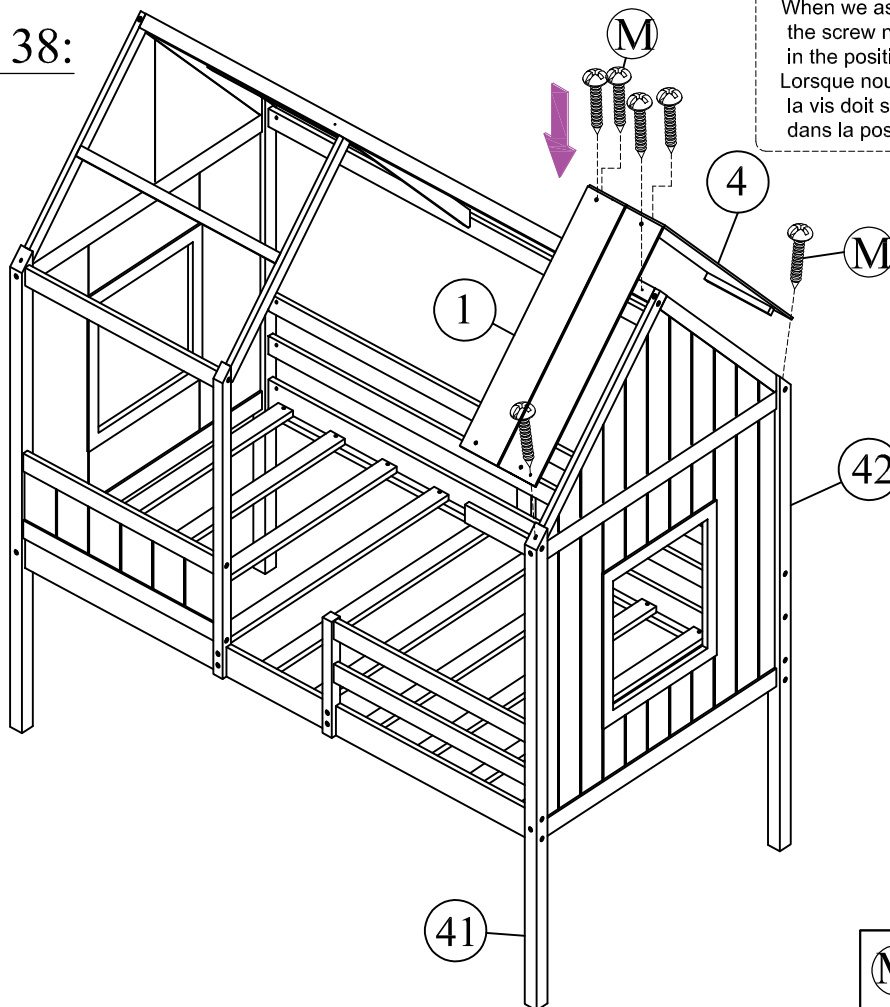


**STEP 37:**




(M)		10pcs
-----	---	-------

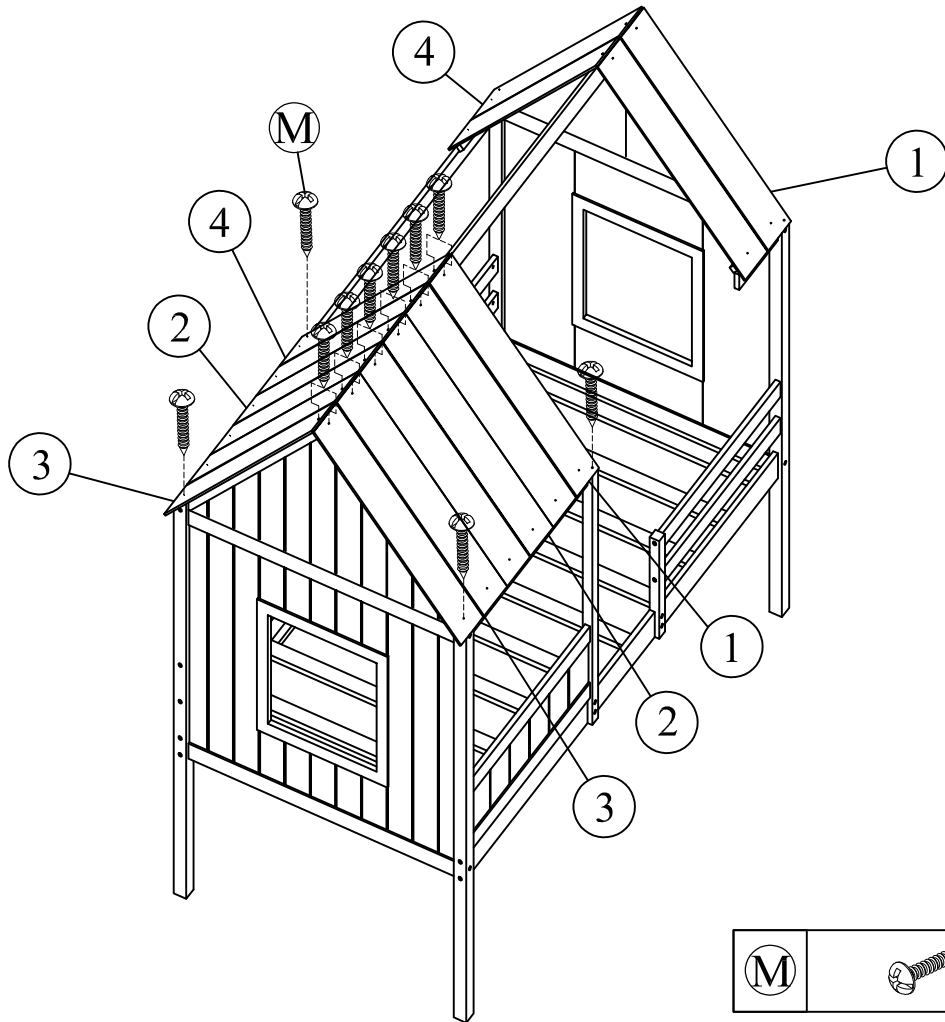
**STEP 38:**



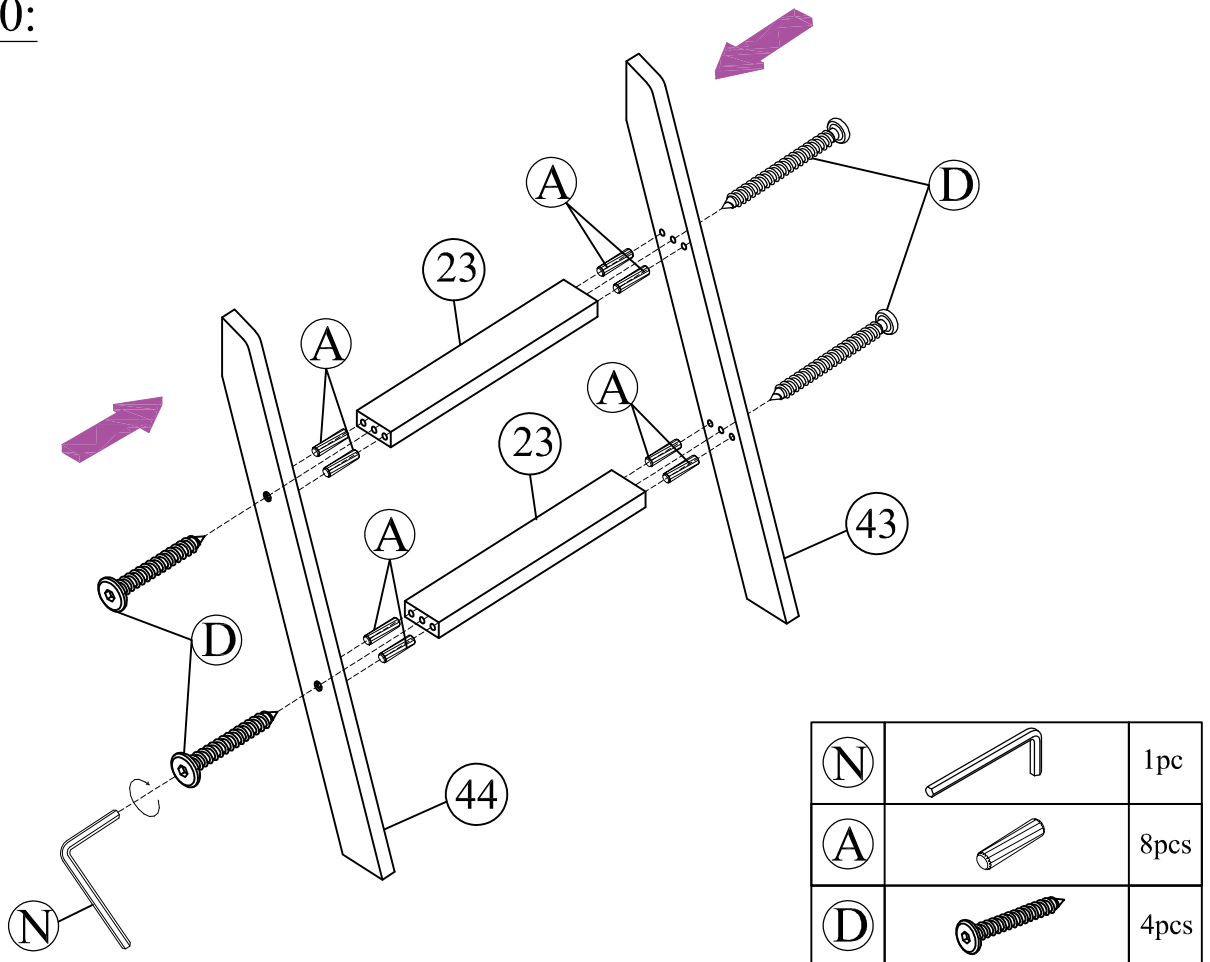
When we assemble this step, the screw need to tilt and it will be not in the position of pre-holes of bed legs  
 Lorsque nous assemblons cette étape, la vis doit s'incliner et ce ne sera pas le cas dans la position des pré-trous des pieds de lit

(M)		6pcs
-----	---	------


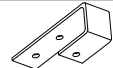
STEP 39:

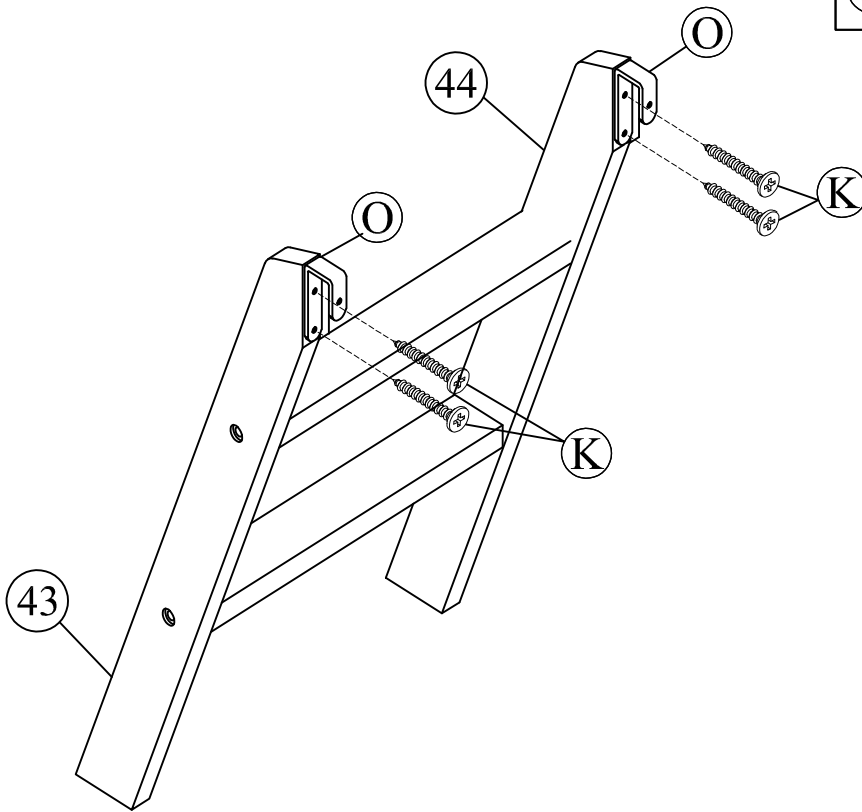


STEP 40:




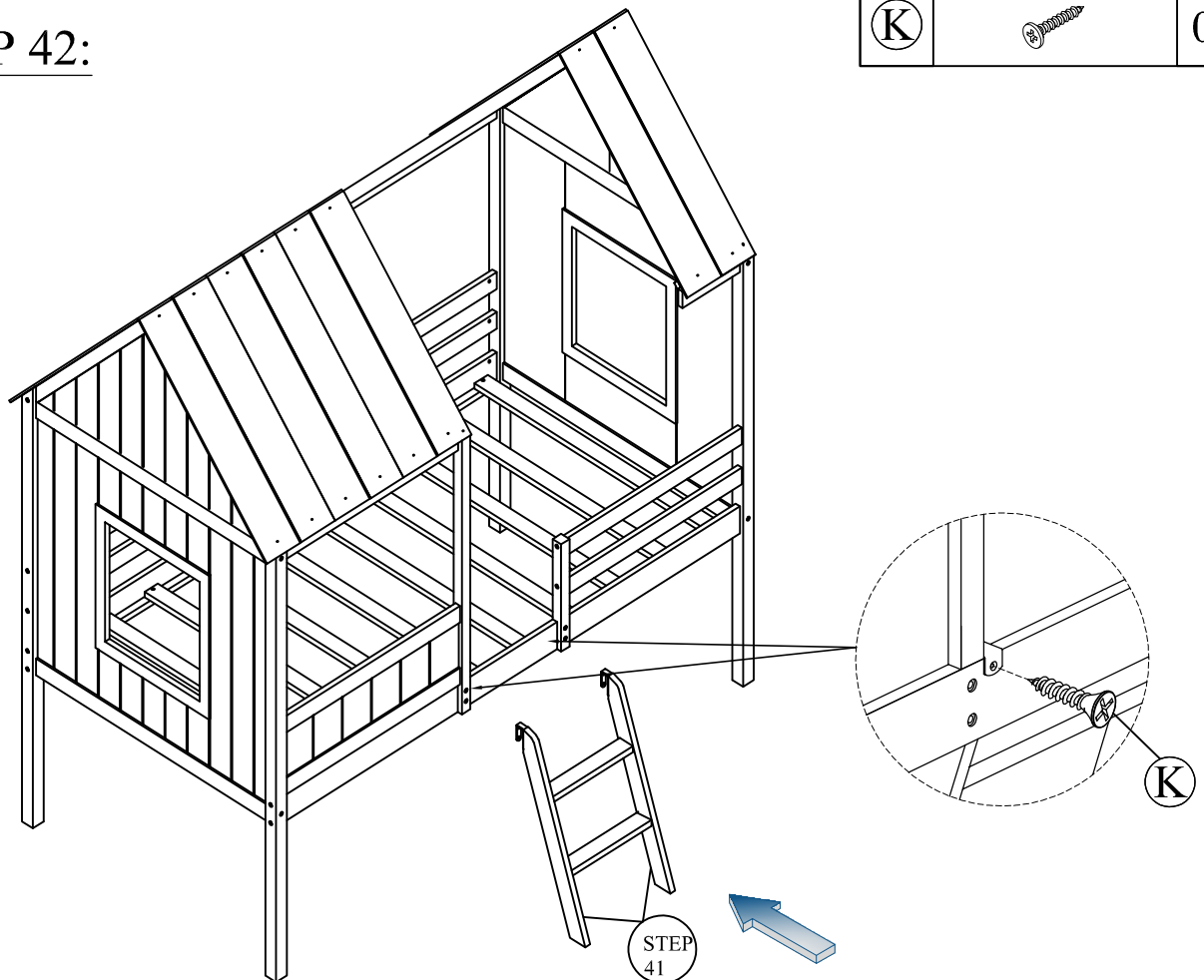
STEP 41:

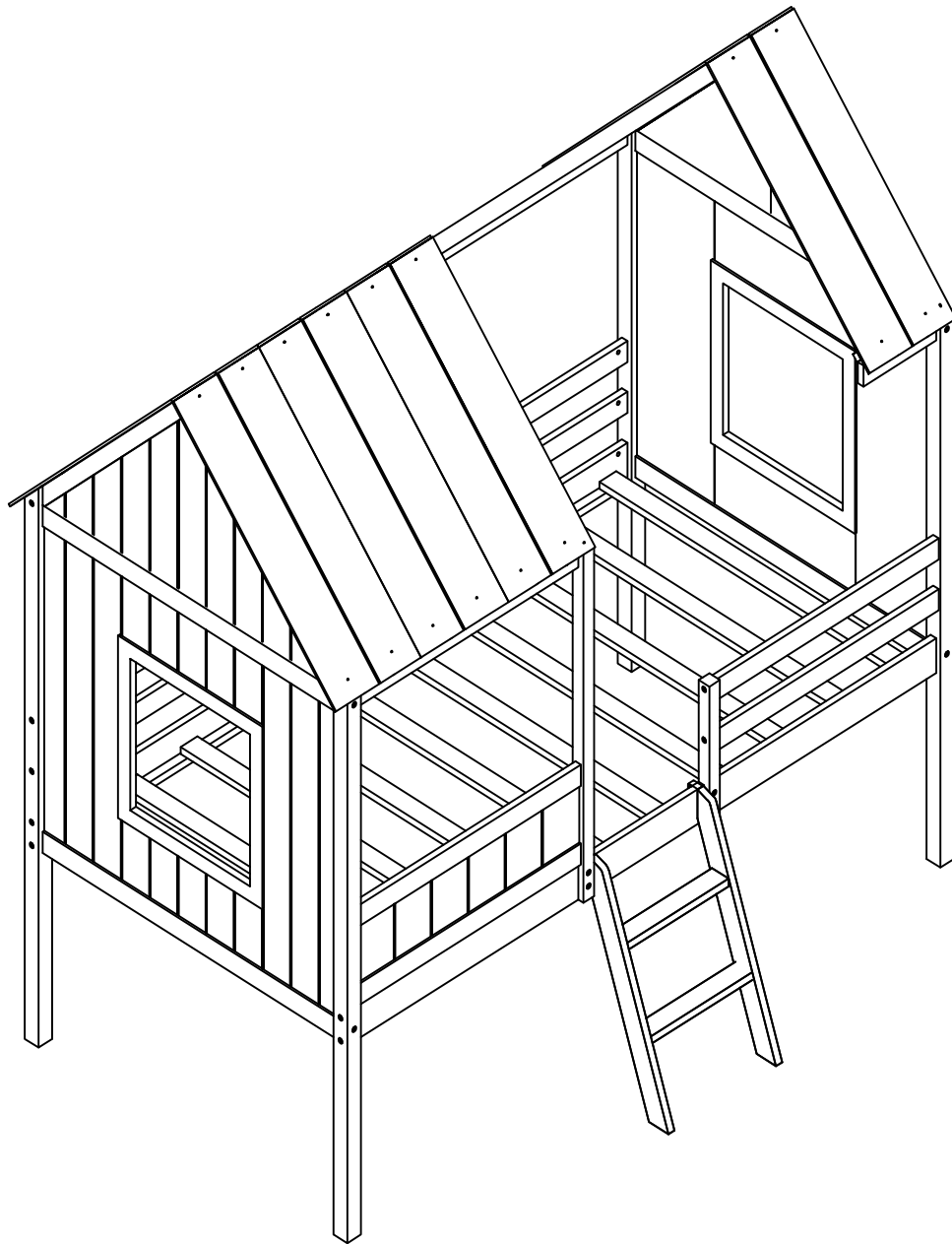
(K)		04
(O)		02



STEP 42:

(K)		02
-----	---	----





## Technical Support

(909)637-7665 | (909)637-7593

## Other Info

[HJ-Customer-Service@outlook.com](mailto:HJ-Customer-Service@outlook.com)

Thank you for choosing this product. We strive to provide you with the best quality products and service in the industry. Should you have any issues, please don't hesitate to contact us.