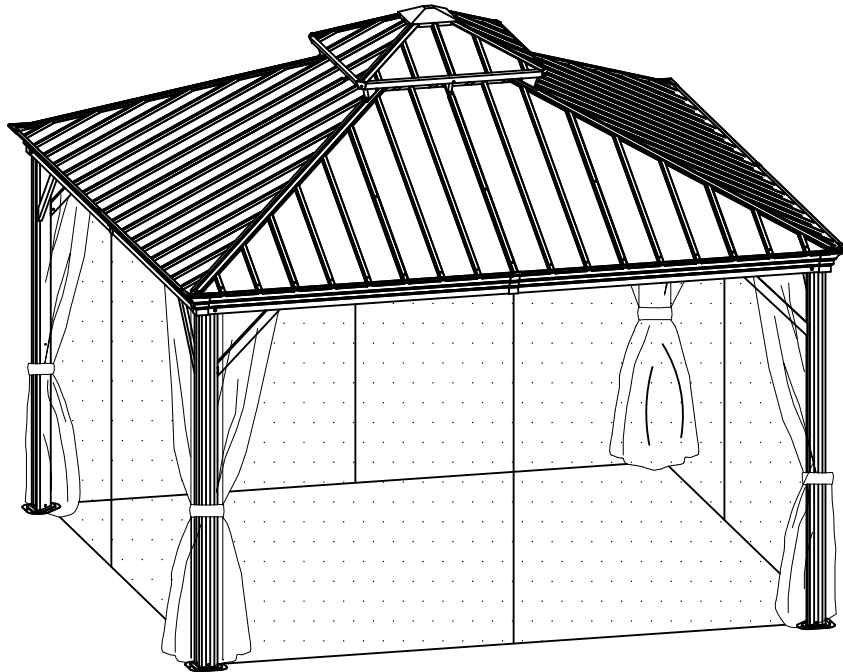


12 x 12FT

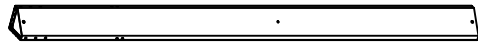
▯ ▯ ▯ ▯ ▯ ▯ ▯ XWG-256MS-2 ▯ ▯ ▯ ▯ ▯ ▯ ▯



ATTENTION:

1. Please check the manual carefully and make sure you have received all the parts.
2. If there is any missing, please let us know the letter of the parts you need.
3. If there is any damage, please send clear photos to us, we will check and offer you best solution soon.

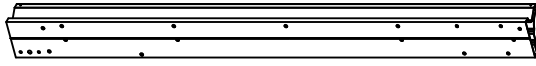
If you have any problems, please feel free to contact us. Our professional customer service and after-sales team are always ready to help you.



(A9) 4x



(B25) 4x



(B26) 4x



(E20) 4x



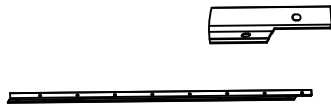
(D8) 4x



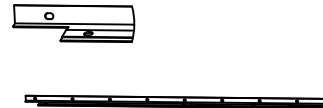
(C1) 4x



(C2) 4x



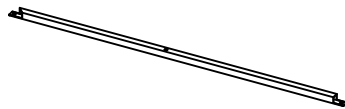
(D1) 4x



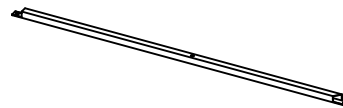
(D2) 4x



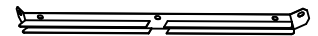
(G1) 4x



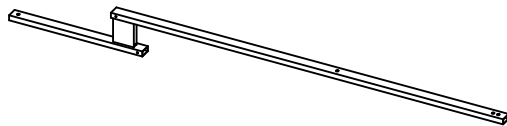
(F1) 4x



(F2) 4x



(I1) 4x



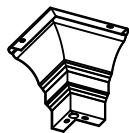
(JE2) 4x



(H) 4x



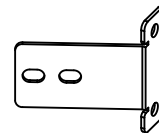
(H1) 4x



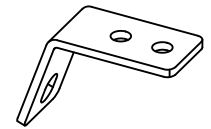
(K) 4x



(K1) 4x



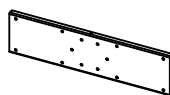
(JZ1) 4x



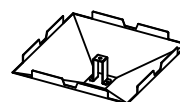
(JZ4) 4x



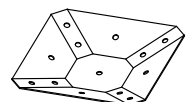
(J) 4x



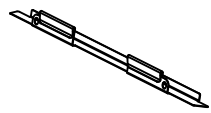
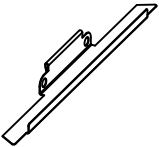
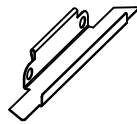
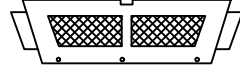

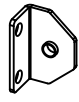


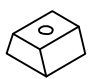

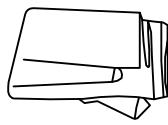
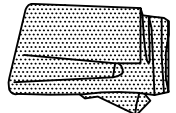
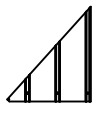
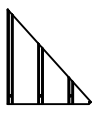



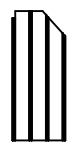
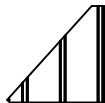
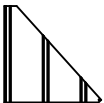






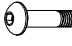
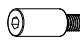




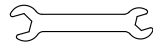
(P) 4x



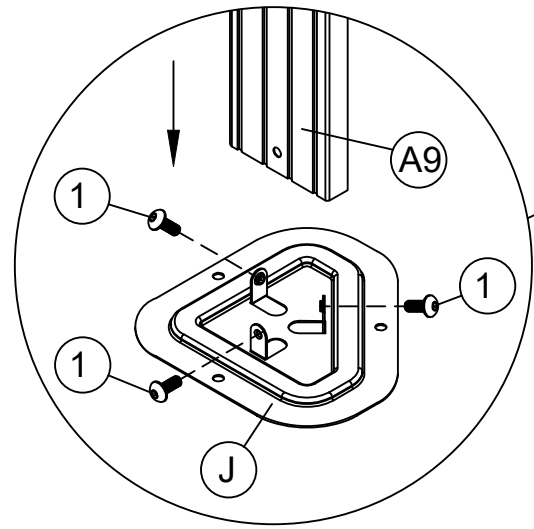
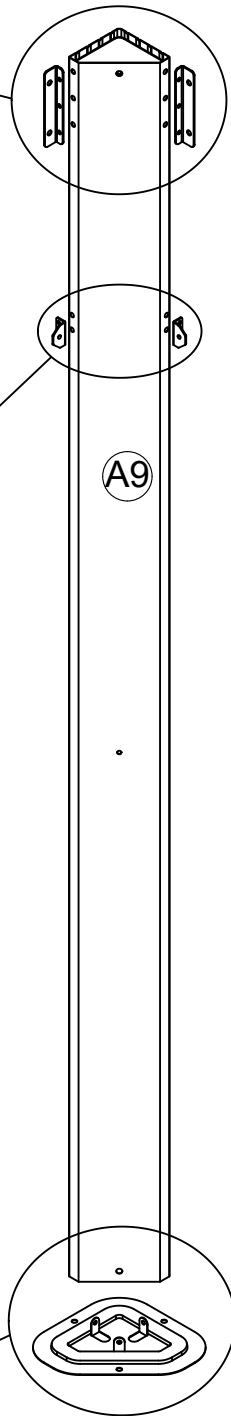
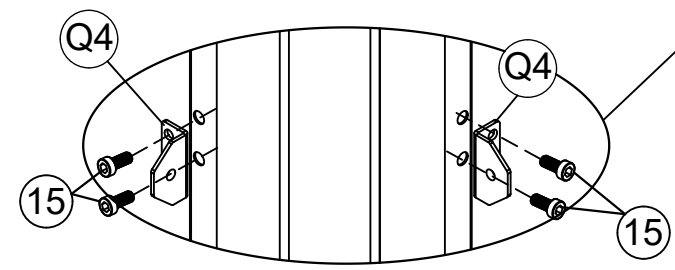
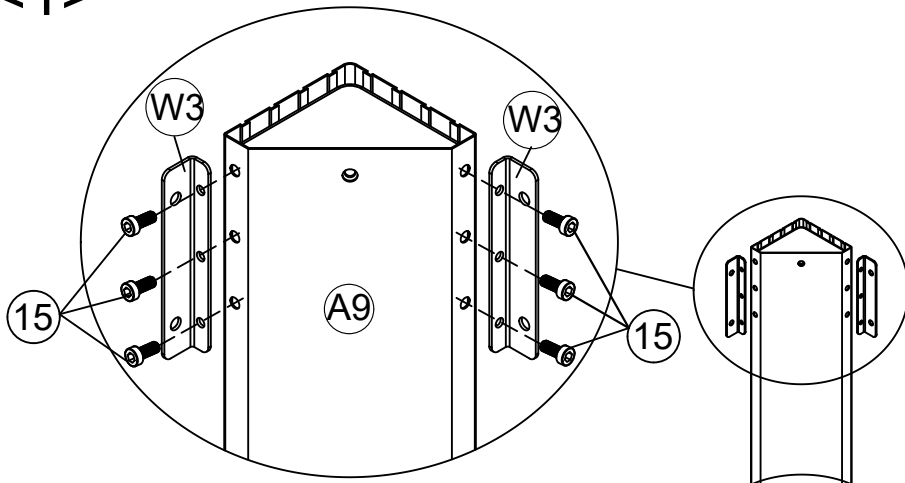
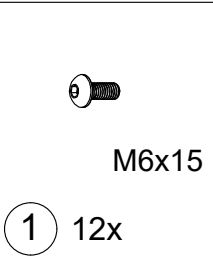
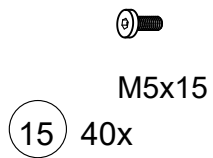
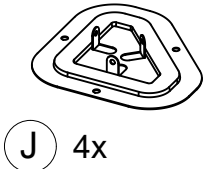
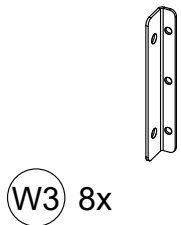
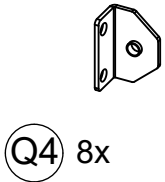
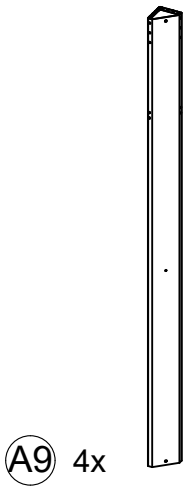
(M1) 1x



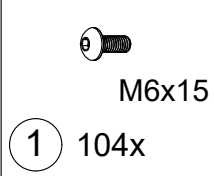
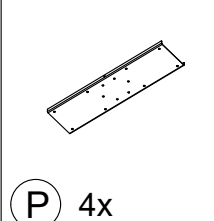
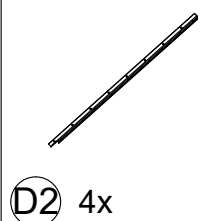
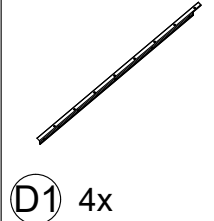
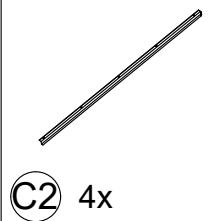
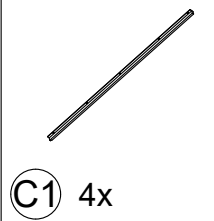
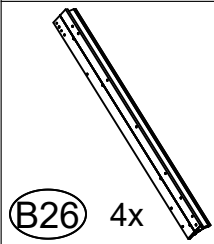
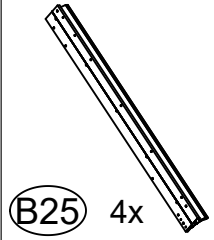
(L1B) 1x

 Z 64x	 Z1 8x	 Z2 8x	 V1a 2x + V1b 2x
 W3 8x	 Q4 8x	 N 8x	 V 4x
 Y 80x	 U 112x	 T 4x	 T1 4x
 R1 4x	 R2 4x	 R3 4x	 R4 4x
 R5 4x	 R6 4x	 S1 4x	 S2 4x
 M6x15 1 224x	 M6x23 2 64x	 M6x25 3 4x	 ST 4.8x12 4 24x
 5 1x	 M6x42 6 4x	 M6x45 7 8x	 8 16x
 M6x10 9 8x	 M8x50 10 12x	 12 2x 4mm	 M5x15 15 40x
		 14 1x	

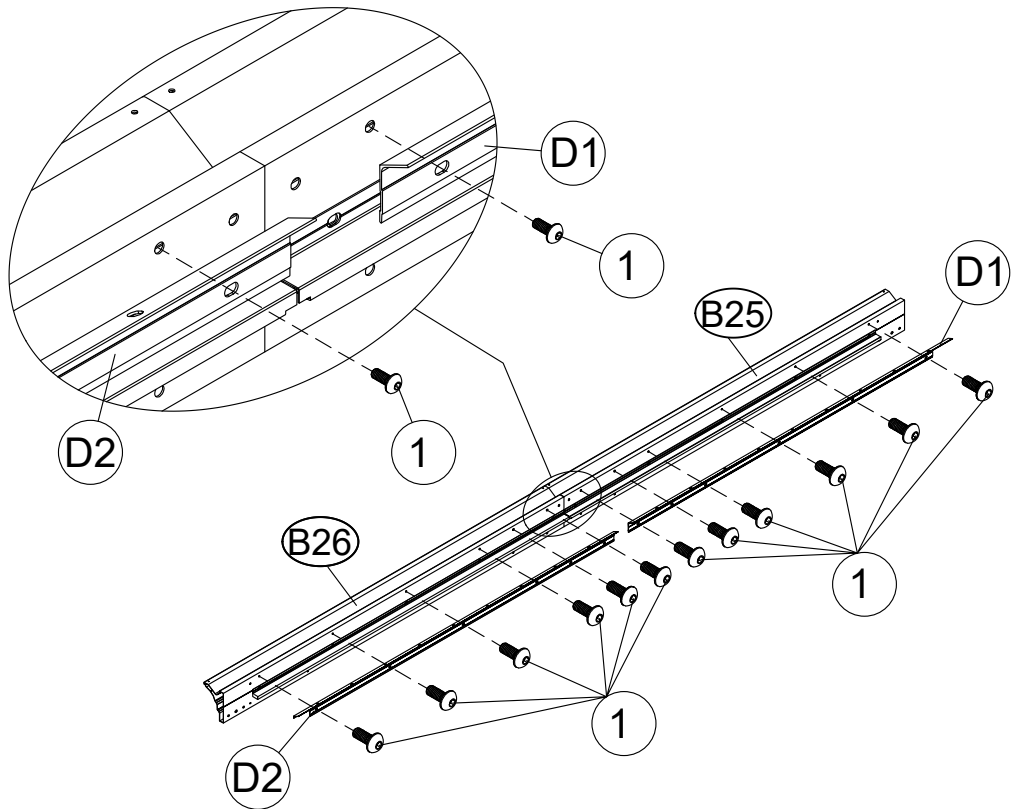
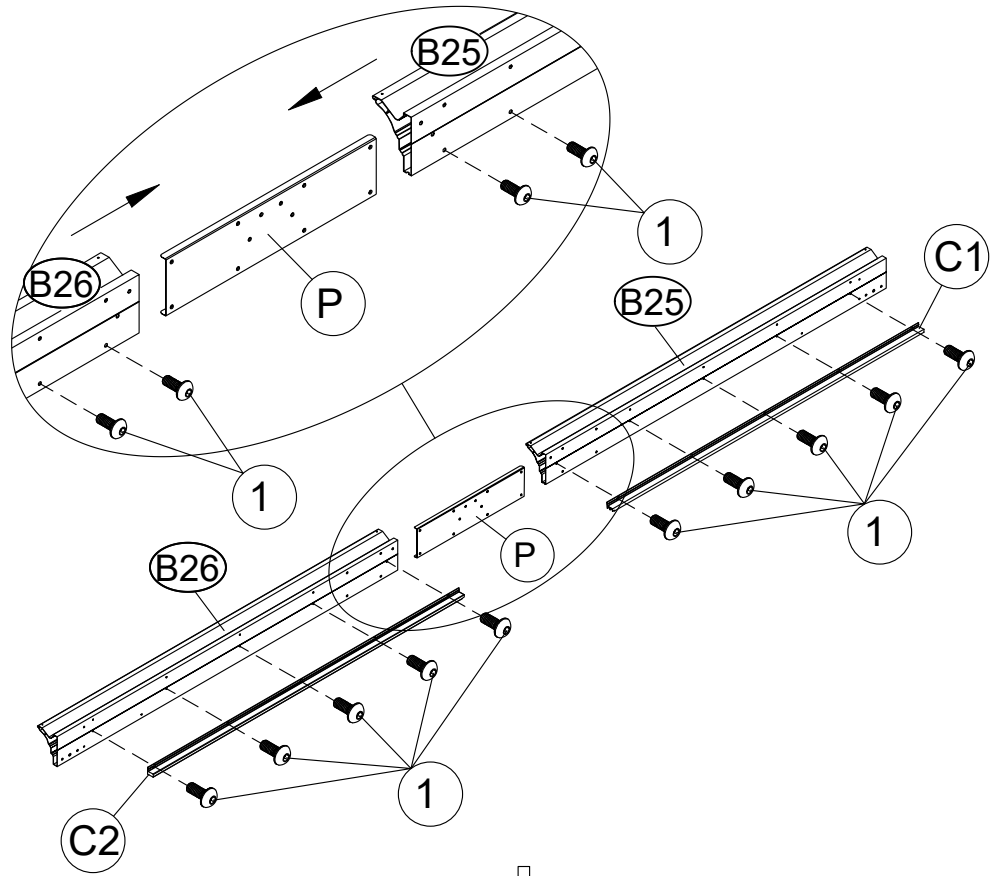
<1>



<2>



5





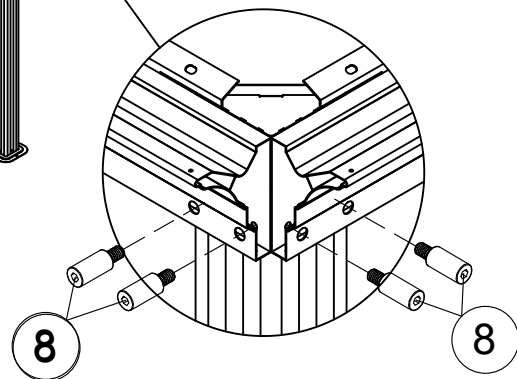
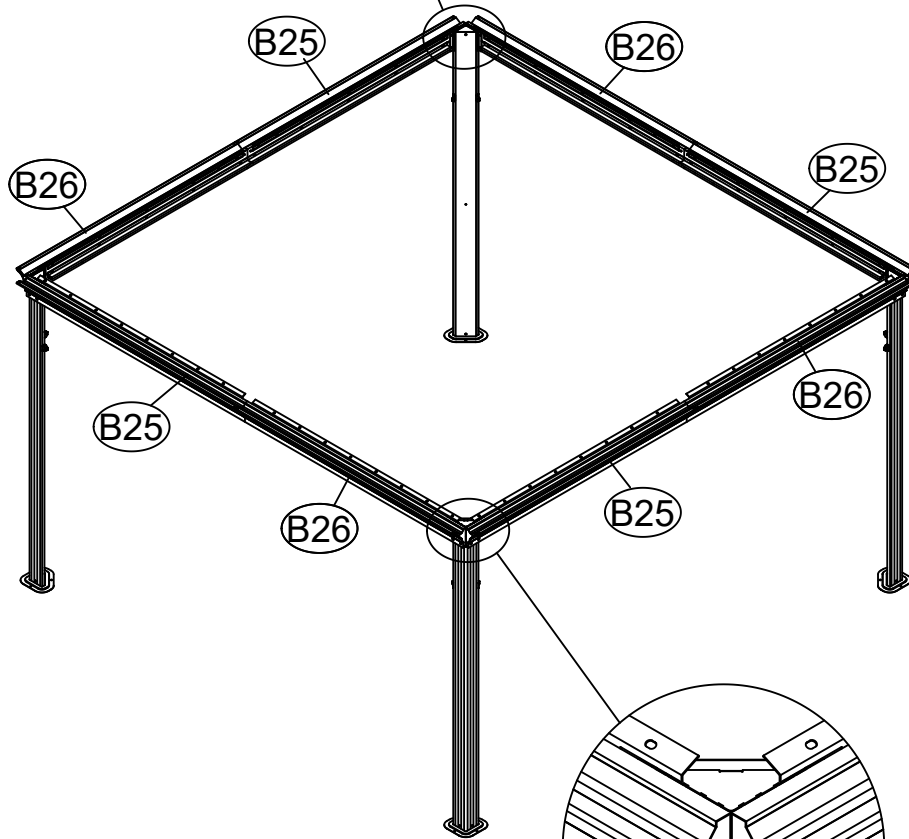
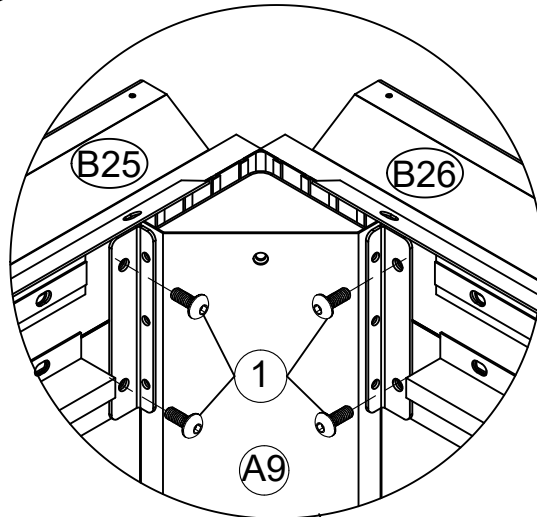
M6x15

1 16x

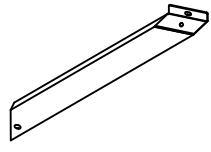


8 16x

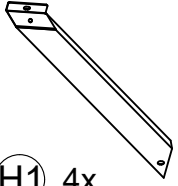
<3>



6



(H) 4x



(H1) 4x



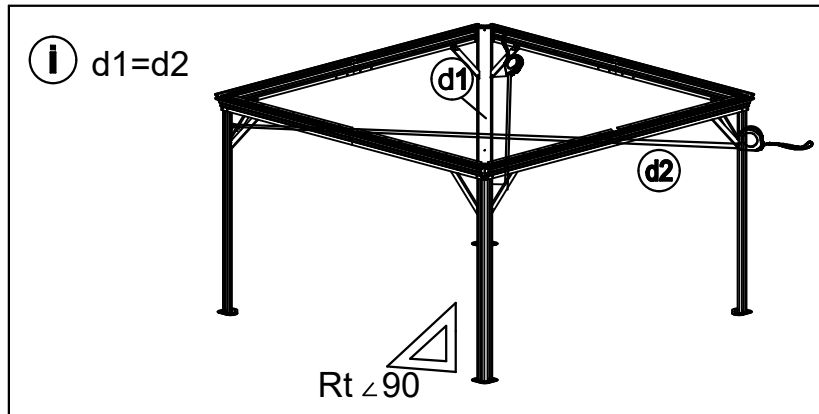
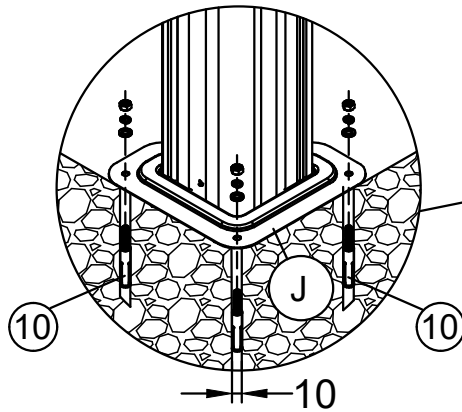
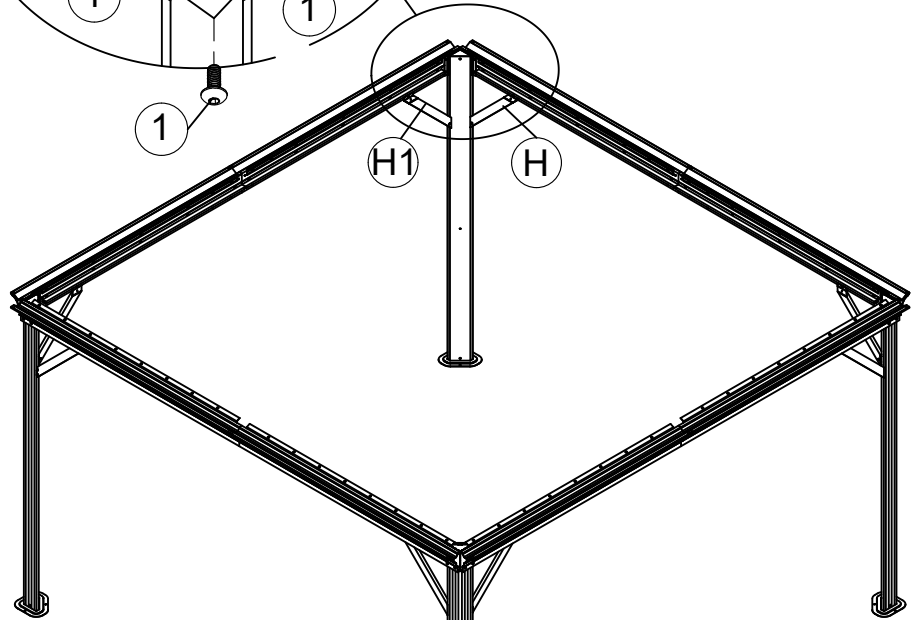
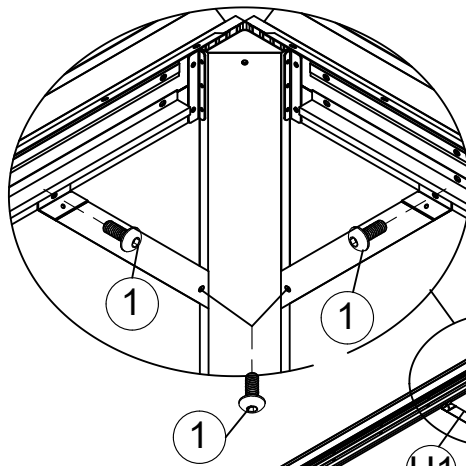
M6x15

(1) 16x

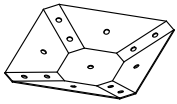


(10) 12x

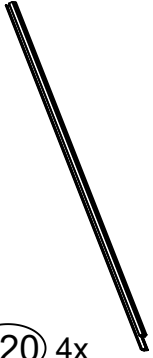
<4>



Tips: Please measure to make sure the length of d1 is equal to d2 before moving to next step to ensure a square frame and best results. Keep the beam at right angles to the post, the post at right angles to the ground, and keep the beam horizontal.



L1B 1x



E20 4x



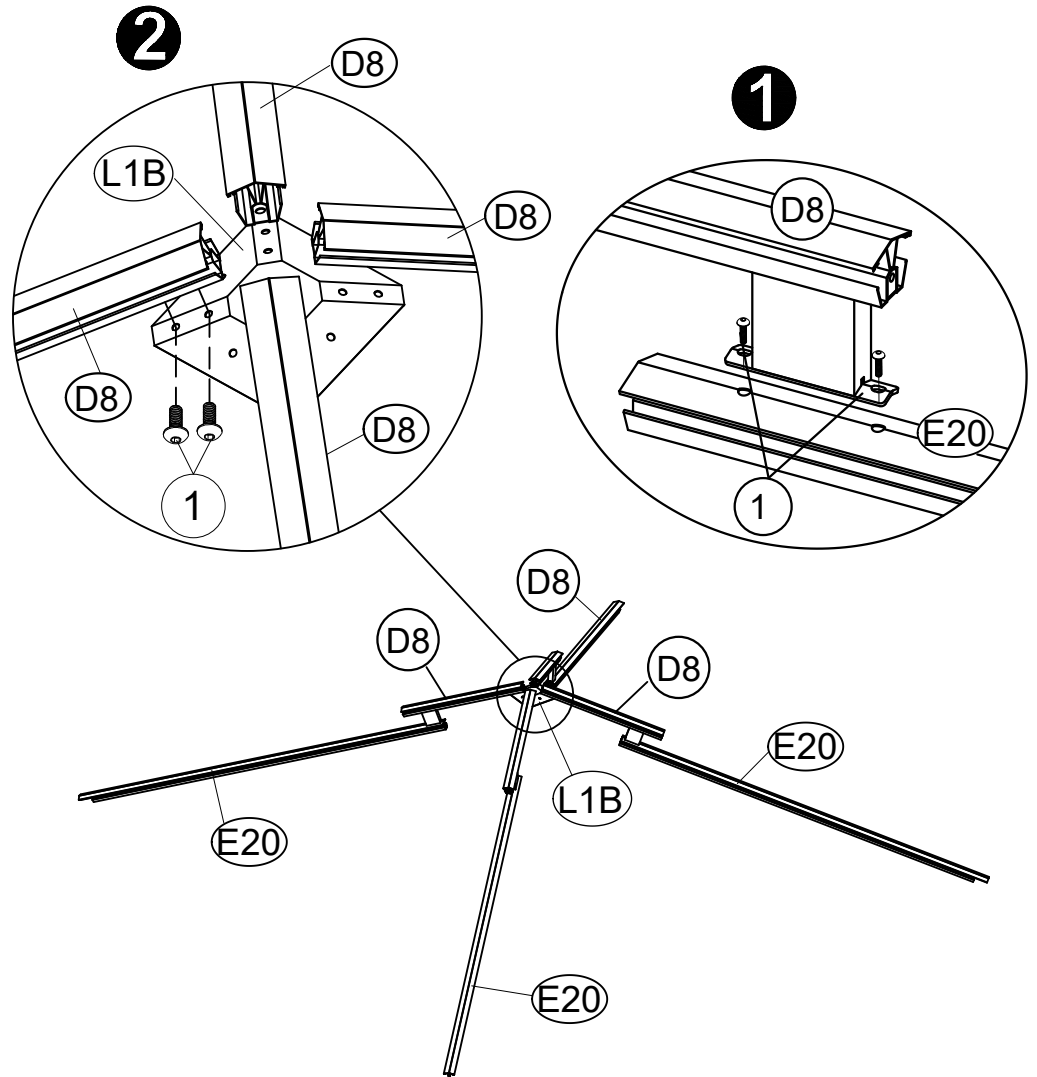
D8 4x

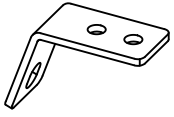


M6x15

1 16x

<6>





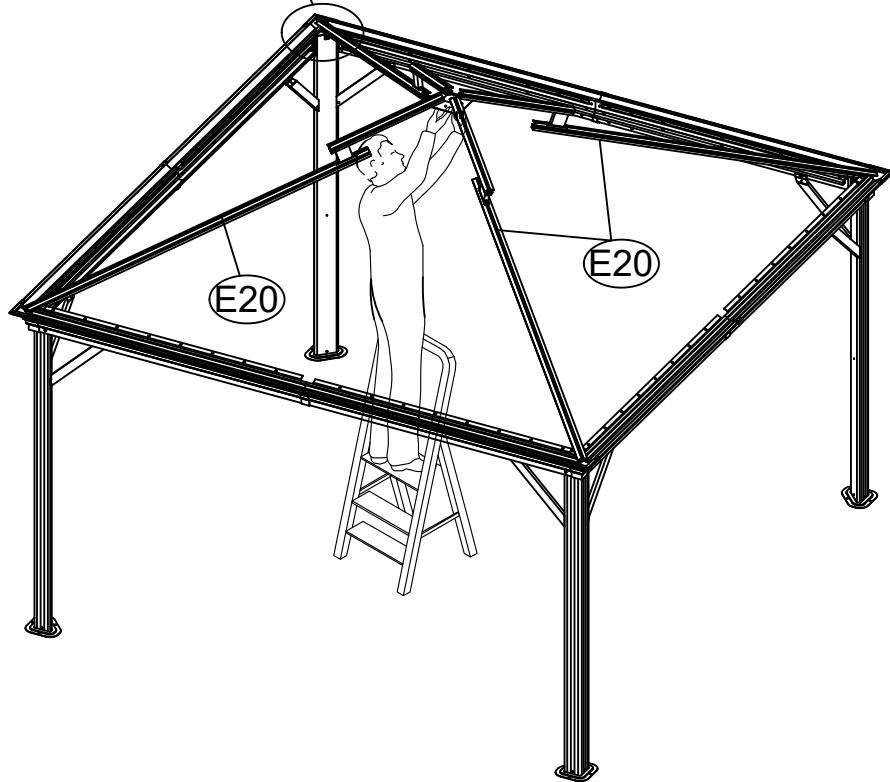
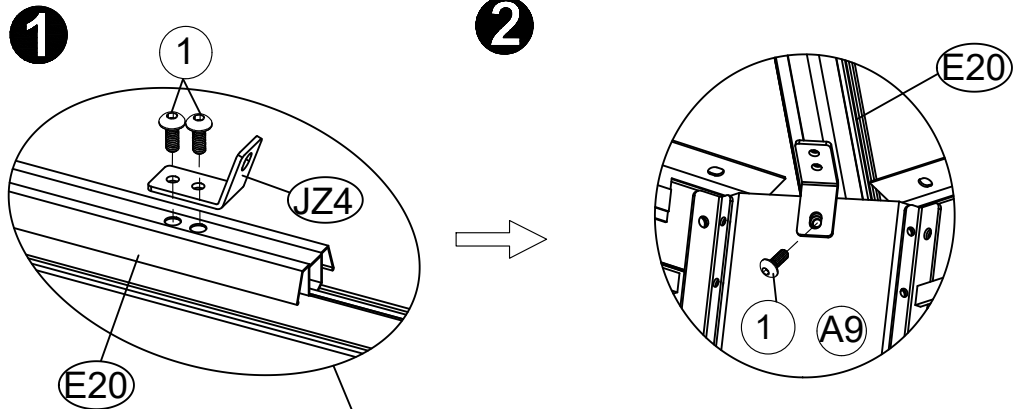
JZ4 4x



M6x15

1 12x

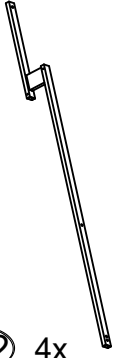
<7>



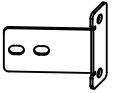
Note:

1. Let one person stand on the ladder to lift "L1B" and hold and let others fasten the screws connecting both ends of "E20".
2. Please do not let go of holding "L1B" until all the "E20" screws are installed.

<8>



JE2 4x

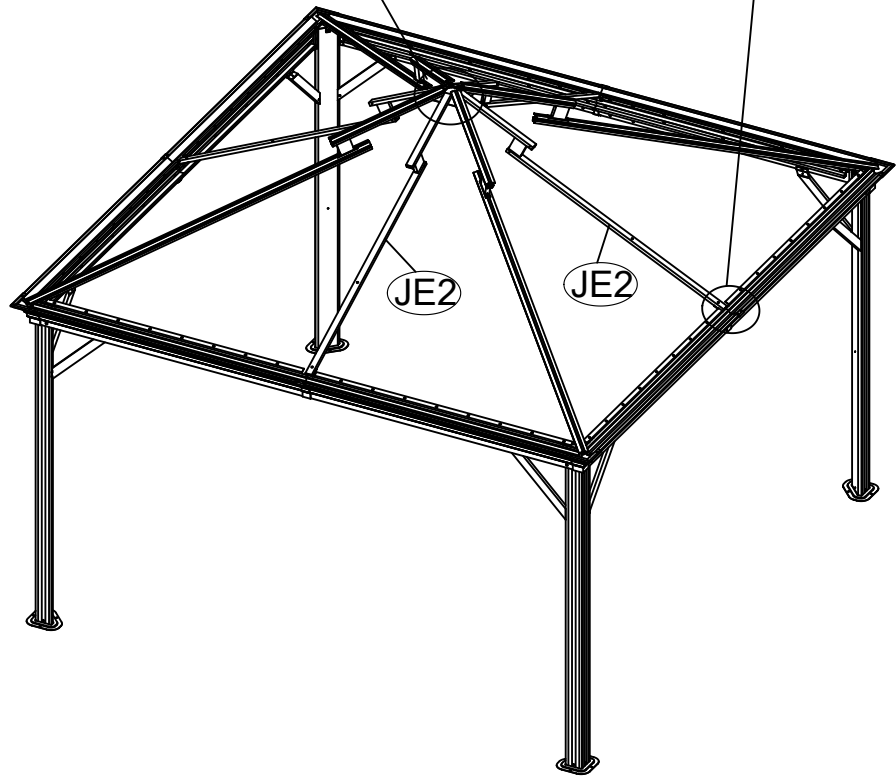
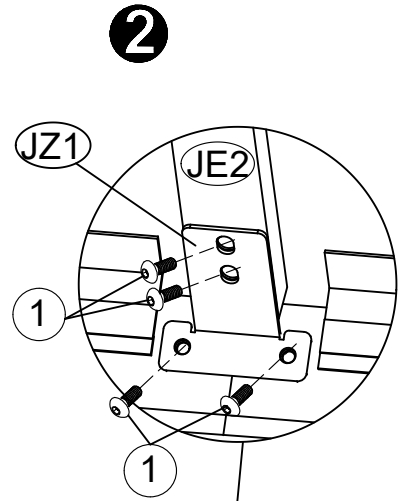
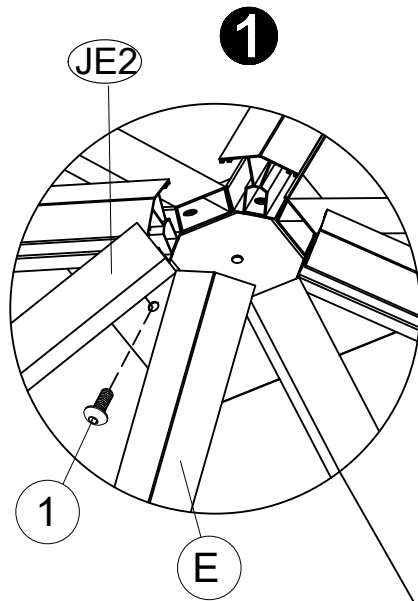


JZ1 4x



M6x15

1 20x





G1 4x



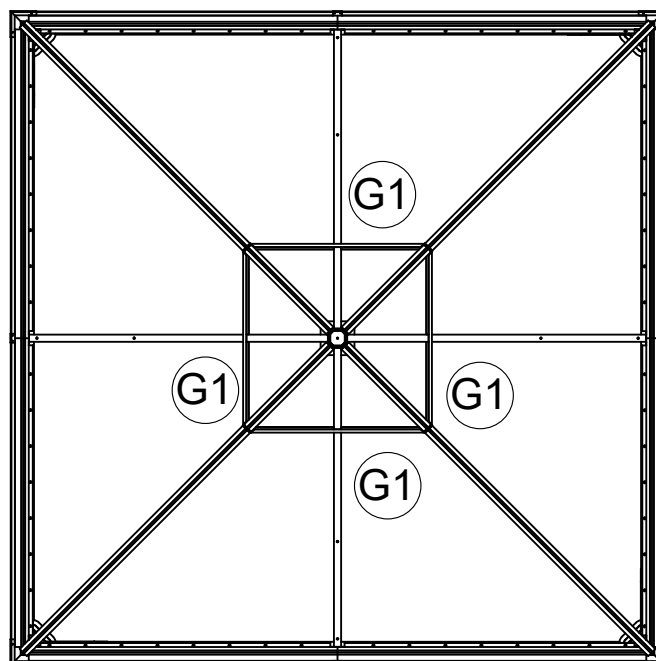
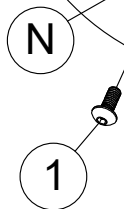
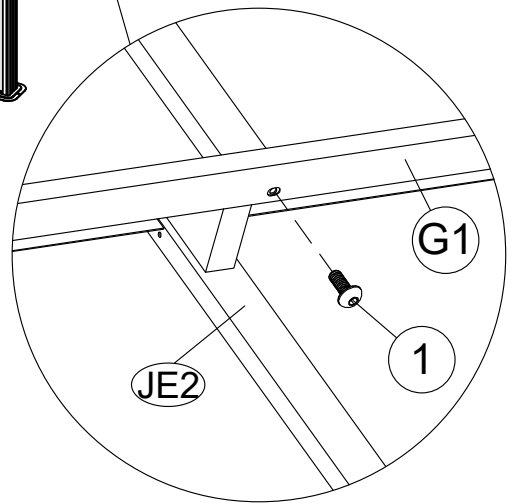
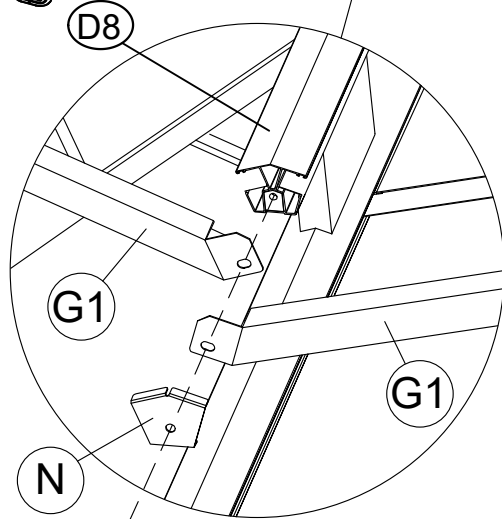
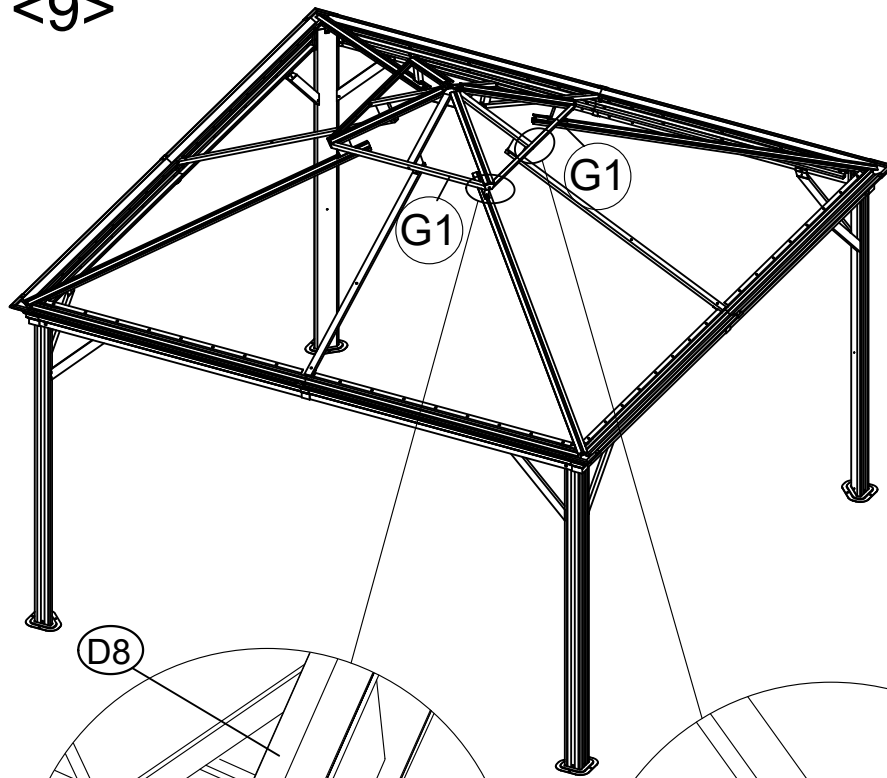
N 4x

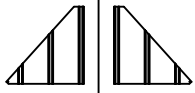


M6x15

1 8x

<9>

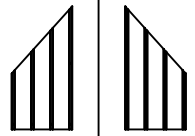




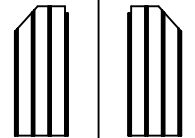
(S1) 4x (S2) 4x



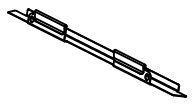
(R1) 4x (R2) 4x



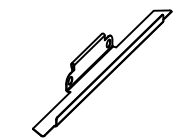
(R3) 4x (R4) 4x



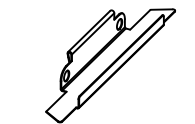
(R5) 4x (R6) 4x



(Z) 64x

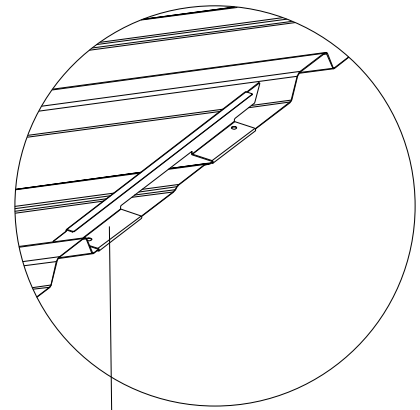
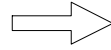
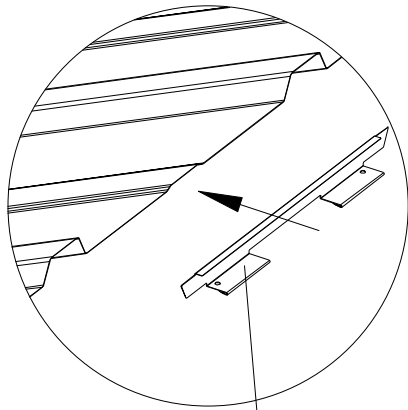


(Z1) 8x



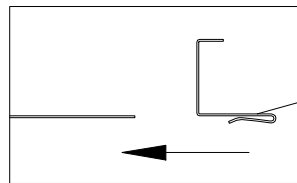
(Z2) 8x

<10>

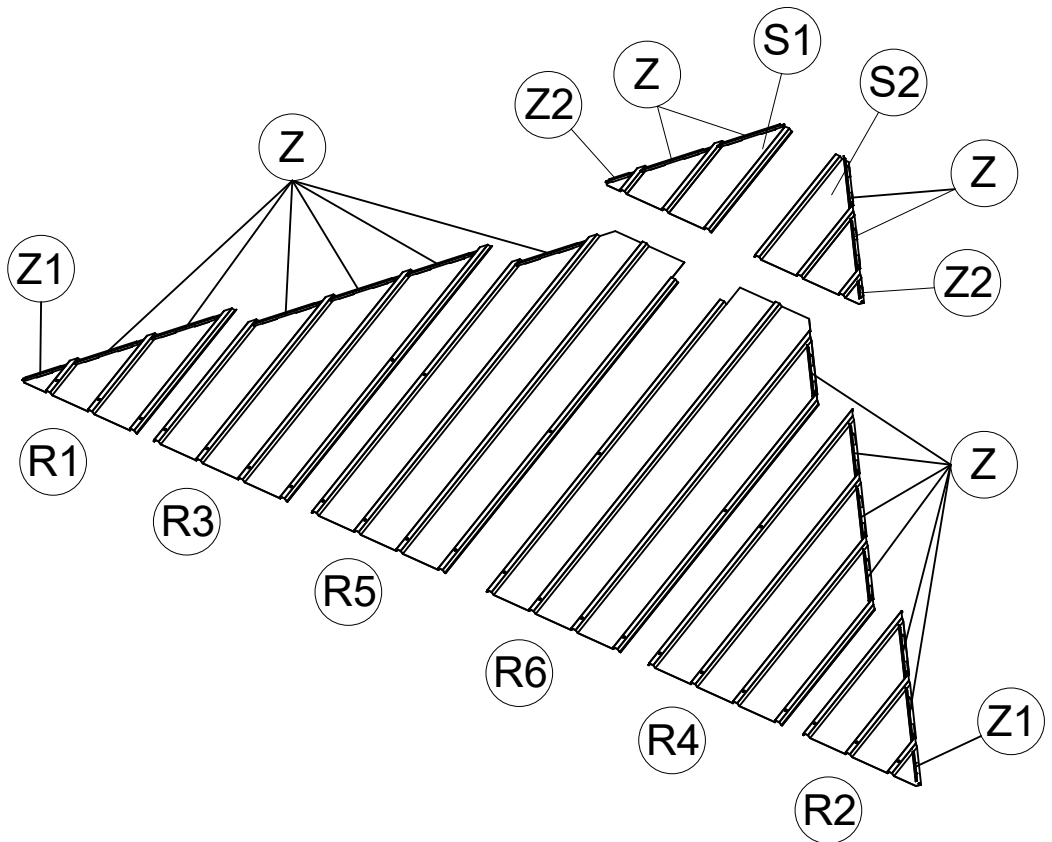


(Z) or (Z1) or (Z2)

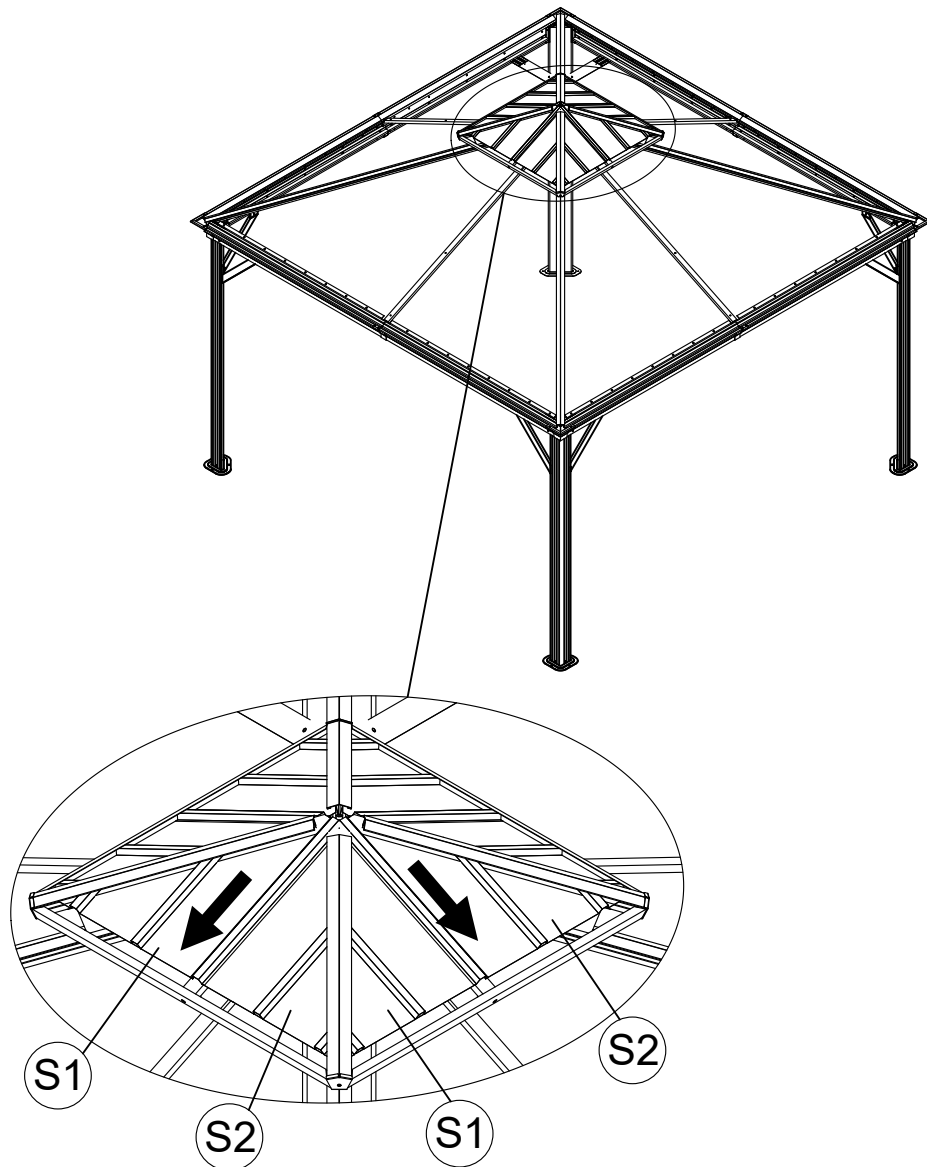
(Z) or (Z1) or (Z2)



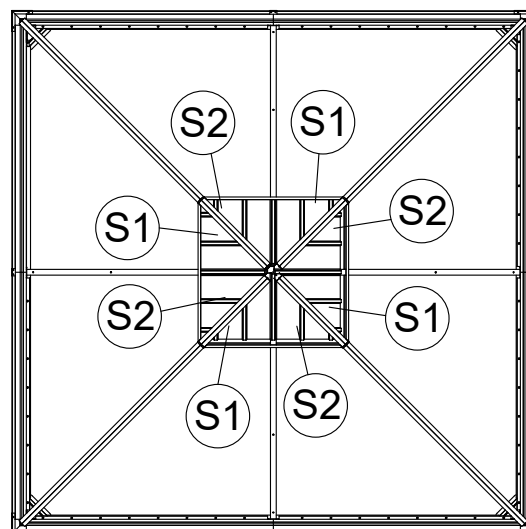
(Z) or (Z1) or (Z2)

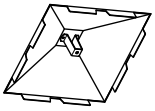


<11>



When installing the Roof plates (S2) onto short side, pls detach the right end of Roof Rib(G1) first. And then install the right end of Roof Rib (G1) again after S2 is installed.



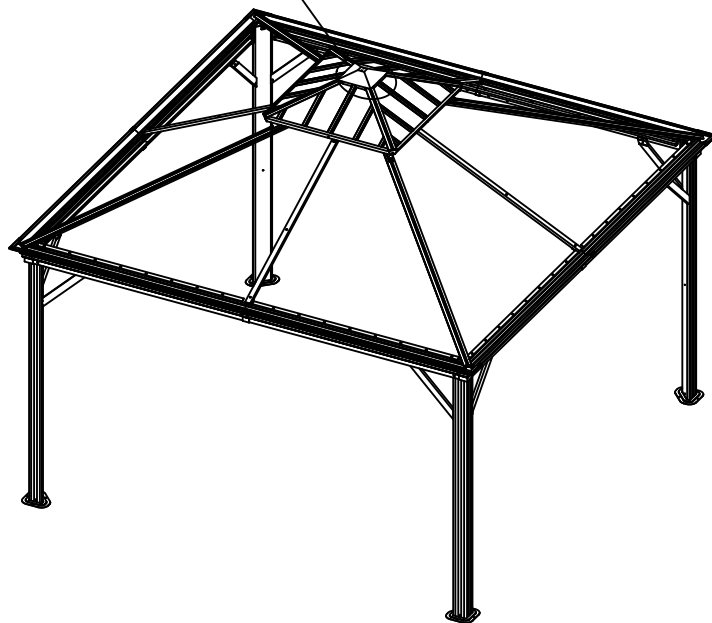
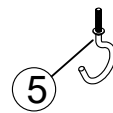
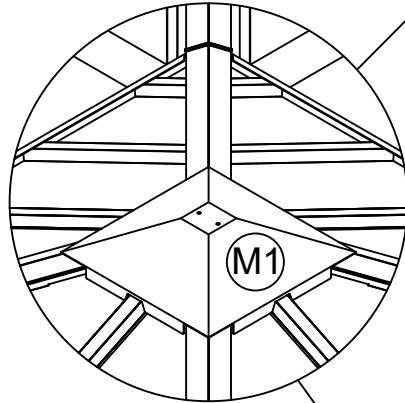
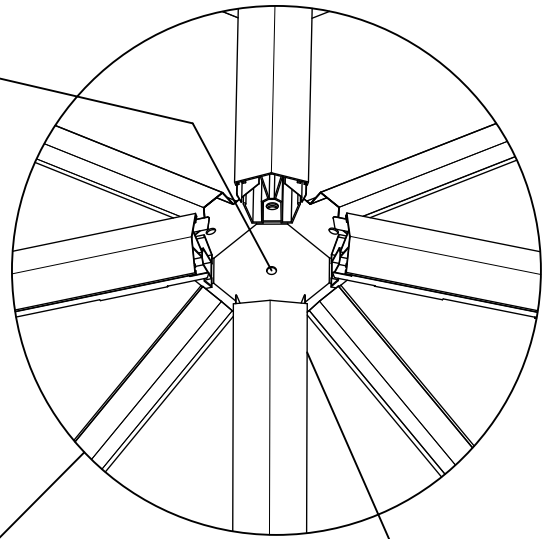
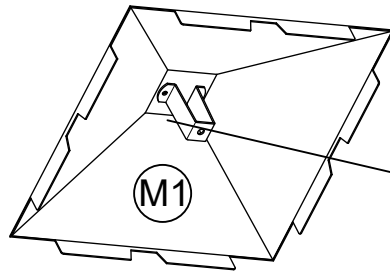


<12>

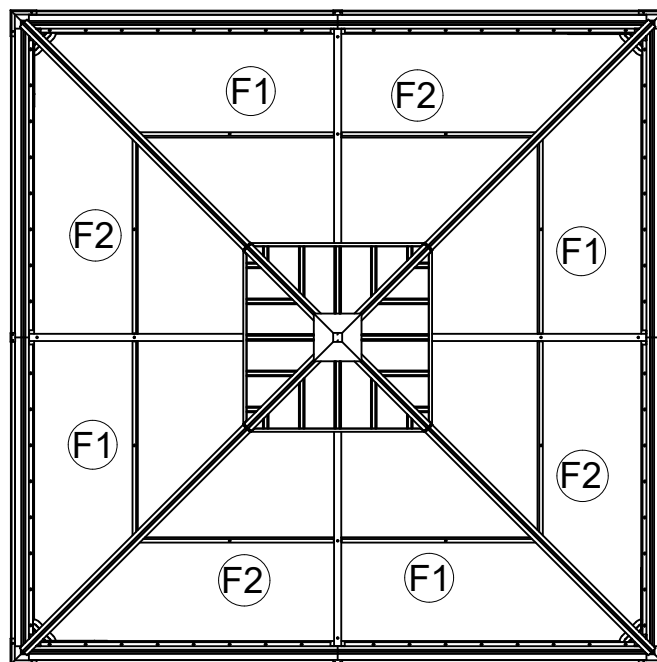
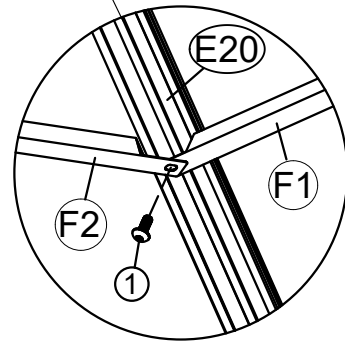
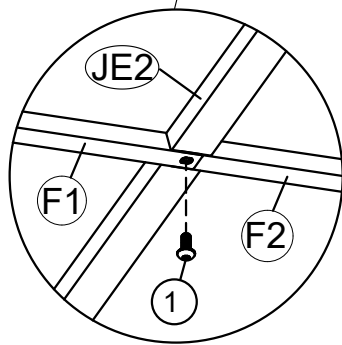
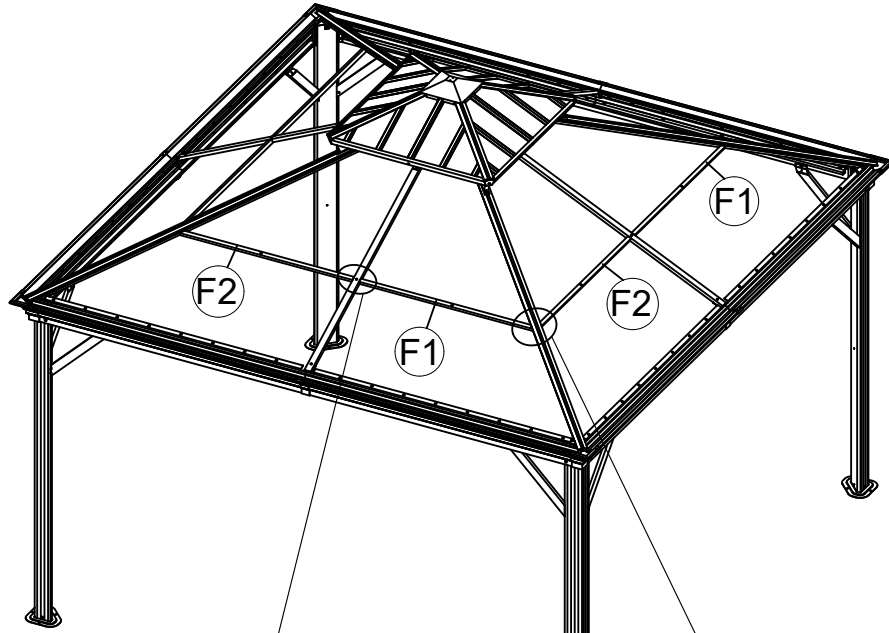
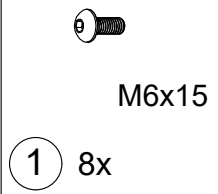
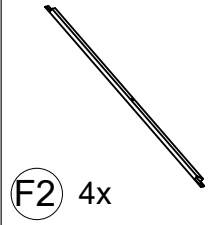
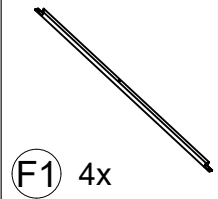
M1 1x



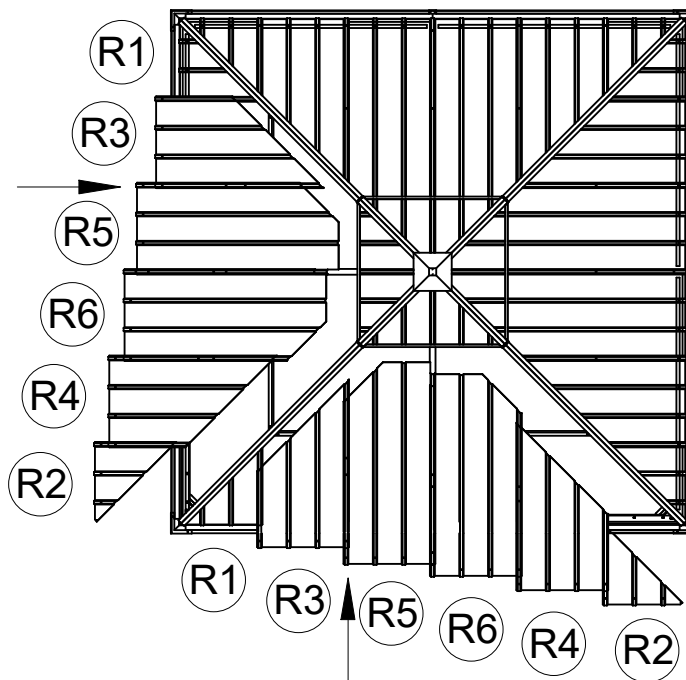
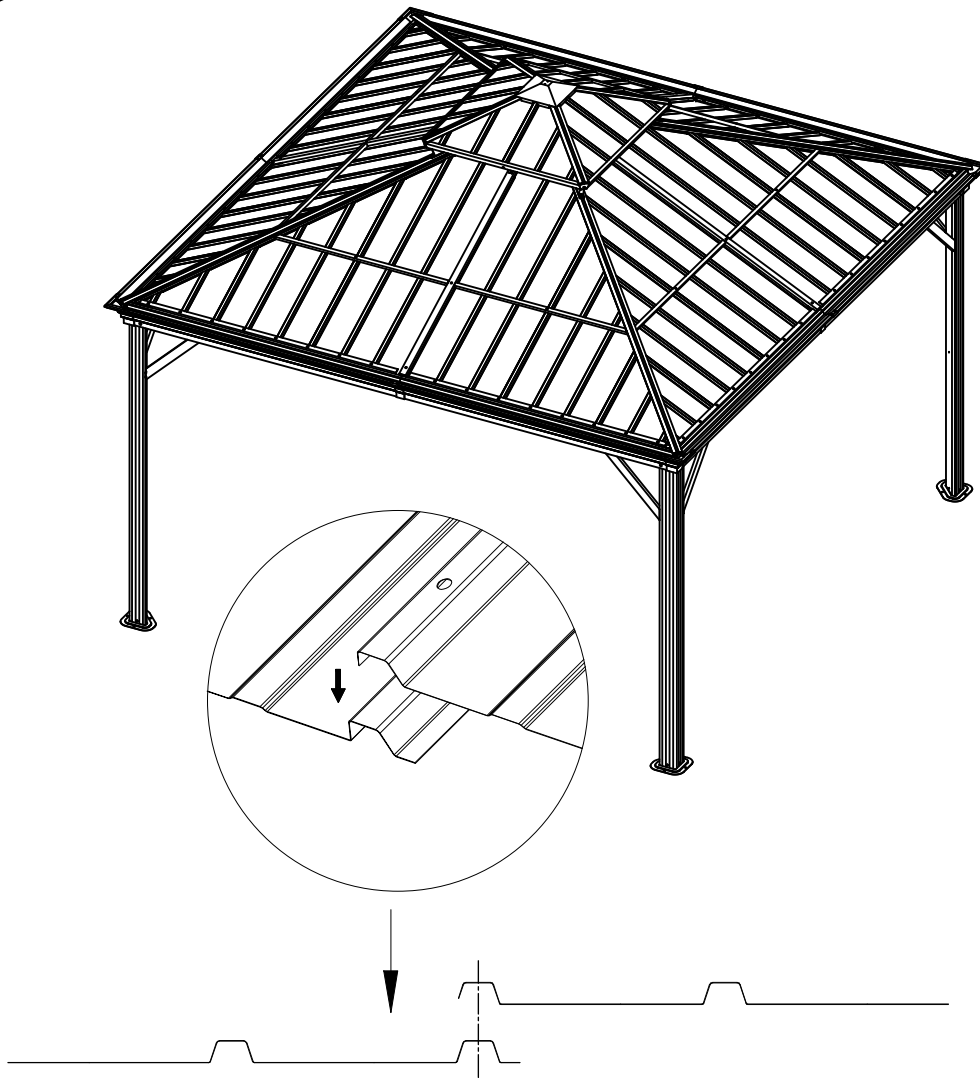
5 1x



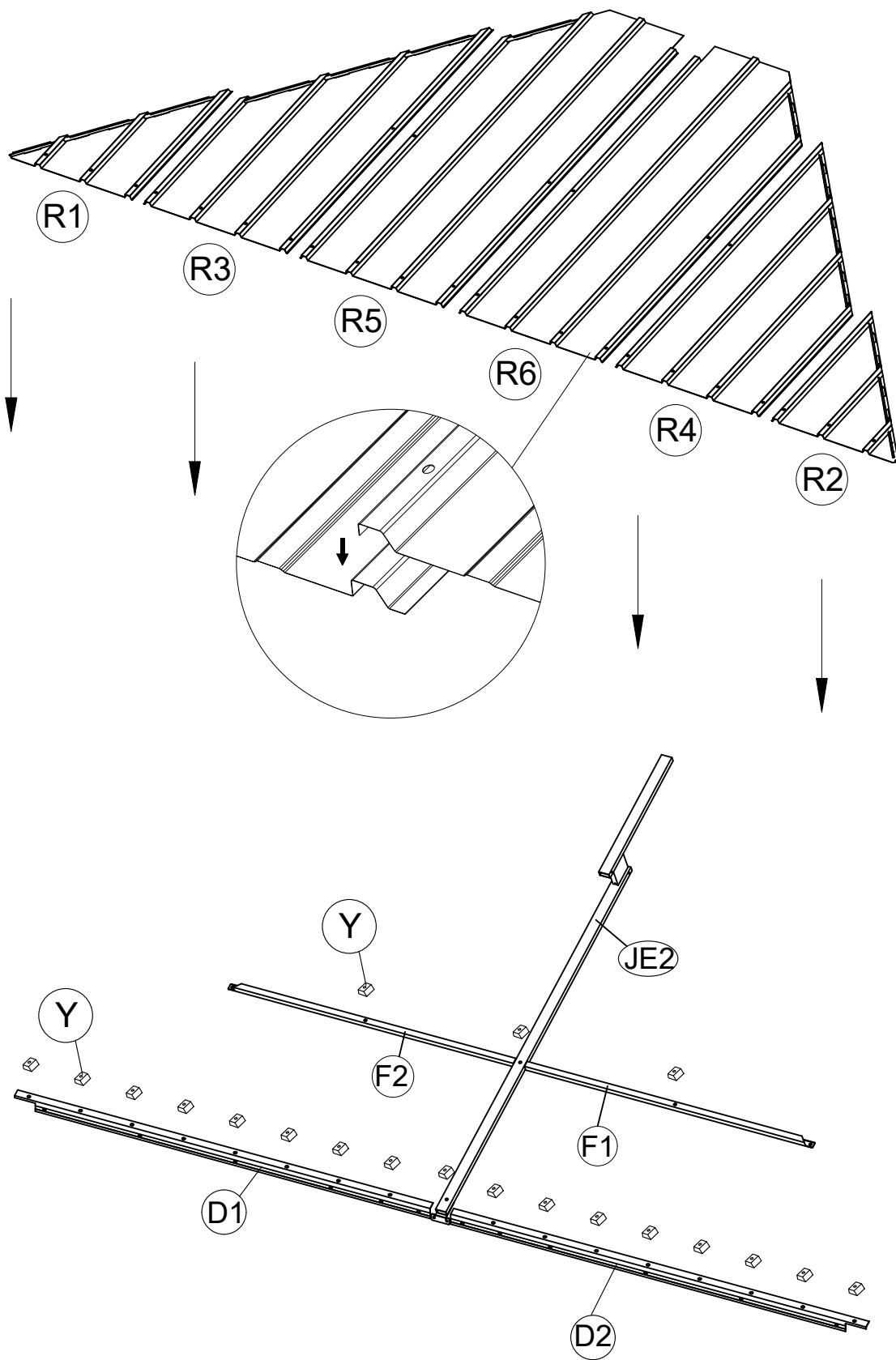
<13>



<14>



<15>





<16>

Y 80x



M6x23

2 64x



M6x25

3 4x



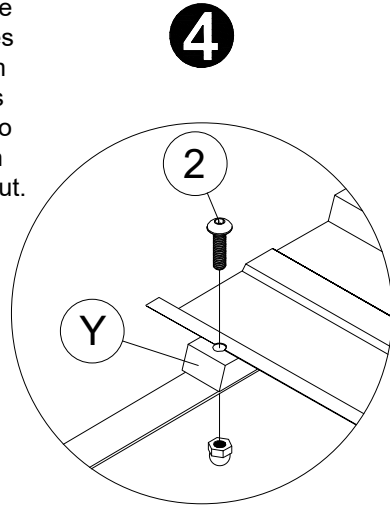
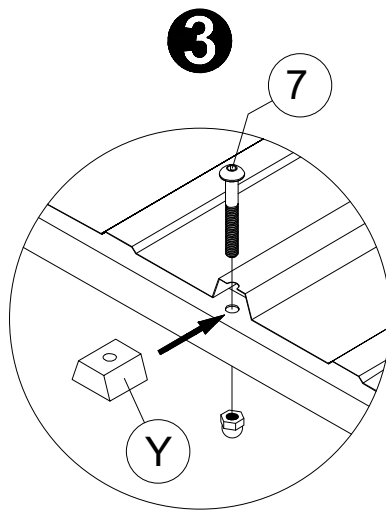
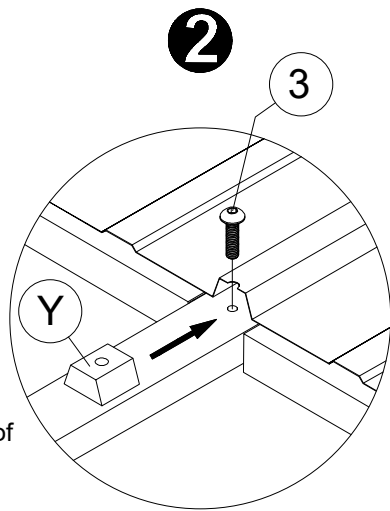
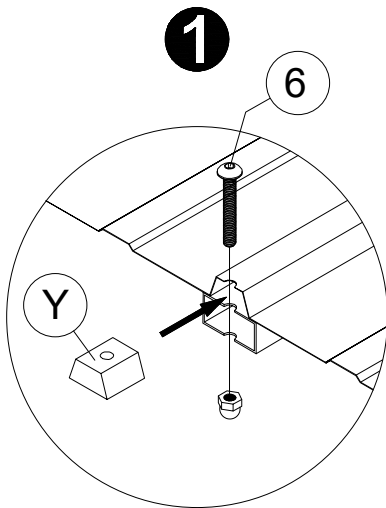
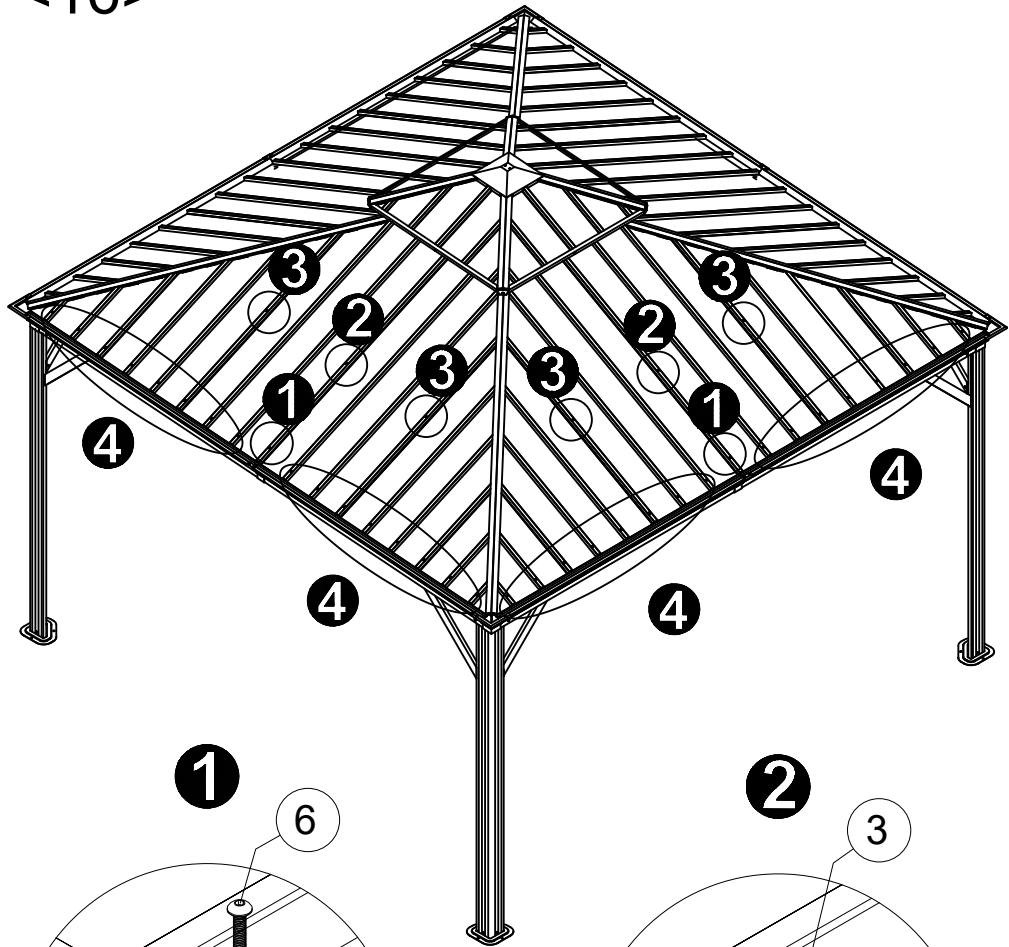
M6x42

6 4x

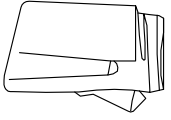


M6x45

7 8x

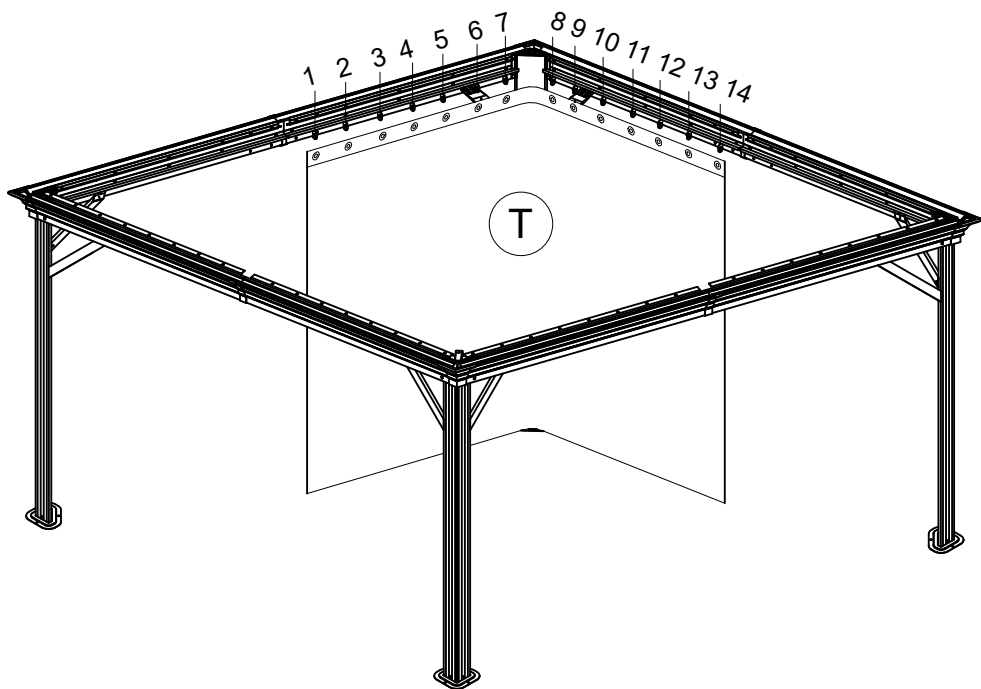
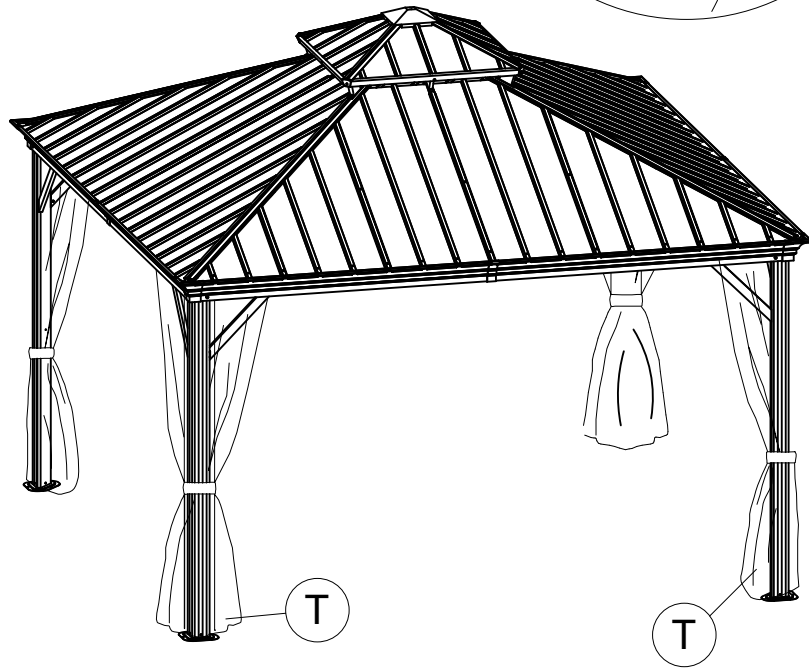
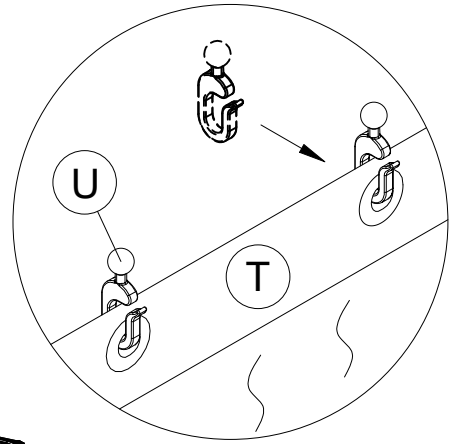
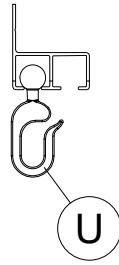


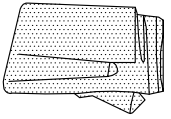
Note: When installing the roof top plates, if the roof plates are slightly uneven, pls press the screws from the top of the plates until the bottom screw thread is exposed by 3 to 4mm, and then screw on the nut.



<17>

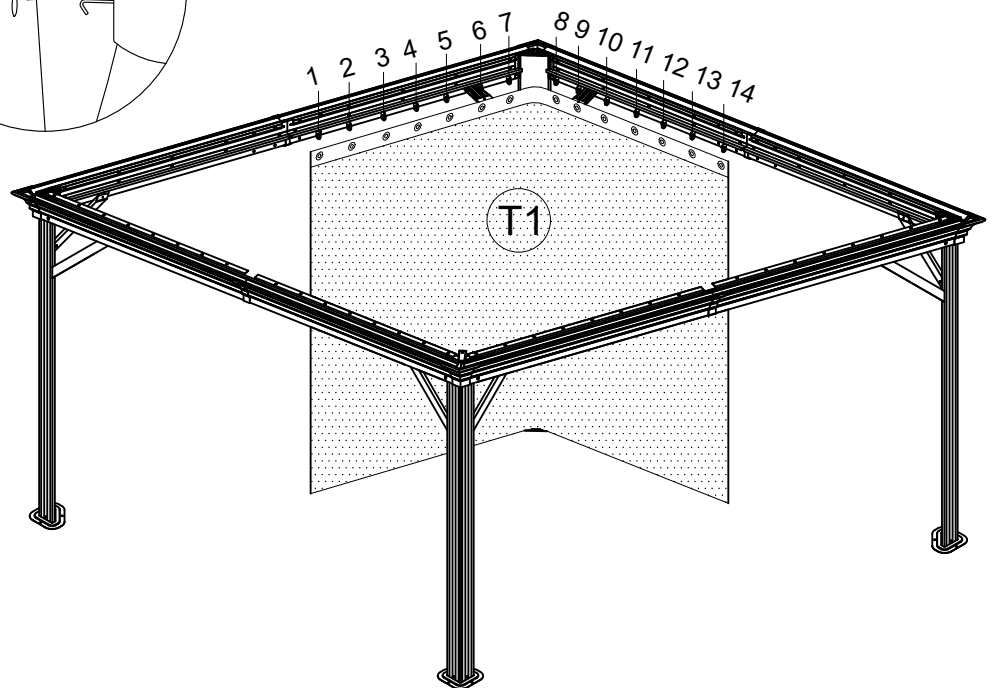
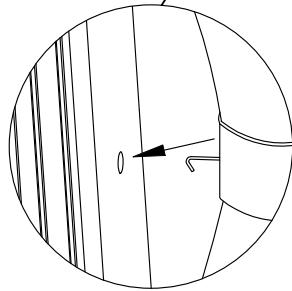
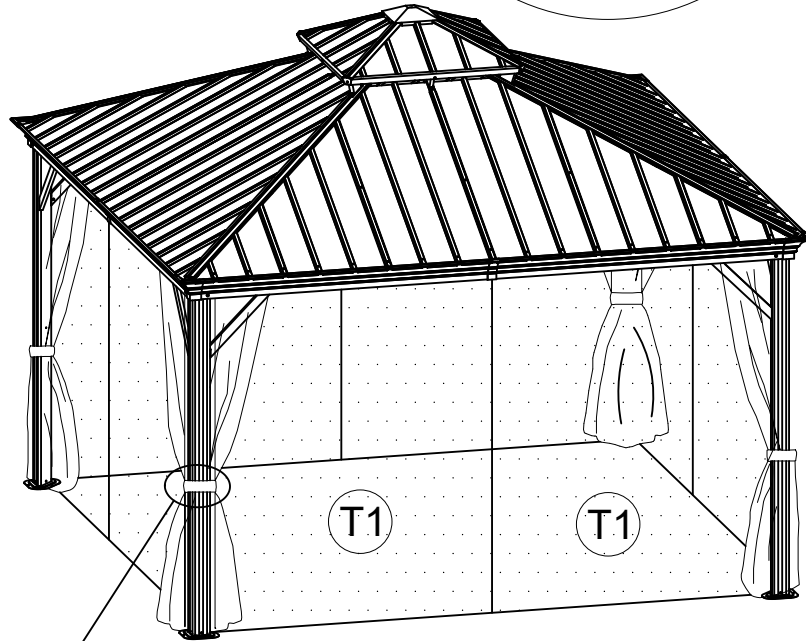
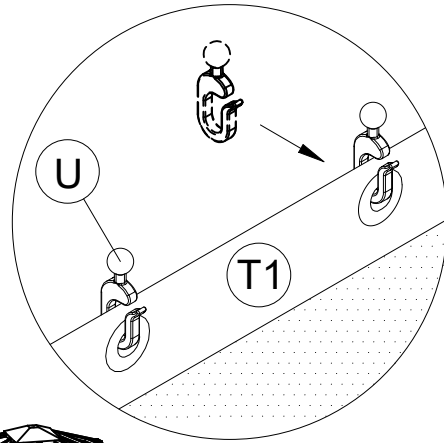
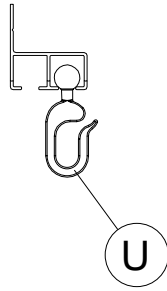
T 4x

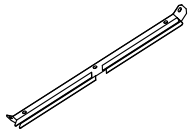




<18>

T1 4x

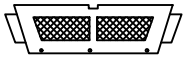




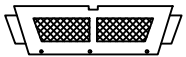
I1 4x



N 4x



V1a 2x



V1b 2x



M6x15

1 8x



M6x10

9 8x

<19>

