

ASSEMBLY INSTRUCTION

Thank you for purchasing this quality product. Be sure to check all packing material carefully for small parts which may have come loose inside the carton during shipment. Separate, identify and count all parts and hardware. Compare with the parts list to be sure all parts are present.

IMPORTANT : PLEASE READ INSTRUCTION BEFORE STARTING THE ASSEMBLY.

"DO NOT TIGHTEN SCREWS UNTIL COMPLETELY ASSEMBLED"

"DO NOT OVERTIGHT ANY HARDWARE"

WARNING : SMALL PARTS AND HARDWARE NOT FOR CHILDREN UNDER 3 YEARS. ADULT ASSEMBLY REQUIRED.

TABLE OF CONTENTS

HARDWARES LIST	PAGE 2
PARTS LIST	PAGE 3
PARTS' LOCATION	PAGE 4
ASSEMBLY STEPS	PAGE 5 - 6
ASSEMBLY COMPLETED	PAGE 7

ASSEMBLY TOOLS REQUIRED

1. Screwdriver (not provide)



2. Hammer (not provide)

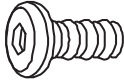

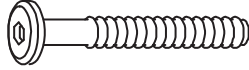







Skip the power trip this time.



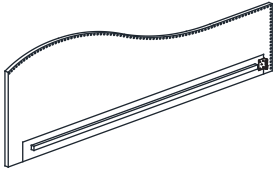
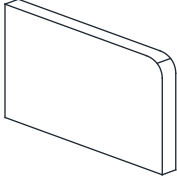
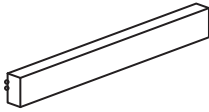
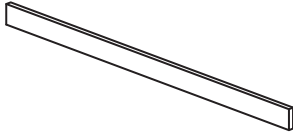
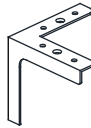
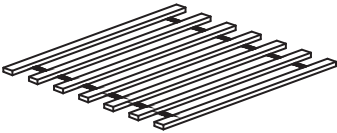
ASSEMBLY INSTRUCTION

HARDWARES LIST

ITEM	DESCRIPTION	DRAWING	QTY
A	JCBB SCREW M8 x 20MM		6 PCS
B	JCBC SCREW M6 x 15MM		12 PCS
C	JCBC SCREW M6 x 50MM		3 PCS
D	SPRING WASHER M6 x 13MM		3 PCS
E	FLAT WASHER M6 x 19MM		3 PCS
F	CSK C/B SCREW (M4 x 32MM)		8 PCS
G	M4 ALLEN KEY (100MM)		1 PC
H	M5 ALLEN KEY (65MM)		1 PC

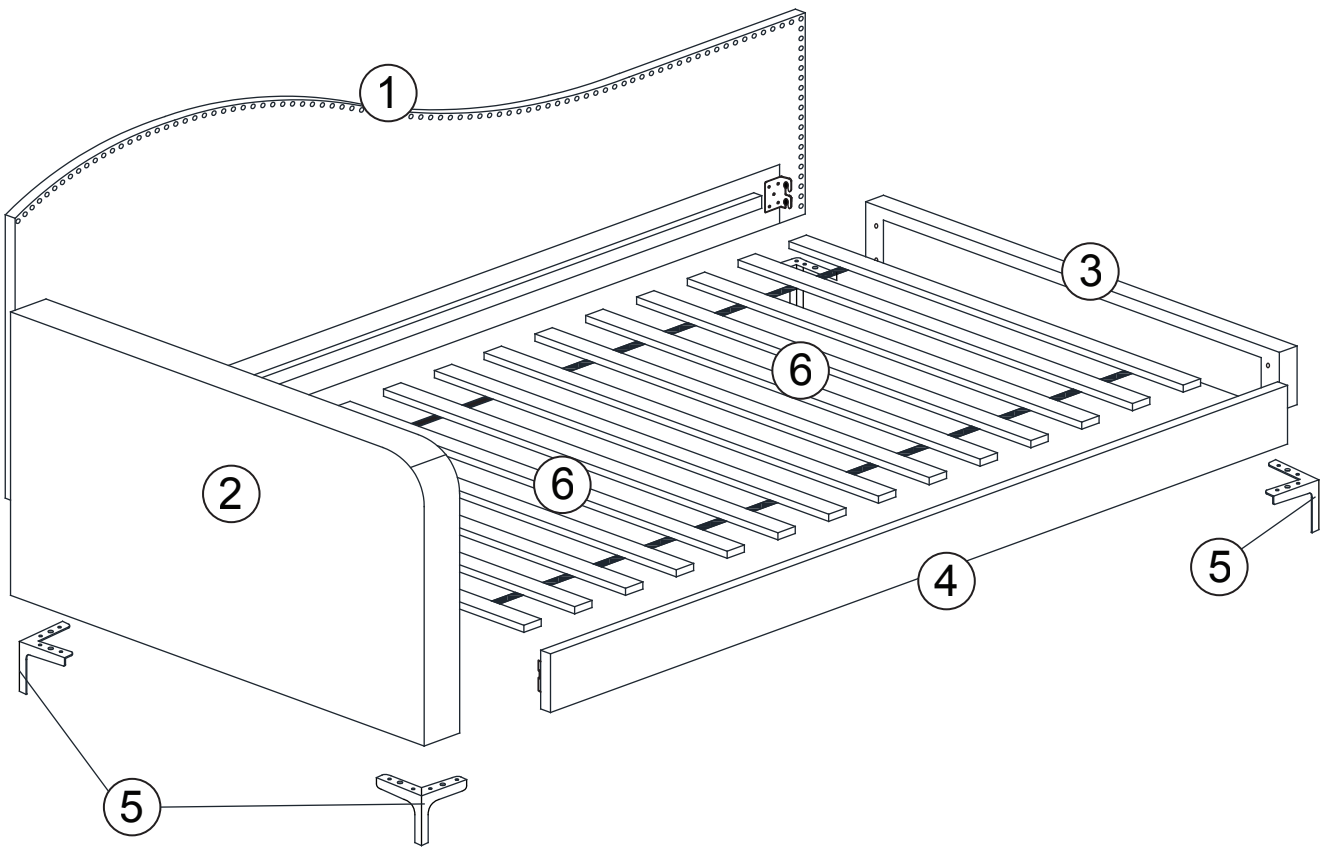
ASSEMBLY INSTRUCTION

PARTS LIST

ITEM	DESCRIPTION	DRAWING	QTY
1	BACK REST		1 PC
2	SIDE PANEL (BIG)		1 PC
3	SIDE PANEL (SMALL)		1 PC
4	FRONT SIDE RAIL		1 PC
5	LEG		4 PCS
6	SLAT		2 ROLL

ASSEMBLY INSTRUCTION

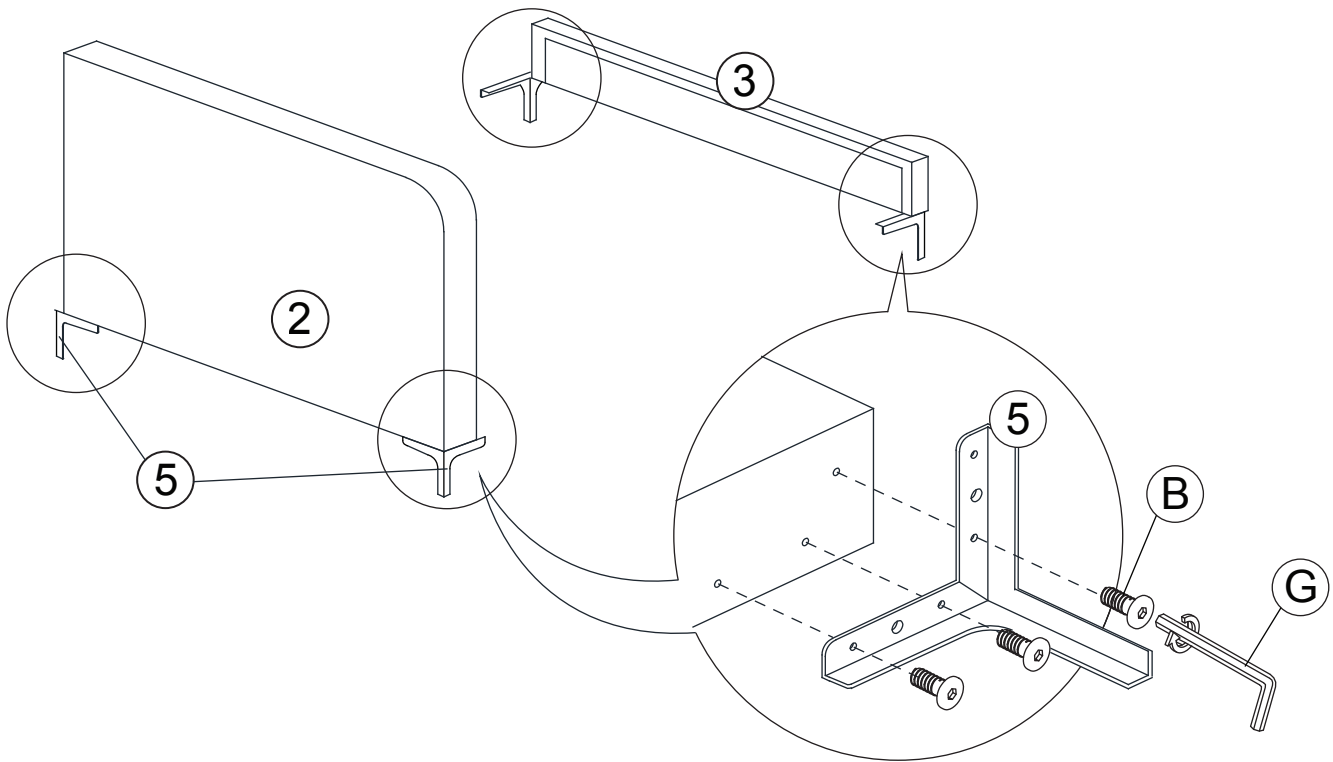
PARTS ' LOCATION



ASSEMBLY INSTRUCTION

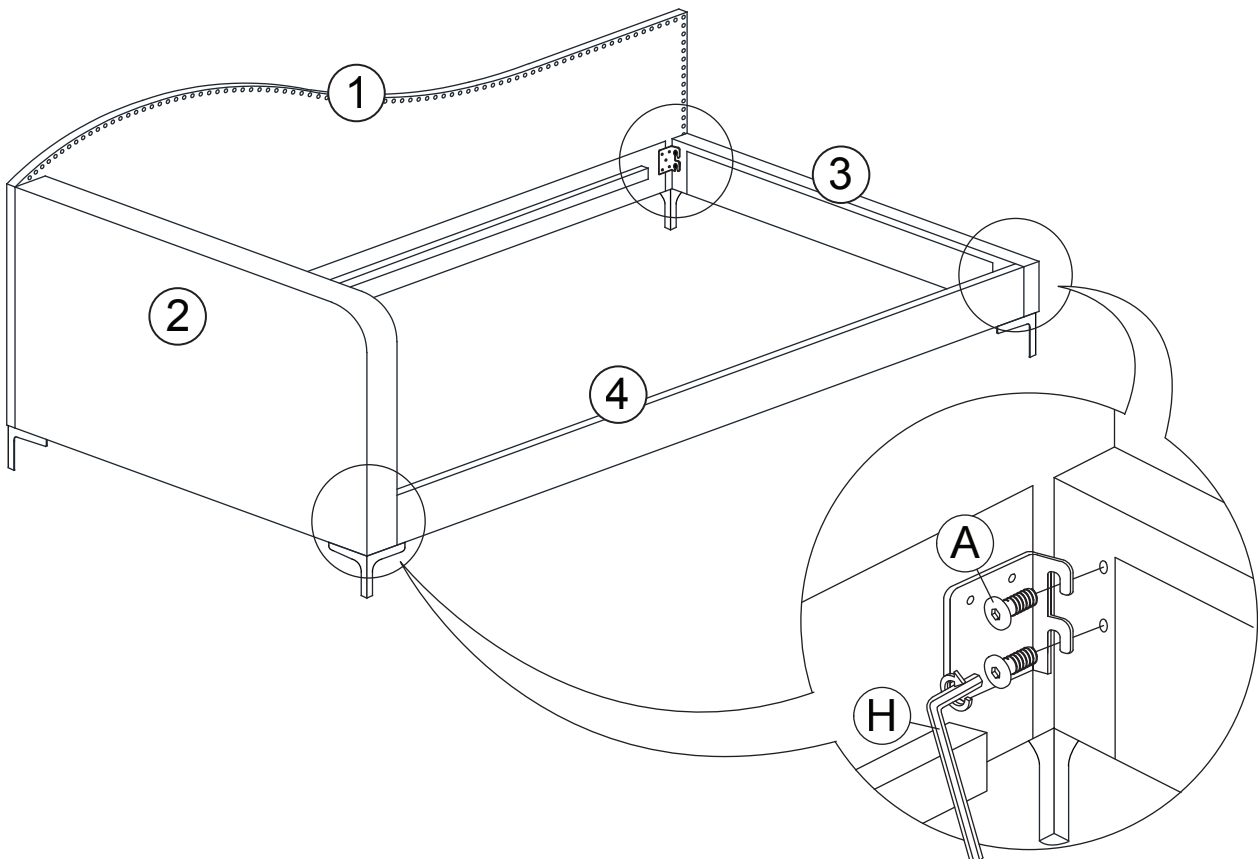
STEP 1

Insert 12pcs (B) to combine 4pcs (5) to (2) and (3) as shown.



STEP 2

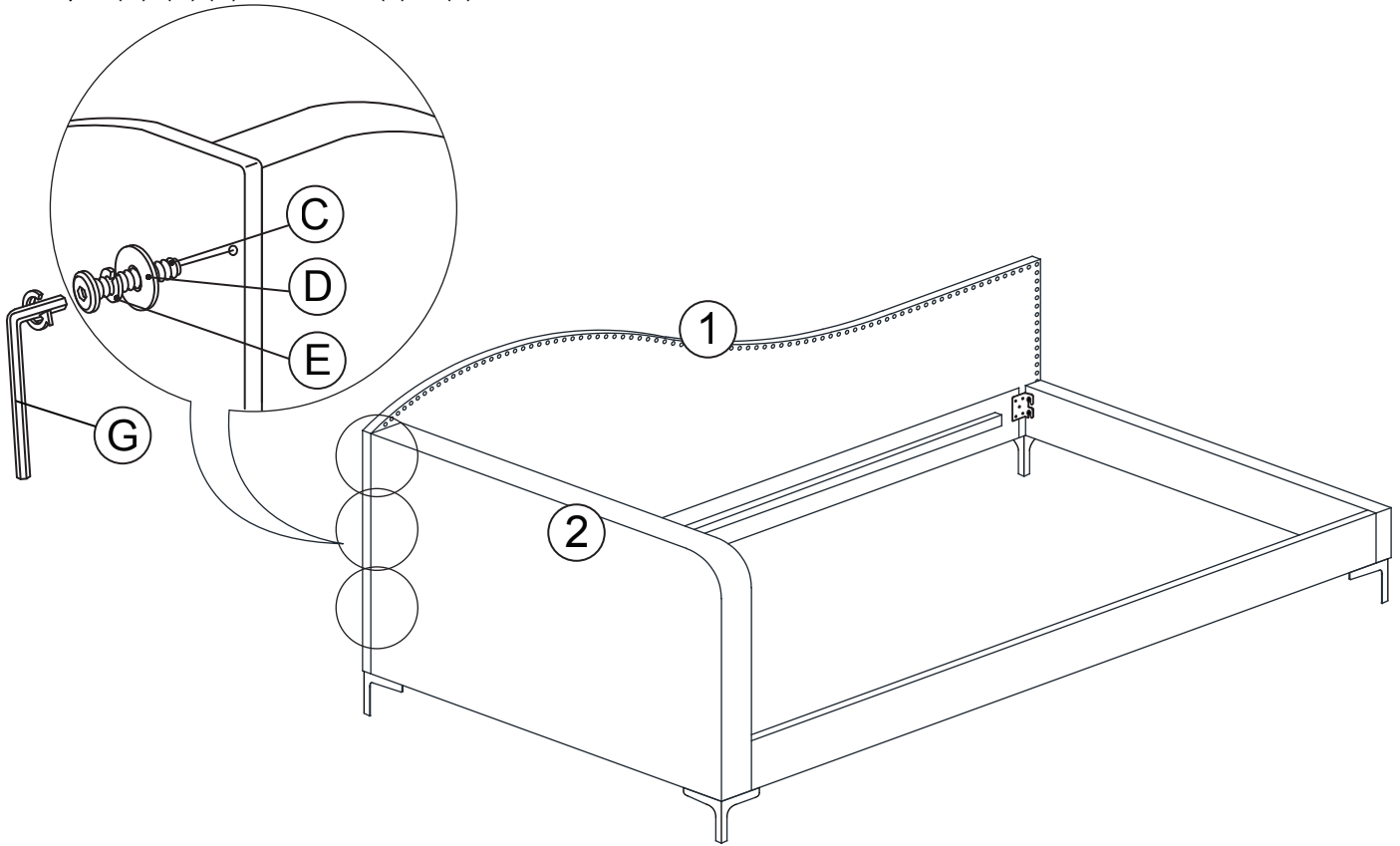
Insert 4pcs (A) to combine (4) to (2) and (3), then insert remaining 2pcs (A) to combine (1) to (3) as shown.



ASSEMBLY INSTRUCTION

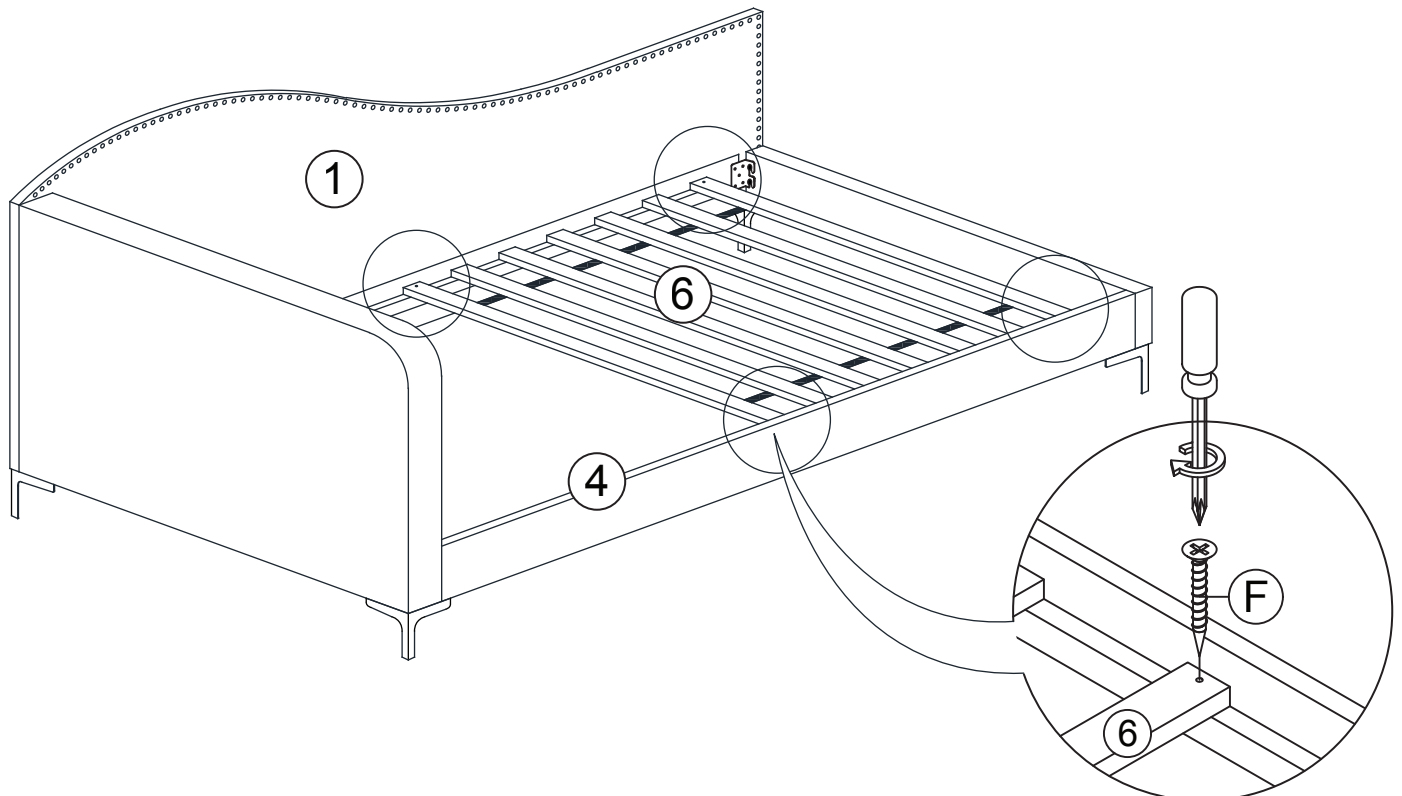
STEP 3

Insert 3pcs (C), (D),(E) to combine (1) to (2) as shown.



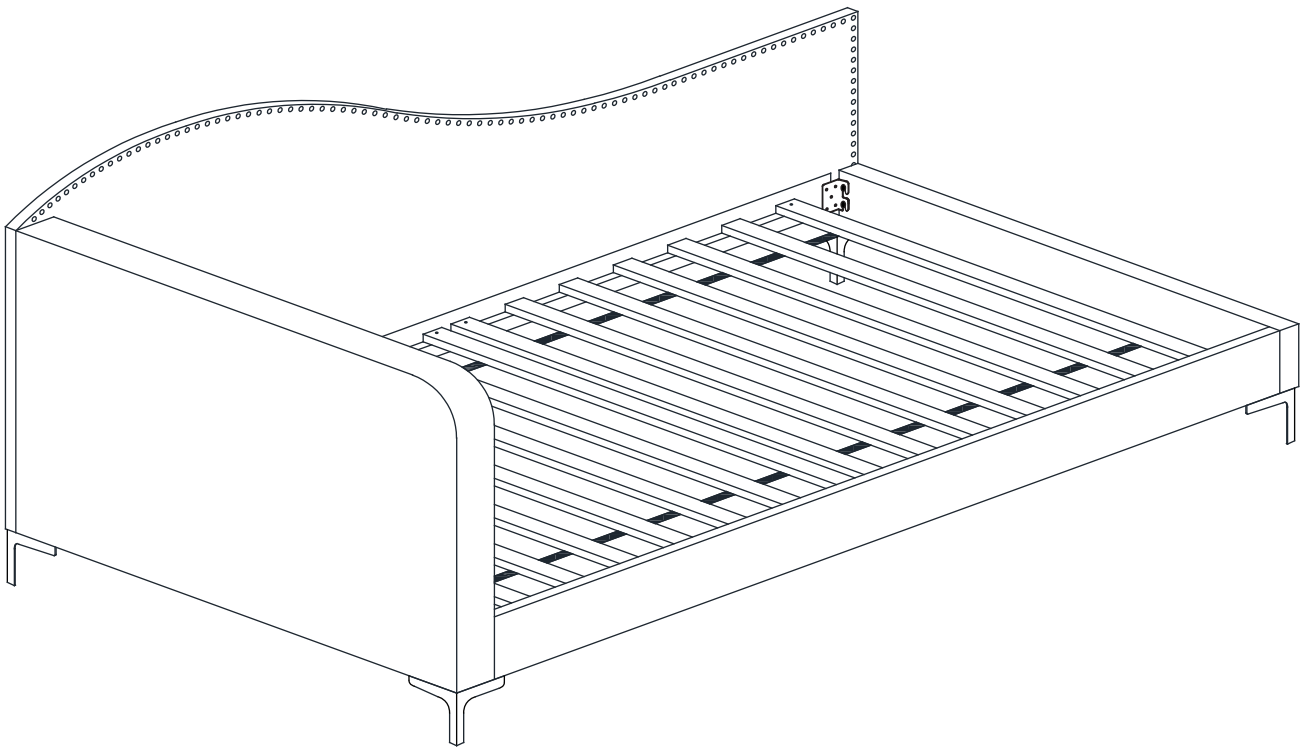
STEP 4

Put the slats to the inside of daybed, then insert 8pcs (F) to tighten the slats.



ASSEMBLY INSTRUCTION

STEP 3



ASSEMBLY COMPLETED