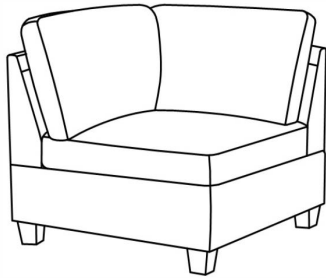
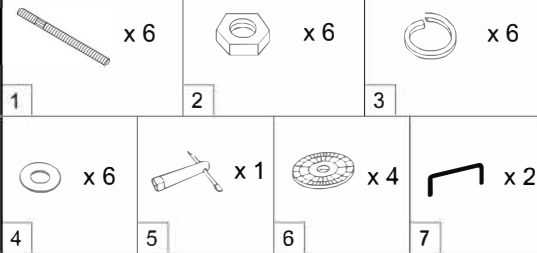
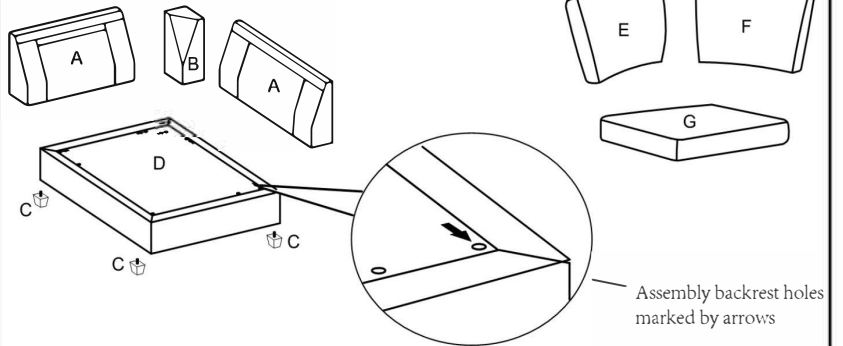


ASSEMBLY INSTRUCTIONS

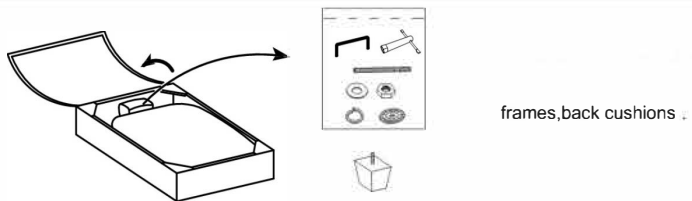
CORNER WEDGE CHAIR



PARTS LIST



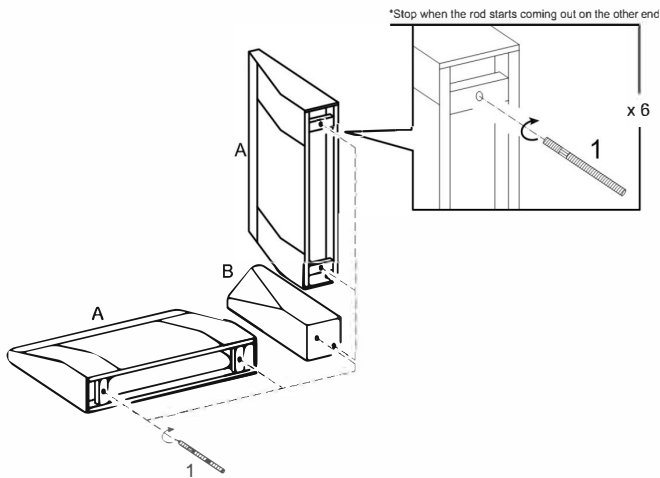
BEFORE ASSEMBLY



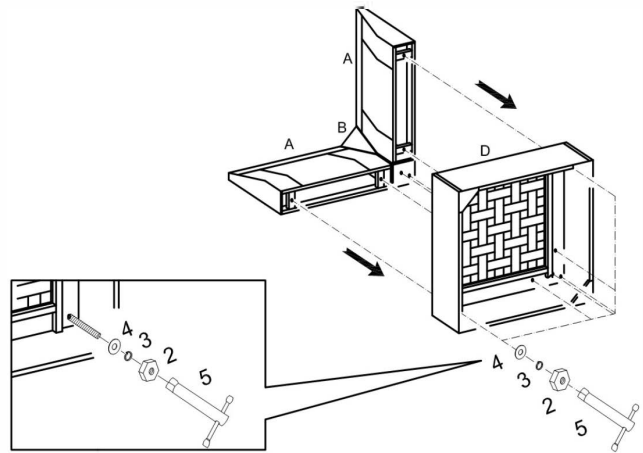
PLEASE REMOVE ALL PARTS FROM SEAT FRAMES AND BACKS BEFORE ASSEMBLY

How to assemble:

STEP 1- INSERT THREADED RODS INTO BACK



STEP 2- MOUNT BACK INTO THE SEAT FRAME



STEP 3- PUT BACK THE FABRIC COVER AND INSERT LEGS

