

WALL-MOUNT FAUCET INSTALLATION

BEFORE YOU BEGIN

We recommend consulting a professional if you are unfamiliar with installing bathroom fixtures and plumbing.

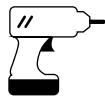
For the following installation instructions, it is assumed that any old fixture has been removed and the main water supply is prepared for faucet installation.

Unpack and inspect the item for damage. If any damage is found, contact our Customer Relations team.

TOOLS AND MATERIALS:



Plumber's Tape



Drill



Thread Sealant



Tape Measure



Level



Hex Wrench



Flathead
Screwdriver



Pipe Clamps

GETTING STARTED

- Ensure that you have gathered all of the required materials that are needed for the installation.
- Shut off the main water supply where the new faucet is being installed.

PLANNING

Use the faucet's PDF specification sheet as a reference when planning your installation.

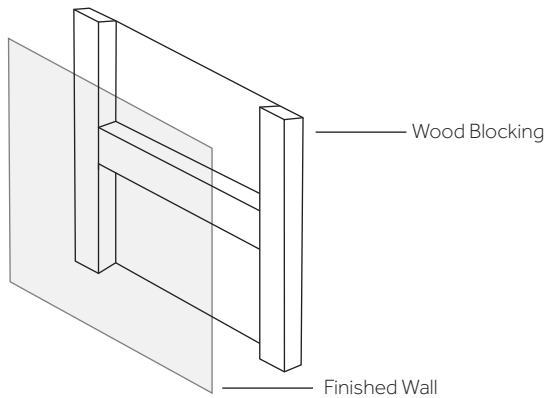
Because the faucet specification measurements are approximate and slight variations may occur, we highly recommend performing any rough-in procedures with the faucet on site.

WALL-MOUNT FAUCET INSTALLATION

INSTALLATION

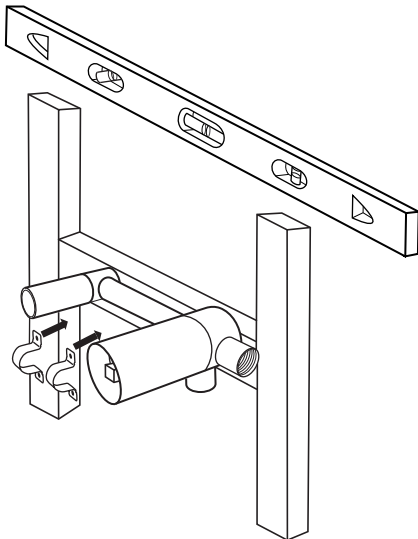
1. Prepare for installation by installing wood blocking between the two studs where the faucet will mount.

Important: Take into consideration the thickness of your finished wall materials, such as tile, when calculating measurements.

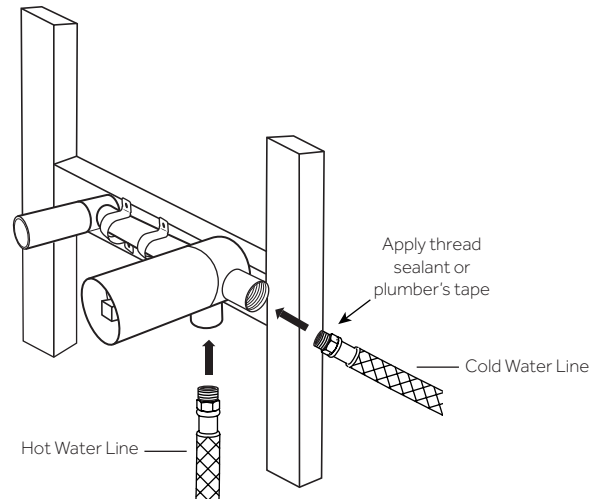


2. Mount the valve body in its prepared location. Attach the valve body to the wood blocking using pipe clamps. Use a level to ensure that the valve is mounted straight.

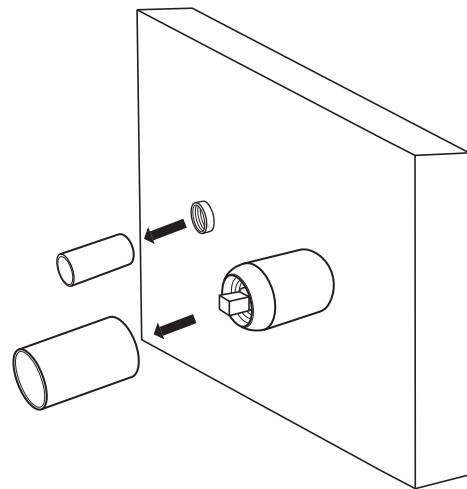
Important: Leave the protective plastic sleeves on the valve until your finished wall is completed.



3. Attach your existing water lines to the valve body. Apply thread sealant or plumber's tape to the threaded connection to ensure a watertight seal.

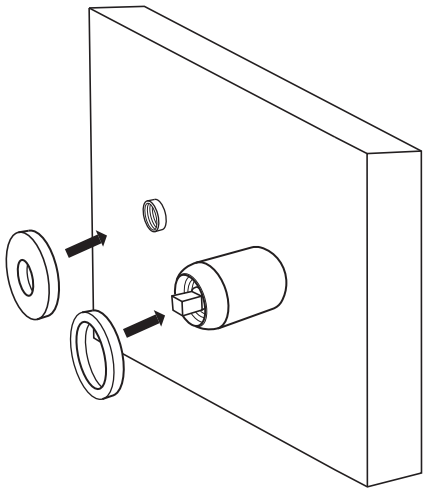


4. Once your finished wall has been completed, remove the protective plastic sleeves from the valve body.

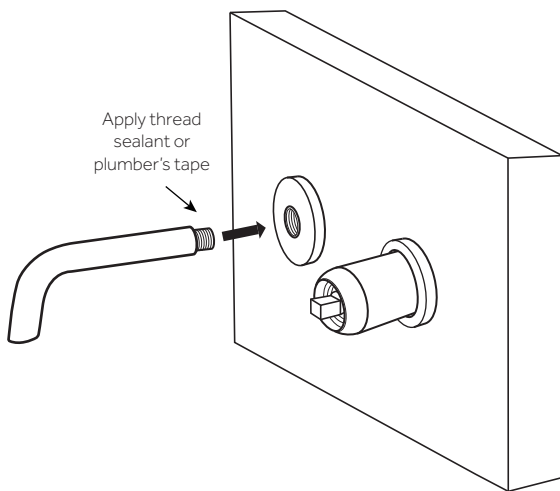


WALL-MOUNT FAUCET INSTALLATION

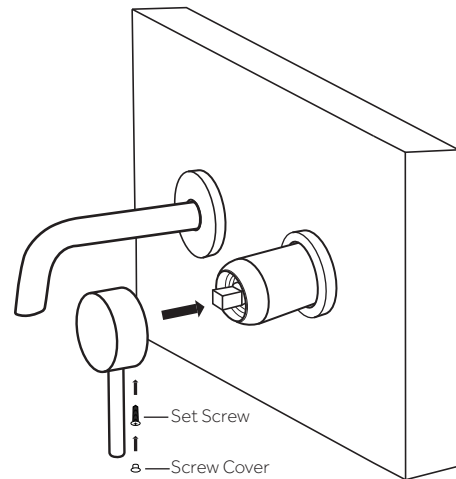
5. Slide the decorative escutcheons onto the installed valve body, as shown.



6. Attach the spout to the valve by threading it into its outlet, as shown. Apply plumber's tape or a small amount of thread sealant to the threads before attaching.



7. Attach the lever handle by sliding it onto the valve stem. Remove the screw cover located on the bottom of the handle, and tighten the set screw to secure. Reinsert the screw cover.



8. Once installation is complete, turn on the main water supply. Use the provided tool to remove the aerator from the spout. Turn the water on to allow any dust or loose sediment to clear the system. Allow the water to flow through the spout for approximately 60 seconds, and verify that hot and cold water are running properly. Reattach the aerator once testing is complete.

