
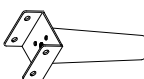





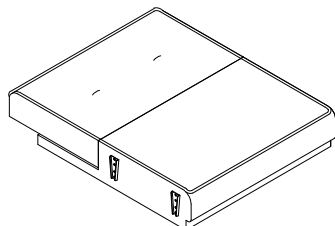
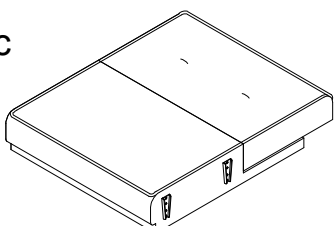
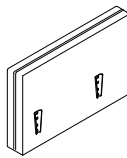
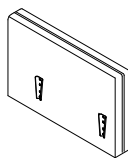

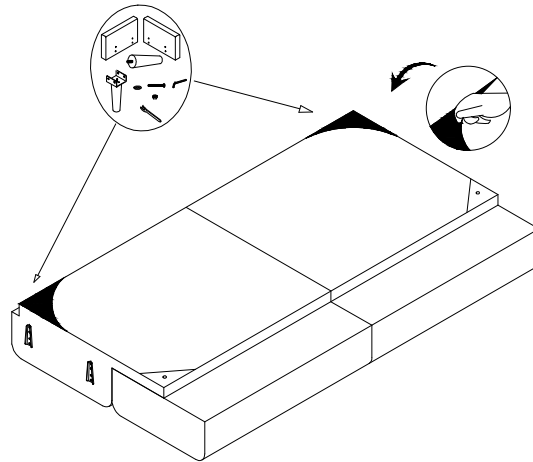


WARNING

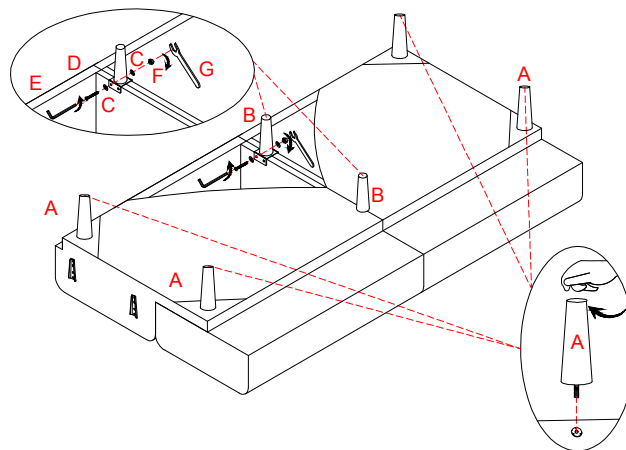
- Inspect the sofa bed before each use ,make sure all components and parts are correctly and securely positioned
- Do not use it if any worn,defective,or missing parts.
- Do not sudden sitting or bouncing on the sofa bed.
- Do not jump onto or off the sofa bed.
- Do not use the sofa bed unless placed at a stable position.
- When you clean the sofa bed,Please use a fabric cleaner.
- Suggested tools:electronic screwdriver.

Components/QTY		Components/QTY		Components/QTY	
Legs (A) 	4	Legs (B) 	2	5/16 Washer (C) 	8
5/16 Scraw (D) 	4	5/16 Tool (E) 	1	5/16 Nuts (A) 	4
5/16 Tool (G) 	1				
1 Left Base 1pc 			2 Right Base 1pc 		
3 Left Arm 1pc 		4 Right Arm 1pc 		5 pillows 2pcs 	

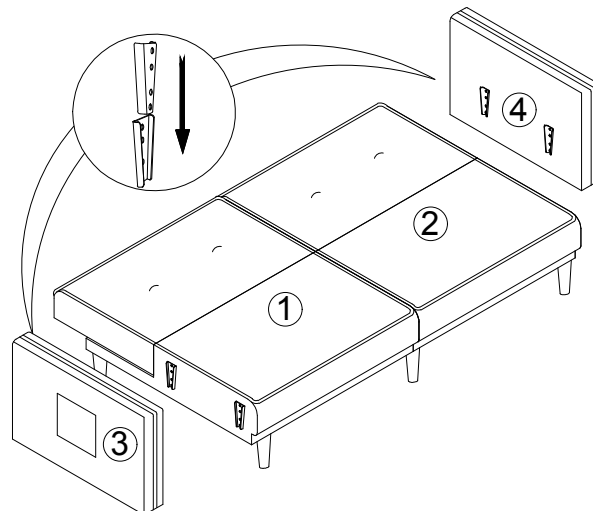
1. Open the zipper under the sofa and take out the legs and hardwares



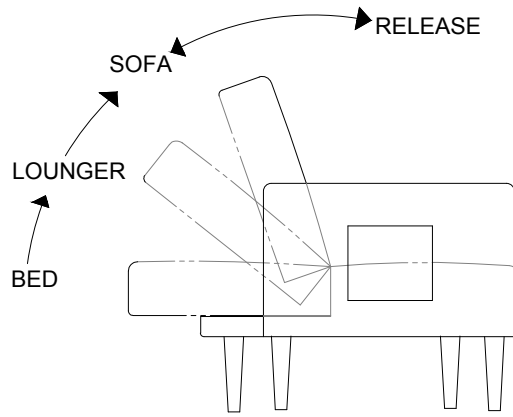
2. Clockwise rotation of sofa legs



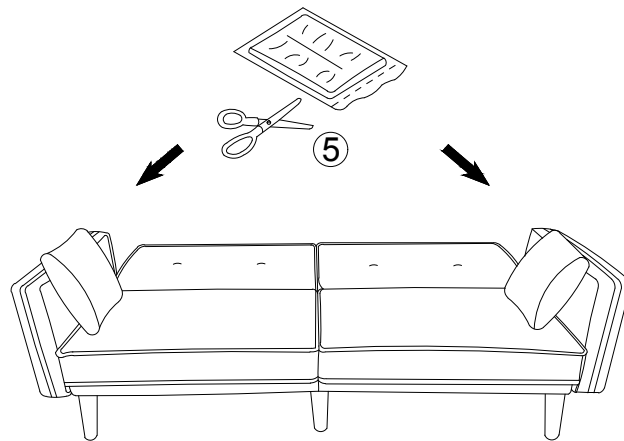
3. Overlap



4. Turn over the parallel frames to reflect the functions of different gears and sofas



5. The waist pillow is on the sofa



6. sofa

