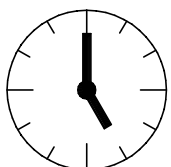
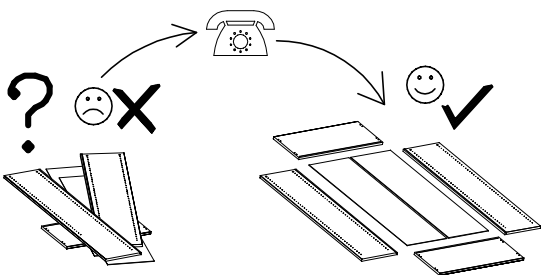
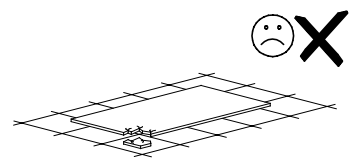
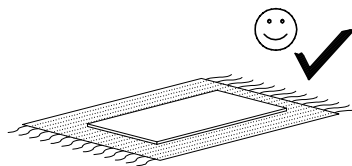
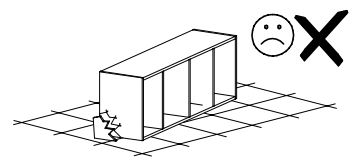
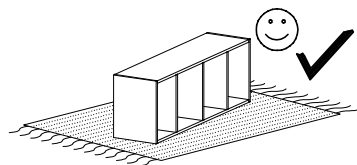
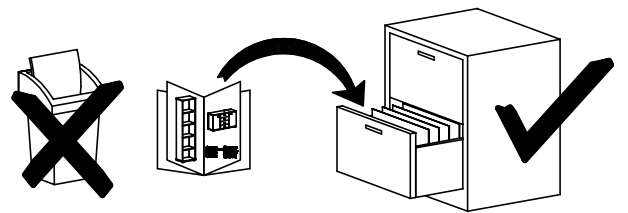
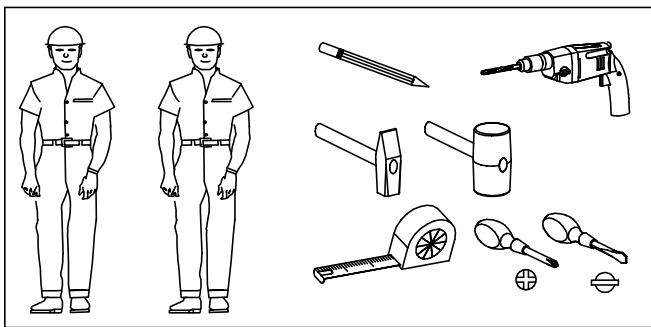
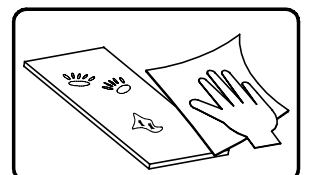
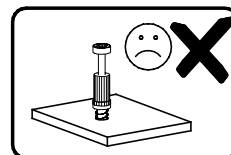
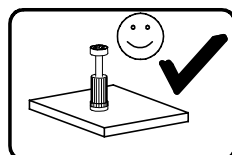
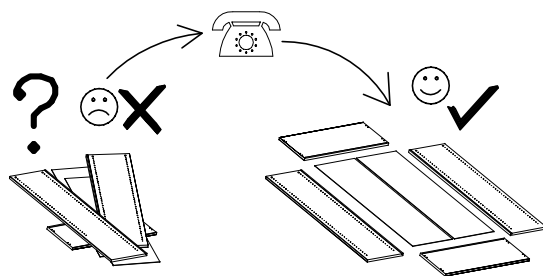
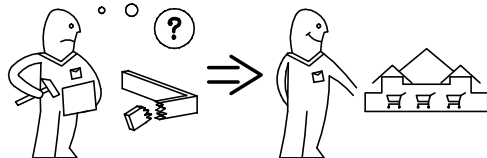
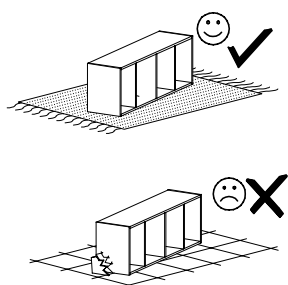


PUSH

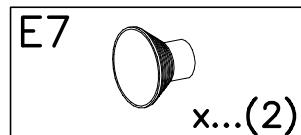


1,5h

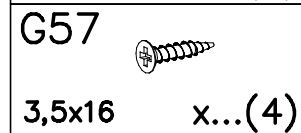
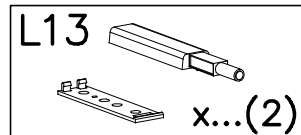
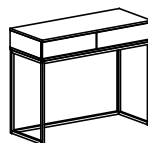




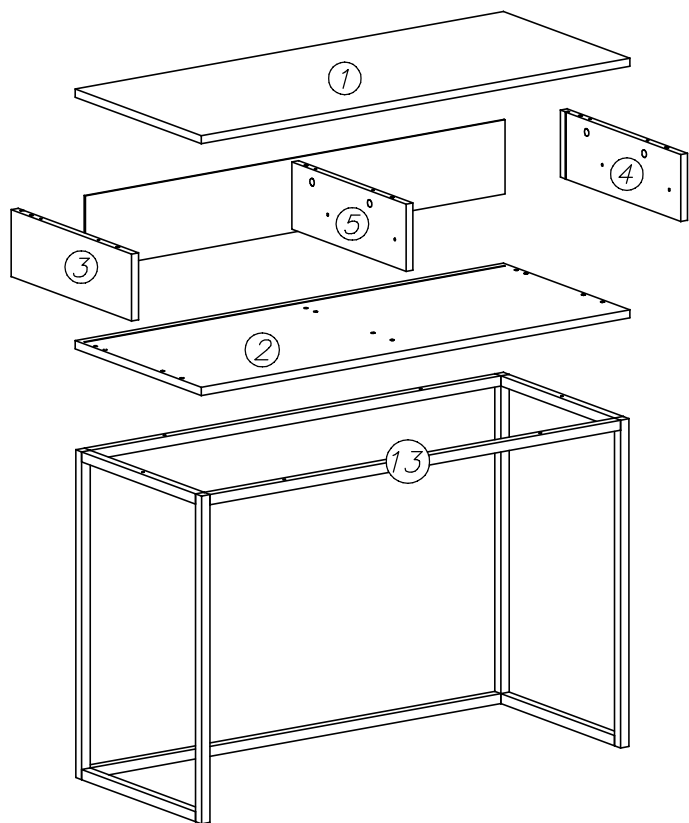
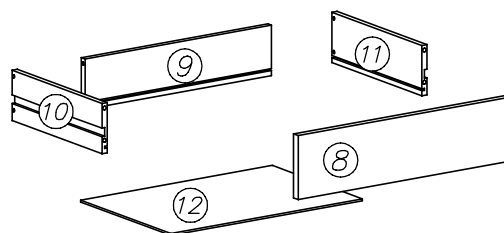
OPCJA A


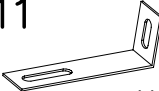

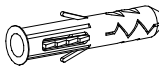


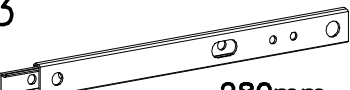

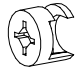

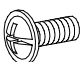
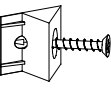

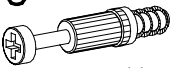

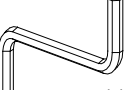




OPCJA B

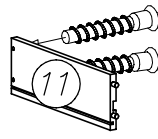
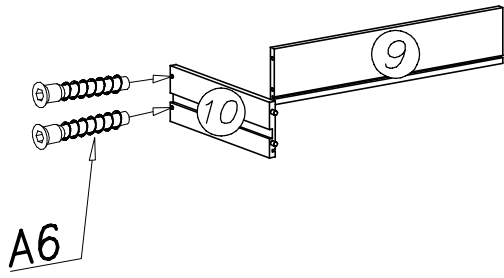


PUSH

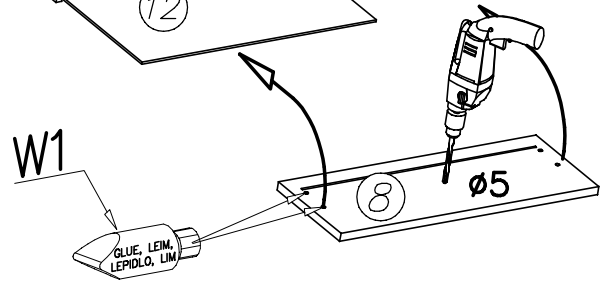
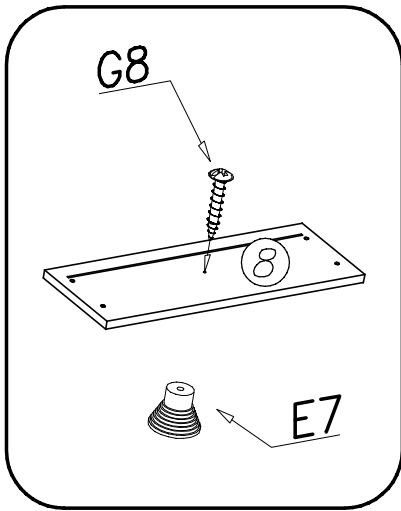
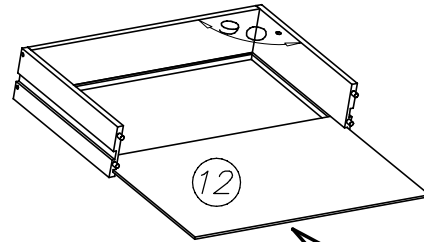
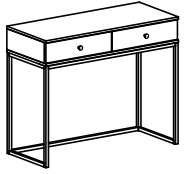


	G34  3,5x16 x...(2)	M11  x...(1)	G28  4x60 x...(1)	U6  ø8x40 x...(1)
I22  x...(4)	G49  6x20 x...(4)	H3  280mm x...(4)	G50  6x13 x...(4)	
K1  ø15x12 x...(6)	G8  4x30 x...(8)	N1  M4x9 x...(4)	I1  x...(4)	W1  GLUE, LEIM, LEPIDLO, LIM x...(1)
K10  x...(6)	B1  ø8x35 x...(20)	W2  x...(1)	A6  ø7x40 x...(8)	A1  ø7x50 x...(6)

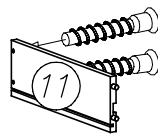
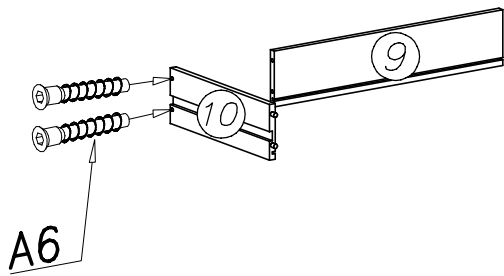
I



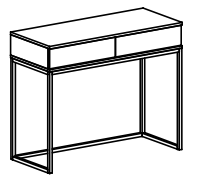
OPCJA A



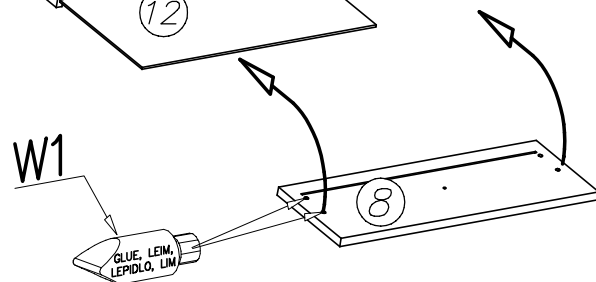
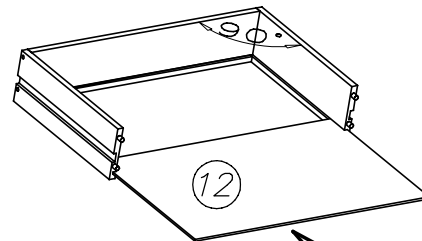
II



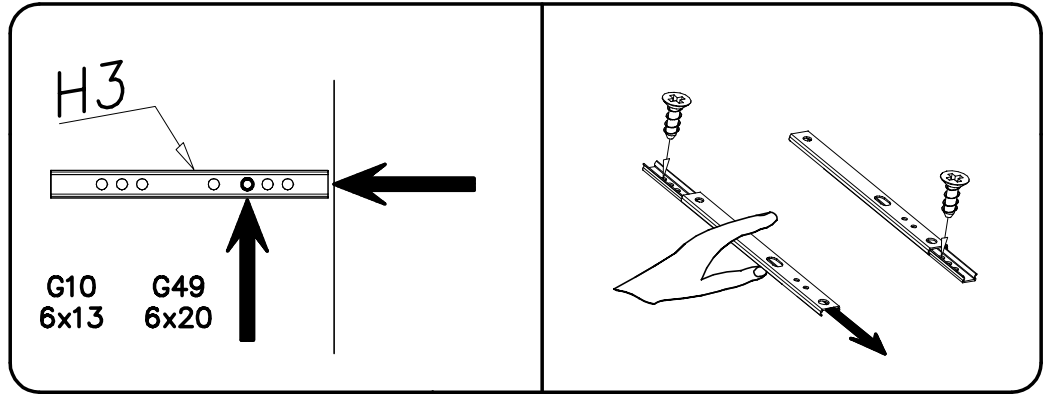
OPCJA B



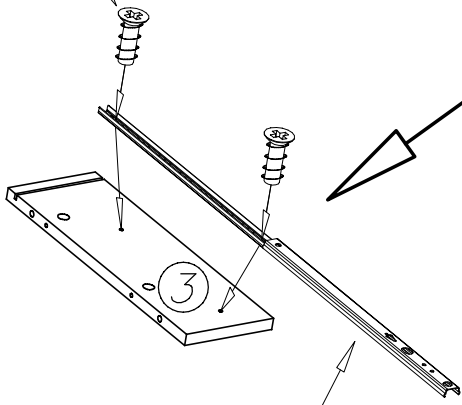
PUSH



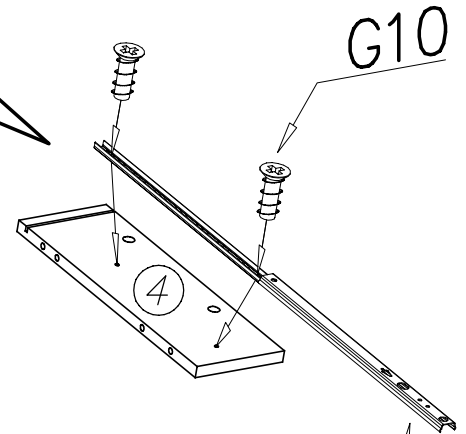
III



G10



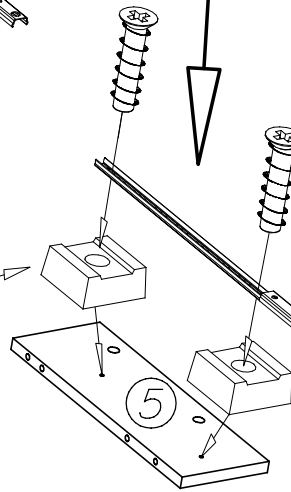
H3



G10

H3

I22



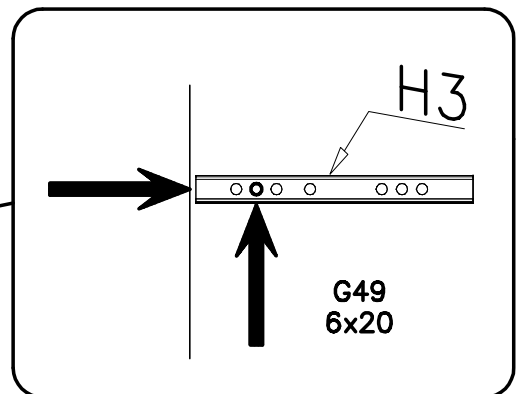
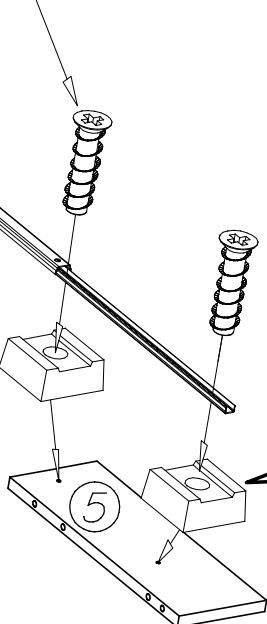
G49

H3

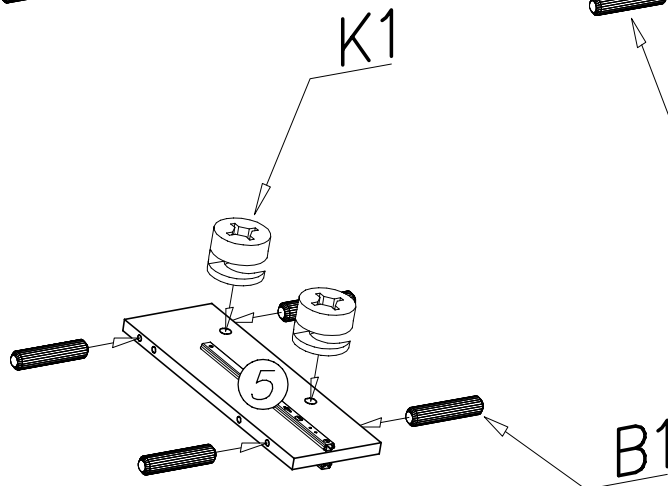
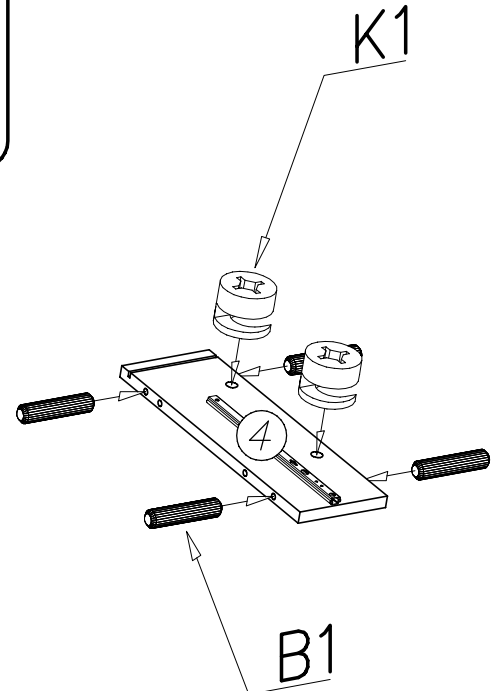
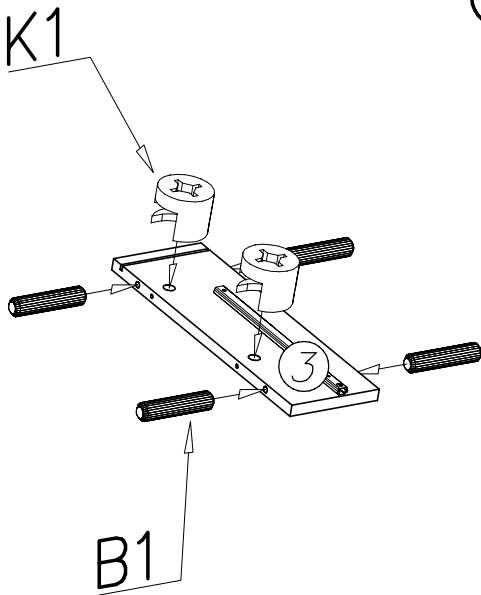
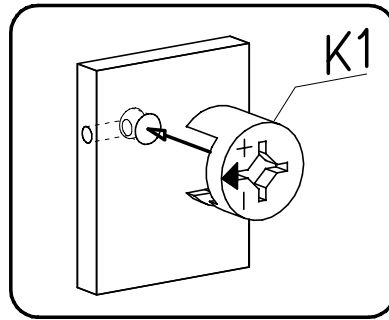
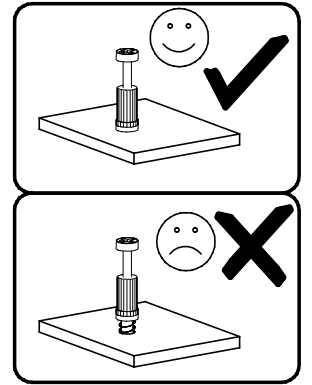
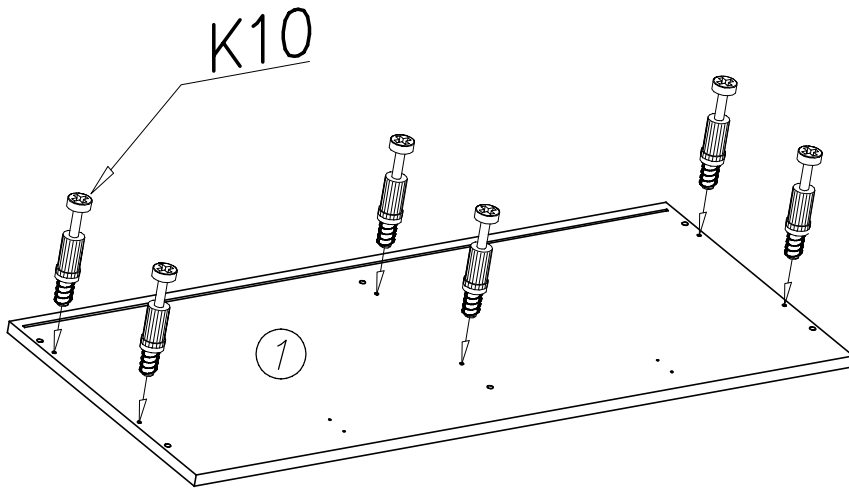
G49

H3

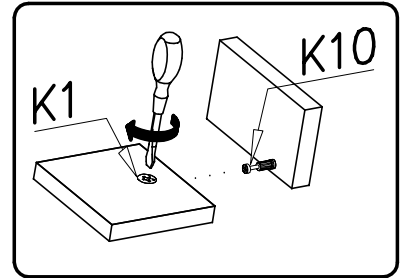
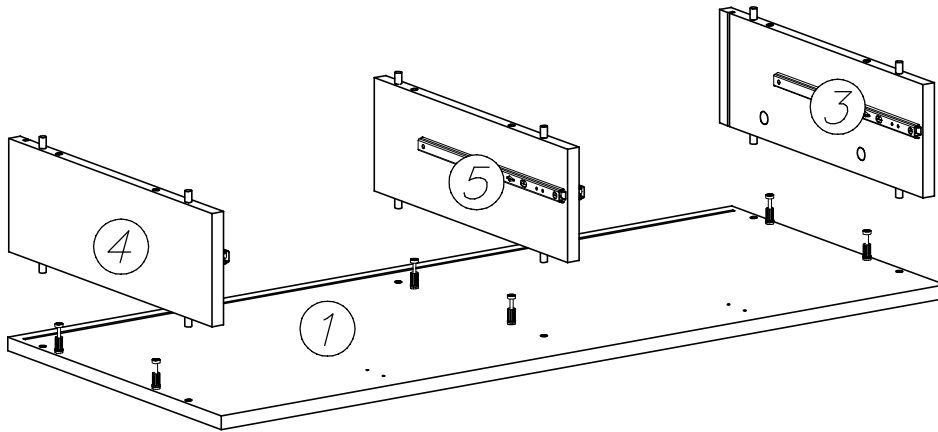
I22



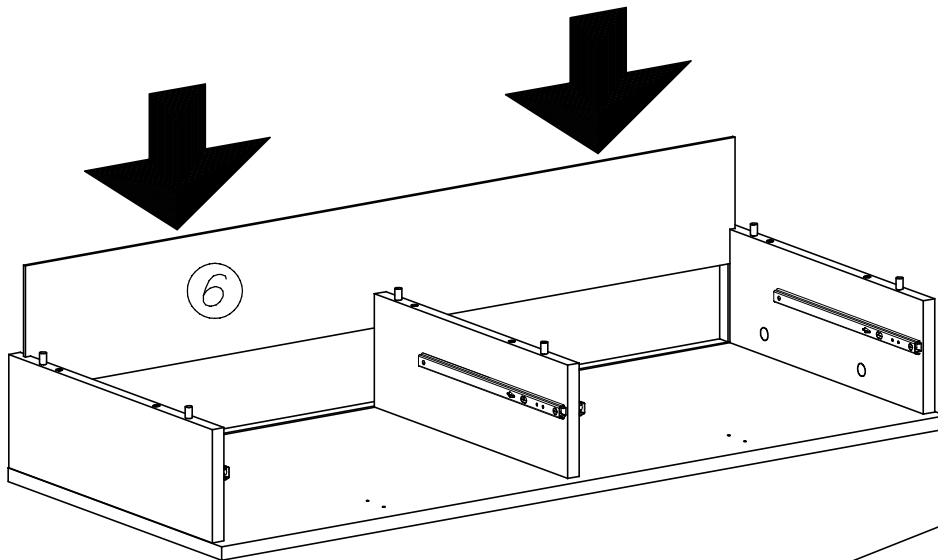
IV



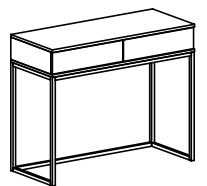
V



VI

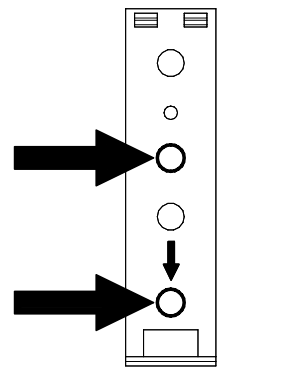
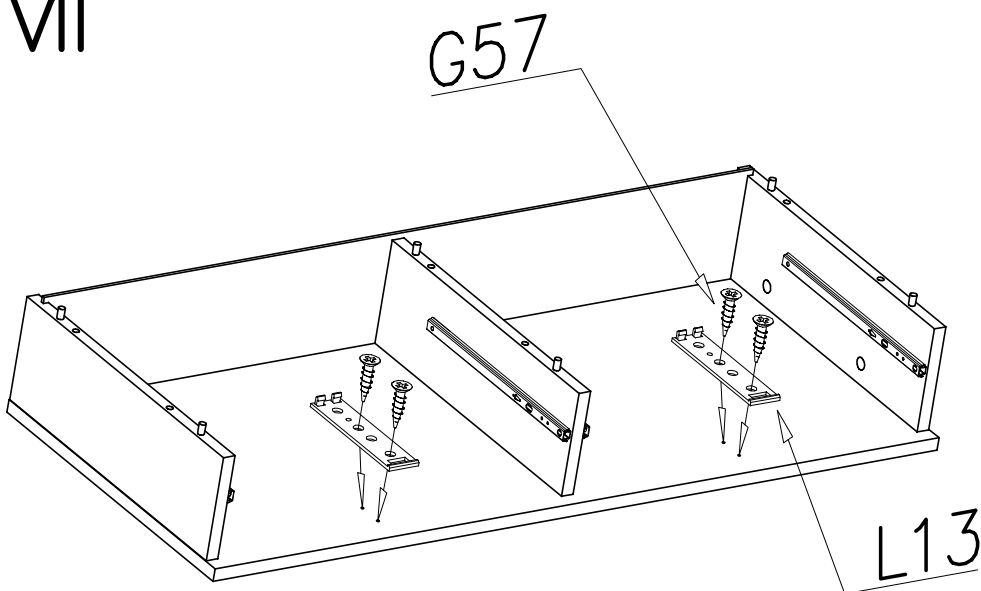


OPCJA B



PUSH

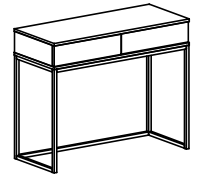
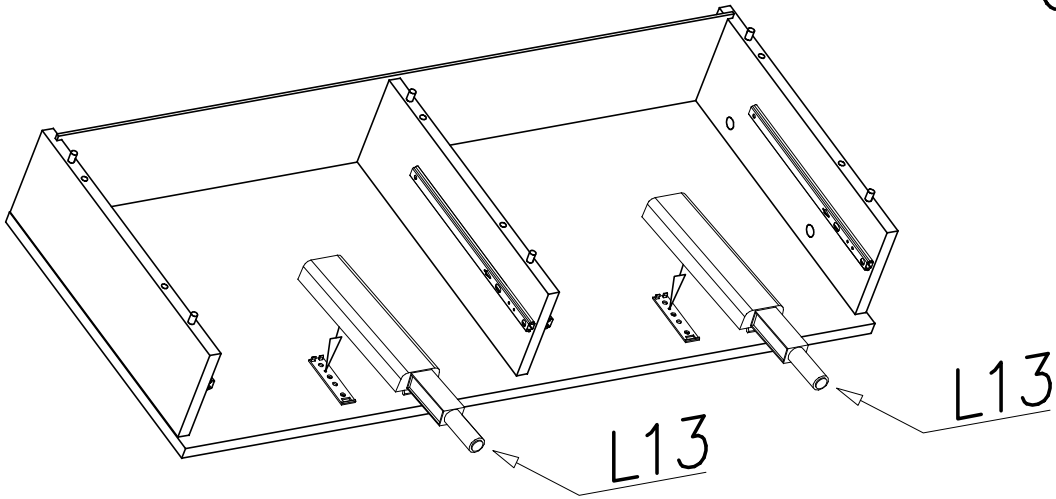
VII



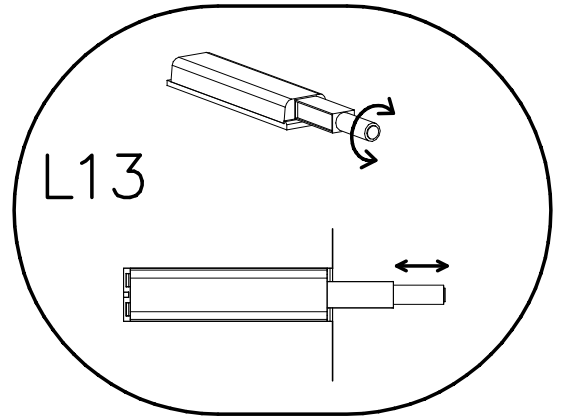
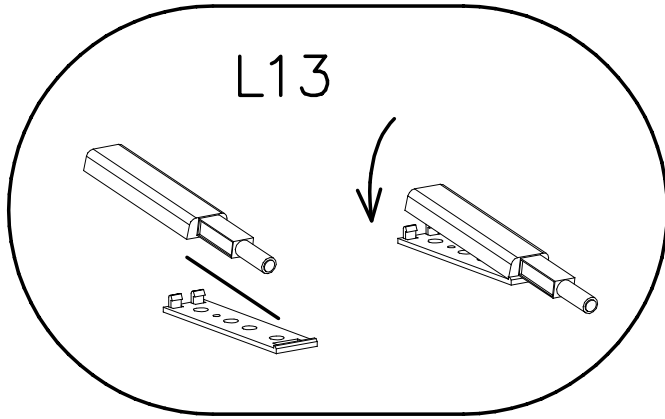
front

VIII

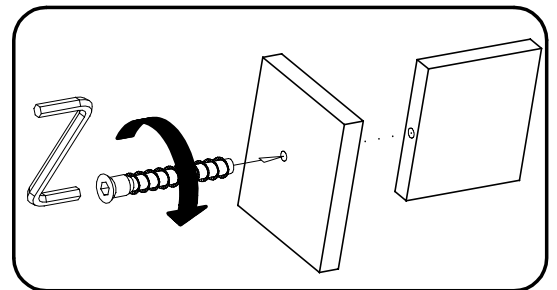
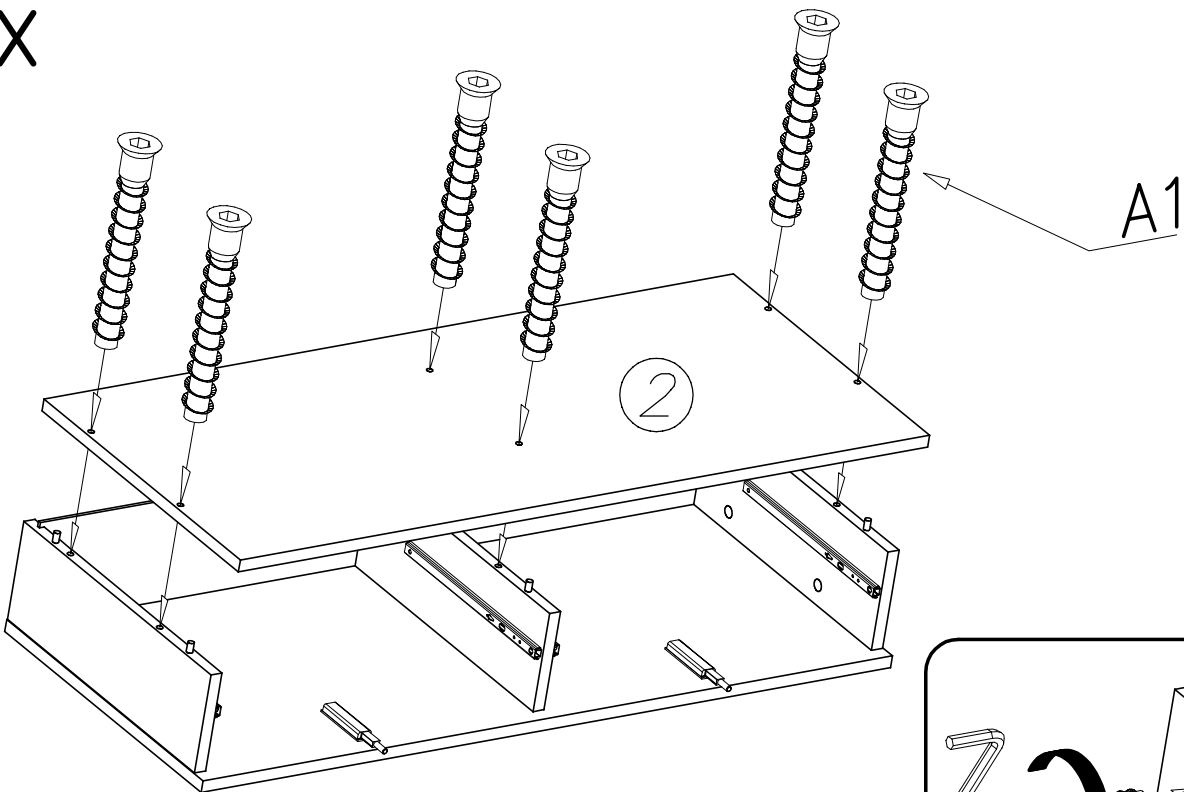
OPCJA B



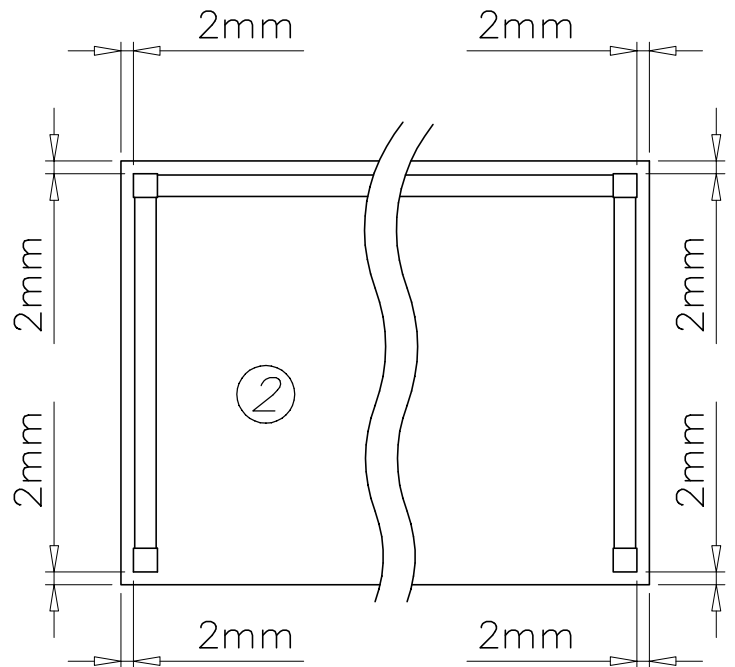
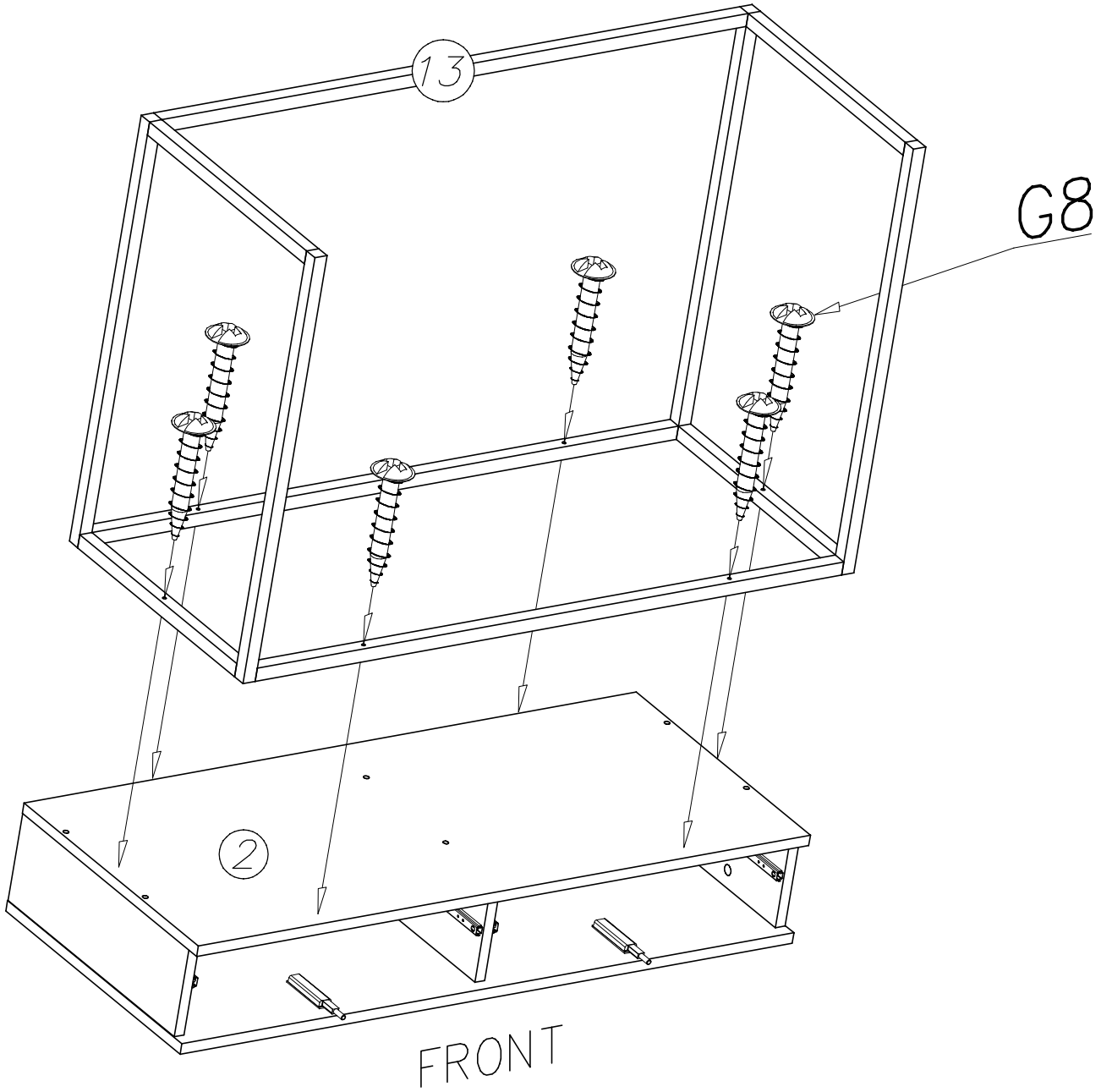
PUSH



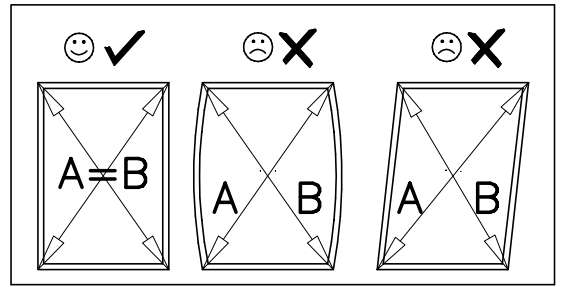
IX



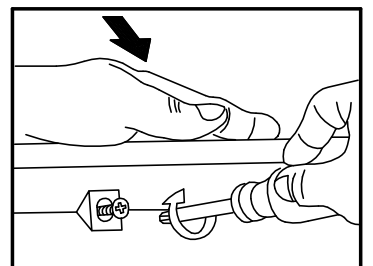
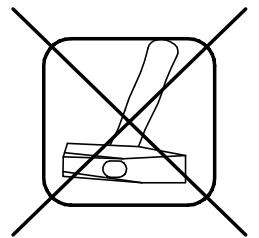
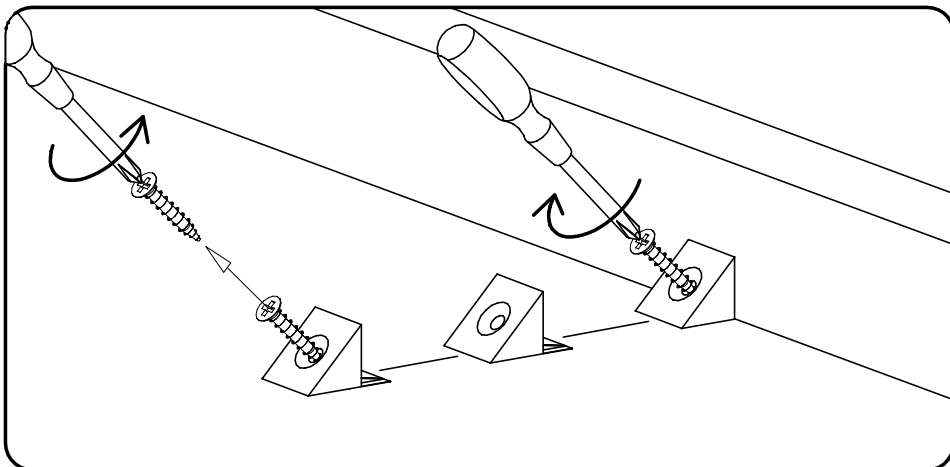
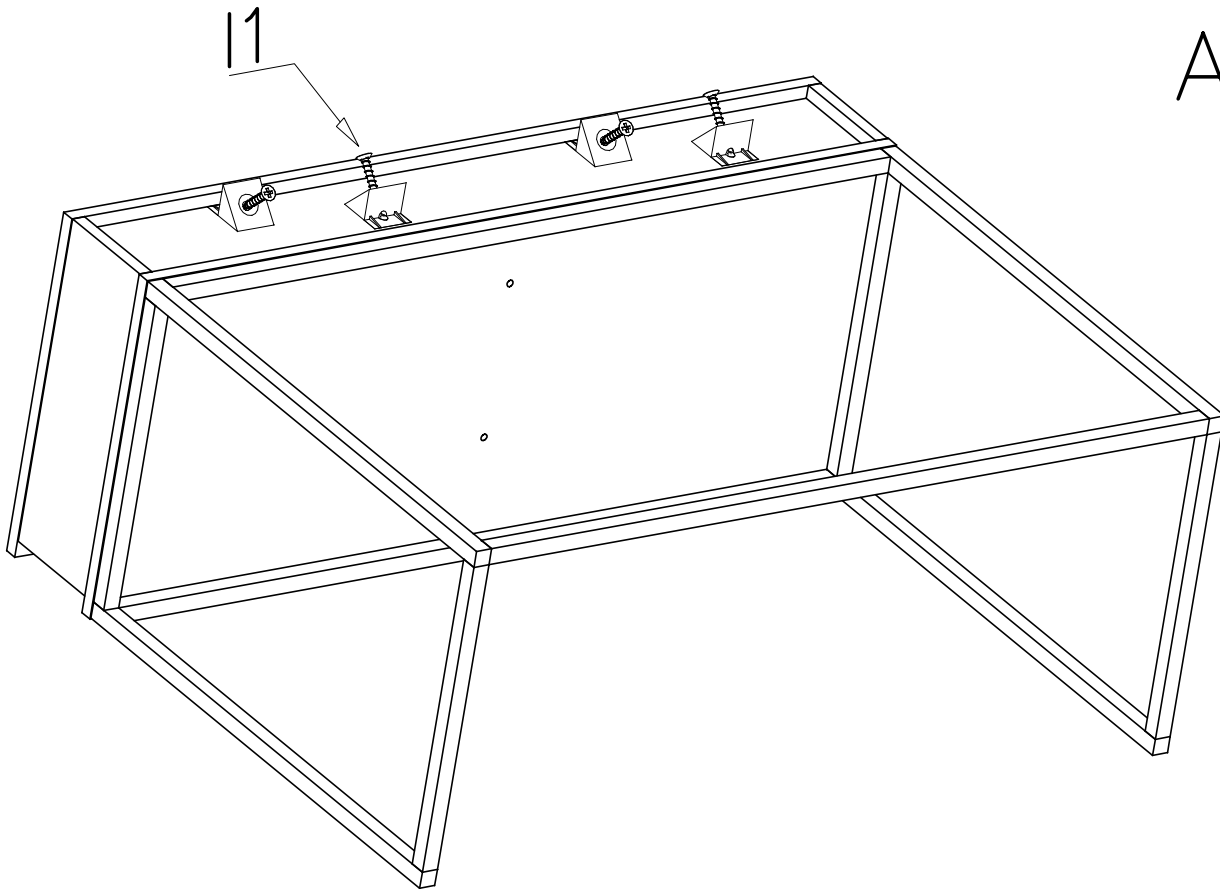
X

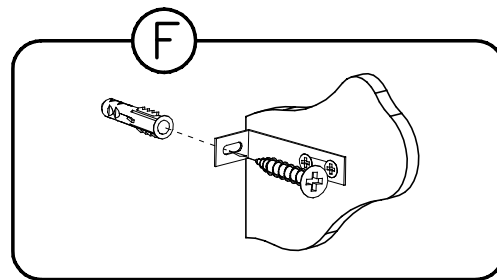
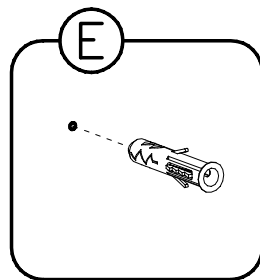
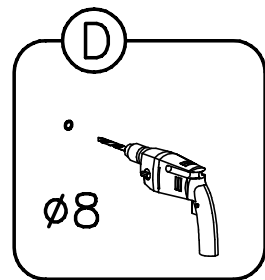
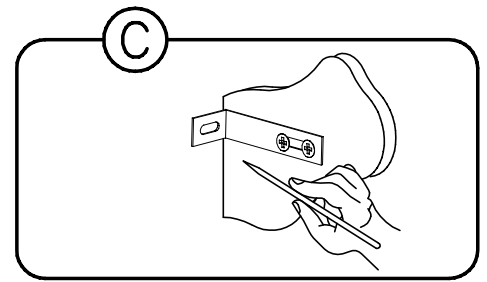
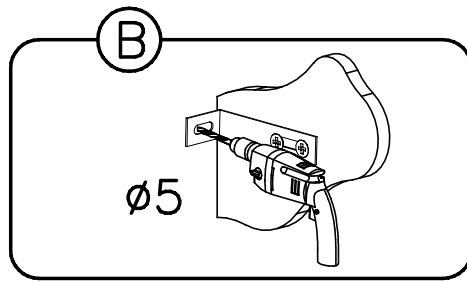
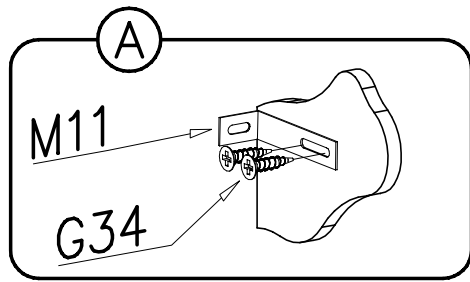


XI

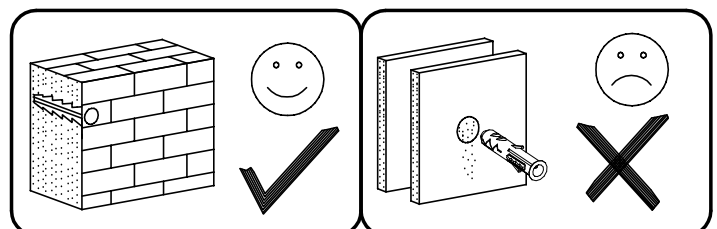
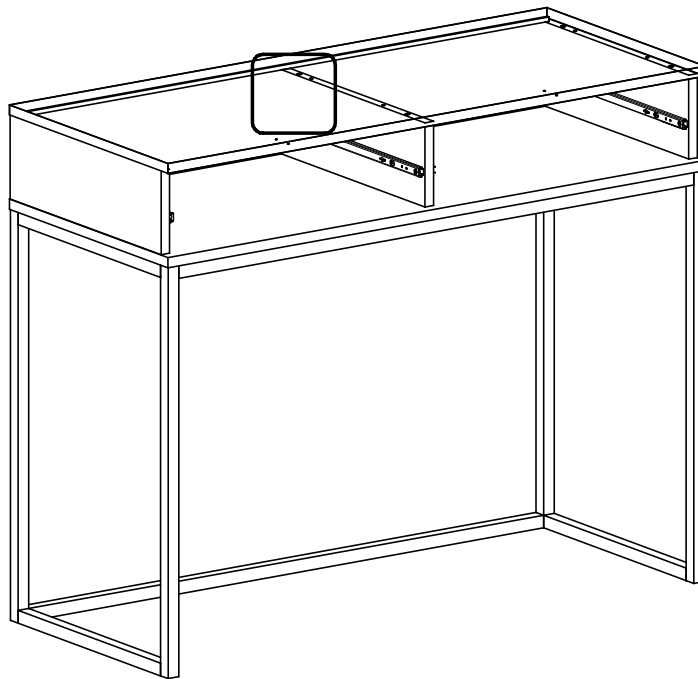


$A=B$

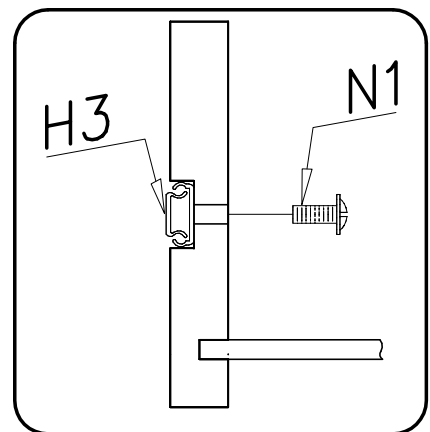
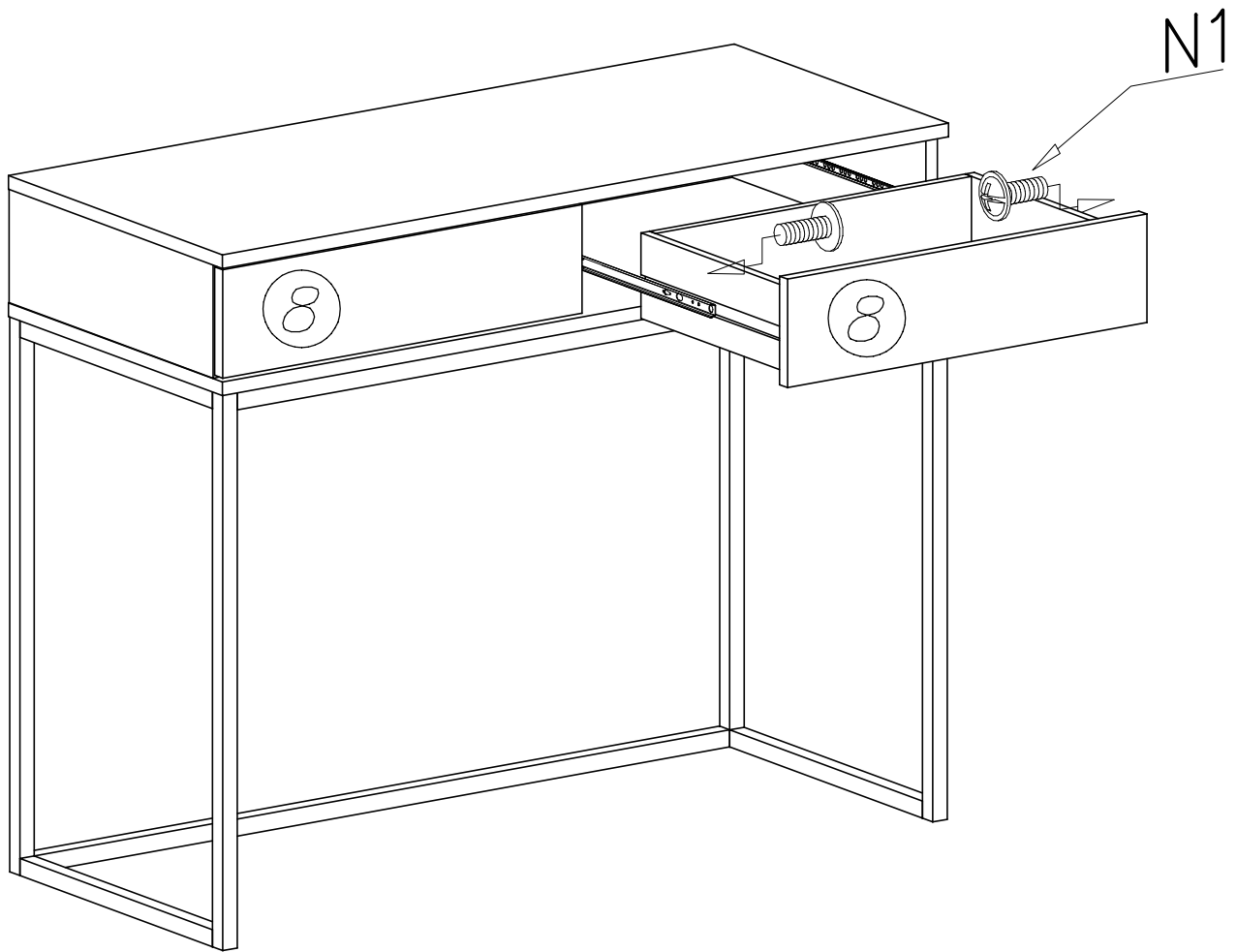


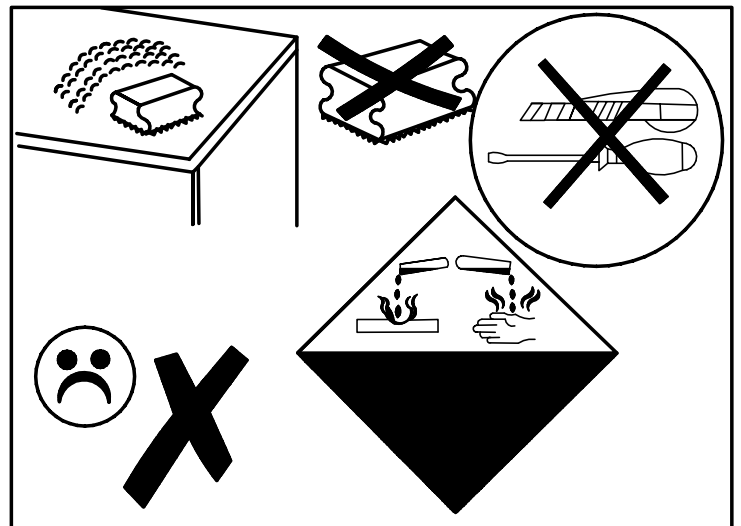
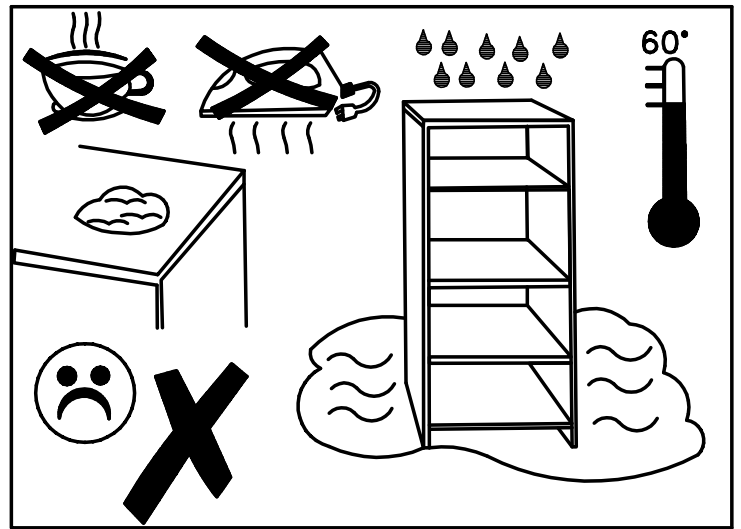
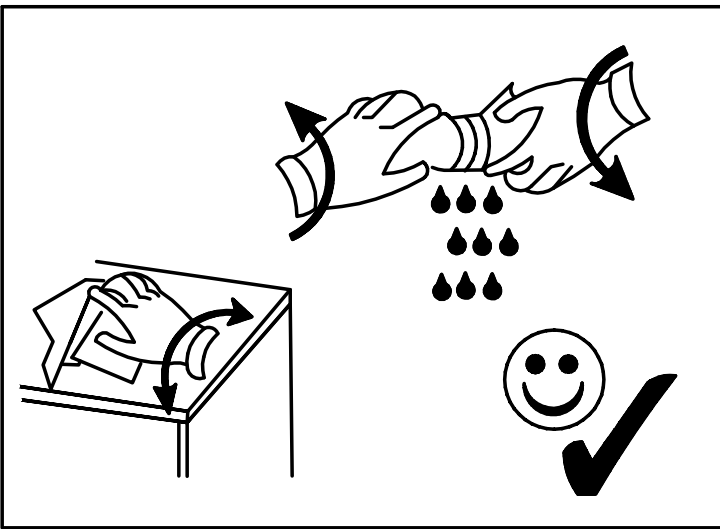
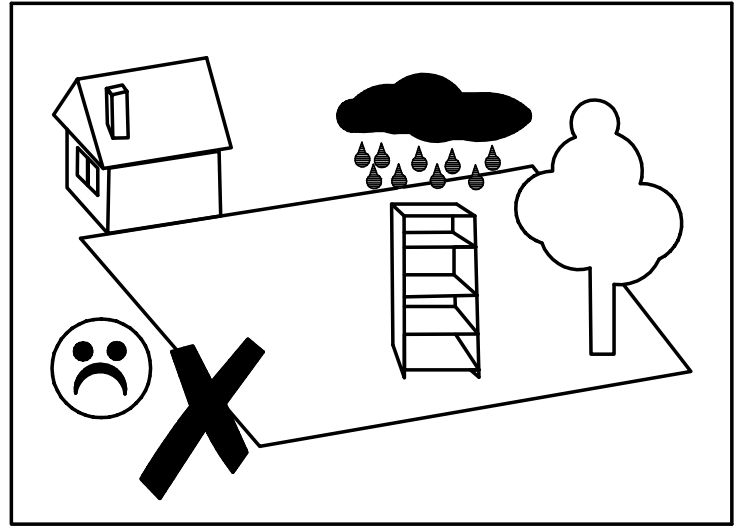
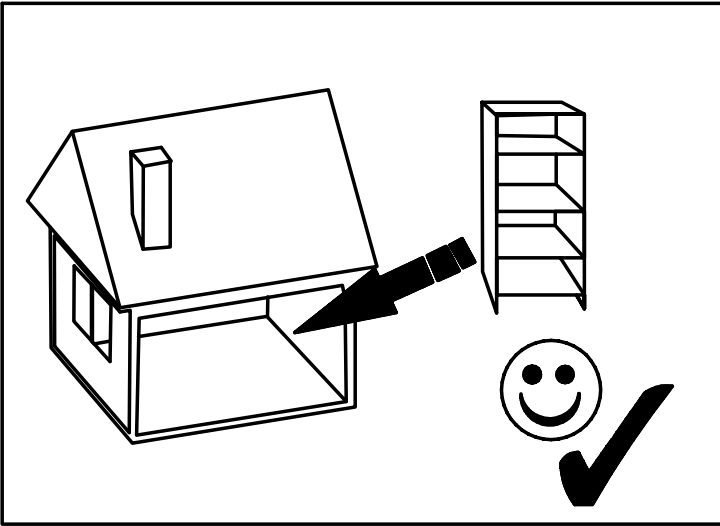


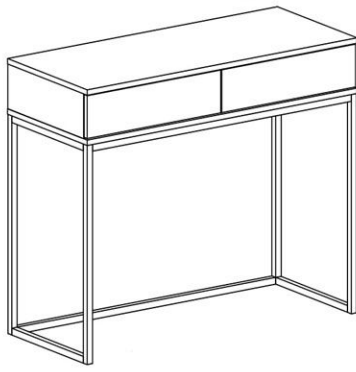
XII



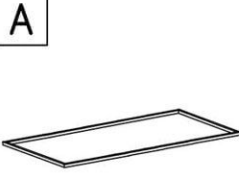
XIII



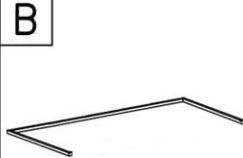




1



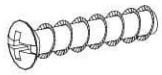
x1



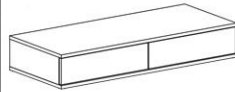
x1



x4



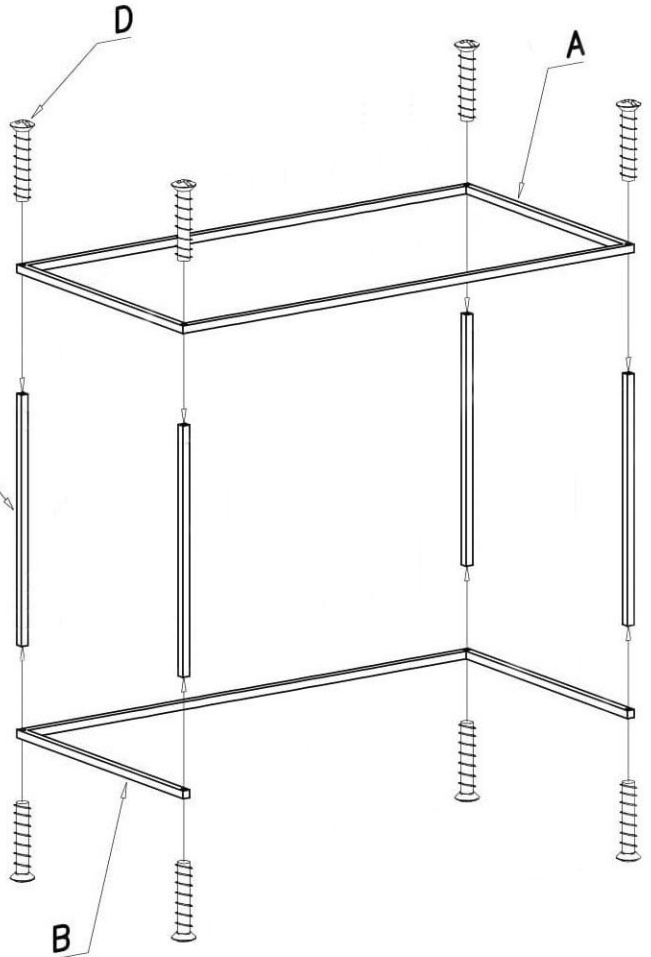
x8



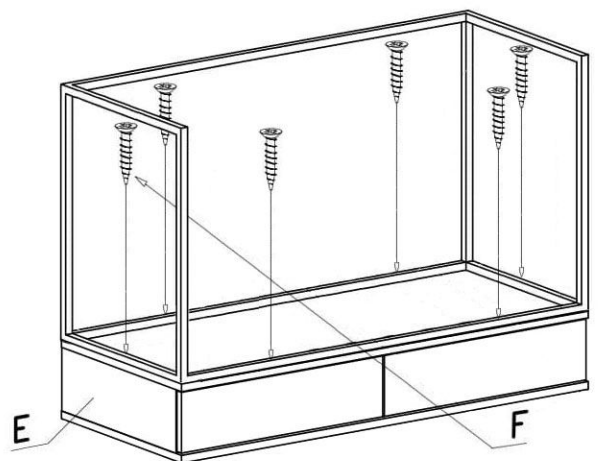
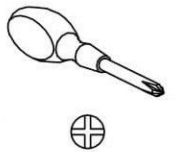
x1

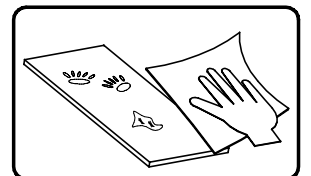
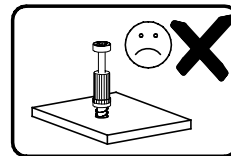
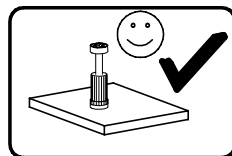
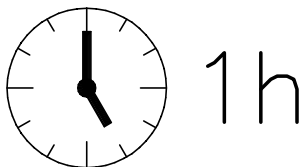
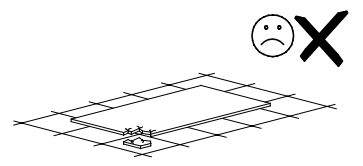
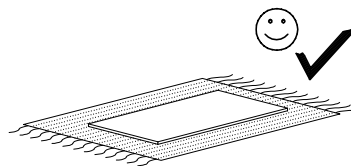
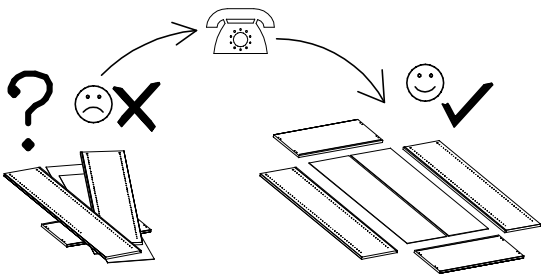
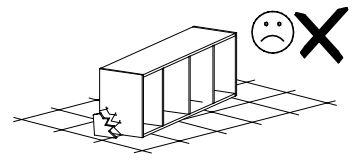
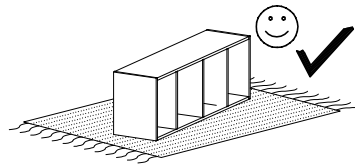
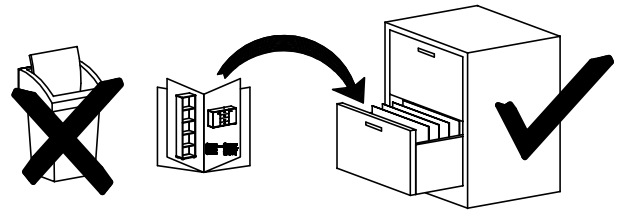
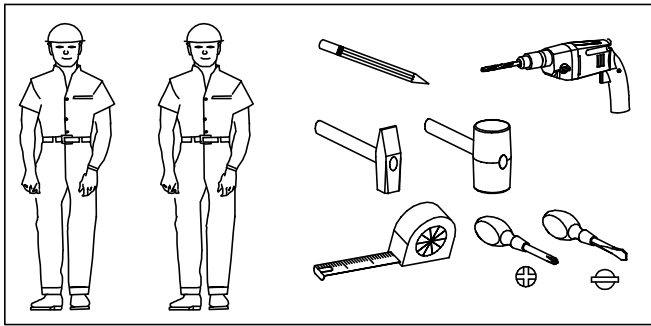
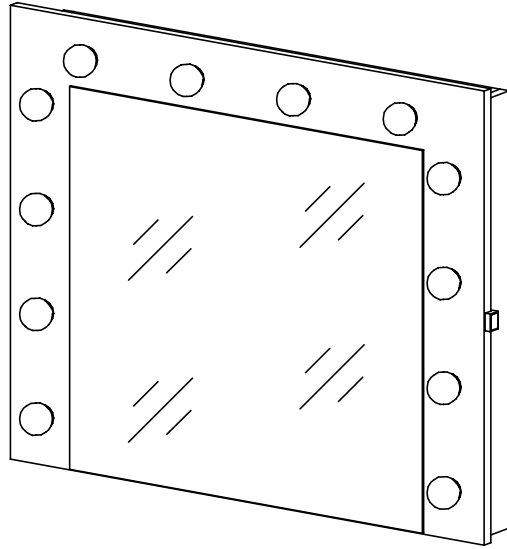


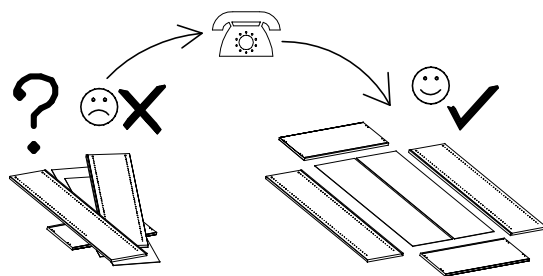
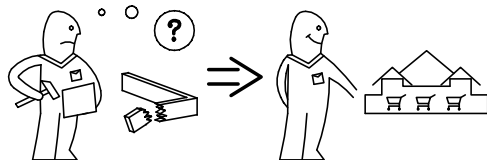
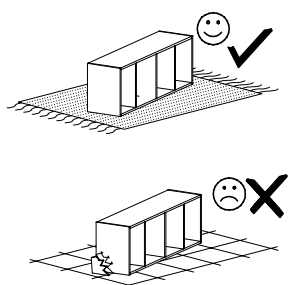
x6



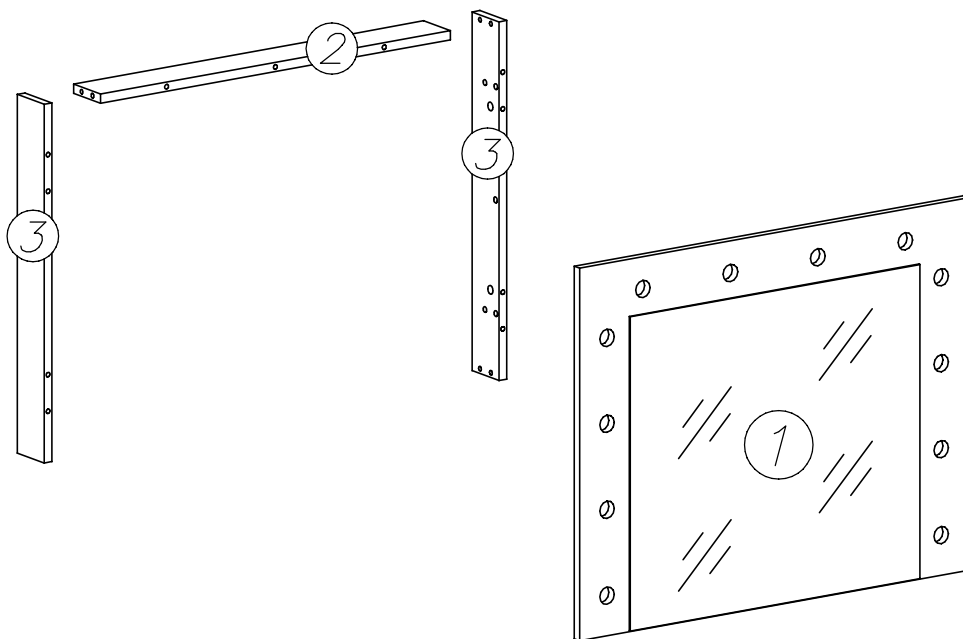
2



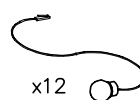




nr	L[mm]	B[mm]	T[mm]	Menge	Colli
1	650	800	20	1	1/1
2	720	79	16	1	1/1
3	626	79	16	2	1/1

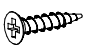


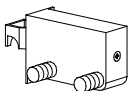
W20

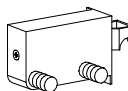



x12


x...(1)

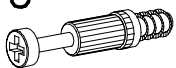
G34 
3,5x16 x...(1)


U9L 
x...(1)

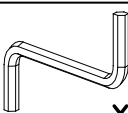
U9R 
x...(1)

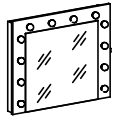
I7 
Ø18 x...(5)

K1 
Ø15x12 x...(5)

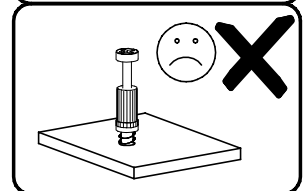
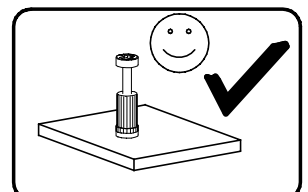
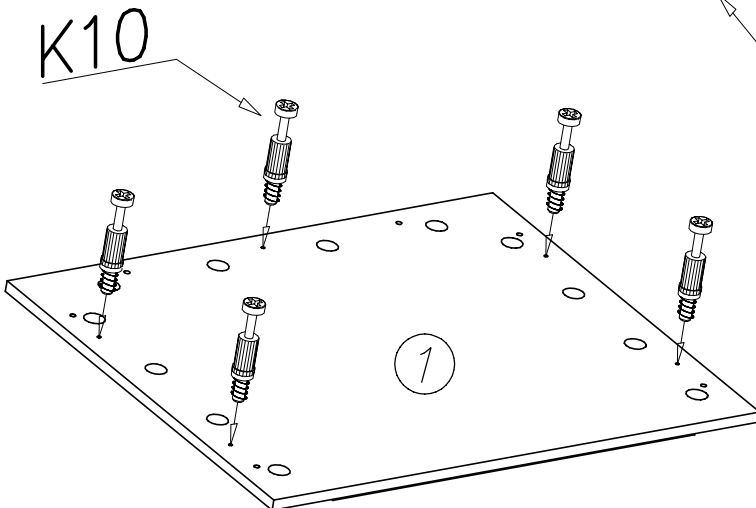
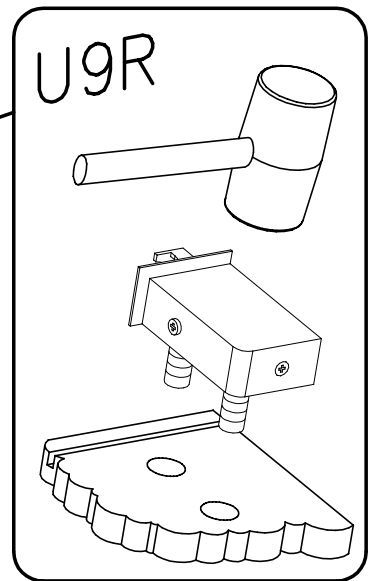
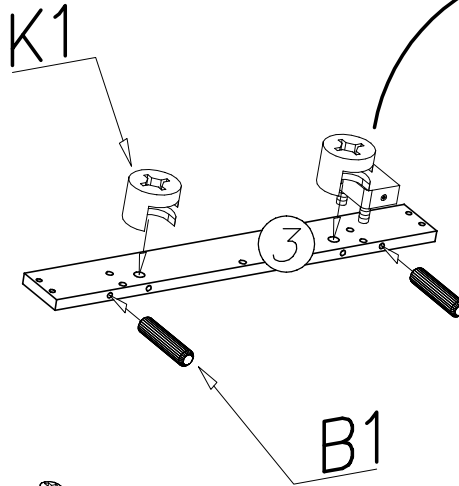
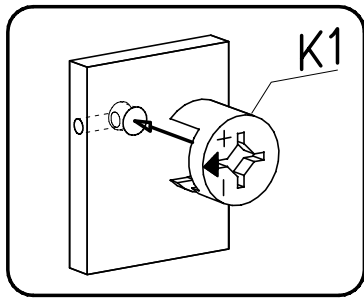
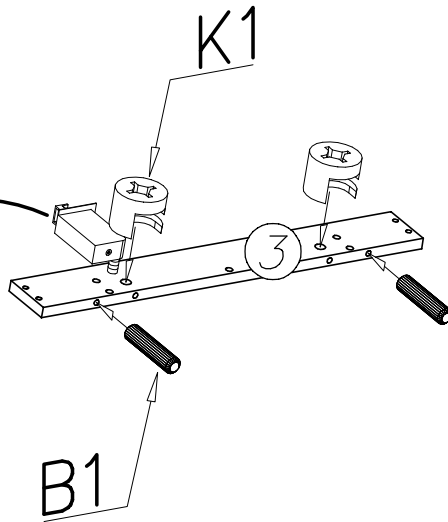
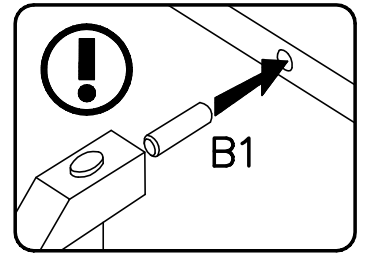
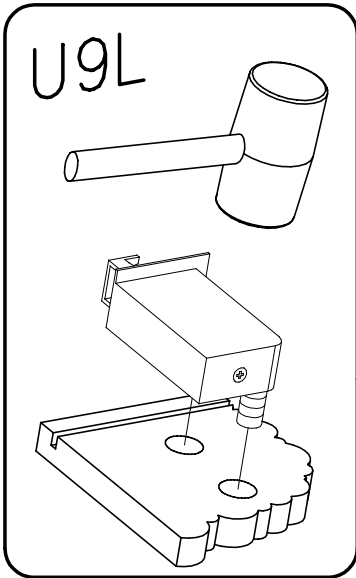
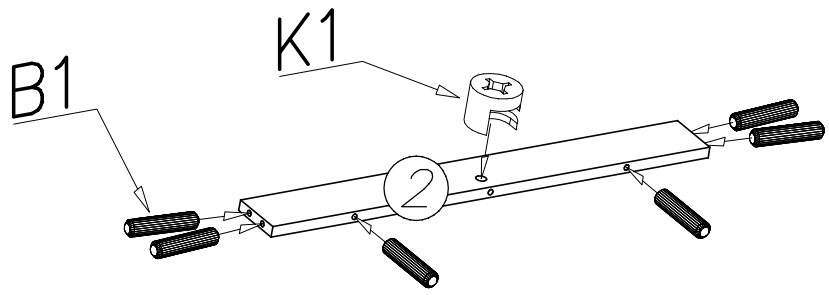
K10 
x...(5)

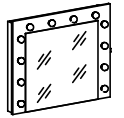
B1 
Ø8x35 x...(10)

W2 
x...(1)

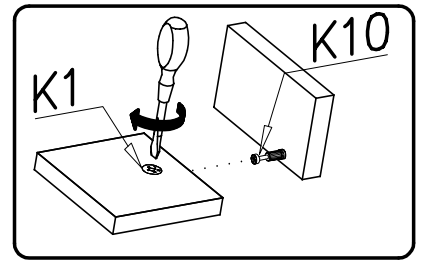
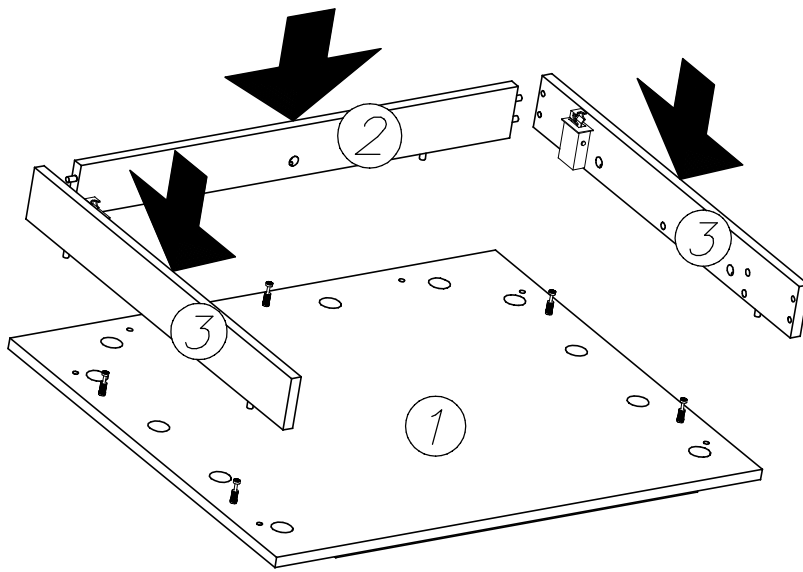


I

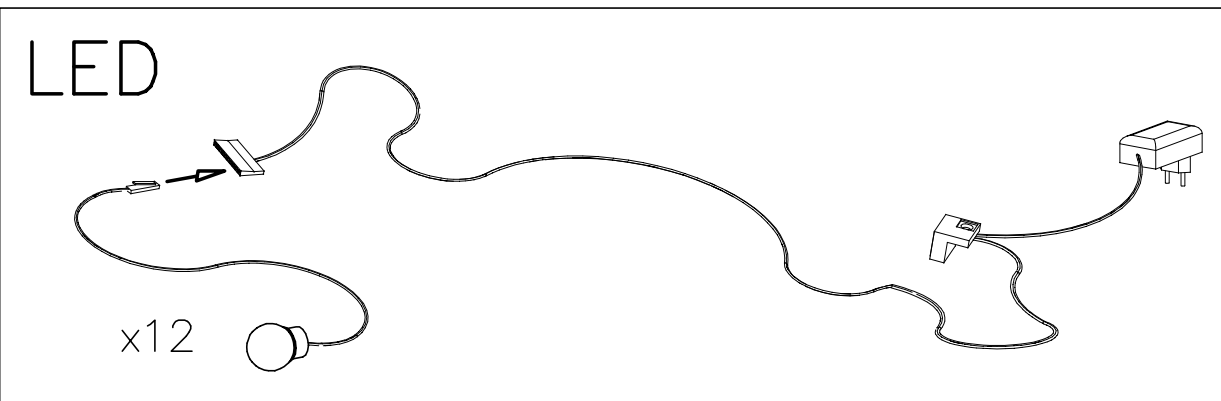
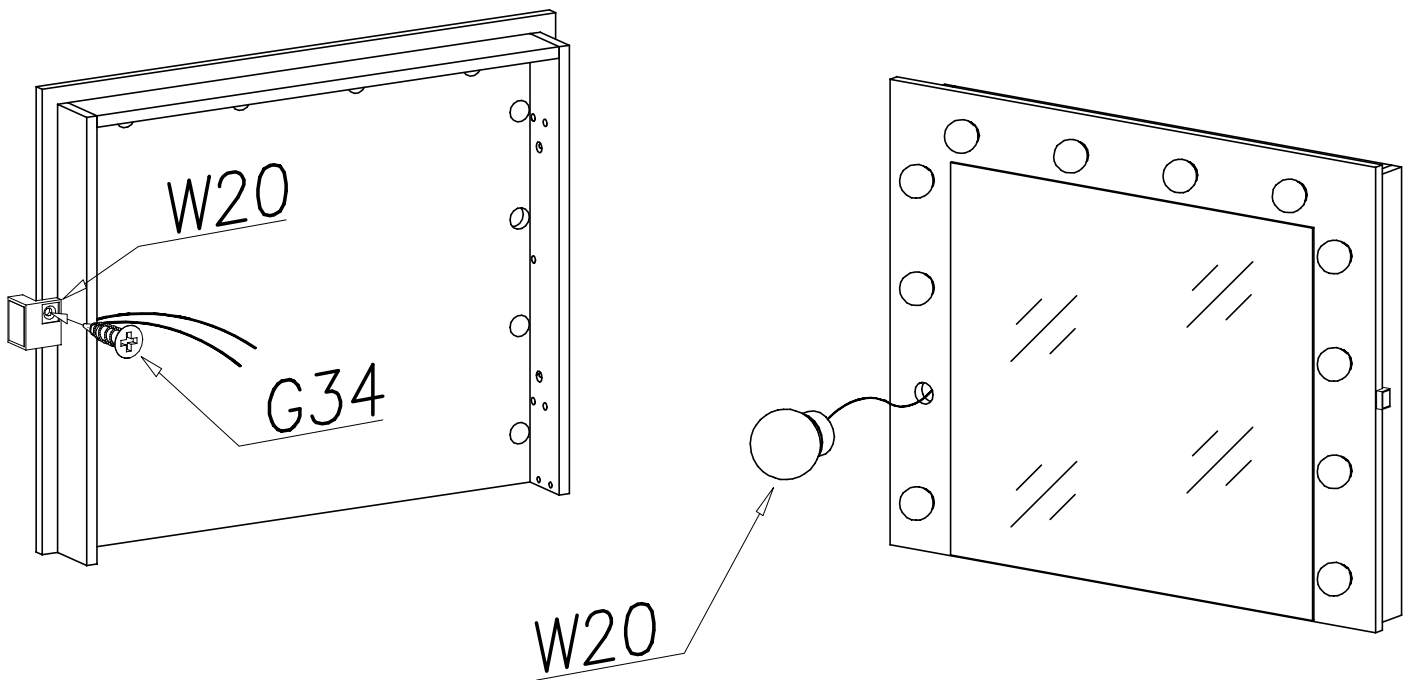


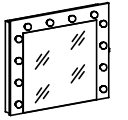


II

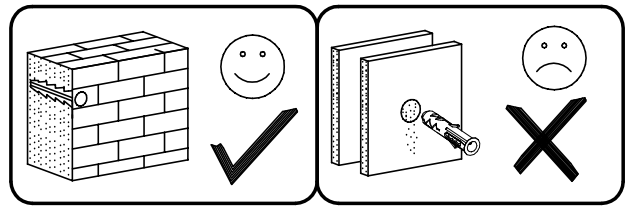
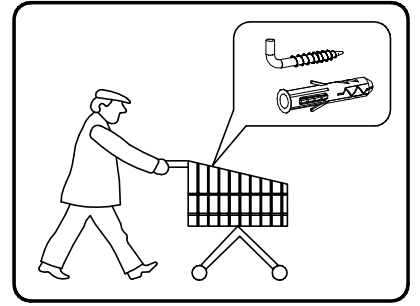
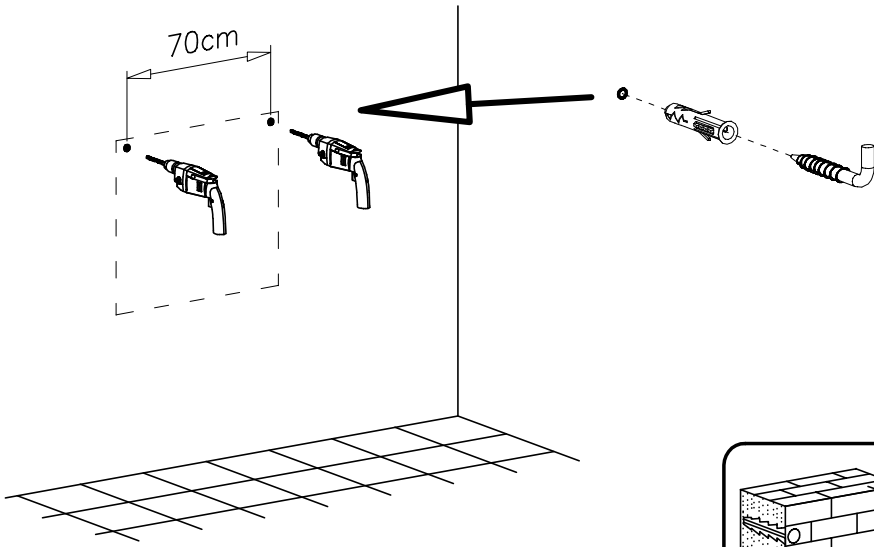


III





IV



V

