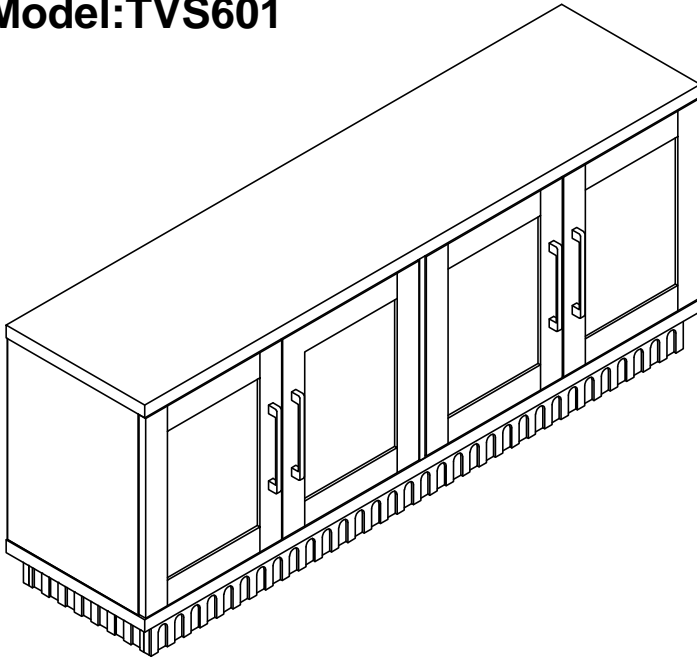


4-Doors- TV Stand Cabinet

Model:TVS601



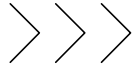
CONTACT US:

If you have any questions about the installation, please just feel free to contact us at email: mvdaily002@gmail.com

Alternative method to contact us (Amazon.com orders only)


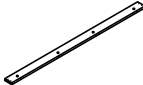






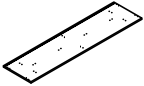
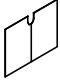
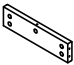
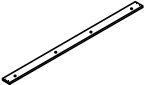
1. Log into your amazon account
2. Go to "Your Orders" and find the purchase
3. Click on "Contact Seller"

Assembly Instructions

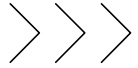


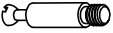





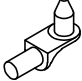
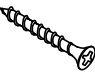

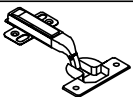
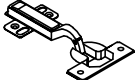

Notice:

1. Follow the installation instructions. Please confirm all accessories are presented before installation.
2. Do not fully tighten the screws during initial assembly. Fully tighten screws only once all pieces which are correctly assembled.
3. If you encounter any problems during installation, please contact our customer service.

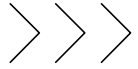
Item no.	Reference Image	Qty.	Item no.	Reference Image	Qty.
①		X 1	⑩		X 1
②		X 2	⑪		X 2
③		X 2	⑫		X 2
④		X 1			
⑤		X 2			
⑥		X 1			
⑦		X 2			
⑧		X 2			
⑨		X 1			

Assembly Instructions

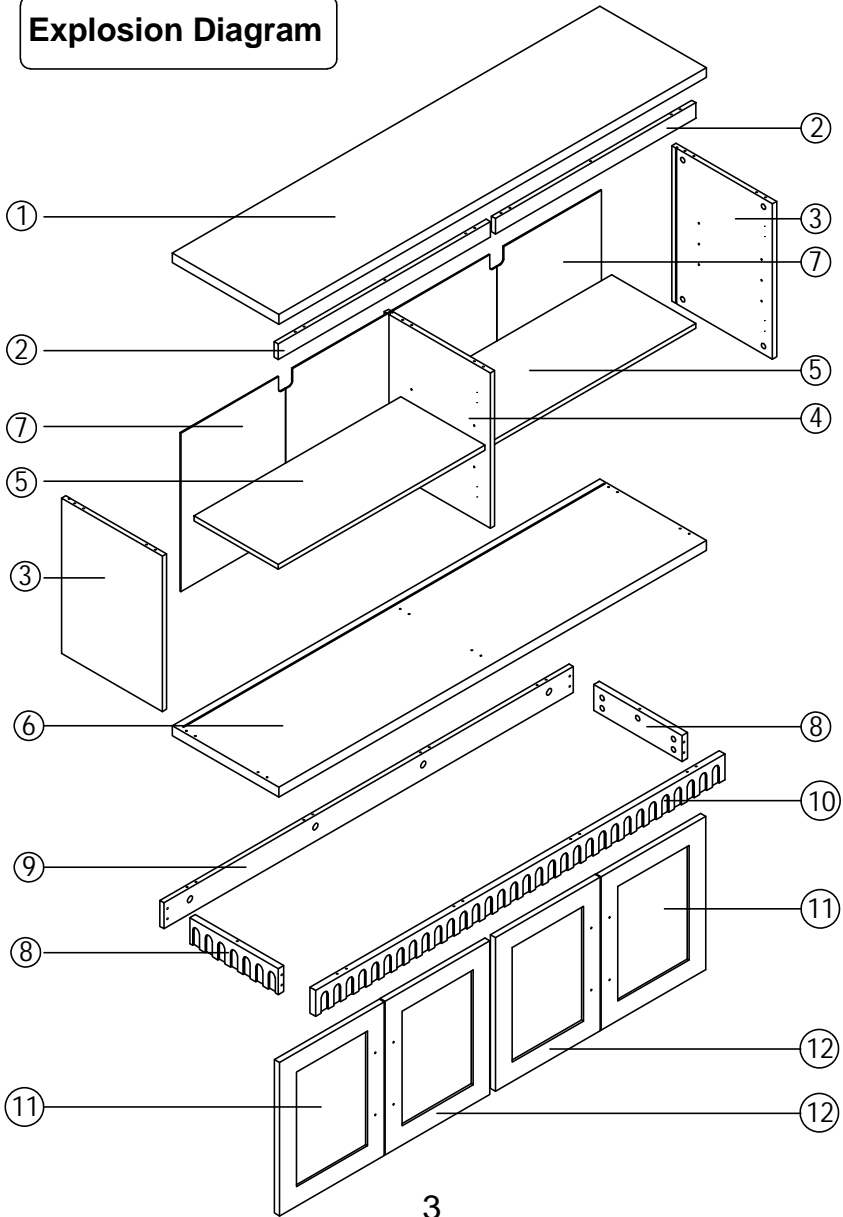


Item no.	Reference Image	Qty.	Item no.	Reference Image	Qty.
(A)		X 36	(I)		X 2
(B)		X 36	(J)		X 8
(C)		X 24	(K)		X 2
(D)		X 8	(L)		X 2
(E)	 Ø3.5*15	X 50			
(F)		X 4			
(G)		X 4			
(H)		X 4			

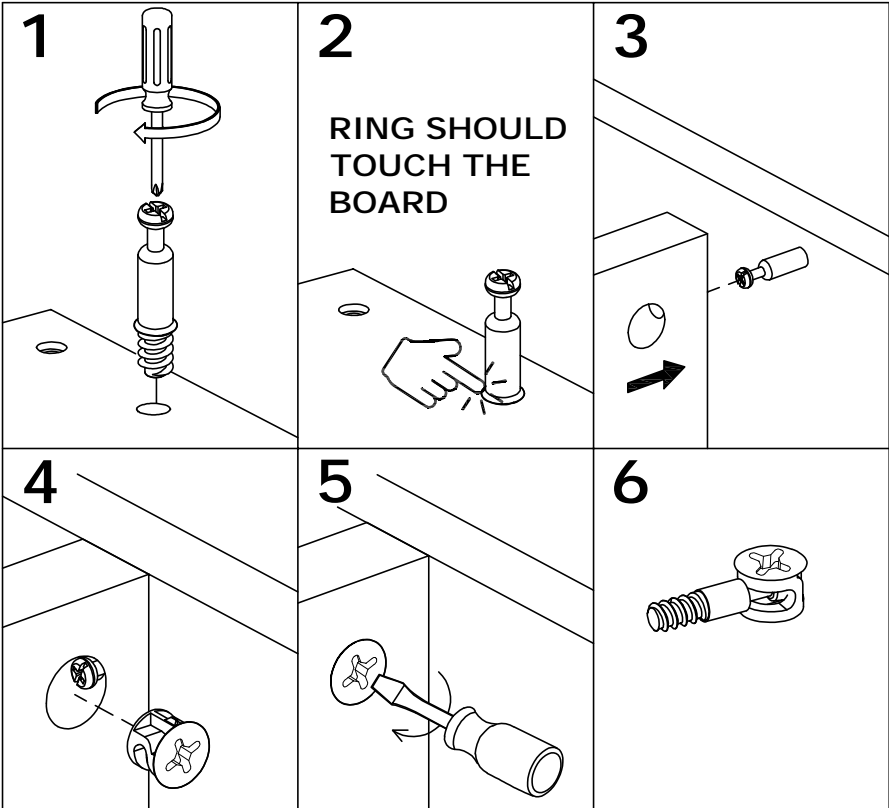
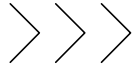
Assembly Instructions



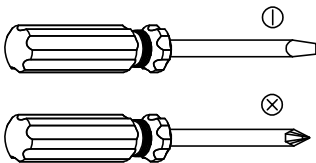
Explosion Diagram



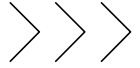
Assembly Instructions



Tools Needed (not included) Flat & Phillips Screwdriver



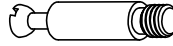
Assembly Instructions



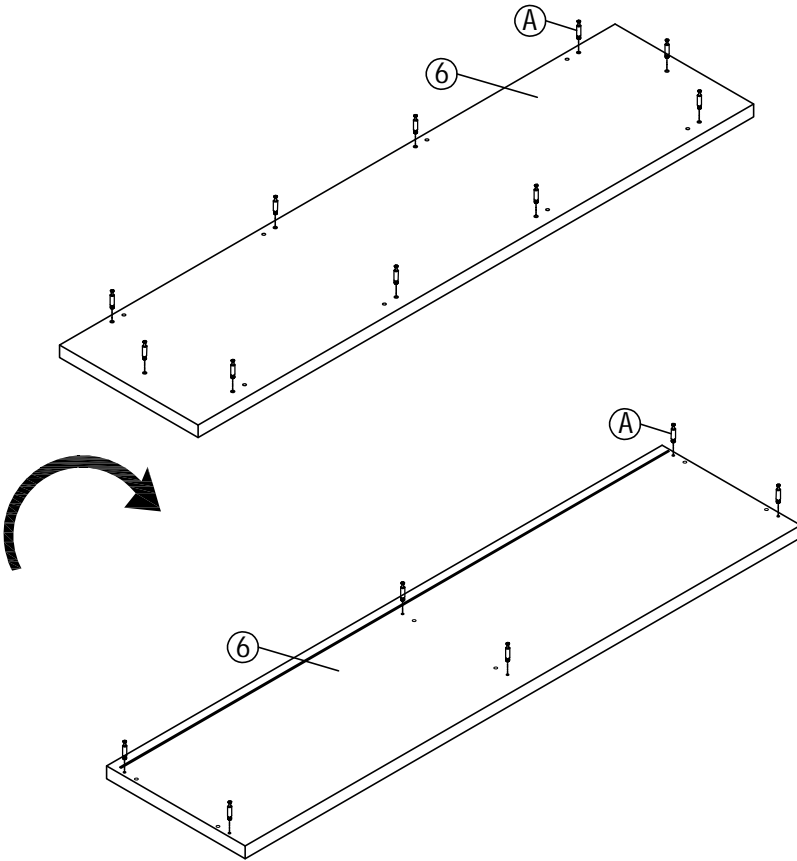
1



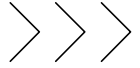
⑥ 1PC



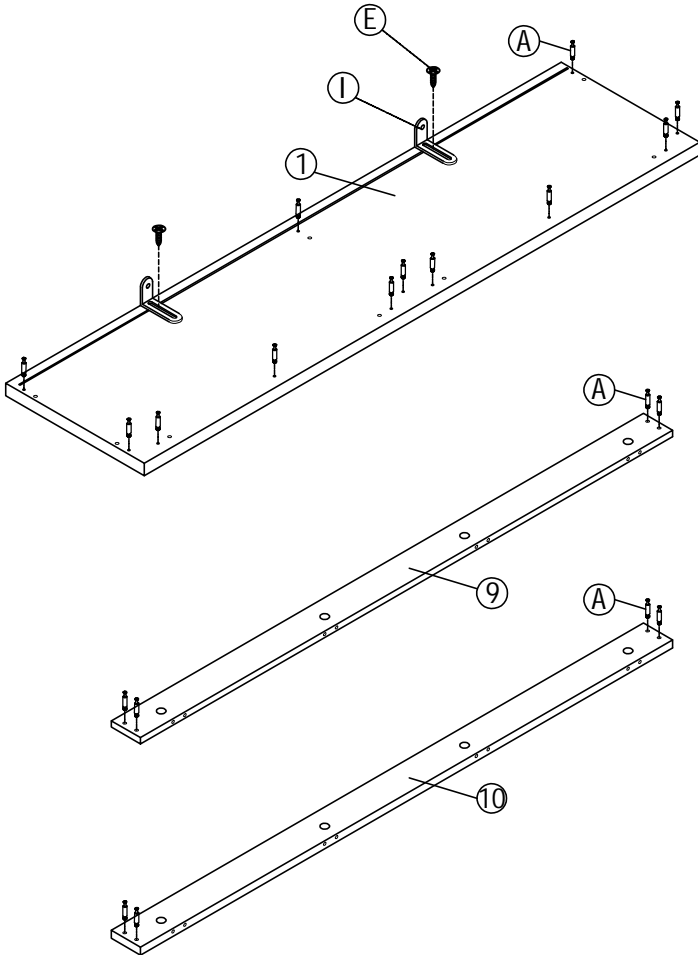
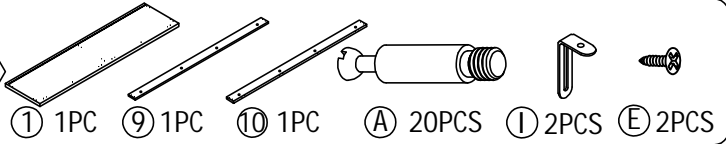
Ⓐ 16PCS



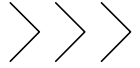
Assembly Instructions



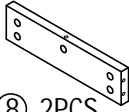
2



Assembly Instructions



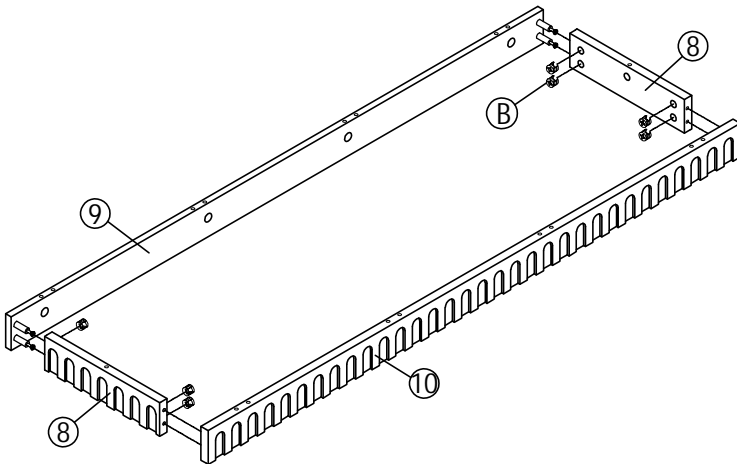
3



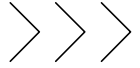
⑧ 2PCS



Ⓑ 8PCS



Assembly Instructions



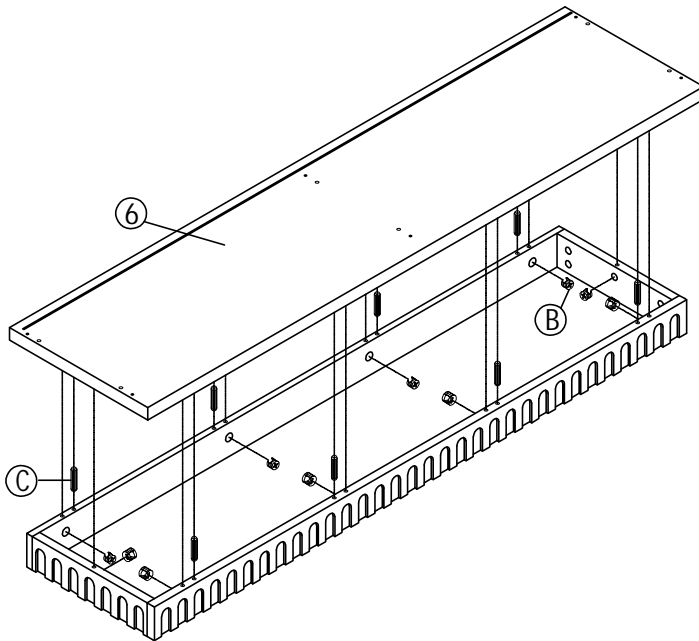
4



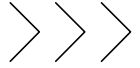
(B) 10PCS



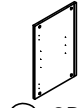
(C) 8PCS



Assembly Instructions



5



③ 2PCS



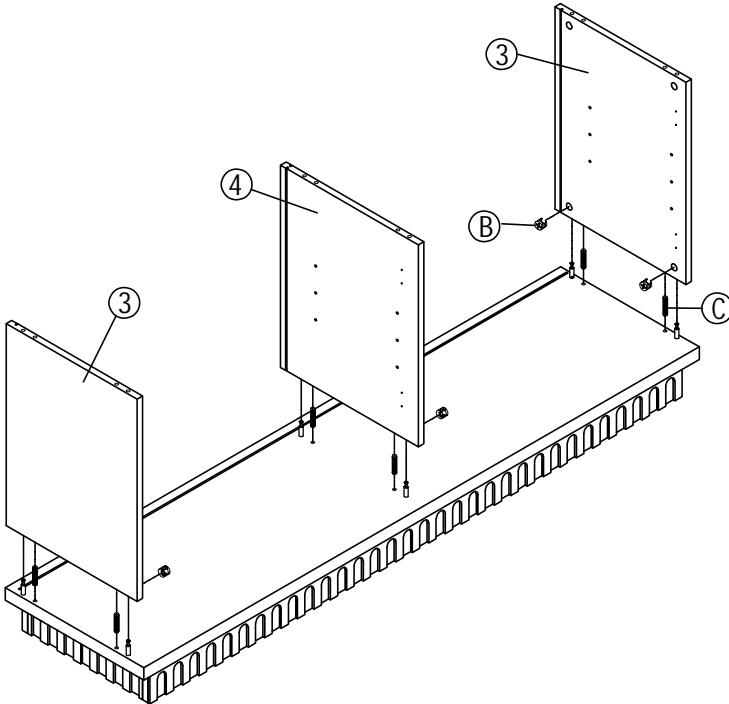
④ 1PC



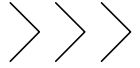
Ⓑ 6PCS



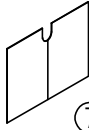
Ⓒ 6PCS



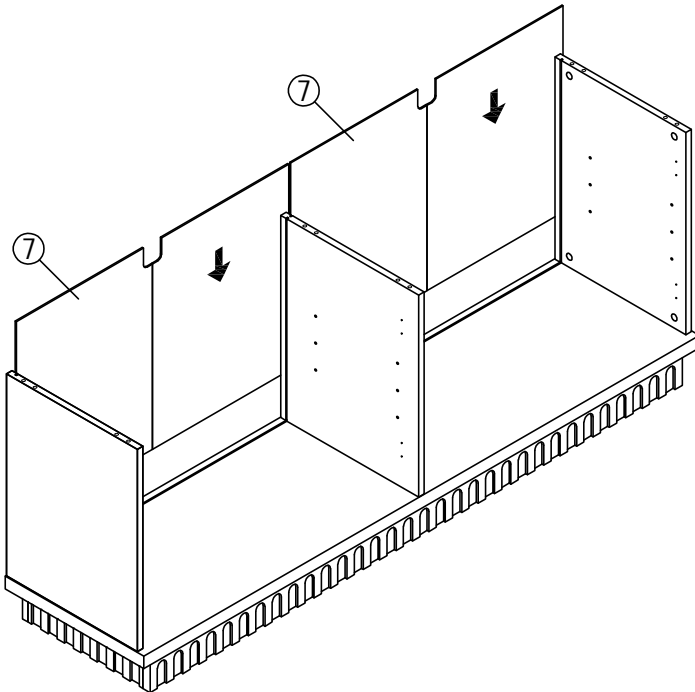
Assembly Instructions



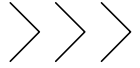
6



⑦ 2PCS



Assembly Instructions



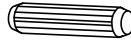
7



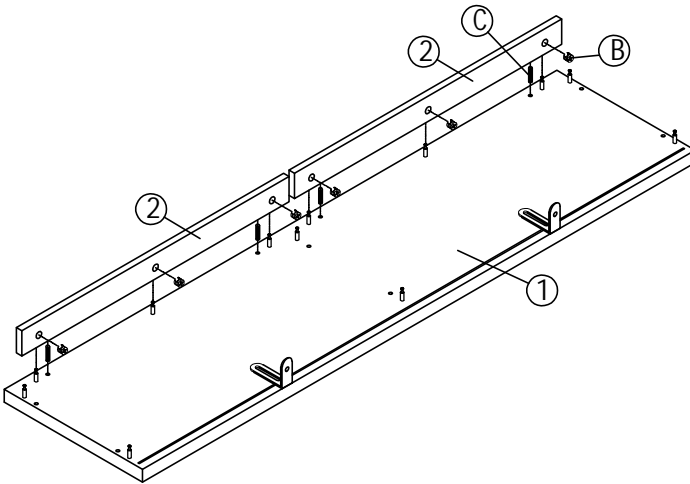
② 2PCS



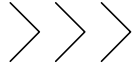
Ⓑ 6PCS



Ⓒ 4PCS



Assembly Instructions



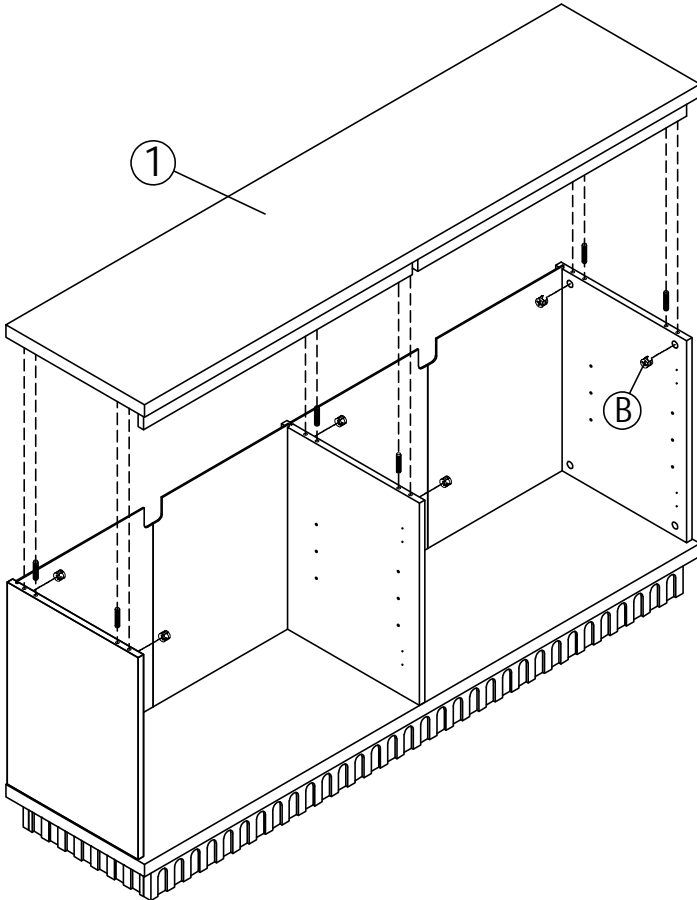
8



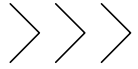
(B) 6PCS



(C) 6PCS



Assembly Instructions



9



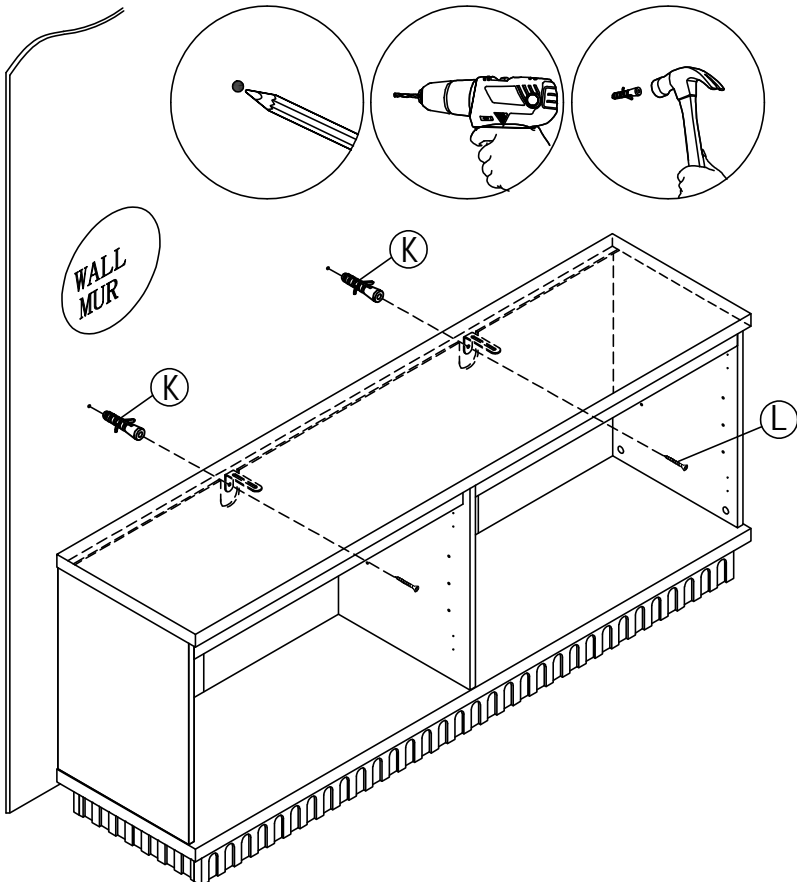
(K) 2PCS



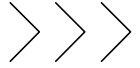
(L) 2PCS



Notes : Highly recommend you to secure the anti-tip accessories to wall to prevent the storage shelf tipping, avoiding injury and property damage.



Assembly Instructions



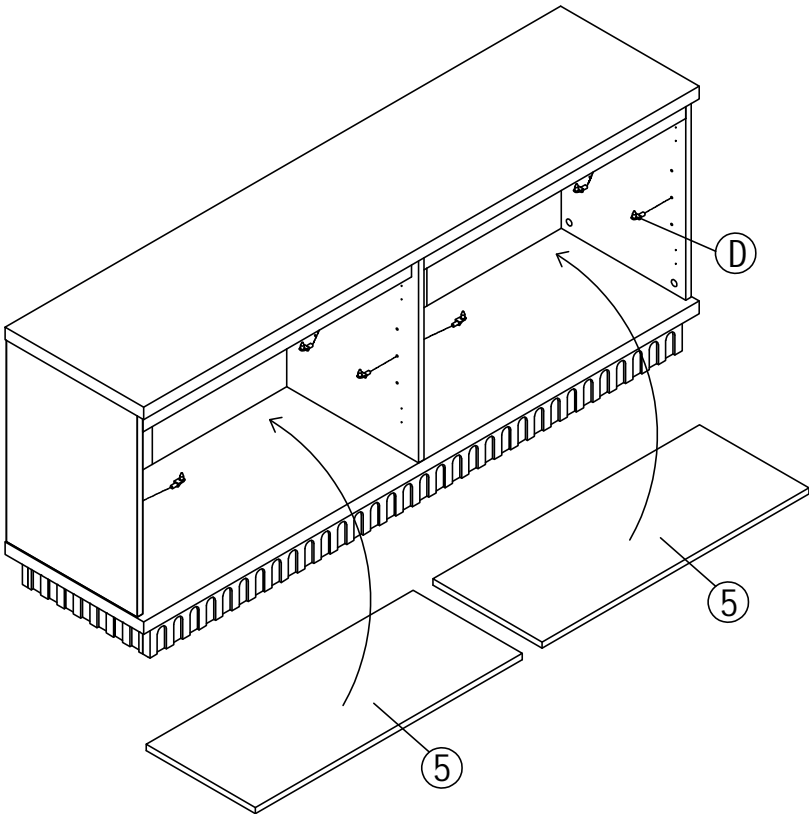
10



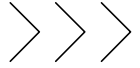
⑤ 2PCS



ⓓ 8PCS



Assembly Instructions



11



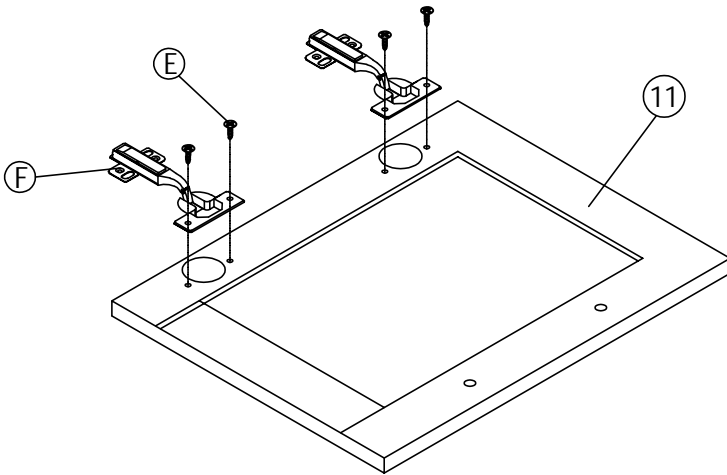
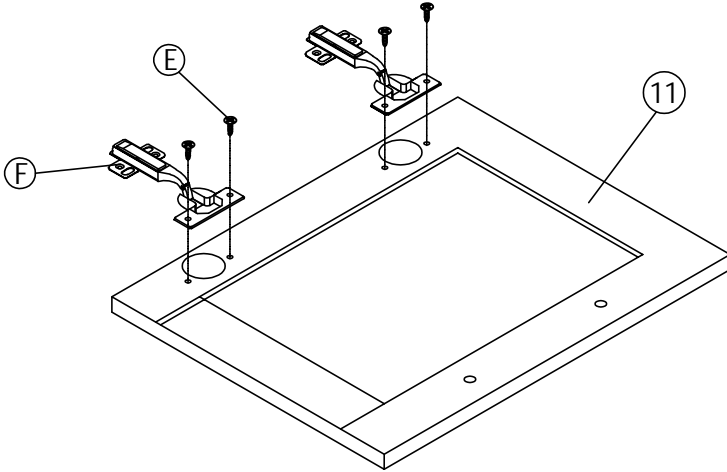
11 2PCS



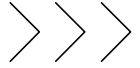
E 8PCS



F 4PCS



Assembly Instructions



12



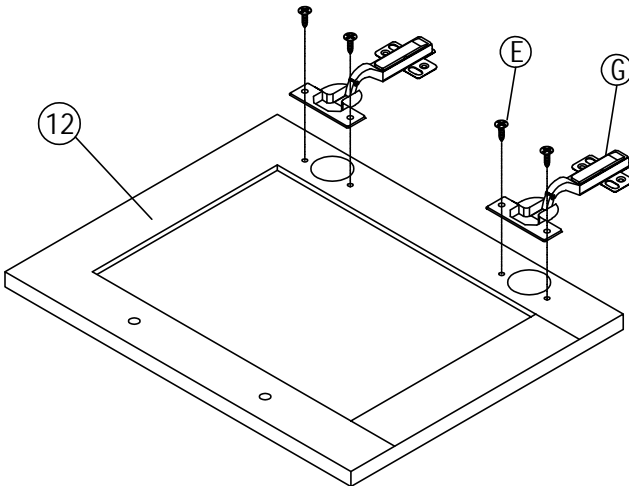
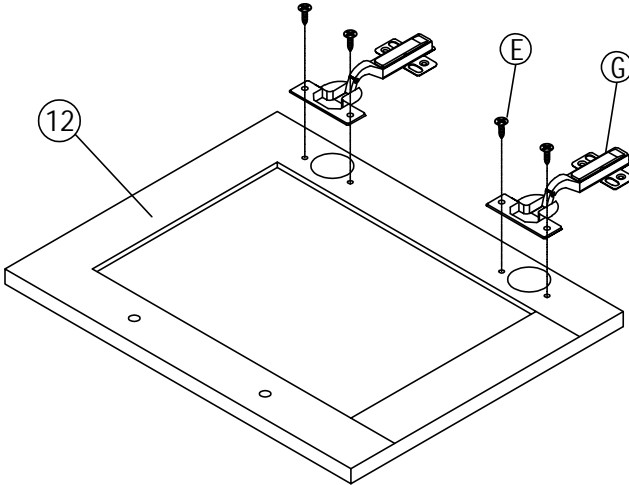
12 2PCS



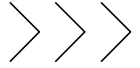
E 8PCS



G 4PCS



Assembly Instructions



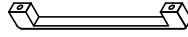
13



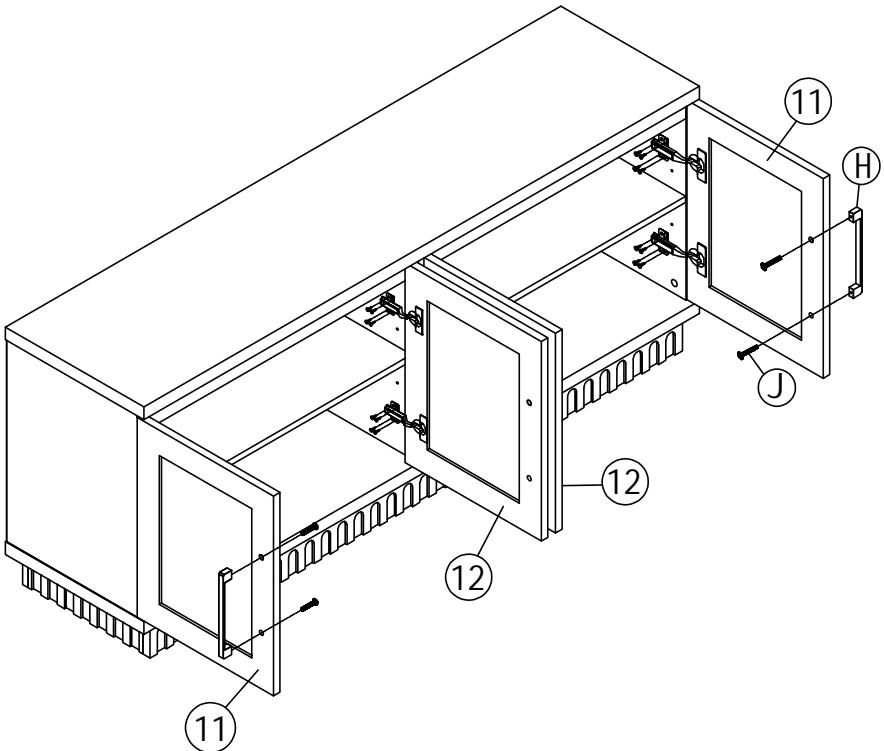
Ⓔ 32PCS

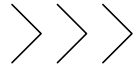


Ⓙ 8PCS



ⓓ 4PCS





OPTIONAL DOOR ADJUSTMENT

The cabinet doors have a three-way adjustment feature. Height, side-to-side, level & depth can be adjusted. With the hinge slightly closed you can access the middle screw for up/down adjustment. With the hinge fully extended you can access the front and back screws. These screws will move the door side to side and in & out.

