

Thank you for your purchase! It is our desire to make your entire experience from purchase to installation as easy as possible. We ask that you read each step of this installation manual thoroughly to ensure proper installation of your new Shelf. Our installation techniques are very important. Installing your Shelf in any manner other than the steps outlined in this manual may lead to structural failure of your Shelf.



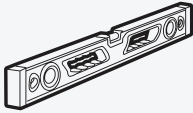
CAUTION

It is your responsibility to see that your Fab Glass Trophy Shelf is properly assembled, installed, and cared for. Failure to follow instructions in this manual could result in serious injury. Use this product with Shelf cautions.

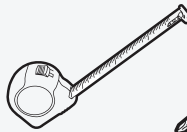
REQUIRED AND RECOMMENDED TOOLS



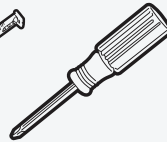
Drill/Driver



Level



Tape Measure



Screw Driver



Hammer



Lead Pencil

HARDWARE INCLUDED PER YOUR ORDER



Bracket
(Upper Part)



Bracket
(Lower Part)

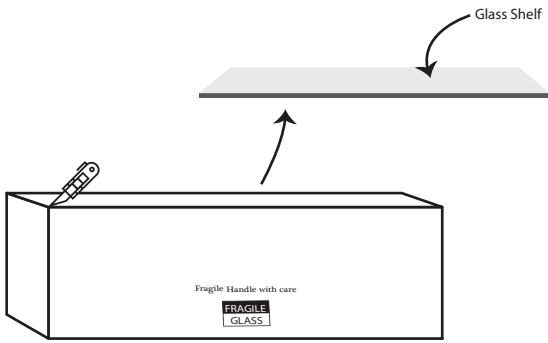


Anchor
(Qty - 2)



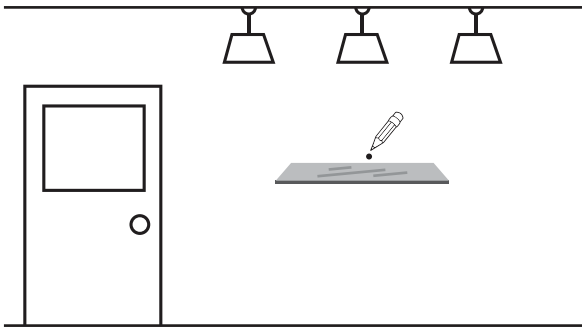
Screw
(Qty - 2)

1



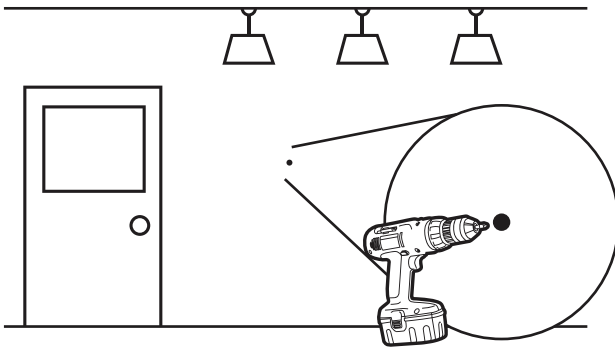
Take your Trophy Shelf out of the packaging.

2



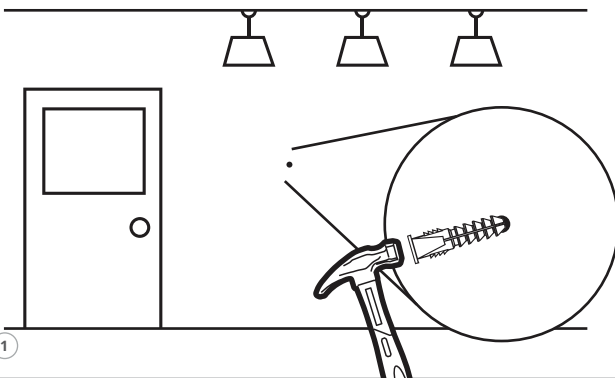
Place Shelf on wall you want to install and mark hole upper side of shelf.

3



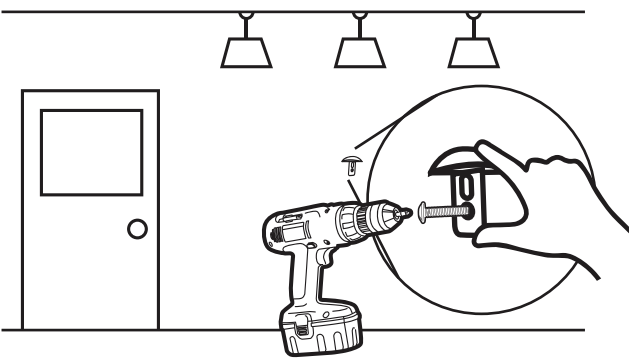
Now remove Shelf and drill the marked hole by drill machine.

4



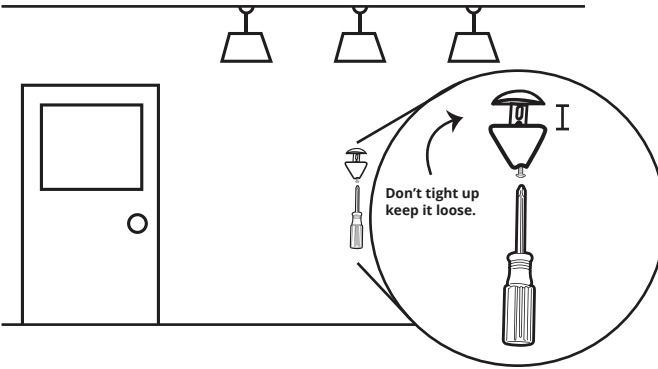
After drilling insert anchor in the hole by using hammer.

5



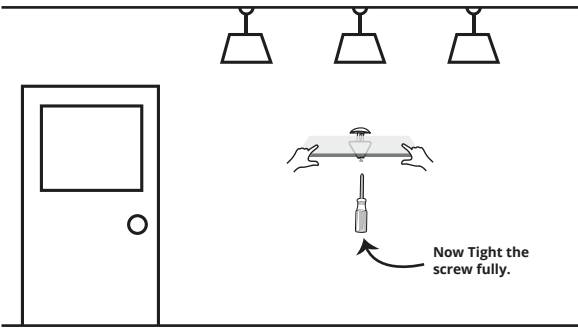
Now place the bracket upper part on anchor and insert screw through it's hole.

6



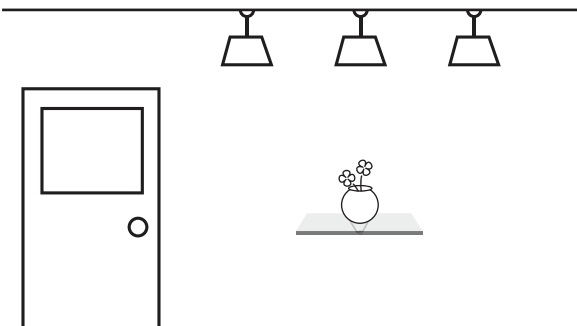
Insert the bottom part of bracket, Tight the screw with some space.

7



Insert the shelf and fully tight the screw and make sure that bracket tightly grip with shelf.

8



Congratulations!

You have successfully installed your Trophy Shelf.