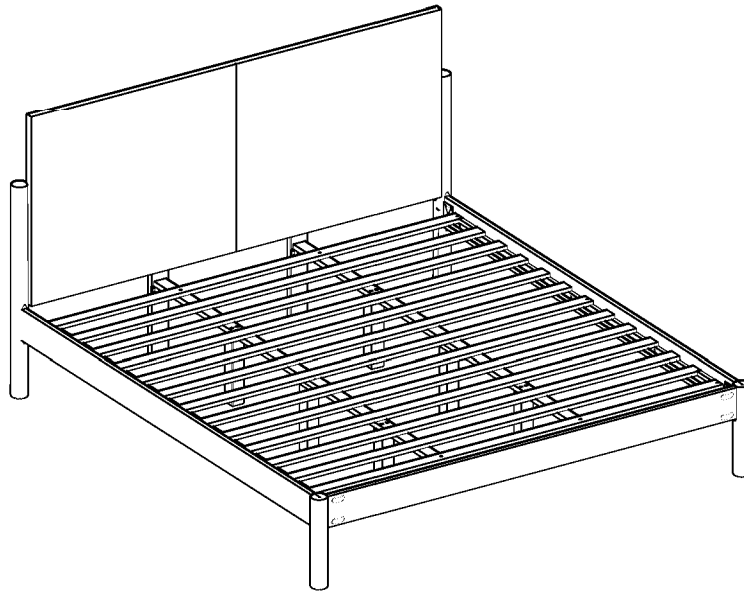
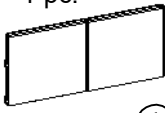


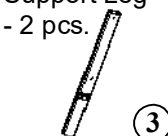

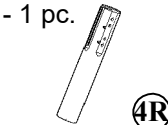



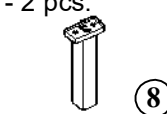
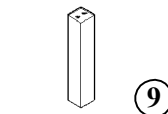
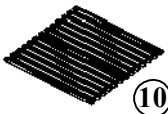



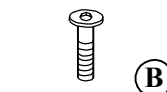
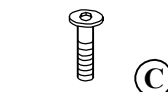






ASSEMBLY INSTRUCTIONS



COMPONENT

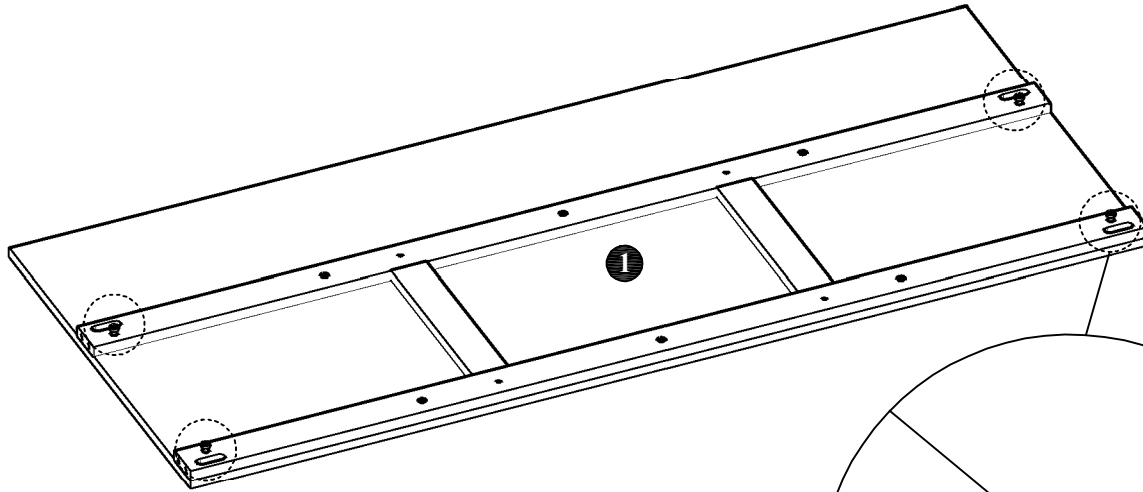
<p>Headboard - 1 pc.</p>  <p>①</p>	<p>Headboard Leg (Left) - 1 pc.</p>  <p>②L</p>	<p>Headboard Leg (Right) - 1 pc.</p>  <p>②R</p>	<p>Headboard Support Leg - 2 pcs.</p>  <p>③</p>	<p>Footboard Leg (Left) - 1 pc.</p>  <p>④L</p>	<p>Footboard Leg (Right) - 1 pc.</p>  <p>④R</p>	<p>Footboard - 1 pc.</p>  <p>⑤</p>	<p>Side Rail - 2 pcs.</p>  <p>⑥</p>
<p>Center Rail - 4 pcs.</p>  <p>⑦</p>	<p>Center Leg (Middle) - 2 pcs.</p>  <p>⑧</p>	<p>Center Leg - 4 pcs.</p>  <p>⑨</p>	<p>Slats - 13 pcs.(1set)</p>  <p>⑩</p>				

HARDWARE

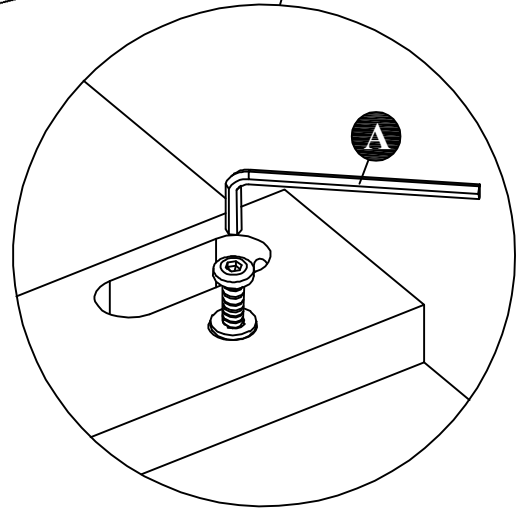
<p>Allen Key M4 (Long Ball Head) - 1 pc.</p>  <p>Ⓐ</p>	<p>JCBC Bolt M6 x 40mm - 16 pcs.</p>  <p>Ⓑ</p>	<p>JCBC Bolt M6 x 35mm - 4 pcs.</p>  <p>Ⓒ</p>	<p>JCBC Bolt M6 x 30mm - 4 pcs.</p>  <p>Ⓓ</p>	<p>Wood Dowel M8 x 30mm - 8 pcs.</p>  <p>Ⓔ</p>	<p>Wood Screw M3.5 x 16mm - 4 pcs.</p>  <p>Ⓕ</p>	<p>Wood Screw M4 x 25mm - 10 pcs.</p>  <p>Ⓖ</p>	<p>M6 Spring Washer - 8 pcs.</p>  <p>Ⓗ</p>
<p>M6 Flat Washer (Small) - 4 pcs.</p>  <p>Ⓘ</p>							

ASSEMBLY INSTRUCTIONS

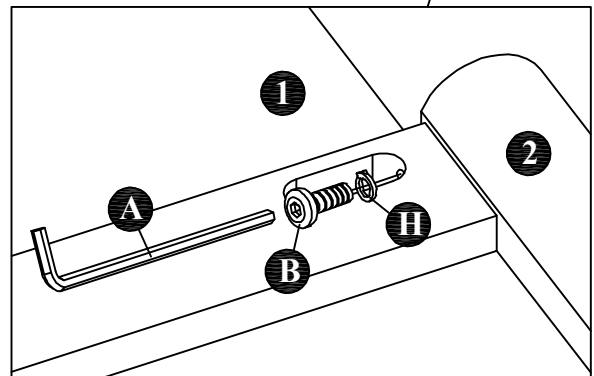
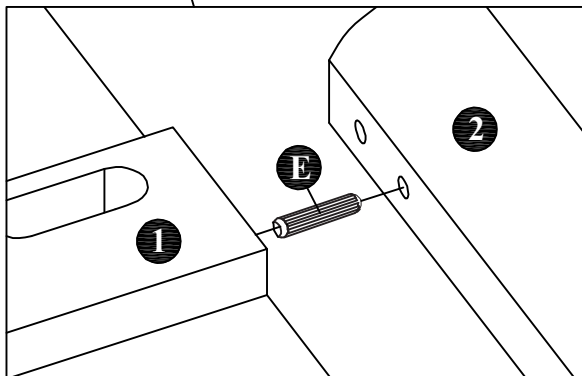
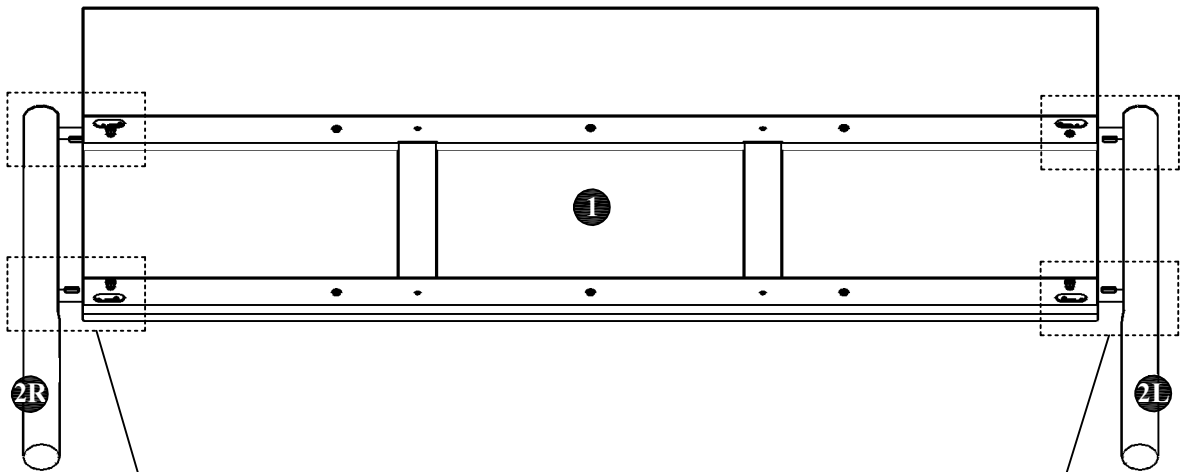
STEP 1 :



**Loose the 4 side
Pre-installed bolt first**

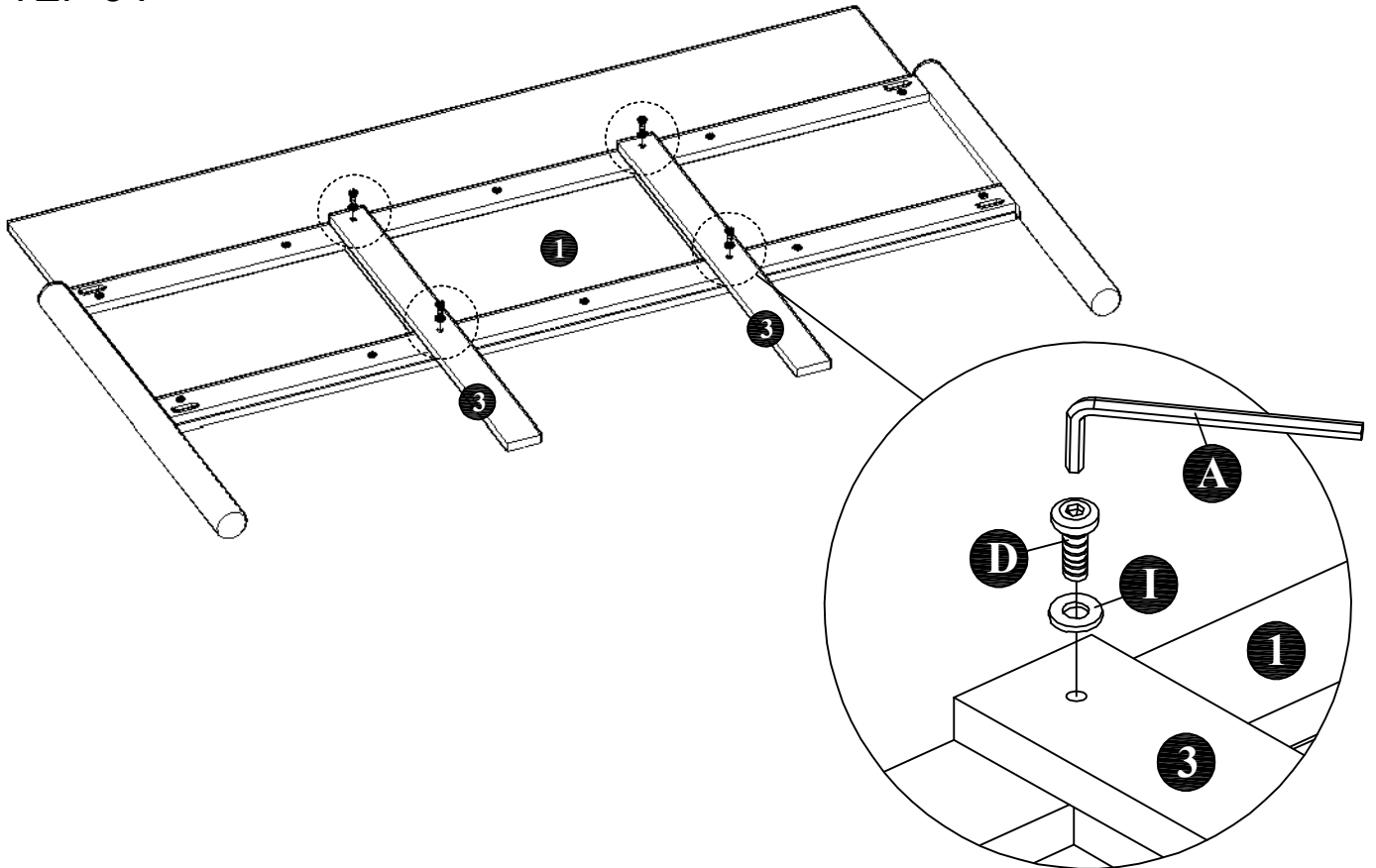


STEP 2 :

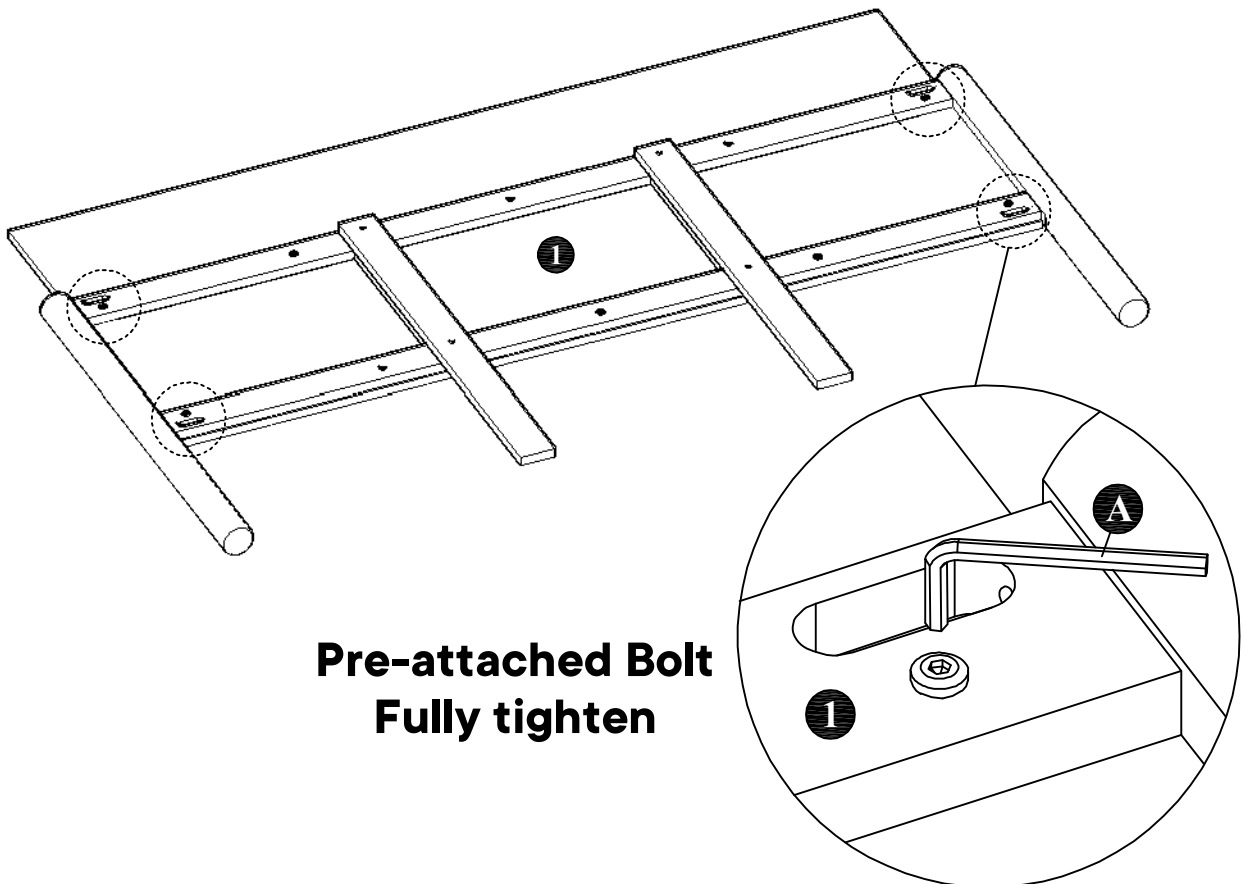


ASSEMBLY INSTRUCTIONS

STEP 3 :

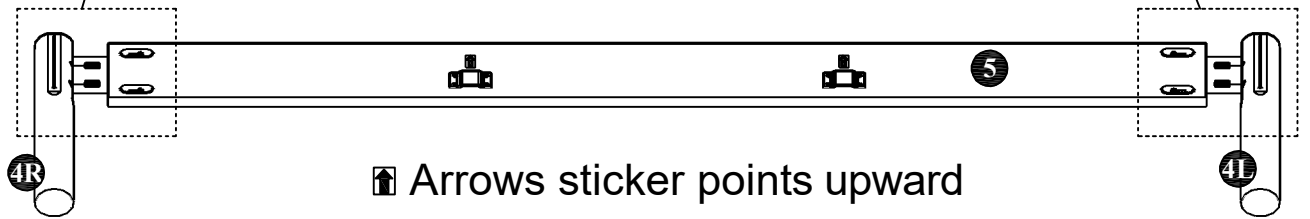
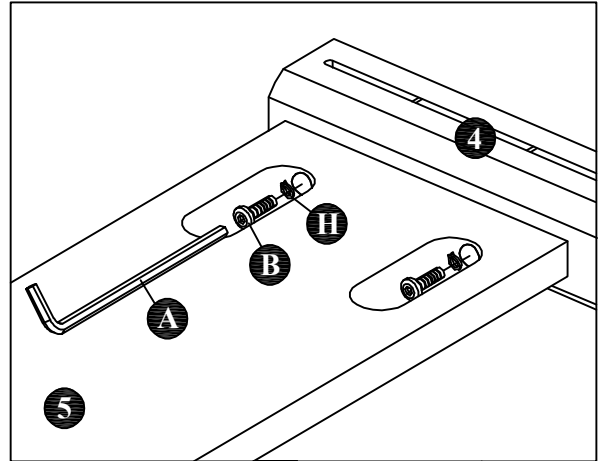
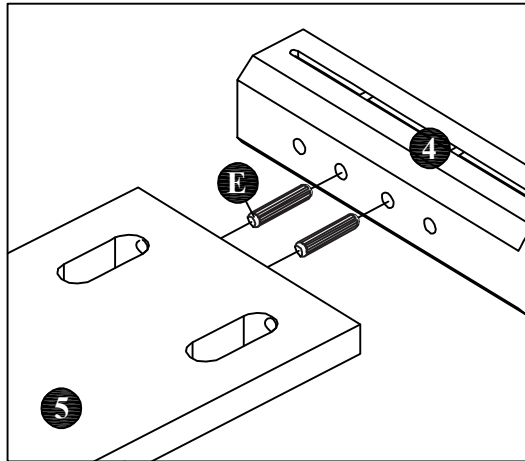


STEP 4 :



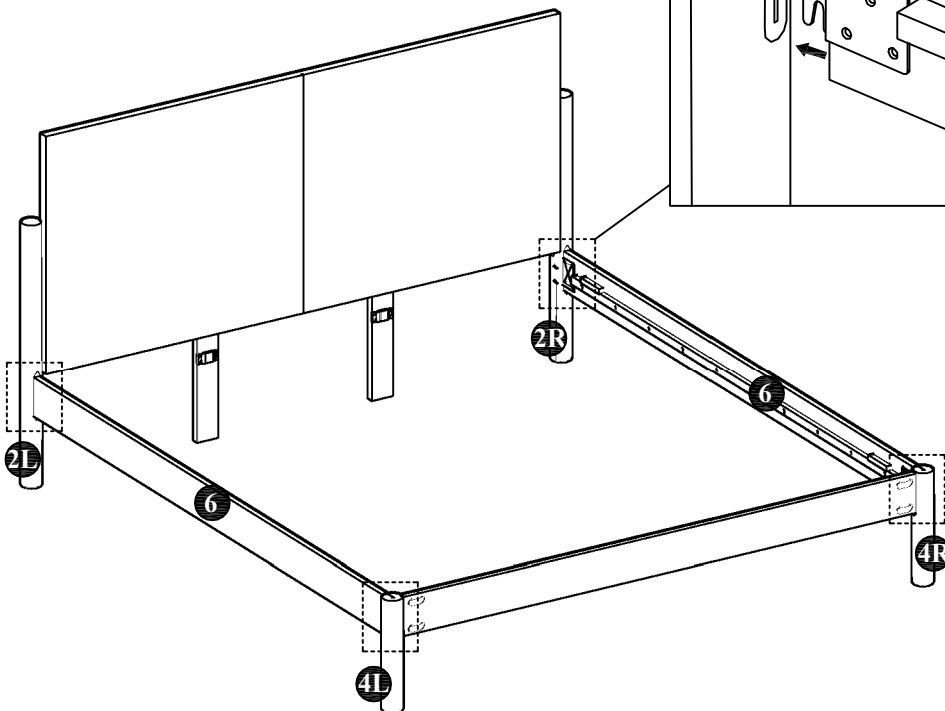
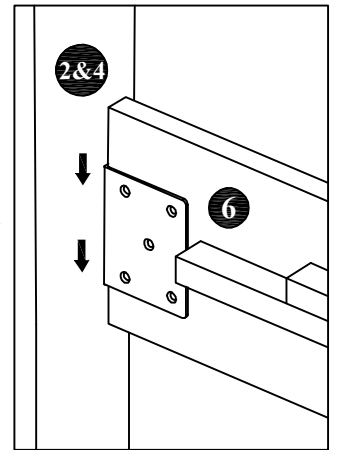
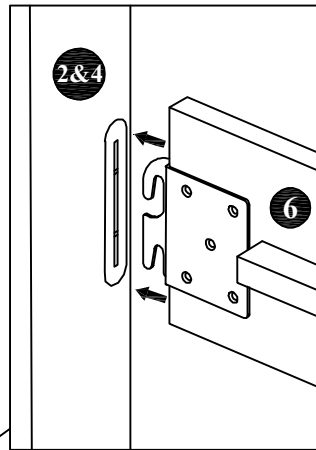
ASSEMBLY INSTRUCTIONS

STEP 5 :



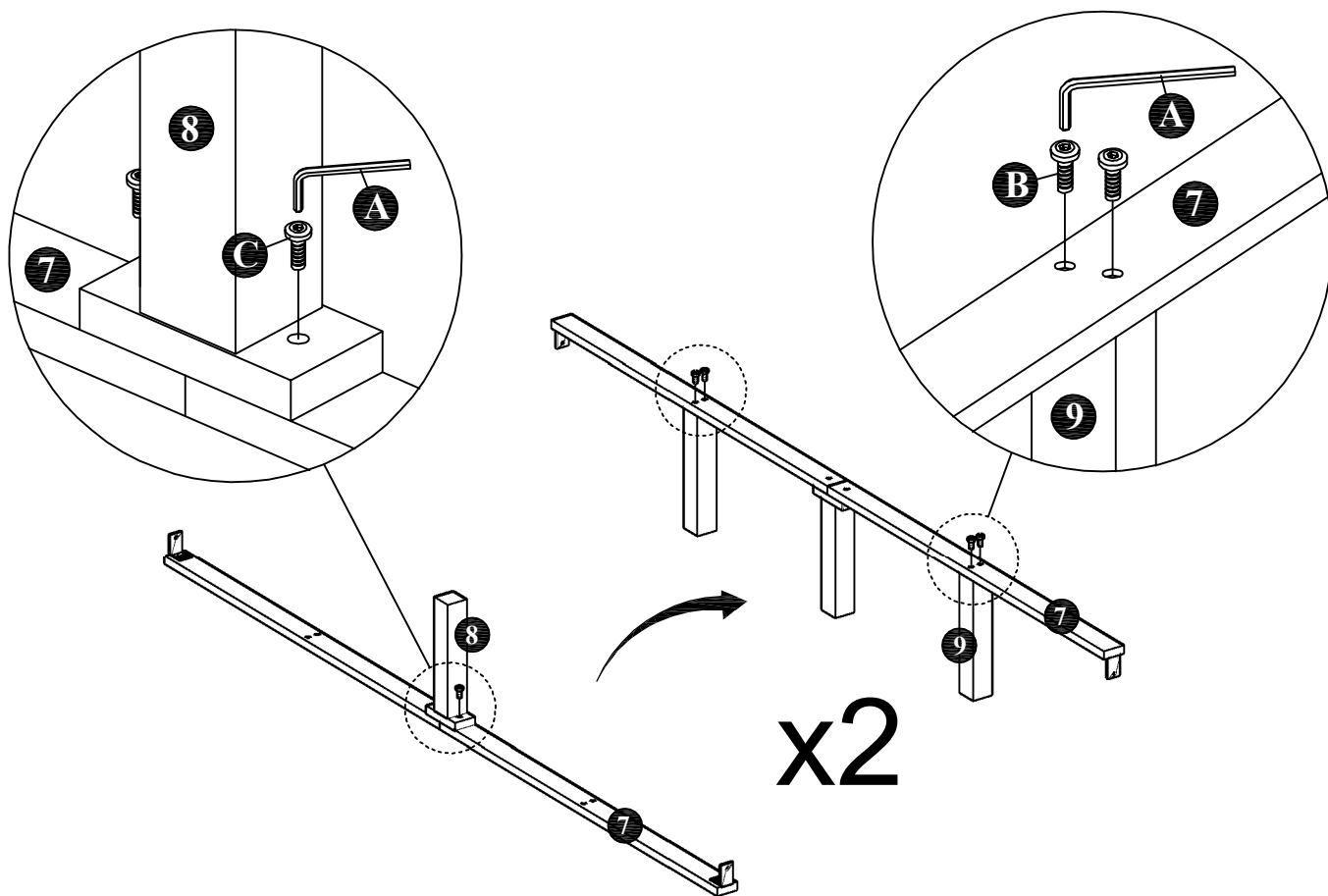
↑ Arrows sticker points upward

STEP 6 :

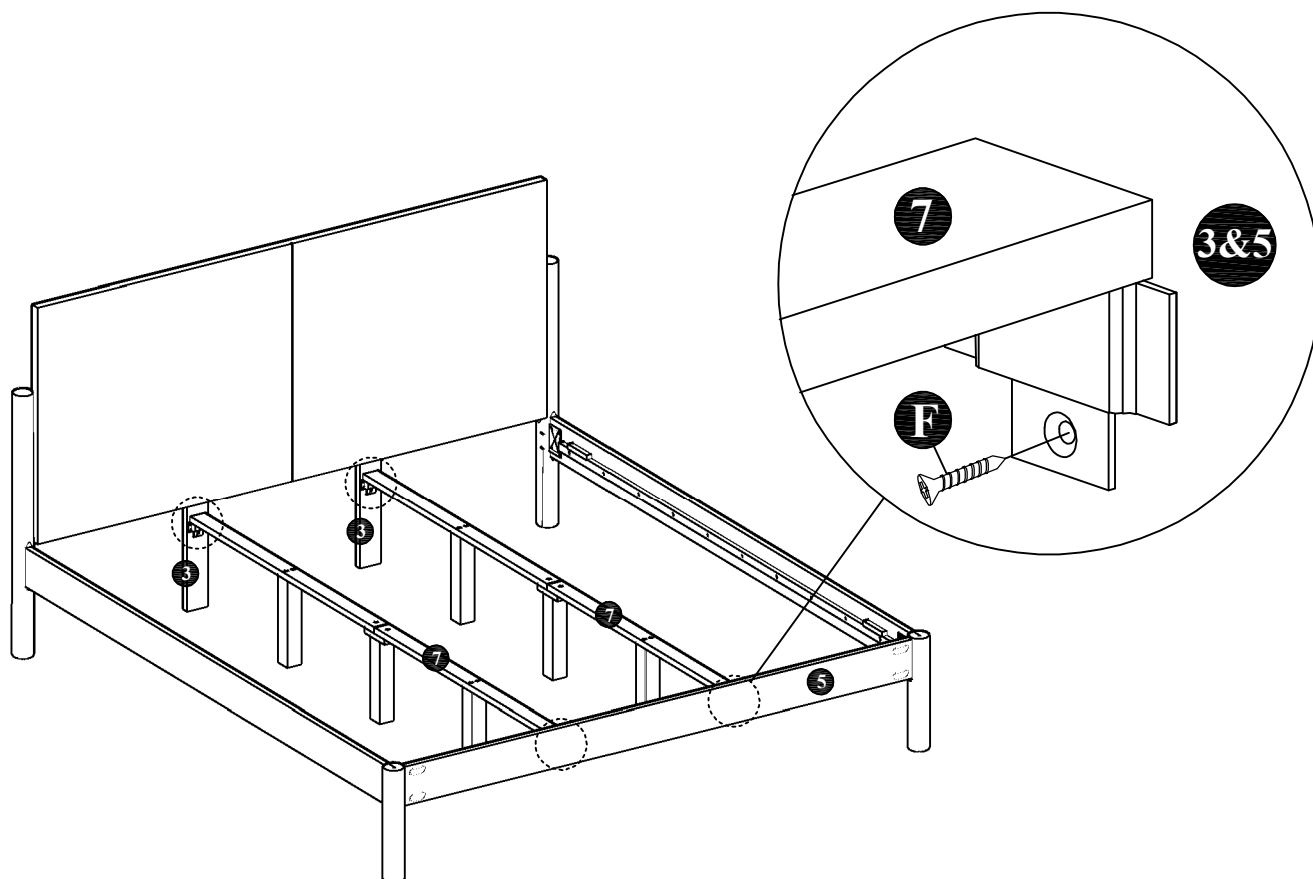


ASSEMBLY INSTRUCTIONS

STEP 7 :

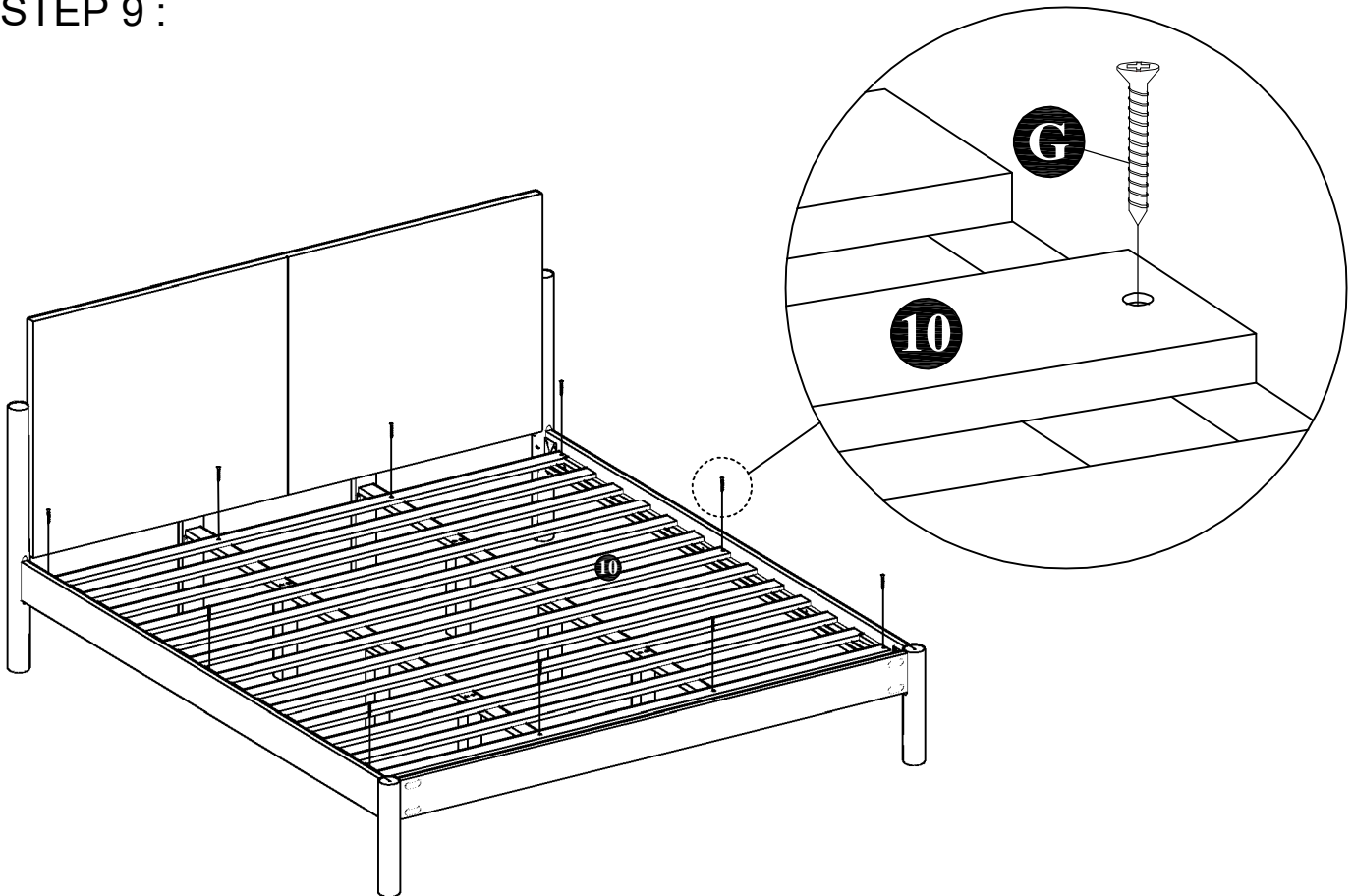


STEP 8 :



ASSEMBLY INSTRUCTIONS

STEP 9 :



COMPLETE VIEW

IMPORTANT

Please lift up the bed to move
with 2 or more people.

DO NOT DRAG THE BED!

