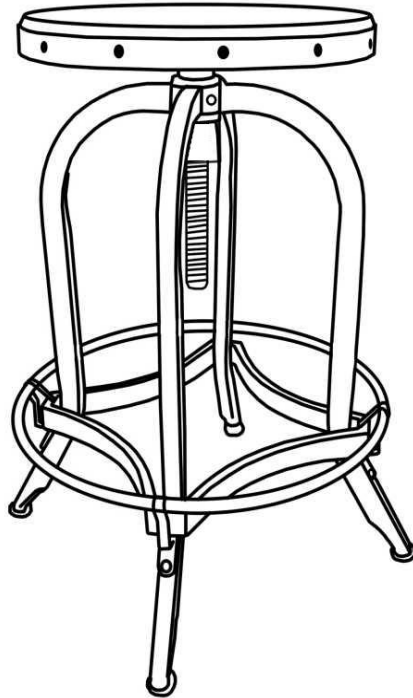


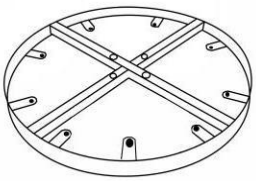
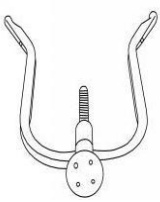
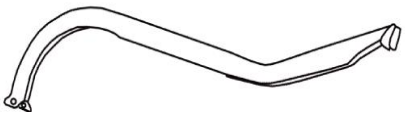
# Assembly Instructions

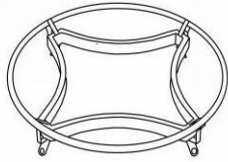
Caution : You must read this before you proceed

## Barstool

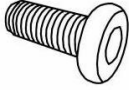
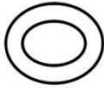
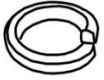
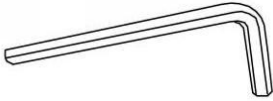
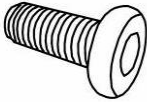
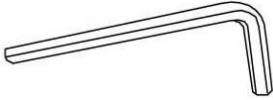
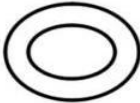
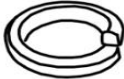



### Parts List

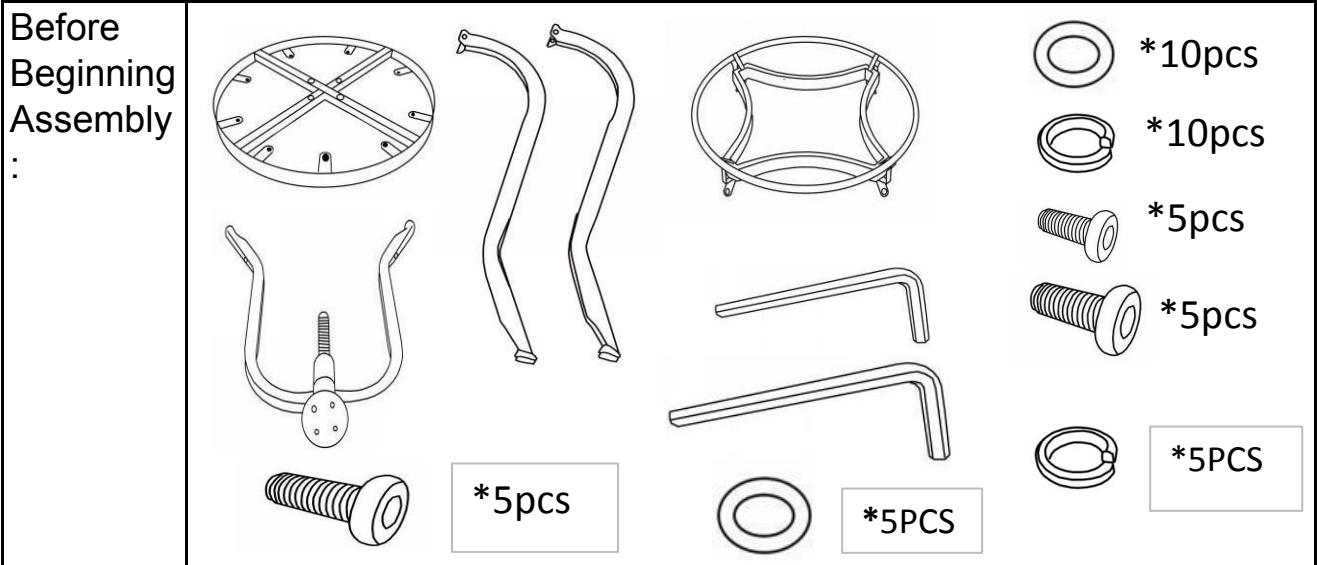
Label	Picture	Description	QTY
A		Barstool Seat	1
B		Barstool Leg Frame with Thread Rod	1
C		Barstool Leg	2

D		Footrest	1
---	--	----------	---

## Hardware

Label	Picture	Description	QTY
①		Bolt(M6*16mm)	5
②		Washer(M6)	10
③		Spring Washer(M6)	10
④		Allen Wrench(M6)	1
⑤		Bolt(M8*16mm)	5
⑥		Allen Wrench(M8)	1
⑦		Washer(M8)	5
⑧		Spring Washer(M8)	5
⑨		Bolt(M6*20mm)	5

## Assembly Preparation



- Read instructions, cover to cover-



- Have 2 adults on hand for assembly-



- Do not assemble on flooring or carpet-



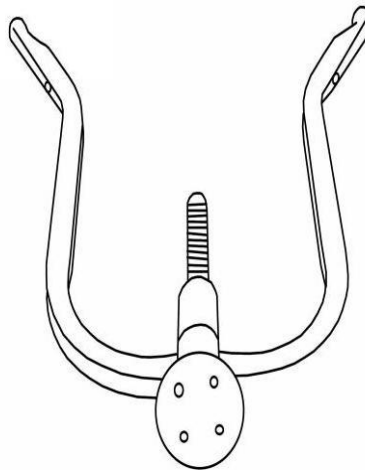
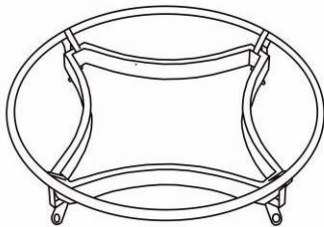
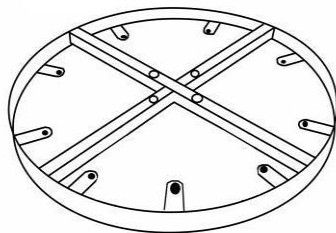
- Assemble on a clean non-marring surface (packing foam)-



- Save all packaging until finished-

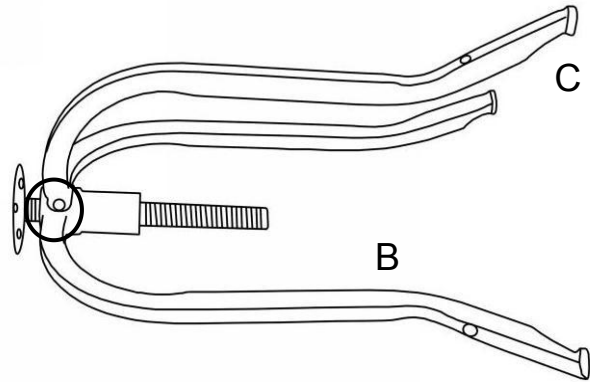
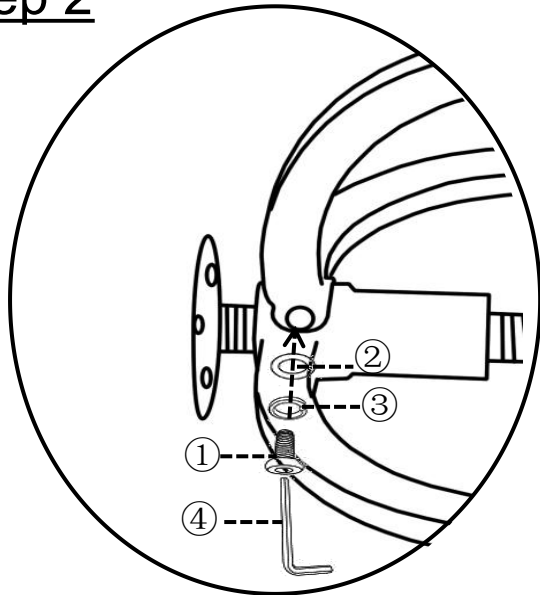
## Assembly Steps

### Step 1



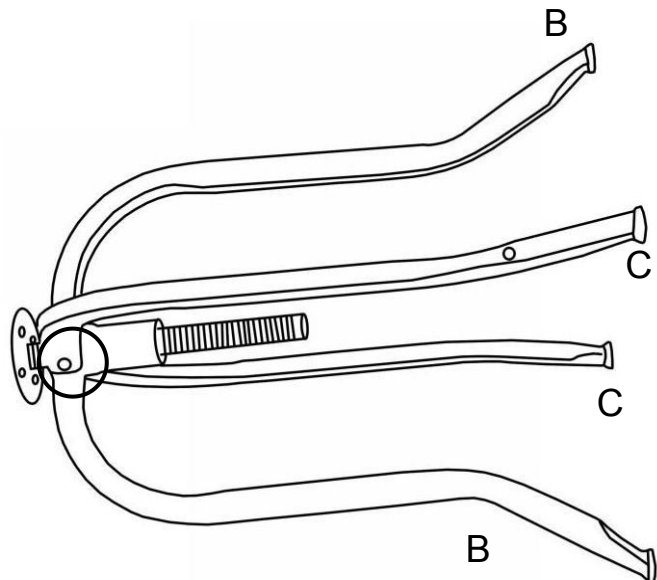
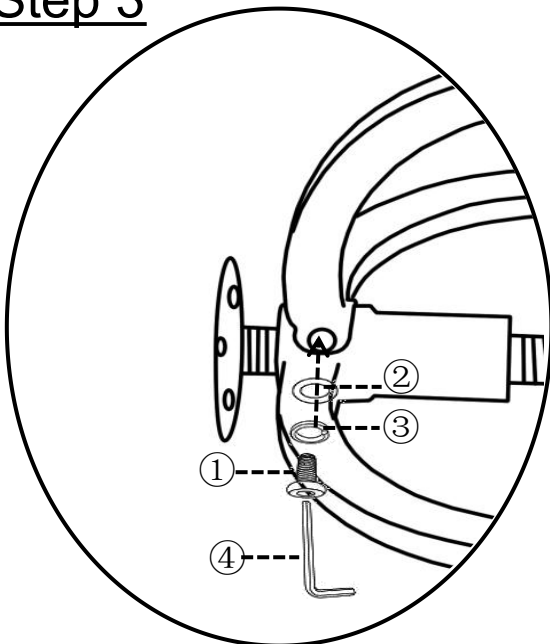
Place the above components on a clean and soft surface.

## Step 2



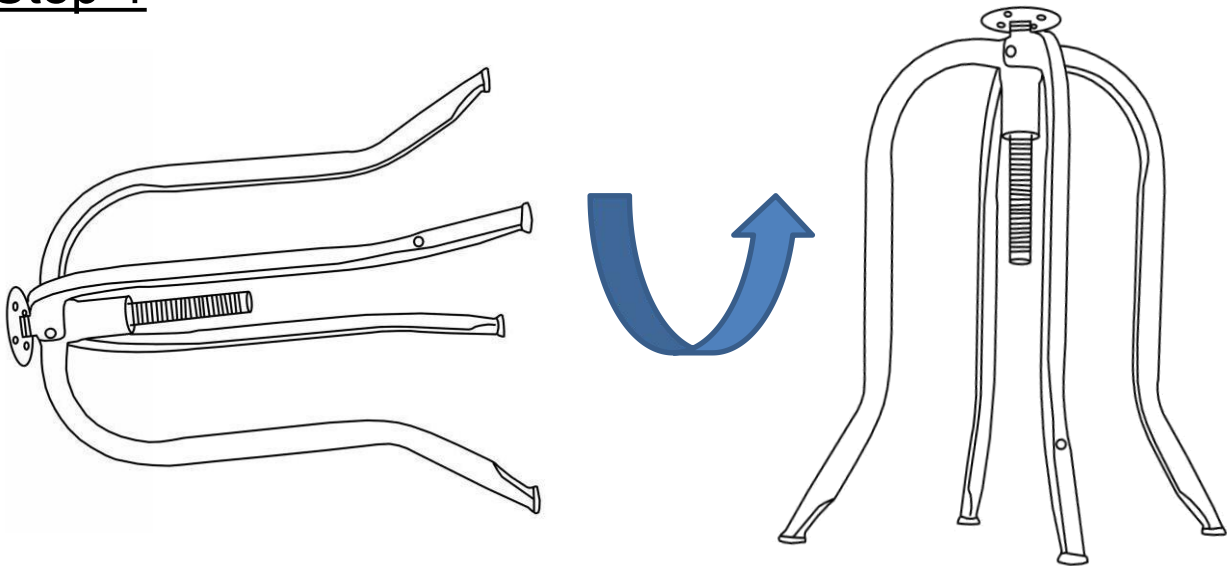
Attach the Barstool Leg(C) to the Barstool Leg frame with the Thread Rod(B) using the Bolts(1) ,Washers(2) and Spring Washers(3) with the Allen Wrench(4), then bolt in the other side of the Barstool Leg(C).  
Do not fully tighten the bolts.

## Step 3



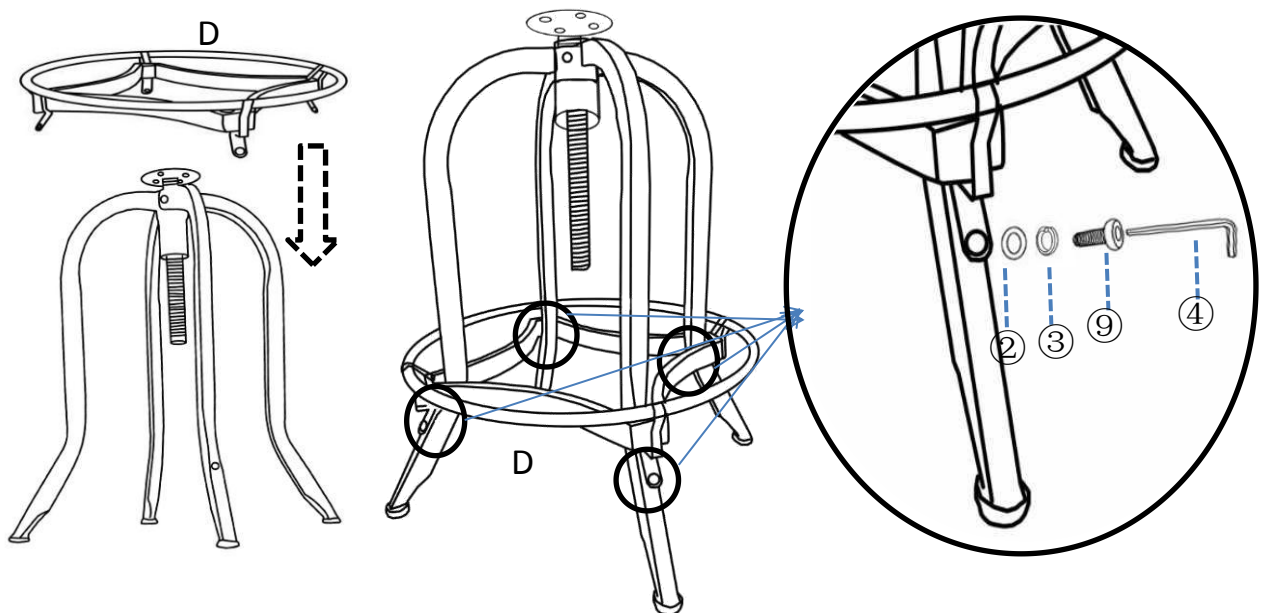
Repeat Step 2 to assemble the other Barstool Leg(C) to the Barstool Leg frame with the Thread Rod (B) using the Bolts(1) ,Washers(2) and Spring Washers(3) with the Allen Wrench(4), then bolt in the other side of the Barstool Leg(C).  
Do not fully tighten the bolts.

## Step 4



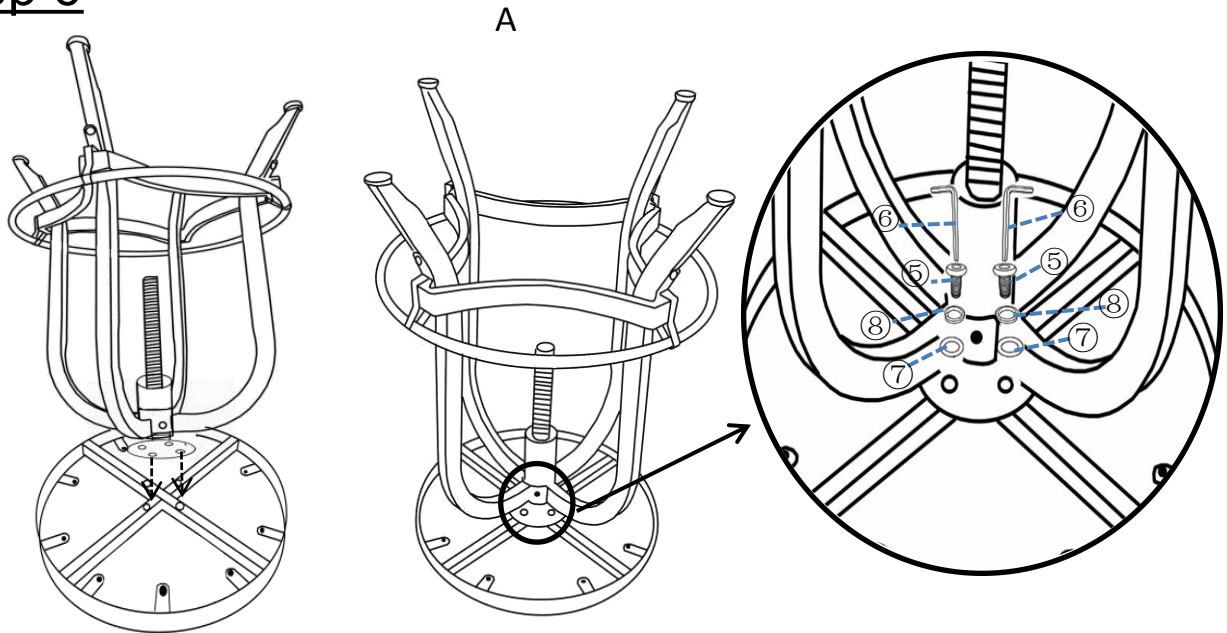
Stand up the assembled Barstool frame as shown above.

## Step 5



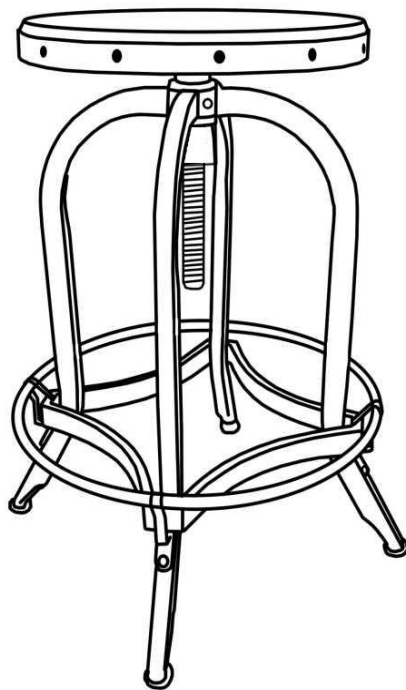
Attach the Footrest(D) to the assembled Barstool frame(B.C) using the Bolts(⑨), Washers(②) and Spring Washers(③) with the Allen Wrench(④). Tighten all bolts sequentially.

## Step 6



Attach the Barstool Seat(A) to the assembled Barstool frame(B.C.D) using the Bolts(⑤), Washers(⑦) and Spring Washers(⑧) with the Allen Wrench(⑥) . Tighten all bolts.

## Step 7



Your barstool is ready to use.  
This Barstool can only be used on a flat, level surface.

## Care & Maintenance



- Furniture may scratch floors. We recommend using furniture pads to protect your floors.



- Do not put hot items directly on furniture surface.



- Do not clean furniture with harsh cleansers or polish.



- Do not place furniture under direct sunlight.



- Do not place furniture near heating or cooling vents.



- Do not write on furniture without a padded barrier to protect the surface.



- Do not place furniture outside . For indoor use only.



- Not for commercial use. For residential use only.



- Stains may be removed with mild soap solution and damp cloth.



- Children should not climb or jump on the furniture.



- Dust and pick-up spills using a clean, non-colored, lint-free cloth.